

**This Manual Must be Read Before Operating The Equipment**

# **Owner/Operator's Manual**



**INNOVATIVE TURF SOLUTIONS**

**FOR MODEL**

**TS-65/TS-65SS**



**CUSTOMER COPY**

Madison Heights, Michigan 48071  
800-725-8377  
[www.turfexproducts.com](http://www.turfexproducts.com)

# Table of Contents



General Information .....	3
Introduction .....	4
Safety .....	5
Spreader Assembly Instructions .....	6-7
Operating Instructions .....	8
Spreader Maintenance .....	9
Calibration .....	10-11
Warranty .....	12
Assembly Views .....	13
Hopper Assembly Parts Breakdown	
Model# TS-65/TS-65SS .....	14-15
Handle Assembly Parts Breakdown	
Model# TS-65 .....	16-17
Axle Assembly Parts Breakdown	
Model# TS-65 .....	18-19
Handle Assembly Parts Breakdown	
Model# TS-65SS .....	20-21
Axle Assembly Parts Breakdown	
Model# TS-65SS .....	22-23
Notes .....	24-25

**Have a question or need assistance?**

**TurfEx Customer Care**

**(866) 5TURFEX**

**or (248) 586-3500**

**Monday through Friday 8:00 AM to 4:30 PM EST**

**Fax: (248) 691-8378**

**E-Mail: [customercare@trynexusfactory.com](mailto:customercare@trynexusfactory.com)**

**Website: [www.turfexproducts.com](http://www.turfexproducts.com)**

# General Information



## CONGRATULATIONS!

The Turfex product you have purchased is an example of turf management product at its finest! Your Turfex product 's, self contained design is a trademark of all Turfex products. Here's why...

**SIMPLICITY:** Fewer moving parts manufactured of higher quality means minimal maintenance for your Turfex product.

**RELIABILITY:** High impact linear low density polyethelyne hopper, custom engineered powder coated or stainless steel frame.

**VERSATILITY:** Multi-use capabilities allows spreading of a variety of materials.

**WARRANTY:** Two years parts and labor from date of installation.

The benefits you are about to recognize are that of time, money and effort.  
We welcome you to the world of Turfex Performance.

## Registration

Record the following information in this manual for quick reference.

Spreader Model Number \_\_\_\_\_

Spreader Serial Number \_\_\_\_\_

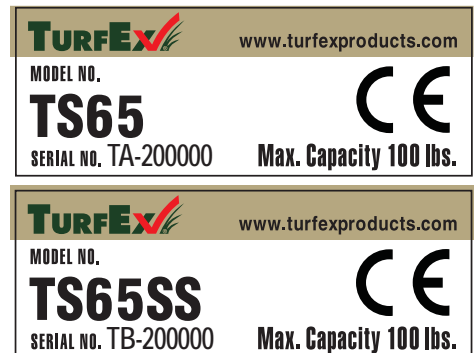
Date of Purchase \_\_\_\_\_

Dealer Where Purchased \_\_\_\_\_

When ordering parts, the above information is necessary. This will help to insure that you receive the correct parts.

At the right is a diagram of the ID tag. This tag is located on the frame (where applicable).

Please fill out the warranty card with all the necessary information to validate it. This will also give us a record so that any safety or service information can be communicated to you.



This manual has been designed for your help. It will assist you and instruct you on the proper set-up, installation and use of this spreader.

Refer to the table of contents for an outline of this manual.

We require that you read and understand the contents of this manual completely (especially all safety information) before attempting any procedure contained herein. Extra copies of Owner/Operator Manuals can be purchased at your Turfex Dealer.



**THIS SIGN SHOULD ALERT YOU:**

The Society of Automotive Engineers has adopted this **SAFETY ALERT SYMBOL** to pinpoint characteristics that, if **NOT** carefully followed, can create a safety hazard. When you see this symbol in this manual or on the machine itself, **BE ALERT!** Your personal safety and the safety of others is involved.

Defined below are the **SAFETY ALERT** messages and how they will appear in this manual:



**DANGER**

(RED)

Information that, if not carefully followed, can cause death!



**WARNING**

(ORANGE)

Information that, if not carefully followed, can cause serious personal injury or death!



**CAUTION**

(YELLOW)

Information that, if not carefully followed, can cause minor injury or damage to equipment



Before attempting any procedure in this book, these safety instructions must be read and understood by all workers who have any part in the preparation or use of this equipment.

For your safety warning and information decals have been placed on this product to remind the operator of safety precautions . If anything happens to mark or destroy the decals, please request new ones from TurfEx.



Remember, most accidents are preventable and caused by human error. Exercising of care and precautions must be observed to prevent the possibility of injury to operator or others!

Never operate equipment when under the influence of alcohol, drugs, or medications that might alter your judgment and/or reaction time.

Before working with the spreader, secure all loose fitting clothing and unrestrained hair.

Always wear safety glasses with side shields when servicing spreader. Failure to do this could result in serious injury to the eyes.

Never attempt to lift a unit with material in it.

Never allow children to operate or climb on equipment.

Always check areas to be spread to be sure no hazardous conditions or substances are in the area.

Always inspect unit for defects: broken, worn or bent parts, weakened areas on spreader.

Remember it is the owner's responsibility to communicate information on safe usage and proper maintenance of all equipment.

Always make sure personnel are clear of areas of danger when using equipment.

Never weld or grind on equipment without having a fire extinguisher available.

Inspect the unit periodically for defects. Parts that are broken, missing or worn out must be replaced immediately. The unit or any part of it can not be altered without prior written permission from the manufacturer.



Never use wet materials or materials with foreign debris with any of these spreaders. These units are designed to handle dry, clean, free flowing material.

Never leave material in hopper for long periods of time. Be aware that all fertilizers are hygroscopic and will attract atmospheric moisture and harden up.

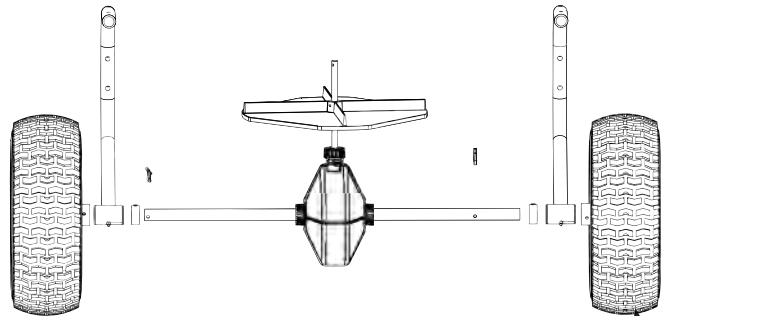
# Spreader Assembly Instructions



TS-65/TS-65SS

## Step 1: Assemble Axle Assembly

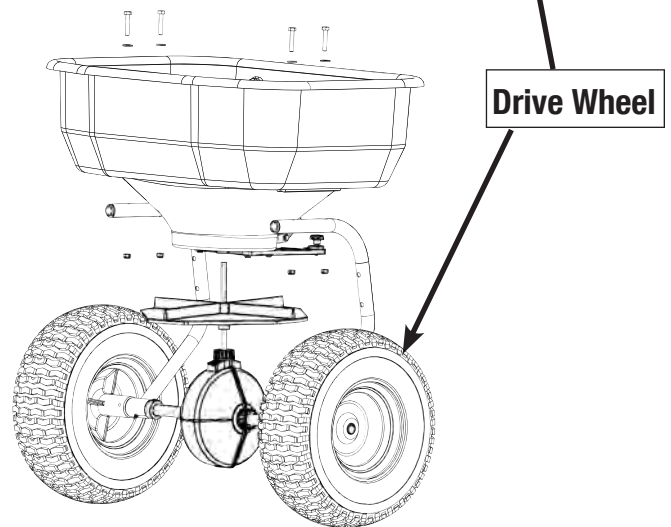
- A) Slide shaft collars onto axle toward gear housing.
- B) Slide hopper frame onto axle through bushings.
- C) Assemble wheels to axle with long cotter key through drive wheel and the short cotter key outside free wheel through axle.
- D) Snug up axle collars to frame and tighten. Make sure axle spins freely.



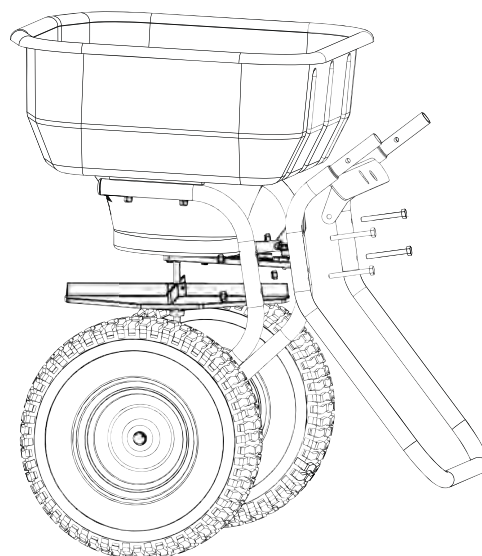
## Step 2: Assemble Hopper to Frame

- A) Insert spinner shaft through hole in bottom of hopper.
- B) Assemble hopper to frame with (4) bolts (NOTE: do not tighten).

**IMPORTANT - MAKE SURE THAT THE DRIVE WHEEL IS ON THE LEFT WHEN THE SPREADER IS BEING PUSHED OTHERWISE THE SPINNER WILL SPIN CLOCKWISE THUS MAKING THE SPREAD PATTERN INEFFECTIVE.**



- Step 3: Assemble leg to hopper frame with (4) bolts (NOTE: do not tighten). Then attach linkage to frame stand. (see image below)



# Spreader Assembly Instructions (con't)



TS-65/TS-65SS

Step 5: Assemble handle assembly to leg

A) Slide handle onto leg and fasten with (2) bolts.

(see figure1)

B) Insert rod into upper control handle. (see figure 2)

C) Insert rod end into gate linkage and lock in place with hair pin clip (see figure 3)

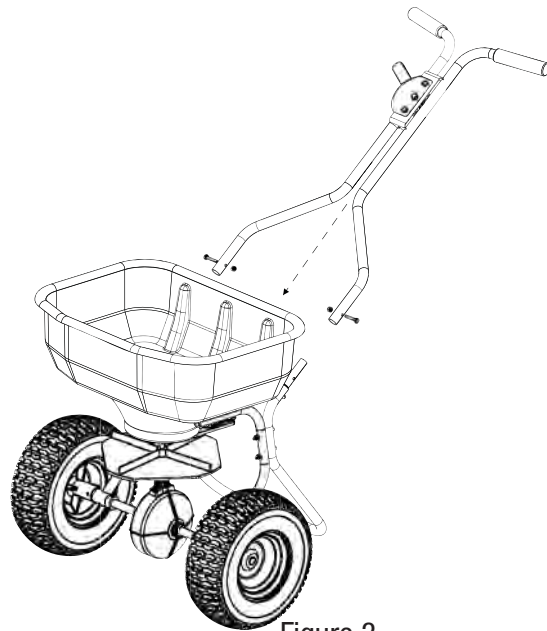


Figure 1



Figure 2

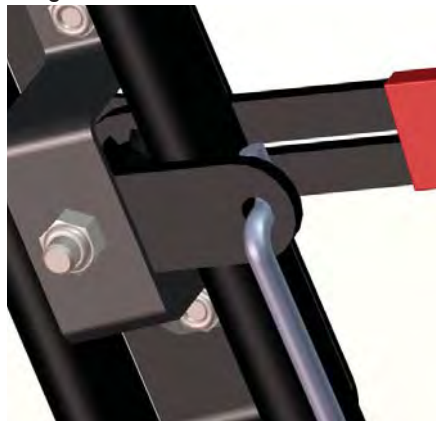


Figure 3



Step 6: Spin tires and make sure spreader is running smoothly.

Step 7: Tighten all bolts.

Step 8: Attach material stir wire to spinner shaft inside hopper.  
Place screen inside hopper put hopper cover on.

# Operating Instructions



TS-65/TS-65SS

## SPREADER LOADING

Capacity: 1 1/2 Cubic Ft Hopper

WARNING – Do not overload spreader. Weights of material are an average for dry materials.

<u>Material</u>	<u>Weight Per Cubic Ft.</u>
-----------------	-----------------------------

Fertilizer	See product information on bag or bulk materials that you are using
------------	---

- Warning – Never remove spreader from vehicle with material in it as this could cause damage to the frame assembly.
- Warning – Never leave materials in hopper for long periods of time, fertilizers are hygroscopic and will attract atmospheric moisture and harden up.

## SPREADING TIPS

- For a wider pass, increase walking pace.
- For a heavier pass, walk slower .
- Use care when operating spreader near pedestrians.
- Calculate spread pattern when near vegetation.

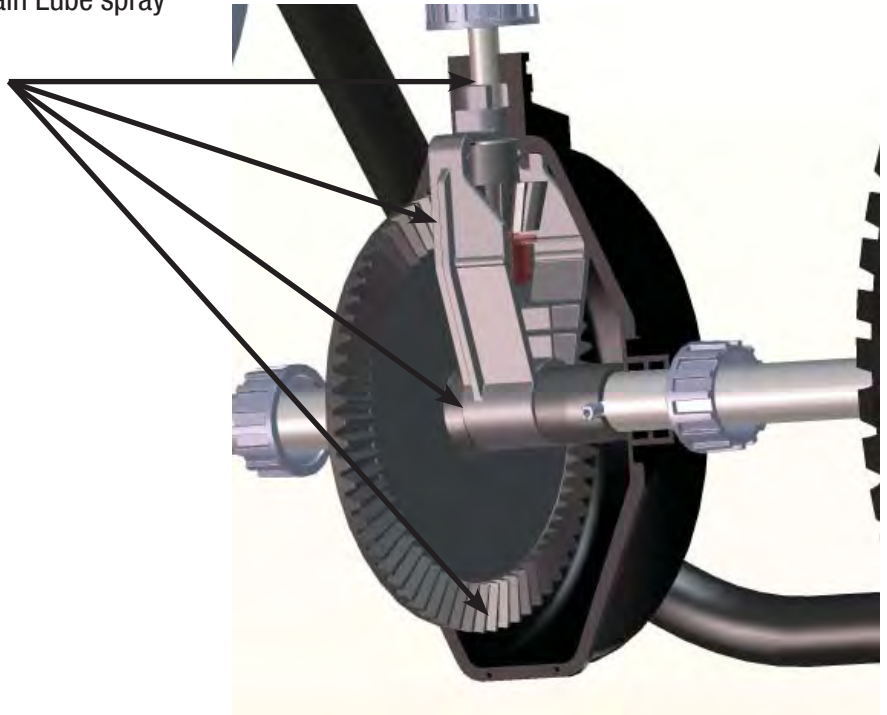


TS-65/TS-65SS

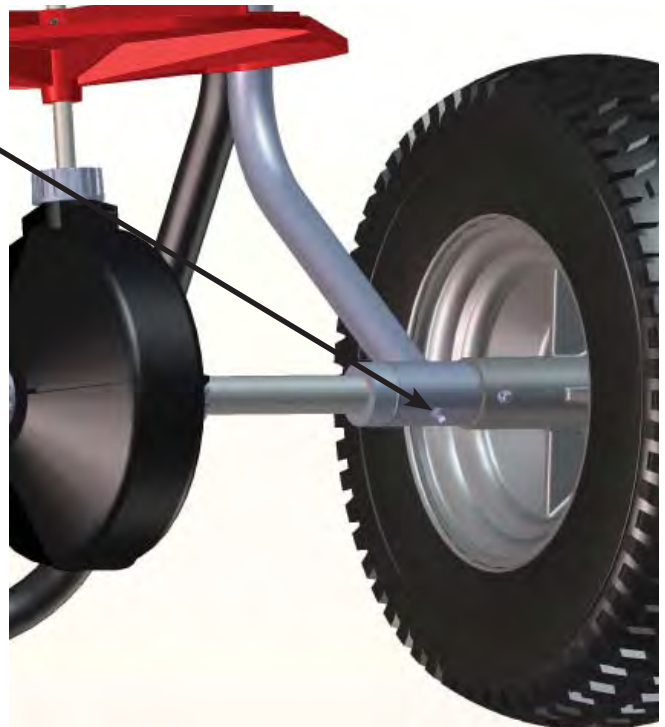
## Important

**Gears and Axles Must Be Lubricated and Greased Every 20 Hours of Use.**

Remove gear housing and apply Chain Lube spray lubrication.



Use general purpose grease on both grease zerks.



# Calibration Instructions



To Calibrate your spreader close the gate completely then start to open (notice the handle will move before the gate starts to slide.) As the handle begins to activate the gate slide watch the slide and just as it starts to open then stop. At this point apply the calibration decal that is supplied as shown below. You have now successfully calibrated your spreader.



Now put a small amount of material in the spreader to determine the spread width of your product at the speed that you will be walking. To determine your ground speed measure the distance you cover in 1 minute and reference the chart below.

Speed - Distance	
Ground Speed In MPH	Feet Traveled Per Min
0.5	44
1.0	88
1.5	132
2.0	176
2.5	220
3.0	264
3.5	308
4.0	352

Now you can refer to your calibration chart of Gate Settings and Pounds per minute as a guide. (Due to the fact that material varies you may need to make your own chart by setting your gate at a number and weighing the amount of material that comes out in 1 minute and carry this out for all gate settings.) **Sample Charts are available on Page 11**

Gate Setting	Pounds per Minute	Gate Setting	Pounds per Minute
5	6.8	11	25.16
6	9.88	12	28.12
7	12.96	13	31.08
8	16.04	14	34.04
9	19.12	15	37
10	22.2		

These settings were obtained using a 10-10-10 Fertilizer

**Exercise:** Let's say you were in the field and needed to apply 3.5lbs. of fertilizer per 1000sq. ft. Assume you were walking 3mph or 264ft per minute and your spread width was 18ft., you would cover 4752sq ft in 1 minute. Then divide this by 1000 to get the thousands. Take 4.75 thousands X the application rate of 3.5lbs and this will give you the total of 16.63lbs. per minute needed to meet the application rate. Refer to your chart to find gate setting. In this instance you will need to set just slightly over 8.

### Equation:

$$(\text{Speed/Distance ft per minute}) * (\text{Spread Width}) = \text{Sq Ft covered per Minute}$$

$$(\text{Sq Ft covered per Minute}) / 1000 = \text{Thousands}$$

$$(\text{Thousands}) * (\text{Application Rate}) = \text{Lbs per minute}$$

Refer to your chart for required gate setting

It is the responsibility of the person using this equipment to make sure that every type of material is properly calibrated to perform as expected. This process should take place on a solid flat surface away from drains and livestock areas in order to achieve a safe and accurate reading for proper material distribution. Failure to do so may cause an over/under application that could damage turf areas or give an ineffective pest control treatment. Any calibration charts contained in this manual are given as a reference point only and should not be used as an absolute condition. Spending a few extra minutes to properly calibrate will not only save on wasted materials and time but also protect turf and other vegetation. Below are several points to be aware of before operating your spreader in the field.

- Flow rates of material can change for many reasons
  1. Formulations vary within the same brand or even between brands
  2. Formulations vary between batches or dates of manufacture
  3. Humidity can cause the material to clump and flow poorly
  4. Poor spreader maintenance can cause flow changes
  5. Slide stop has moved or calibrated to another type of material
  6. Human error can cause rate miscalculation
- Items needed for calibration
  1. A way to catch the material for weighing
  2. A device to measure distance
  3. A scale to weigh your product
  4. A stop watch or other means to measure time

<b>Material:</b>			
Gate Setting	Pounds per Minute	Gate Setting	Pounds per Minute
5		11	
6		12	
7		13	
8		14	
9		15	
10			

<b>Material:</b>			
Gate Setting	Pounds per Minute	Gate Setting	Pounds per Minute
5		11	
6		12	
7		13	
8		14	
9		15	
10			

<b>Material:</b>			
Gate Setting	Pounds per Minute	Gate Setting	Pounds per Minute
5		11	
6		12	
7		13	
8		14	
9		15	
10			

<b>Material:</b>			
Gate Setting	Pounds per Minute	Gate Setting	Pounds per Minute
5		11	
6		12	
7		13	
8		14	
9		15	
10			

## Limited Warranty

Two year warranty on Turfex brand products against defects in material or workmanship under normal use and service, subject to limitations detailed below. Warranty period of two years begins on the date of purchase by the original retail user.

The WARRANTY REGISTRATION CARD must be returned to the manufacturer for this warranty to become effective. This warranty applies to the original retail purchaser only. This warranty does not cover damages caused by improper installation, misuse, lack of proper maintenance, alterations or repairs made by anyone other than authorized Trynex dealers or Trynex personnel. Due to the corrosive properties of the materials dispensed by spreaders, Trynex does not warrant against damage caused by corrosion. Warranty claims by the user must be made to the dealer from where the product was purchased, unless otherwise authorized by Trynex. Trynex reserves the right to determine if any part is defective and to repair or replace such parts as it elects. This warranty does not cover shipping costs of defective parts to or from the dealer.

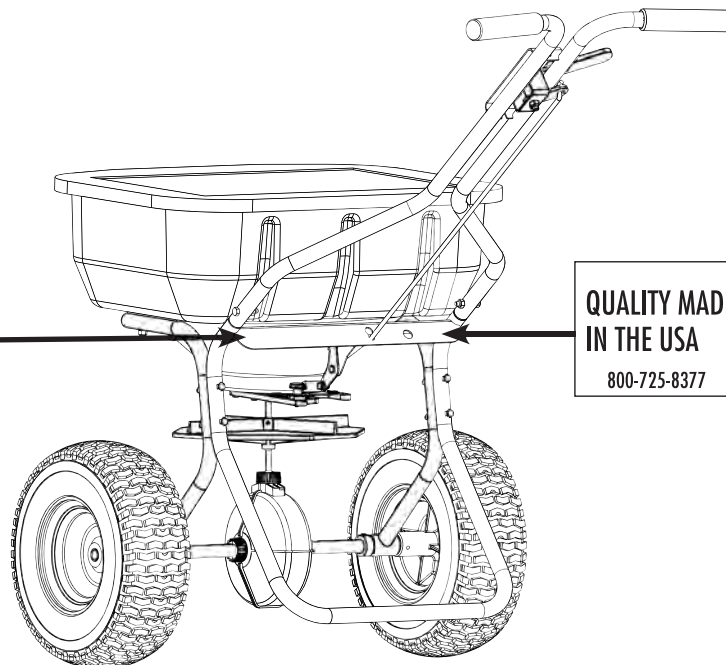
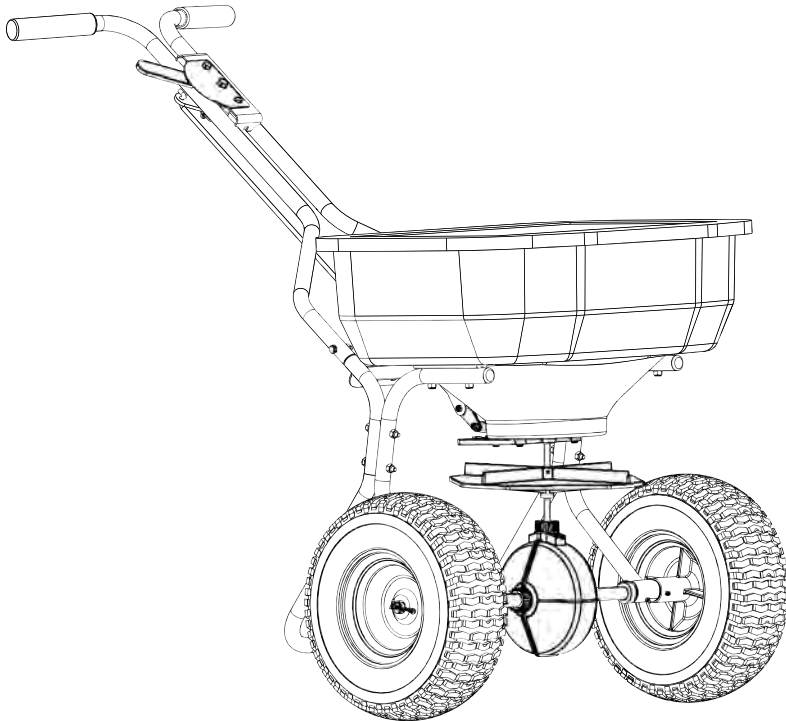
### LIMITATION OF LIABILITY

Neither Trynex, nor any company affiliated with it, makes any warranties, representations for promise as to the performance or quality other than what is herein contained. The liability of Trynex to the purchaser for damages arising out of the manufacture, sale, delivery, use or resale of this spreader shall be limited to and shall not exceed the costs of repair or replacement of defective parts. Trynex shall not be liable for loss of use, inconvenience or any other incidental, indirect or consequential damages, so the above limitations on incidental or consequential damages may not apply to you.

NO DEALER HAS AUTHORITY TO MAKE ANY REPRESENTATION OR PROMISE ON BEHALF OF TRYNEX INTERNATIONAL, OR TO ALTER OR MODIFY THE TERMS OR LIMITATIONS OF THIS WARRANTY IN ANY WAY.

# Assembly Views

Model # TS-65/TS-65SS



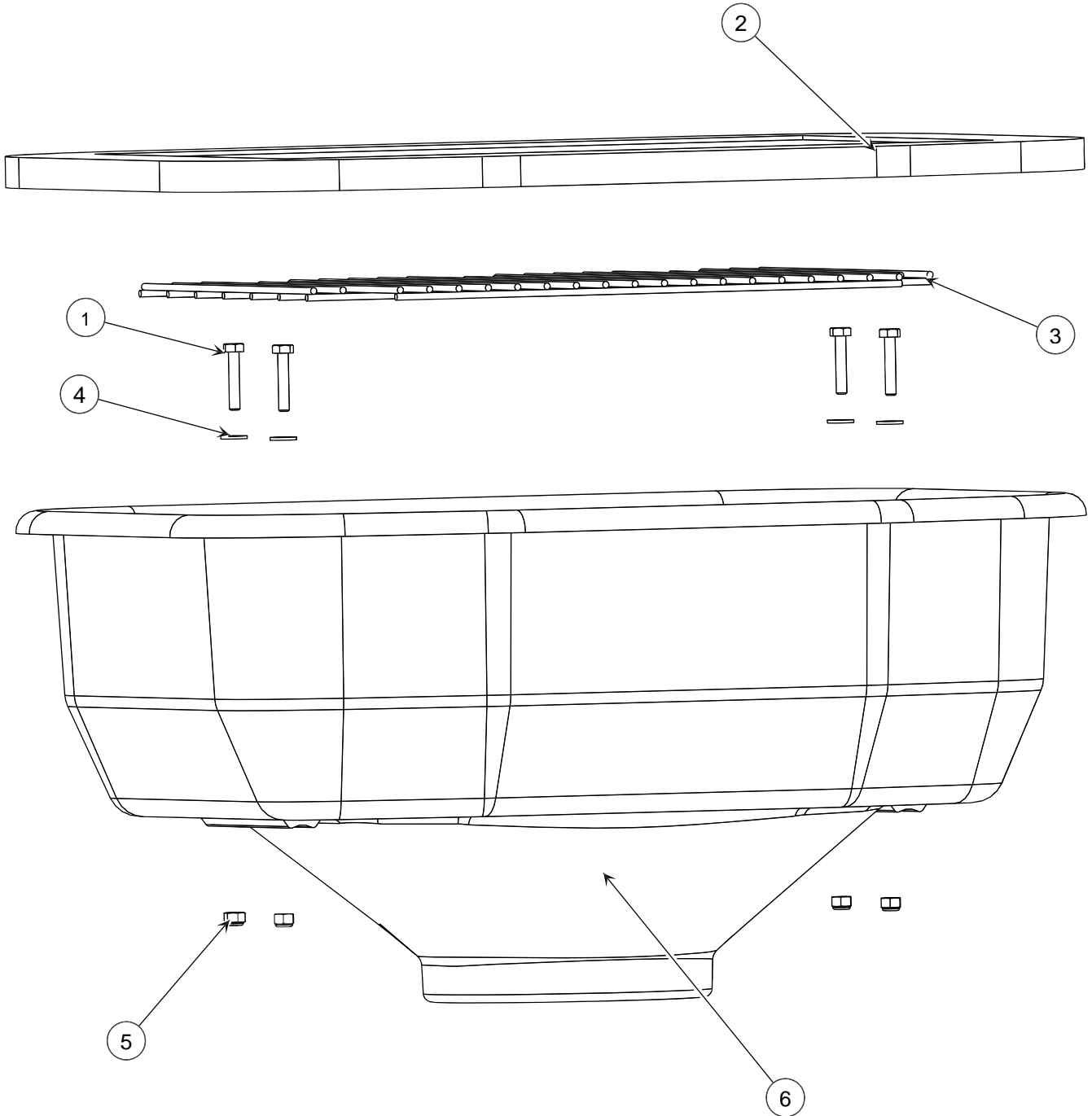
 [www.turfexproducts.com](http://www.turfexproducts.com)  
MODEL NO.  
**TS65**  
SERIAL NO. TA-200000  Max. Capacity 100 lbs.

QUALITY MADE   
IN THE USA  
800-725-8377 [www.trynexusfactory.com](http://www.trynexusfactory.com)

# Hopper Assembly Parts Breakdown



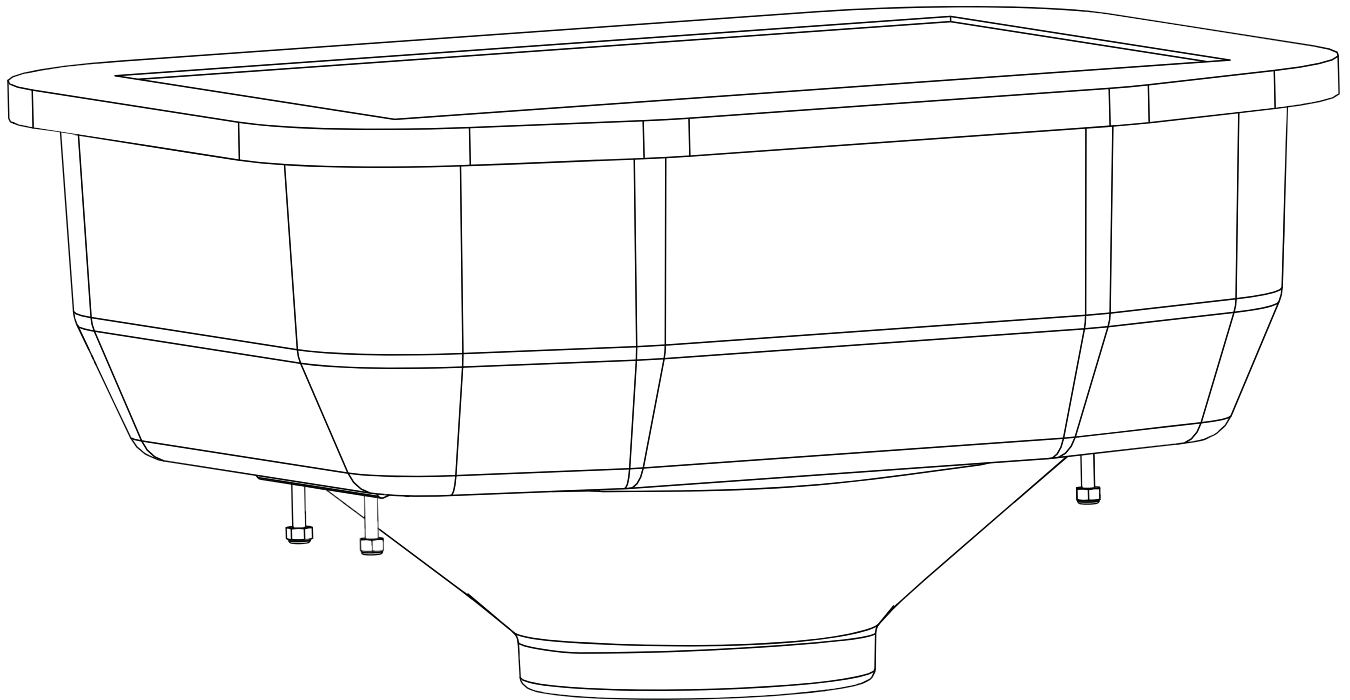
Model # TS-65/TS-65SS



# Hopper Assembly Parts Breakdown



Model # TS-65/TS-65SS



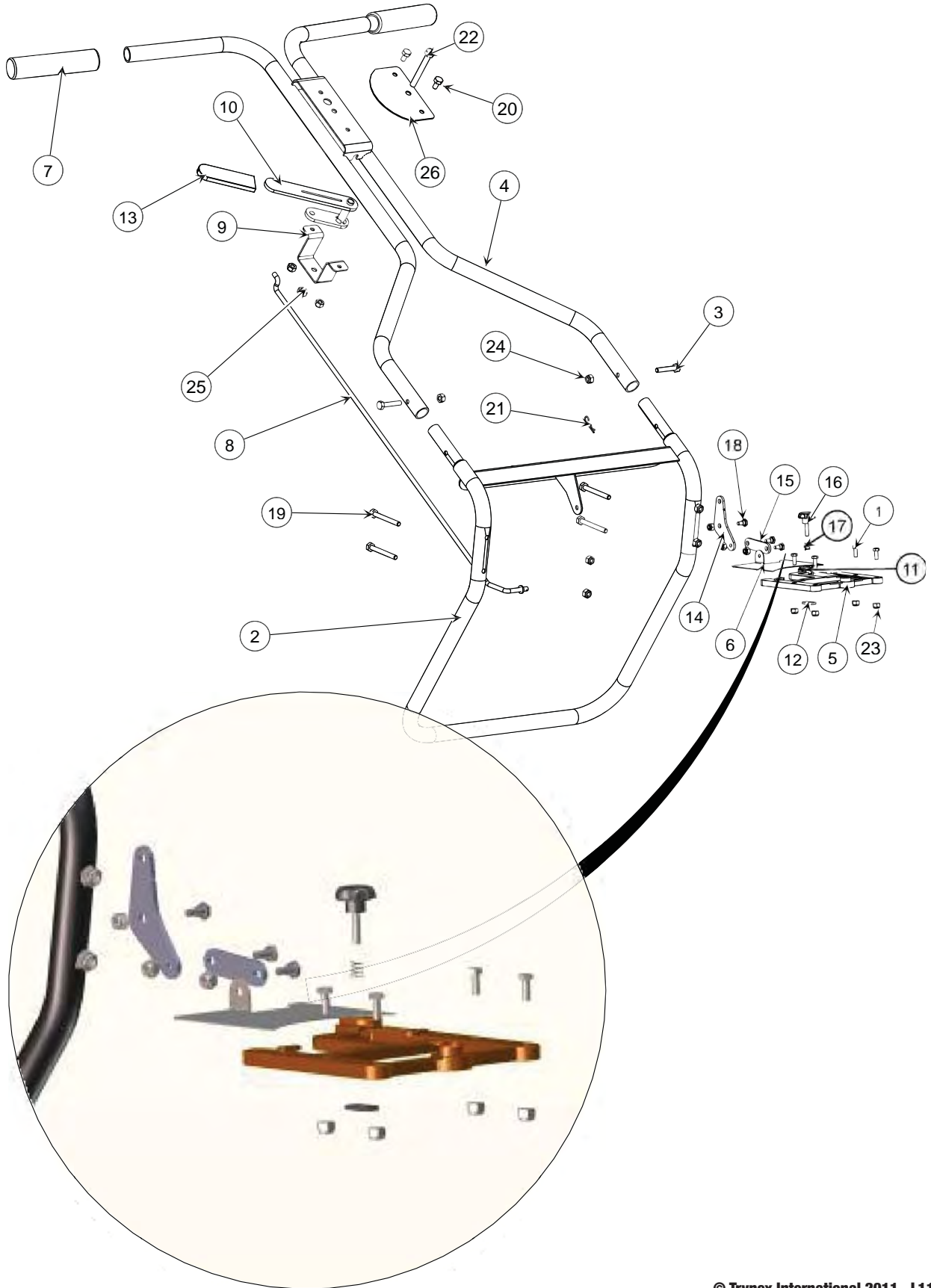
BOM ID	Description	Qty
1	D5907	4
2	D5967	1
3	D5973	1

BOM ID	Description	Qty
4	T15014	4
5	T15016	4
6	T30168	1

# Handle Assembly Parts Breakdown



Model # TS-65

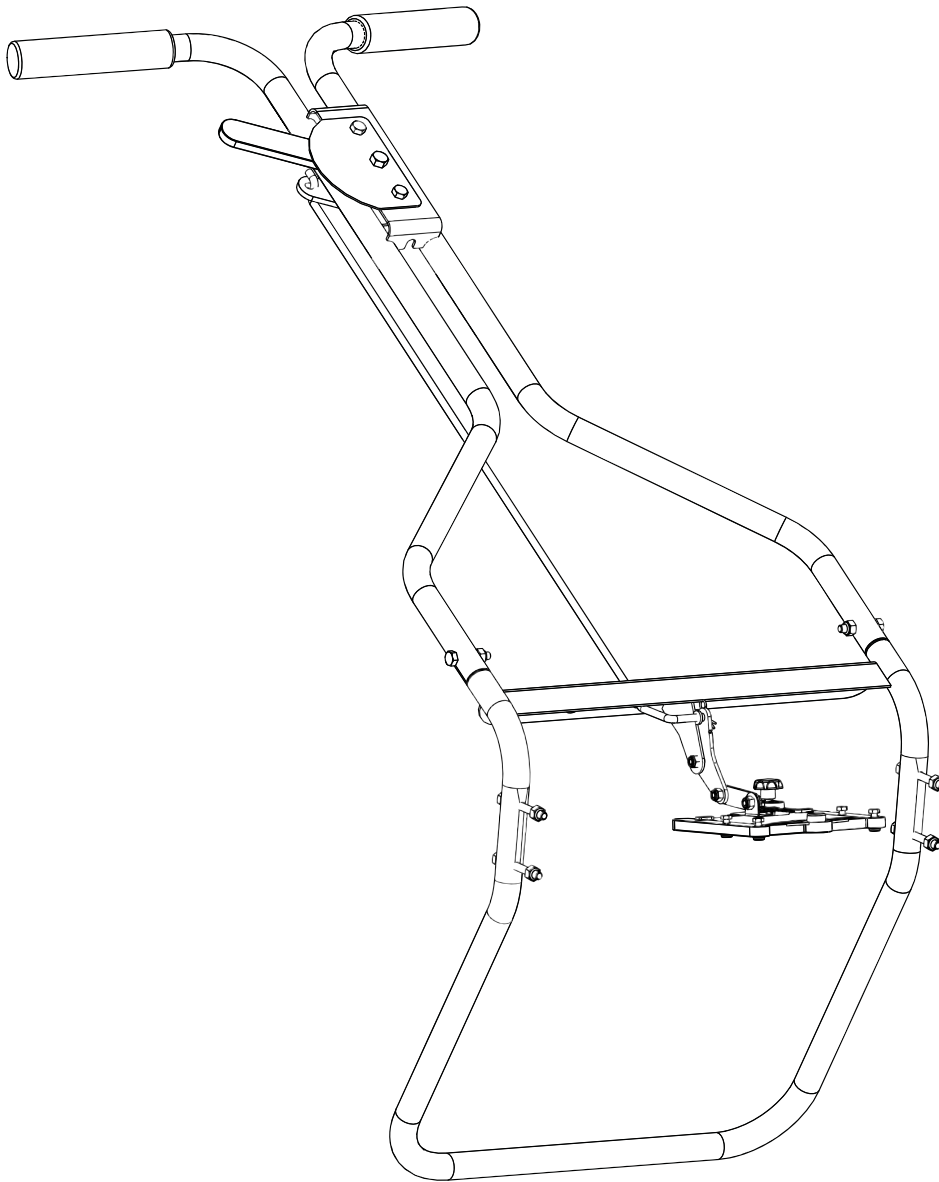




# Handle Assembly Parts Breakdown



Model # TS-65



BOM ID	Description	Qty
1	D5905	4
2	D5906	1
3	D5907	2
4	D5908	1
5	D5912	1
6	D5914	1
7	D5917	2

BOM ID	Description	Qty
8	D5918	1
9	D5924	1
10	D5925	1
11	D5927	1
12	D5928	1
13	D5929	1
14	D5933	1

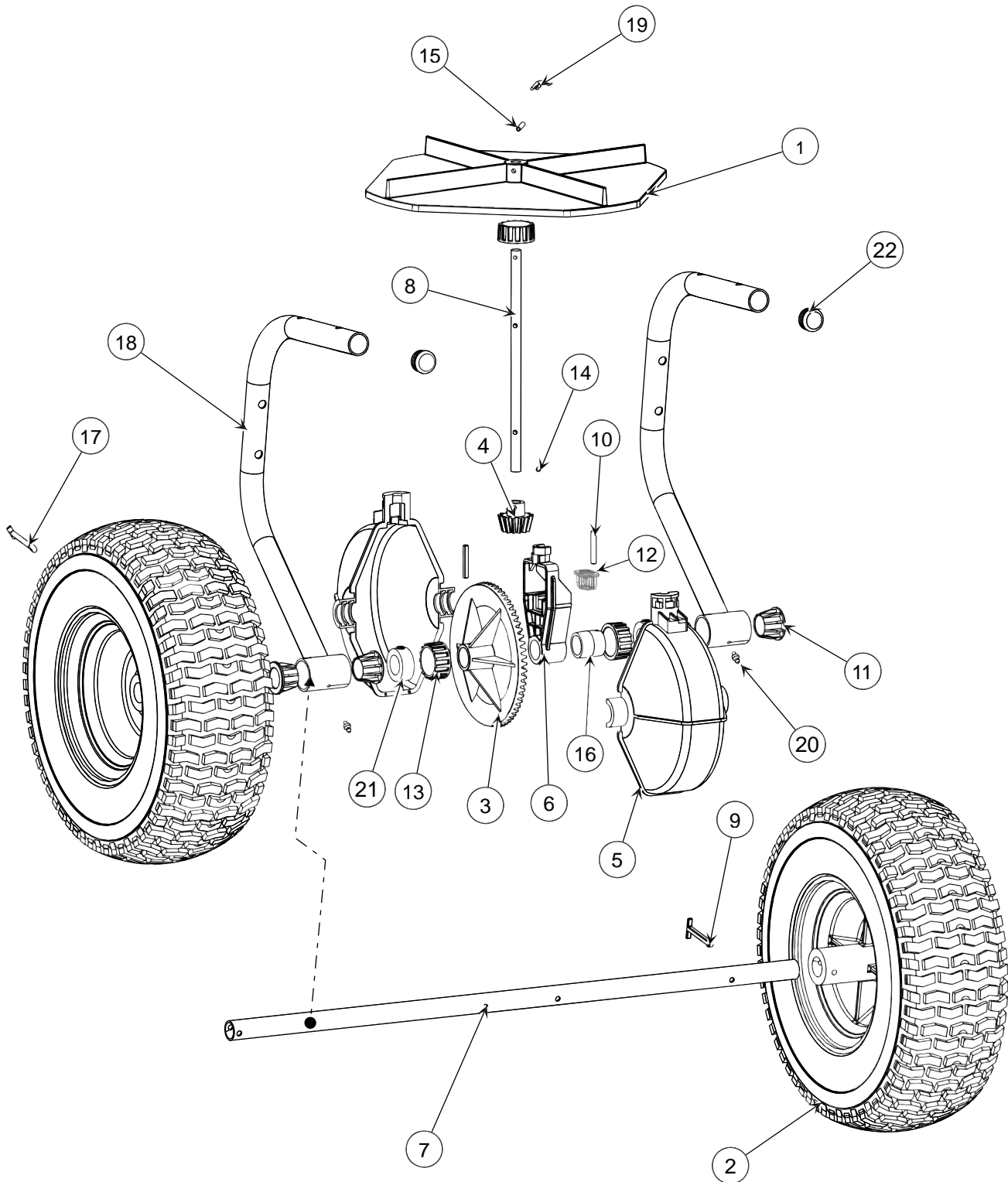
BOM ID	Description	Qty
15	D5934	1
16	D5935	1
17	D5936	1
18	D5937	3
19	D5943	4
20	D5944	2
21	D5945	1

BOM ID	Description	Qty
22	D5946	1
23	D5948	7
24	T15016	8
25	T15018	1
26	T30157	1

# Axle Assembly Parts Breakdown



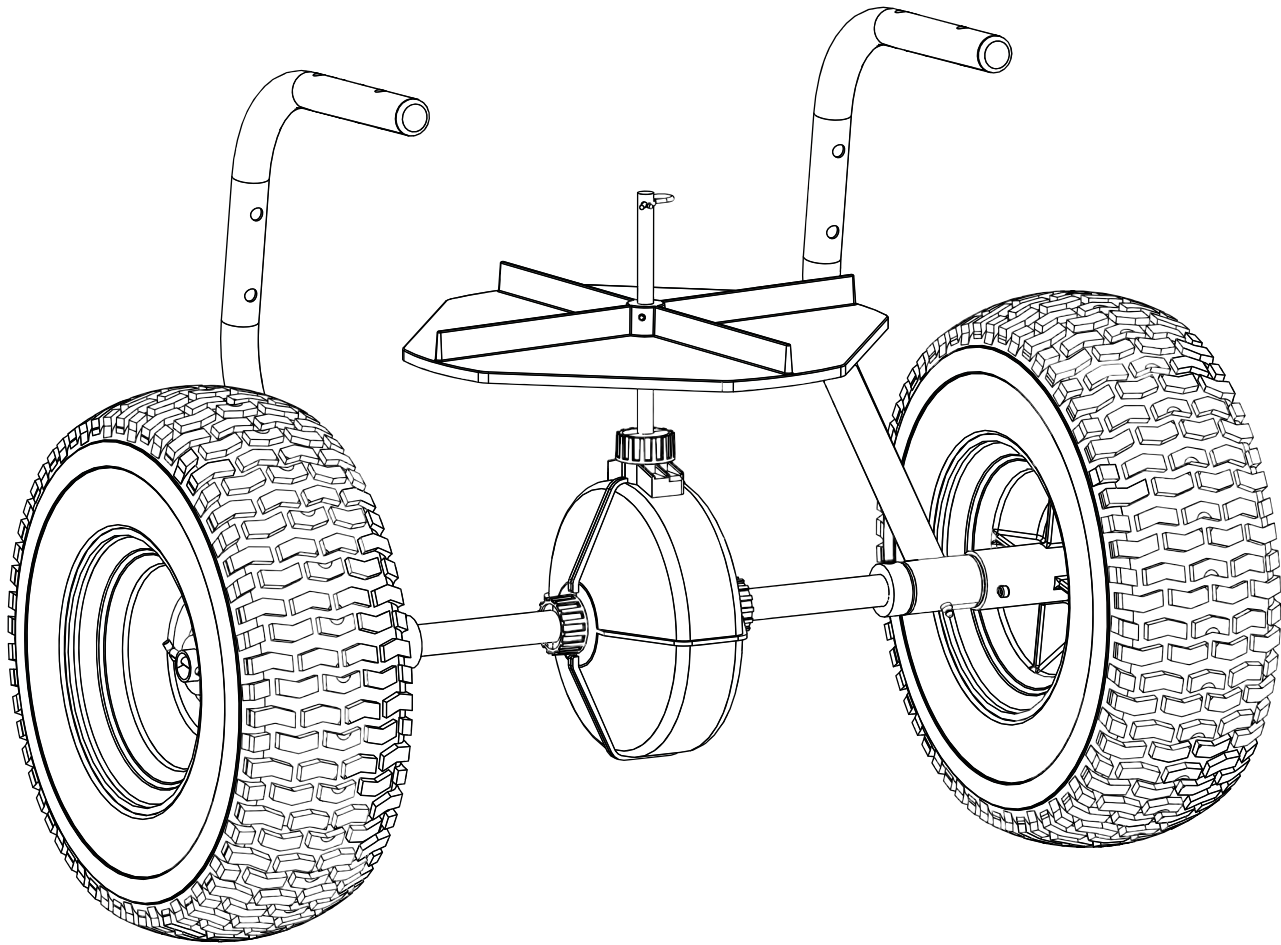
Model # TS-65



# Axle Assembly Parts Breakdown



Model # TS-65



BOM ID	Description	Qty
1	D5902	1
2	D5904	2
3	D5909	1
4	D5910	1
5	D5911	2
6	D5913	1

BOM ID	Description	Qty
7	D5915	1
8	D5916	1
9	D5919	1
10	D5921	2
11	D5923	4
12	D5926	1

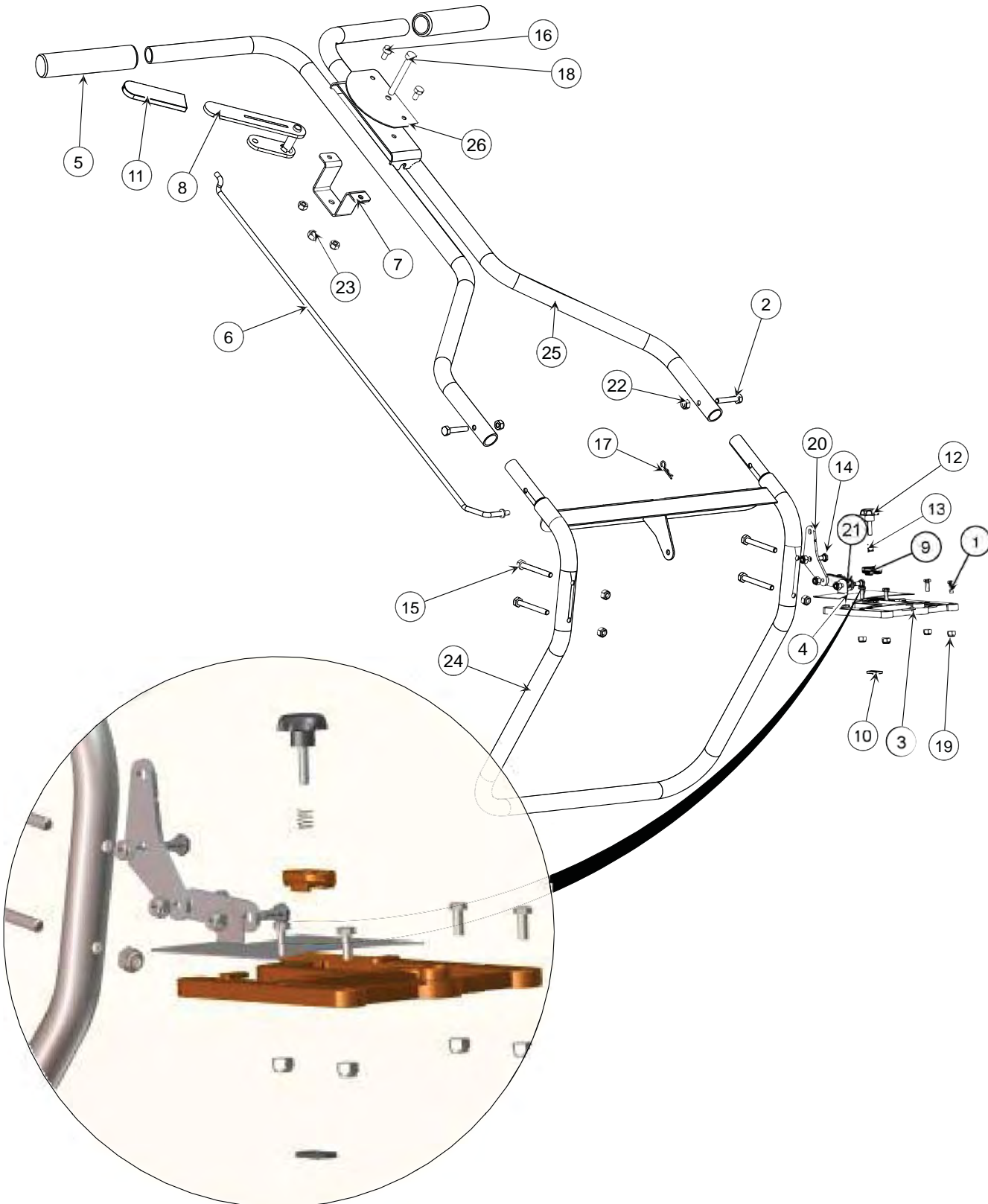
BOM ID	Description	Qty
13	D5930	3
14	D5938	1
15	D5939	1
16	D5941	1
17	D5947	1
18	D5974	2

BOM ID	Description	Qty
19	D5993	1
20	D5994	2
21	D6024	2
22	D6090	2

# Handle Assembly Parts Breakdown

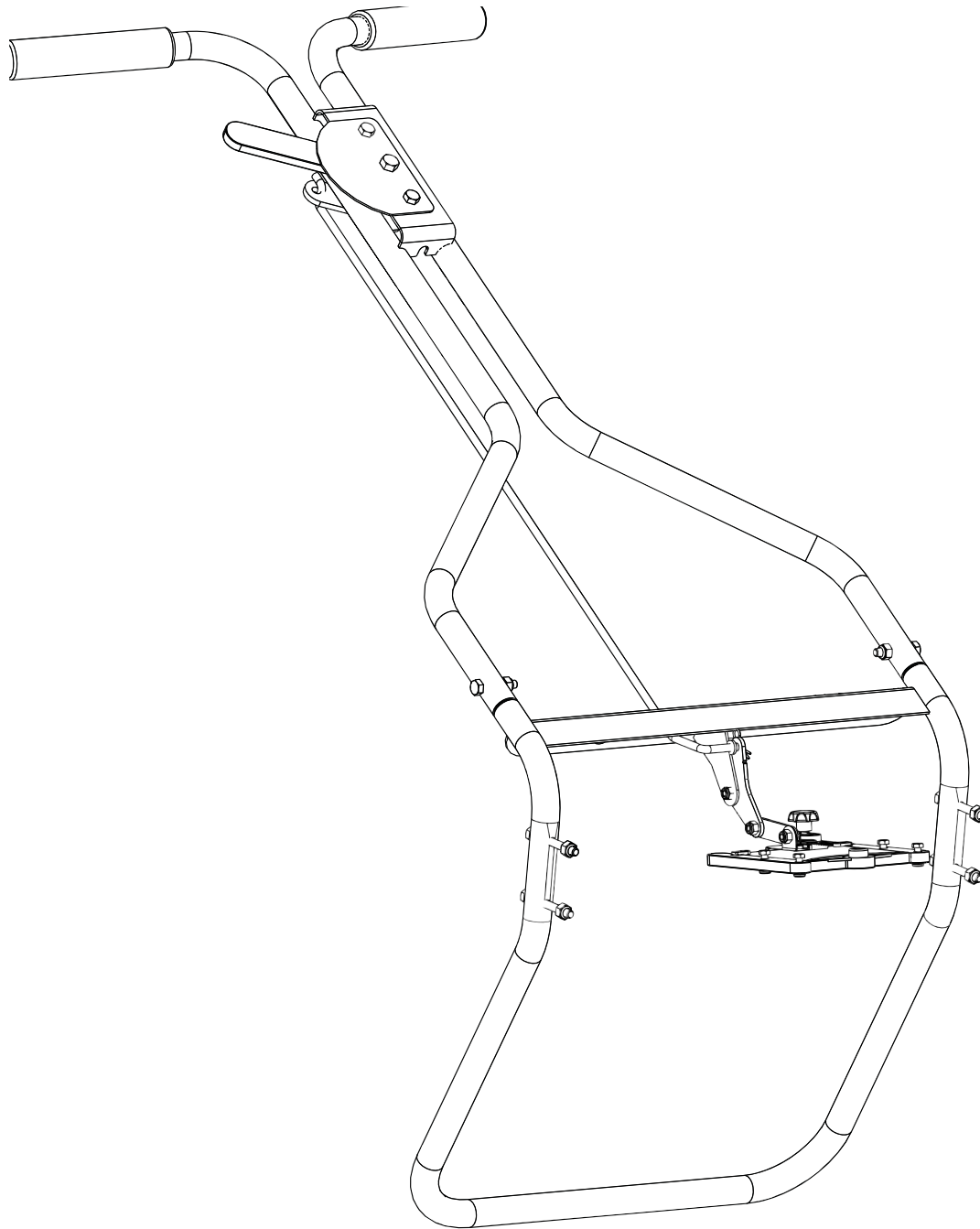


Model # TS-65SS



# Handle Assembly Parts Breakdown

Model # TS-65SS



BOM ID	Description	Qty
1	D5905	4
2	D5907	2
3	D5912	1
4	D5914	1
5	D5917	2
6	D5918	1
7	D5924	1

BOM ID	Description	Qty
8	D5925	1
9	D5927	1
10	D5928	1
11	D5929	1
12	D5935	1
13	D5936	1
14	D5937	3

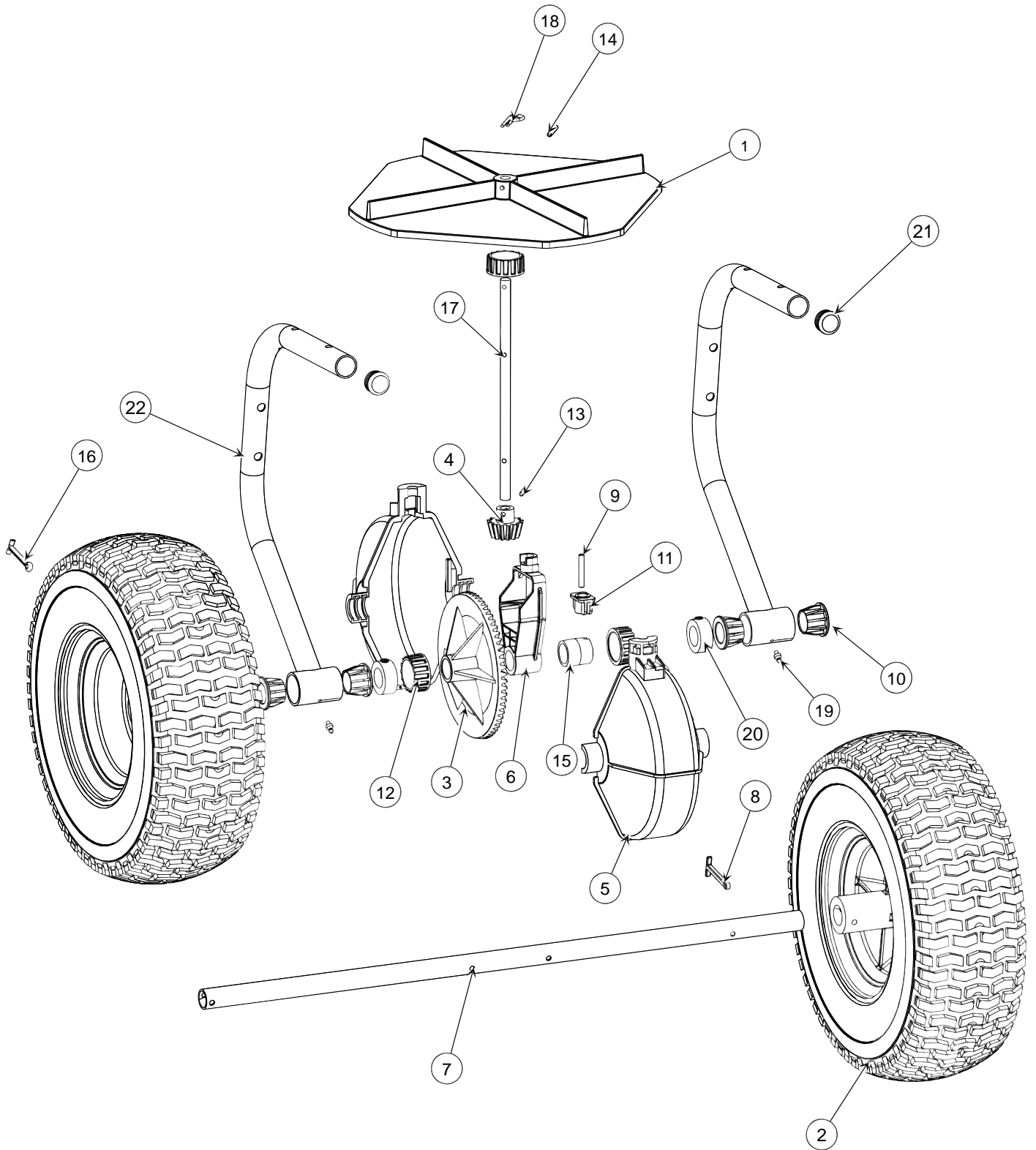
BOM ID	Description	Qty
15	D5943	4
16	D5944	2
17	D5945	1
18	D5946	1
19	D5948	7
20	D5959	1
21	D5960	1

BOM ID	Description	Qty
22	T15016	8
23	T15018	1
24	T30152	1
25	T30153	1
26	T30157	1

# Axle Assembly Parts Breakdown



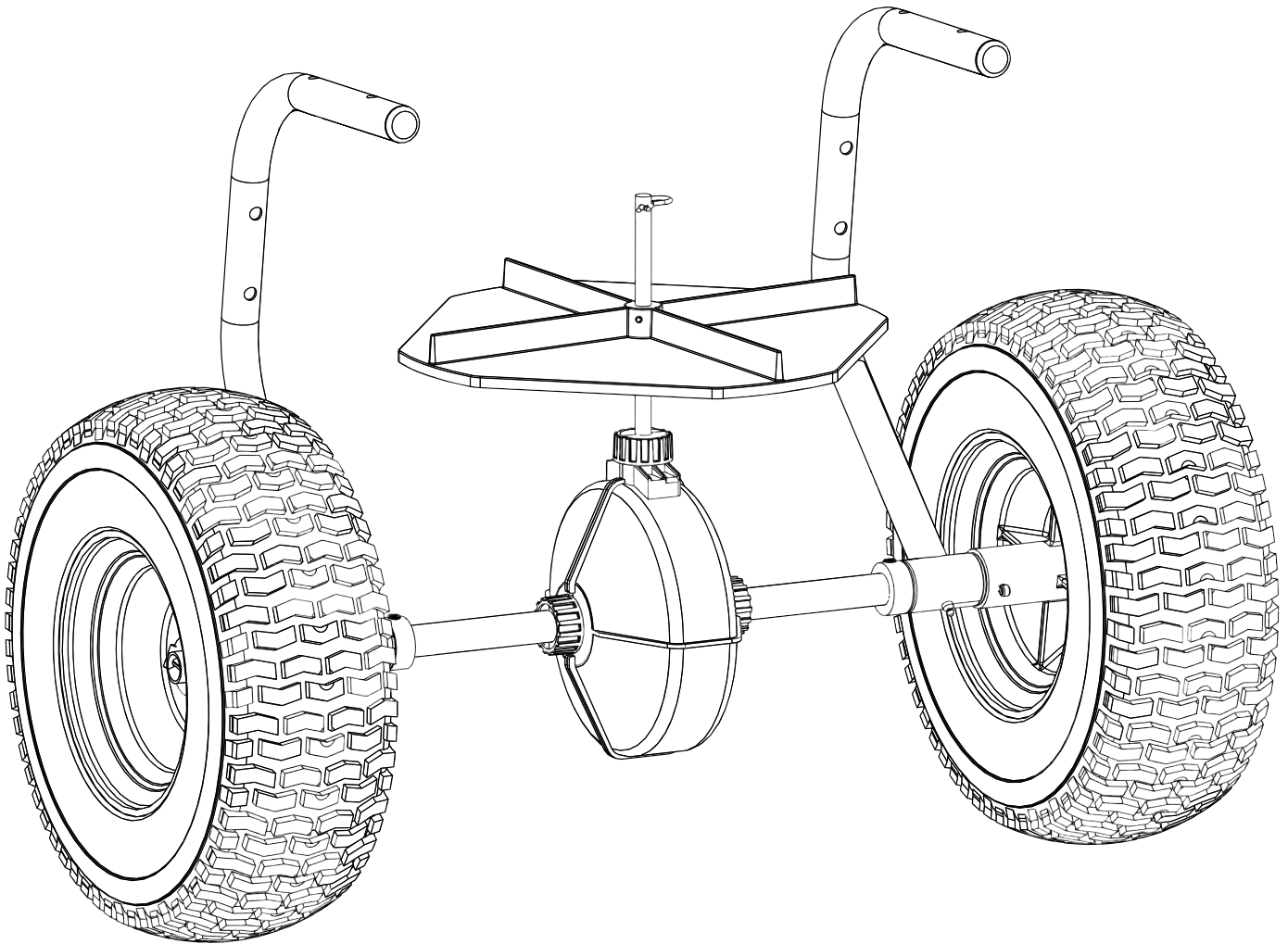
Model # TS-65SS



# Axle Assembly Parts Breakdown



Model # TS-65SS



BOM ID	Description	Qty
1	D5902	1
2	D5904	2
3	D5909	1
4	D5910	1
5	D5911	2
6	D5913	1

BOM ID	Description	Qty
7	D5915	1
8	D5919	1
9	D5921	2
10	D5923	4
11	D5926	1
12	D5930	3

BOM ID	Description	Qty
13	D5938	1
14	D5939	1
15	D5941	1
16	D5947	1
17	D5956	1
18	D5993	1

BOM ID	Description	Qty
19	D5994	2
20	D6024	2
21	D6090	2
22	T30172	2





