

This Manual Must Be Read Before Operating The Equipment

Owner / Operator's Manual



The Commercial Turf Choice

SPREADERS

TS-300
TS-300-EG
TS-700-E
TS-700-GR
TS-700-P
TS-1200-E
TS-1200-GR
TS-1200-P



Warren, Michigan 48089
866-5TURFEX

CUSTOMER COPY

Protected by the following patents, #6,089,478, #6,088,865, #Des.425,915
and other pending U.S. and foreign patent applications.

| | |
|---|-------|
| Introduction | 3 |
| General Information and Registration | 4 |
| Safety Information | 5-7 |
| TS-300-E / TS-300-EG Main Assembly | 8-21 |
| TS-700-E / P Main Assembly | 22-23 |
| TS-700-GR / TS-1200 GR Main Assembly | 24-25 |
| TS-1200-E / P Main Assembly | 26-27 |
| TS-700-E / P & TS-1200-E / P Drive Assembly | 28-29 |
| TS-700-GR & TS-1200-GR Drive Assembly | 30-31 |
| TS-700-E / GR / P & TS-1200-E / GR / P Gate Assembly | 32 |
| TS-700-E & TS-1200-E Electrical Systems | 33 |
| Blank Page | 34-35 |
| Adjustable Spinner Information | 36 |
| Spreader Calibration Charts | 37 |
| Calibration Speed Chart | 38 |
| Calibration Disclaimer | 39 |
| Blank Page | 40-41 |
| Accssories & Mounts | 42-50 |
| • SDK-020 Side Deflector Kit | |
| • ADF-020 Adjustable Deflector Kit | |
| • DRM-175 Drop Mount Receiver | |
| • TLR-175 Trailer Mount | |
| • TPM-175 Three Point Mount | |
| • UTM-175 Utility Mount | |
| • VAR-020 Variable Speed Control Kit (TS-300,TS-700-E & TS-1200-E Only) | |
| • ZTR-175 Zero Turn Radius Mower Mount | |
| Spreader Maintenance | 51 |
| Troubleshooting Information | 52-53 |
| Warranty & Warranty Registration | 54-55 |

This manual has been designed for your help. It will assist you and instruct you on the proper set-up, installation and use of this spreader.

Refer to the table of contents for an outline of this manual.

We require that you read and understand the contents of this manual completely (especially all safety information) before attempting any procedure contained herein.



THIS SIGN SHOULD ALERT YOU:

The Society of Automotive Engineers has adopted this SAFETY ALERT SYMBOL to pinpoint characteristics that, if NOT carefully followed, can create a safety hazard. When you see this symbol in this manual or on the machine itself, BE ALERT! Your personal safety and the safety of others is involved.

Defined below are the SAFETY ALERT messages and how they will appear in this manual:



DANGER

(RED)

Information that, if not carefully followed, can cause death!



WARNING

(ORANGE)

Information that, if not carefully followed, can cause serious personal injury or death!



CAUTION

(YELLOW)

Information that, if not carefully followed, can cause minor injury or damage to equipment.

General Information



CONGRATULATIONS!

The Turfex product you have purchased is an example of turf management product at its finest! Your Turfex product's, self contained design is a trademark of all Turfex products. Here's why...

SIMPLICITY: Fewer moving parts manufactured of higher quality means minimal maintenance for your Turfex product.

RELIABILITY: High impact linear low density polyethylene hopper, state-of-the-art electronic dual variable speed control, custom engineered powder coated frame, maximum torque 12 volt motor coupled to a custom engineered transmission found only on Turfex products.

VERSATILITY: Multi-use capabilities allows spreading of a variety of materials.

WARRANTY: Two years parts and labor from date of installation.

The benefits you are about to recognize are that of time, money and effort. We welcome you to the world of Turfex Performance.

Registration

Record the following information in this manual for quick reference.

Spreader Model Number _____

Serial Number _____ Controller Serial Number _____

Date of Purchase _____

Dealer Where Purchased _____

When ordering parts, the above information is necessary. This will help to insure that you receive the correct parts.

At the right is a diagram of the ID tag. This tag is located on the frame (where applicable).



Please fill out the warranty card with all the necessary information to validate it. This will also give us a record so that any safety or service information can be communicated to you.



Before attempting any procedure in this book, these safety instructions must be read and understood by all workers who have any part in the preparation or use of this equipment.

For your safety warning and information decals have been placed on this product to remind the operator of safety precautions. If anything happens to mark or destroy the decals, please request new ones from Trynex.



Unit must be strapped down and locked into position before operating vehicle.



Never exceed the Gross Vehicle Weight Rating of vehicle. Failure to do so may limit a vehicles handling characteristics.



Never attempt to take a unit off with material in it.



Do not drive at excessive speeds when loaded spreader is attached to vehicle. Braking distances may be decreased and handling characteristics may be impaired at higher speeds.



Never allow children to operate or climb on equipment.
Always check areas to be spread to be sure no hazardous conditions or substances are in the area.
Always inspect unit for defects: broken, worn or bent parts, weakened areas on spreader or mount.



Always shut off vehicle and power source before attempting to attach or detach or service spreader unit. Be sure vehicle/power source is properly braked or chocked.



Always keep hands, feet, and clothing away from power-driven parts. Remember it is the owner's responsibility to communicate information on safe usage and proper maintenance of all equipment.









Always make sure personnel are clear of areas of danger when using equipment. Maintain 60' distance from all bystanders when operating the spreader.



Inspect the unit periodically for defects. Parts that are broken, missing, or worn out must be replaced immediately. The unit, or any part of it should not be altered without prior written permission from the manufacturer.



Never use with foreign debris in the spreader. These units are designed to handle clean, free-flowing material. Note: Can not spread water softner salt.

-  **WARNING** Always inspect pins and latches whenever attaching or detaching spreader, and before traveling.
-  **CAUTION** Never leave material in hopper for long periods of time. Be aware that all ice melters and fertilizers are hygroscopic and will attract atmospheric moisture and harden up.
-  **WARNING** Remember, most accidents are preventable and caused by human error. Exercising of care and precautions must be observed to prevent the possibility of injury to operator or others!
-  **WARNING** Never operate equipment when under the influence of alcohol, drugs, or medication that might alter your judgment and/or reaction time.
-  **WARNING** Before working with the spreader, secure all loose fitting clothing and unrestrained hair.
-  **WARNING** Always wear safety glasses with side shields when servicing spreader. Failure to do this could result in serious injury to the eyes.

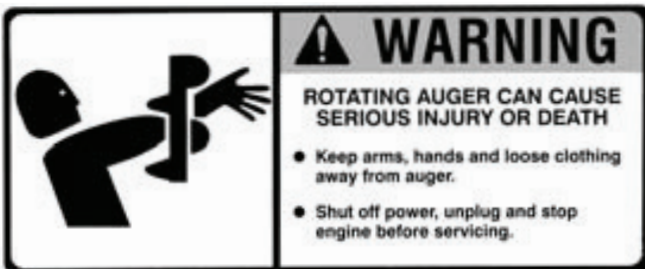
All Turfex products have warning labels instructing you about certain safety issues you should be aware of. Below are examples of what to look for and familiarize yourself with. In the event that a label is lost or removed for refinishing reasons, you may obtain new ones from Turfex.



D 6546



D 6859



D 6335



D 6545



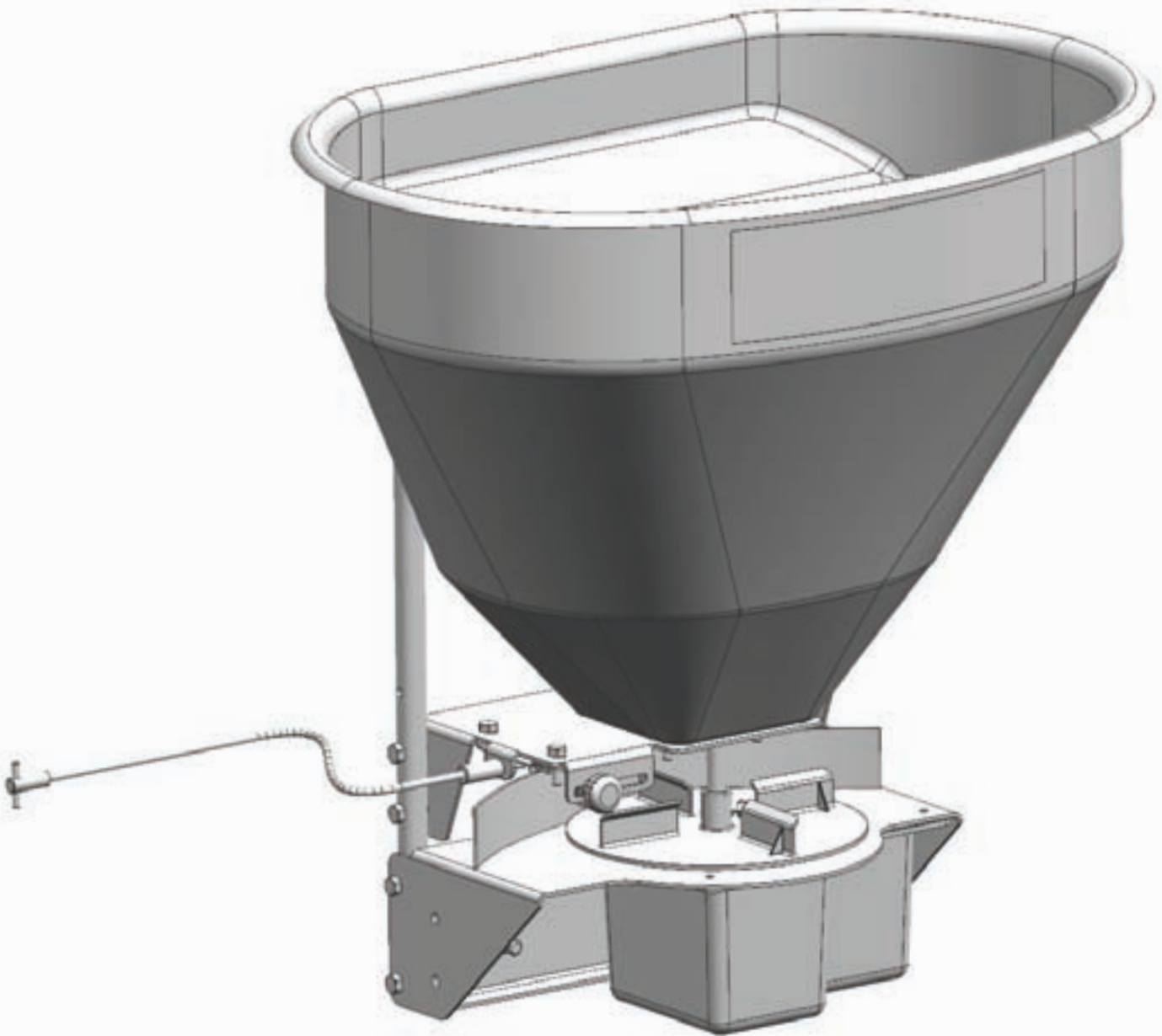
D 6544



D 6548

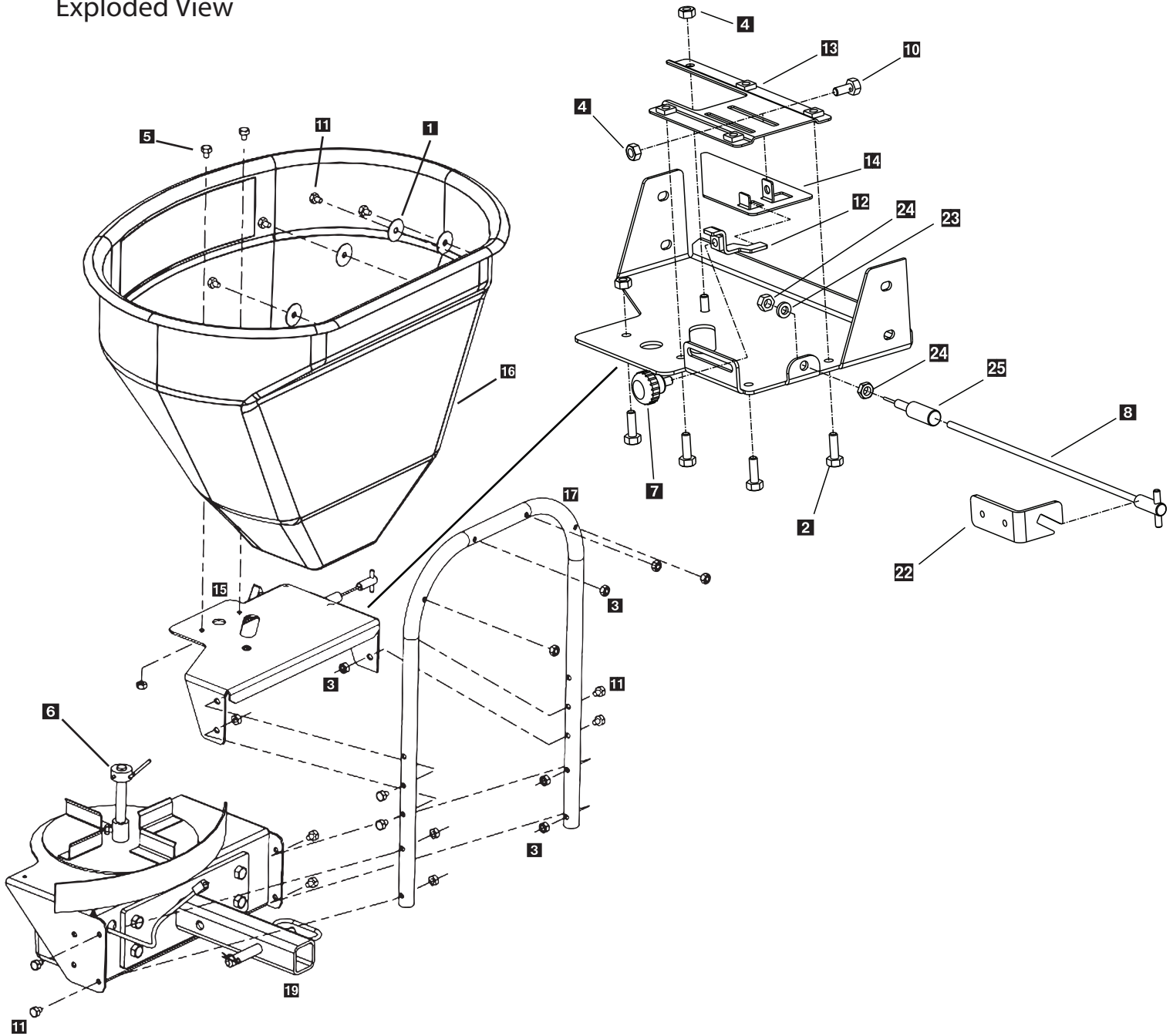
TS-300

Main Assembly Views



TS-300

Exploded View



| Key | Part No. | Description | Qty. | Key | Part No. | Description | Qty. |
|-----|----------|----------------------------------|------|-----|----------|-------------------------------|------|
| 1 | D 4318 | 3/8" Fender Washer | 4 | 14 | D 6705 | Seeder Gate Slide | 1 |
| 2 | T 15049 | 5/16"-18 x 1/2" Hex Bolt SS | 2 | 15 | D 6706 | Seeder 400 Gate Deck | 1 |
| 3 | D 6138 | 5/16" Locknut | 14 | 16 | D 6709 | 150 Seeder Hopper | 1 |
| 4 | D 6168 | 5/16" - 16 Hex Nut SS | 1 | 17 | D 6712 | Hopper Tube Support | 1 |
| 5 | D 6418 | 5/16" - 18 x 1" Hex Bolt SS | 2 | 18 | D 6480 | Transmission Weldment | 1 |
| 6 | D 6705 | Agitator | 1 | 19 | D 6485 | Light Duty Receiver Mount | 1 |
| 7 | D 6302 | Gate Knob | 1 | 20 | D 4116 | 1/2"-13 x 1-1/2" Hex Bolt | 4 |
| 8 | D 6304 | T-Handle Cable - 10' | 1 | 21 | D 4120 | 1/2" Lock Nut | 4 |
| 9 | D 6305 | Bulkhead Cable Fitting | 1 | 22 | T 15036 | Cable Mounting Bracket | 1 |
| 10 | D 6308 | 5/16" - 16 x 3/4" Bolt w/Hole SS | 1 | 23 | T 15051 | 3/8 Internal Star Lock Washer | 1 |
| 11 | D 6462 | 5/16" - 18 x 1-3/4" HHCS | 12 | 24 | T 15052 | 3/8-24 Jam Nut SS | 1 |
| 12 | D 6703 | Gate Indicator / Stop | 1 | 25 | T 15050 | Cable Fitting | 1 |
| 13 | D 6704 | Seeder Gate Track | 1 | | | | |

Assembly Instructions (refer to digram on page 1-9)

Step 1: Attach hopper tube support (D 6712) **17** to complete drive assembly using (4) 5/16"-18 x 1-3/4" hex bolt (D 6462) **11** and (4) 5/16" lock nut (D 6138) **3**. Use (2) holes at bottom end of tube.

Step 2: Place spreader gate deck (D 6706) **16** upside down on table.

Step 3: Assemble gate indicator/stop (D 6703) **12** on stop slide with gate knob (D6302) **7**. Gate stop must be on the inside of deck where it will stop the track.

Step 4: Insert (1) 5/16 bolt with hole (D 6308) **10** through gate slide (D 6705) **12**. Finger tighten (1) 5/16" locknut (D 6138) **3** on bolt.

Step 5: Take bulkhead cable fitting (D 6305) **9** and screw it onto T-handle cable - 10' (D 6304) **8** rubber coating.

Step 6: Place assembly through tab on gate deck. Tighten down with supplied washer and nuts. NOTE: There should be a nut on either side of tab.

Step 7: Lower gate assembly over spinner shaft. Spinner shaft must go through 5/8" hole on deck. Shaft to be centered in hole.

Step 8: Fasten deck to hopper tube using (4) 5/16" hex bolts (D 6462) **11** and (4) 5/16" locknuts (D 6138) **3** NOTE: You must first tighten bottom bolts, pull front of deck up, then tighten top set of bolts.

Step 9: Place hopper (D 6709) **16** on deck. 5/8" hole must be used for spinner shaft.

Step 10: Finger tighten (2) 5/16 x 1" bolts (D 6166) **5** through bottom of hopper.

Step 11: Place (4) flat washers (D 4318) **1** over hex bolts (D 6462). Place bolts through hopper back and in through tube support. Tighten with (4) 5/16" locknuts.

Step 12: Tighten bolts in bottom of hopper.

Step 13: Place agitator (D 6405) on spinner shaft. Tighten to middle of flat with short allen key.

Step 14: Attach receiver mount (D 6485) to transmission weldment (D 6480) using (4) 1/2" hex bolts (D 4116) and (4) 1/2" lock nuts (D 4120).

CABLE INSTALLATION

Step 1: Place unit on vehicle where it will be permanently used. Place hitch pin in hitch so unit does not move.

Step 2: Route T-handle to desired operating location. There cannot be any bends or sharp corners.

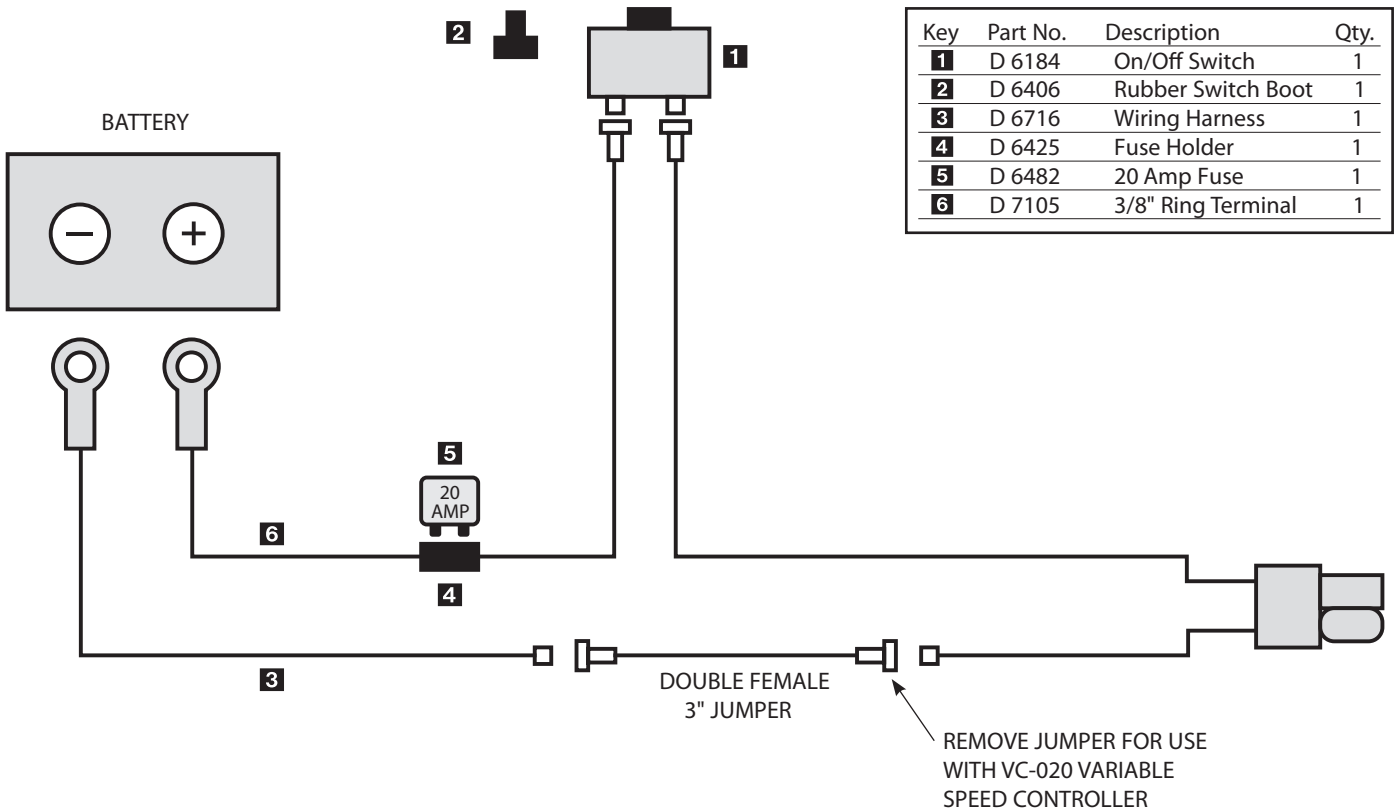
Step 3: Take T-handle out of sleeve. Take nuts and washer off of sleeve.

Step 4: Drill holes to mount T-handle mounting bracket. Mount T-Handle to bracket.

Step 5: Close gate slide all the way.

Step 6: Re-insert cable handle and wire all the way. Aim through bolt with hole and tighten bolt.

TS-300 Wiring Diagram



TS-300 Wiring Instructions

Step 1: First, install switch at desired location.

Step 2: Run spreader/vehicle harness from the rear of vehicle to switch area. Attach the female spade red wire to the switch. Leave the black wire for Step 5.

Step 3: Route the power harness from the battery to the switch/control.

Step 4: Attach the red lead to the positive side of the battery and the black lead to the negative side of the battery.

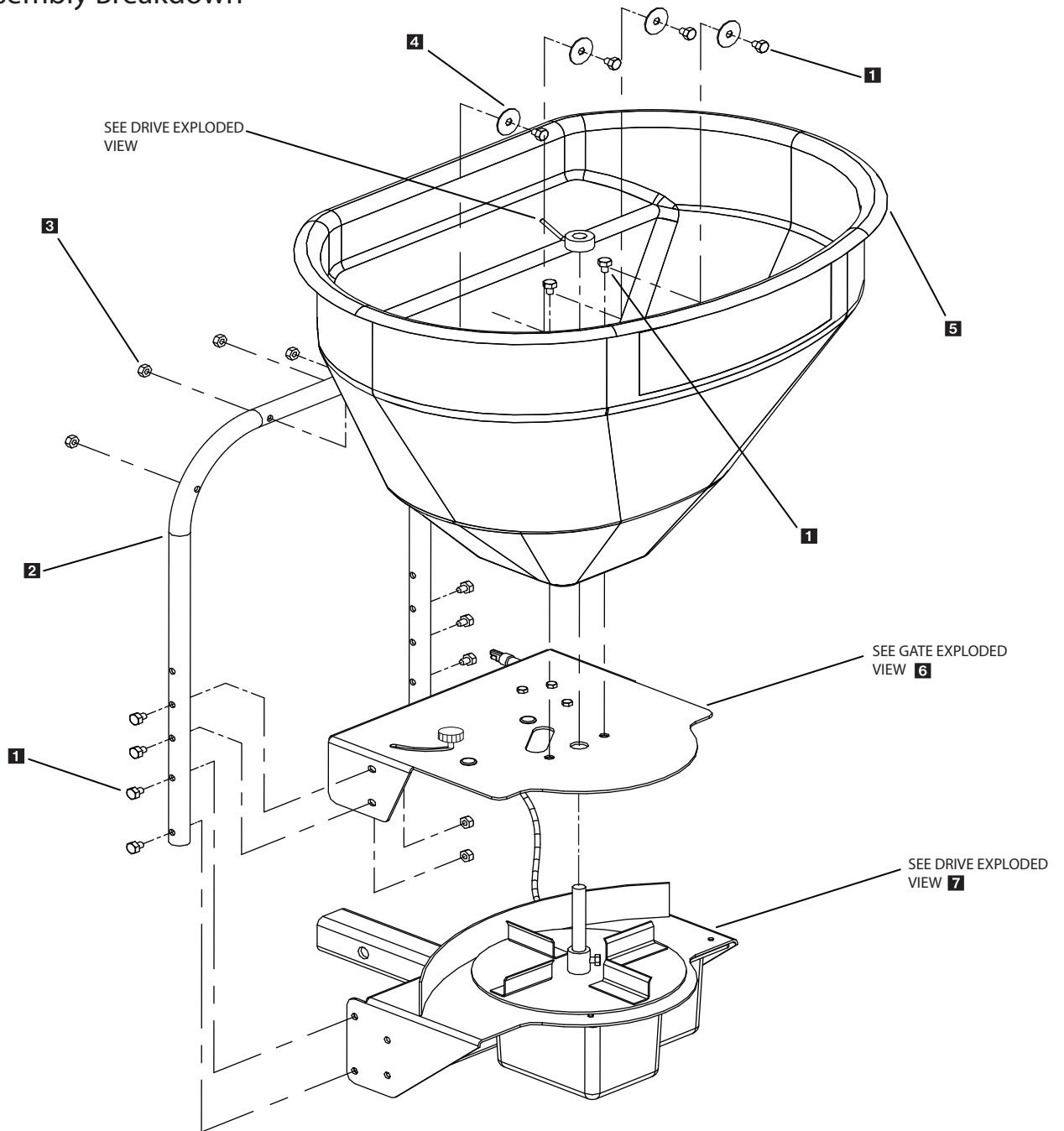
Step 5: Attach the female spade red wire on switch terminal. Using 3" double female black wire jumper attach the black wire from the power harness to the black wire of the vehicle harness.

Step 6: Install rubber weatherproof boot on switch before finishing installation.

Step 7: Insert dielectric grease on terminals of SAE plug at rear of vehicle.

TS-300-EG

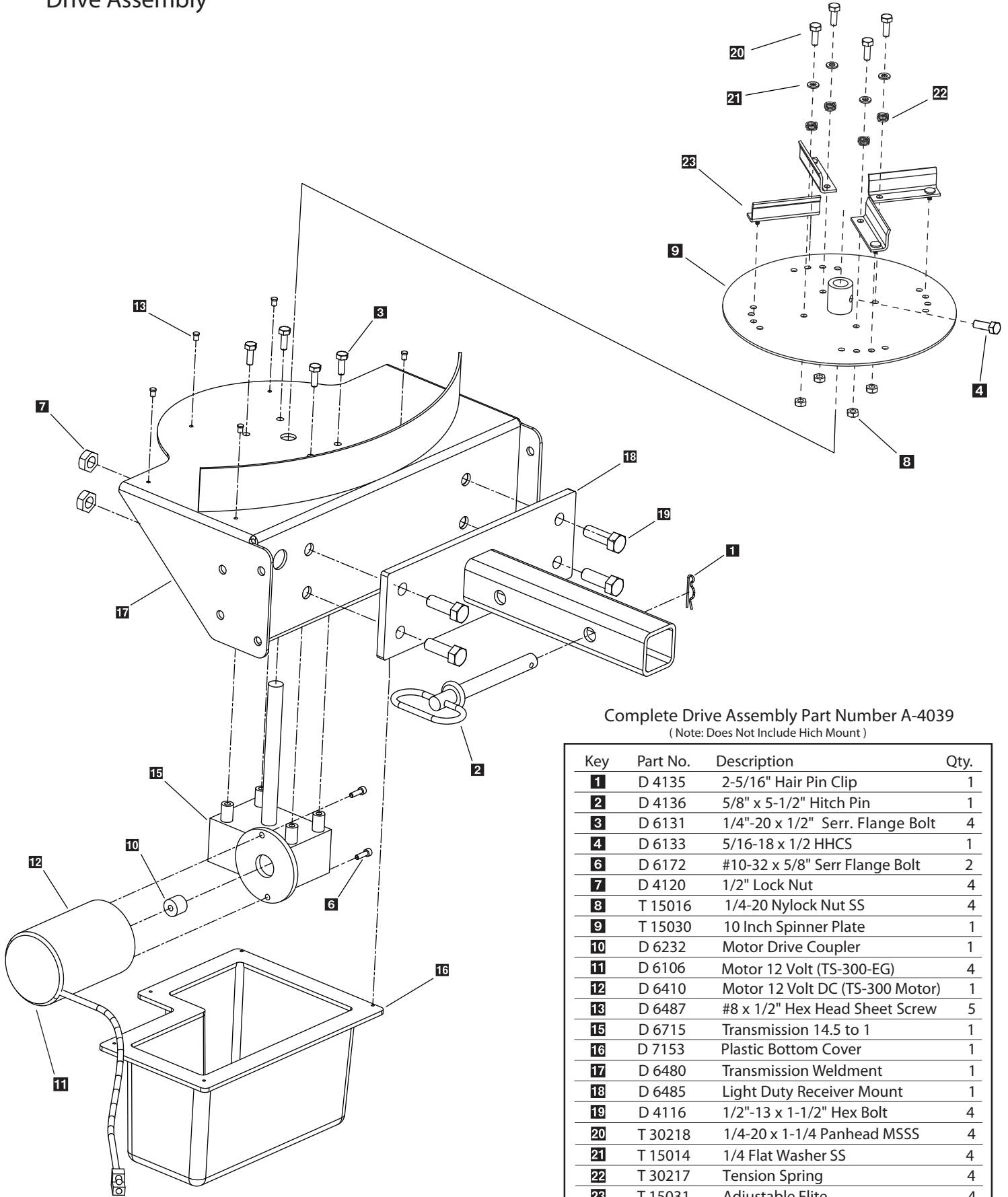
Main Assembly Breakdown



| Key | Part No. | Description | Qty. |
|----------|----------|--------------------------------|------|
| 1 | D 6462 | 5/16" - 18 x 1-3/4" HHCS | 14 |
| 2 | D 6712 | Hopper Tube Support | 1 |
| 3 | D 6138 | 5/16" Lock Nut | 14 |
| 4 | D 4318 | 3/8" Fender Washer | 4 |
| 5 | D 6753 | 2.7 Cu/Ft Seeder Hopper Yellow | 1 |
| 6 | | Electric Gate Assembly | 1 |
| 7 | | Drive Assembly | 1 |

TS-300-EG / TS-300

Drive Assembly



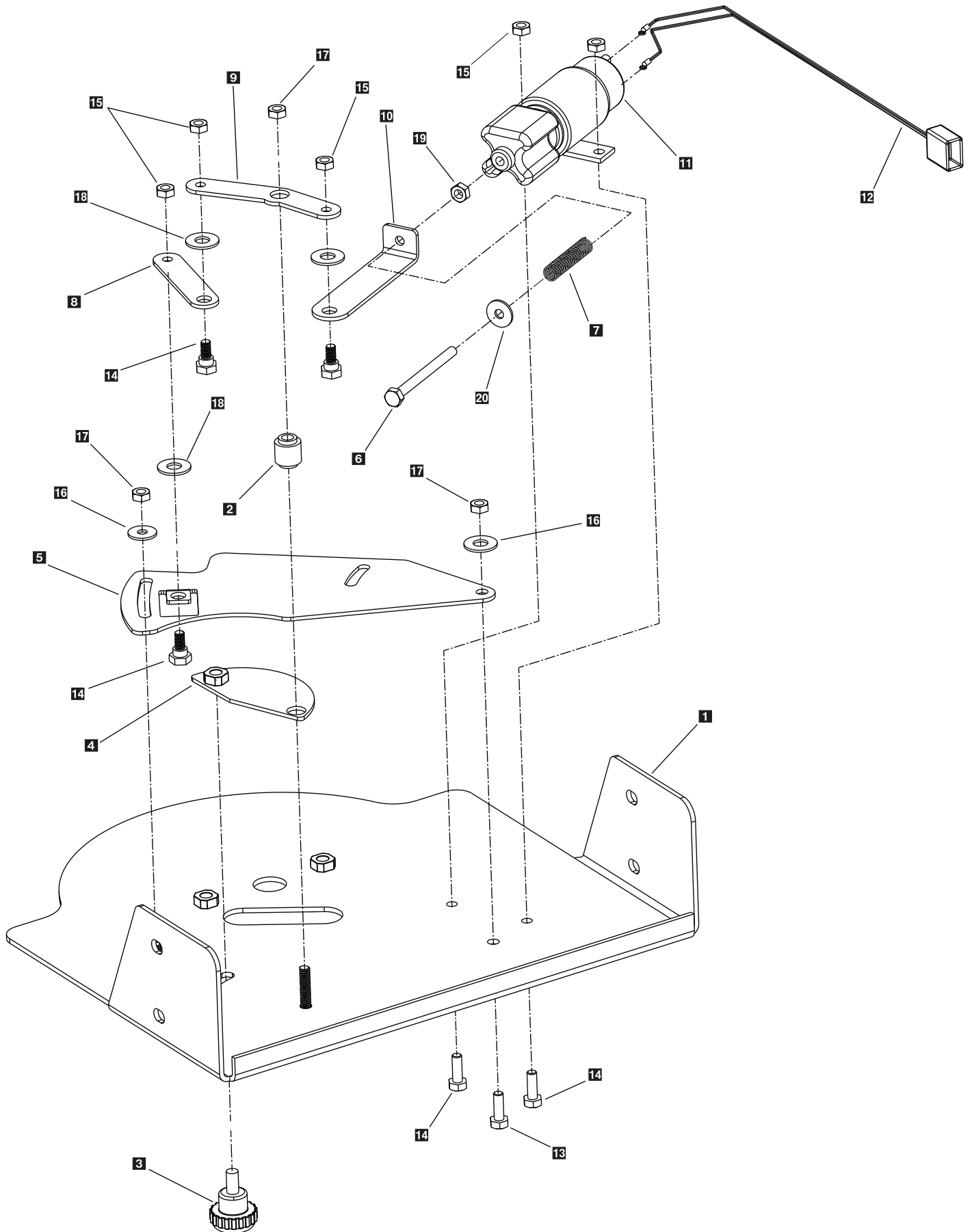
Complete Drive Assembly Part Number A-4039

(Note: Does Not Include High Mount)

| Key | Part No. | Description | Qty. |
|-----|----------|----------------------------------|------|
| 1 | D 4135 | 2-5/16" Hair Pin Clip | 1 |
| 2 | D 4136 | 5/8" x 5-1/2" Hitch Pin | 1 |
| 3 | D 6131 | 1/4"-20 x 1/2" Serr. Flange Bolt | 4 |
| 4 | D 6133 | 5/16-18 x 1/2" HHCS | 1 |
| 6 | D 6172 | #10-32 x 5/8" Serr Flange Bolt | 2 |
| 7 | D 4120 | 1/2" Lock Nut | 4 |
| 8 | T 15016 | 1/4-20 Nylock Nut SS | 4 |
| 9 | T 15030 | 10 Inch Spinner Plate | 1 |
| 10 | D 6232 | Motor Drive Coupler | 1 |
| 11 | D 6106 | Motor 12 Volt (TS-300-EG) | 4 |
| 12 | D 6410 | Motor 12 Volt DC (TS-300 Motor) | 1 |
| 13 | D 6487 | #8 x 1/2" Hex Head Sheet Screw | 5 |
| 15 | D 6715 | Transmission 14.5 to 1 | 1 |
| 16 | D 7153 | Plastic Bottom Cover | 1 |
| 17 | D 6480 | Transmission Weldment | 1 |
| 18 | D 6485 | Light Duty Receiver Mount | 1 |
| 19 | D 4116 | 1/2"-13 x 1-1/2" Hex Bolt | 4 |
| 20 | T 30218 | 1/4-20 x 1-1/4 Panhead MSSS | 4 |
| 21 | T 15014 | 1/4 Flat Washer SS | 4 |
| 22 | T 30217 | Tension Spring | 4 |
| 23 | T 15031 | Adjustable Flite | 4 |

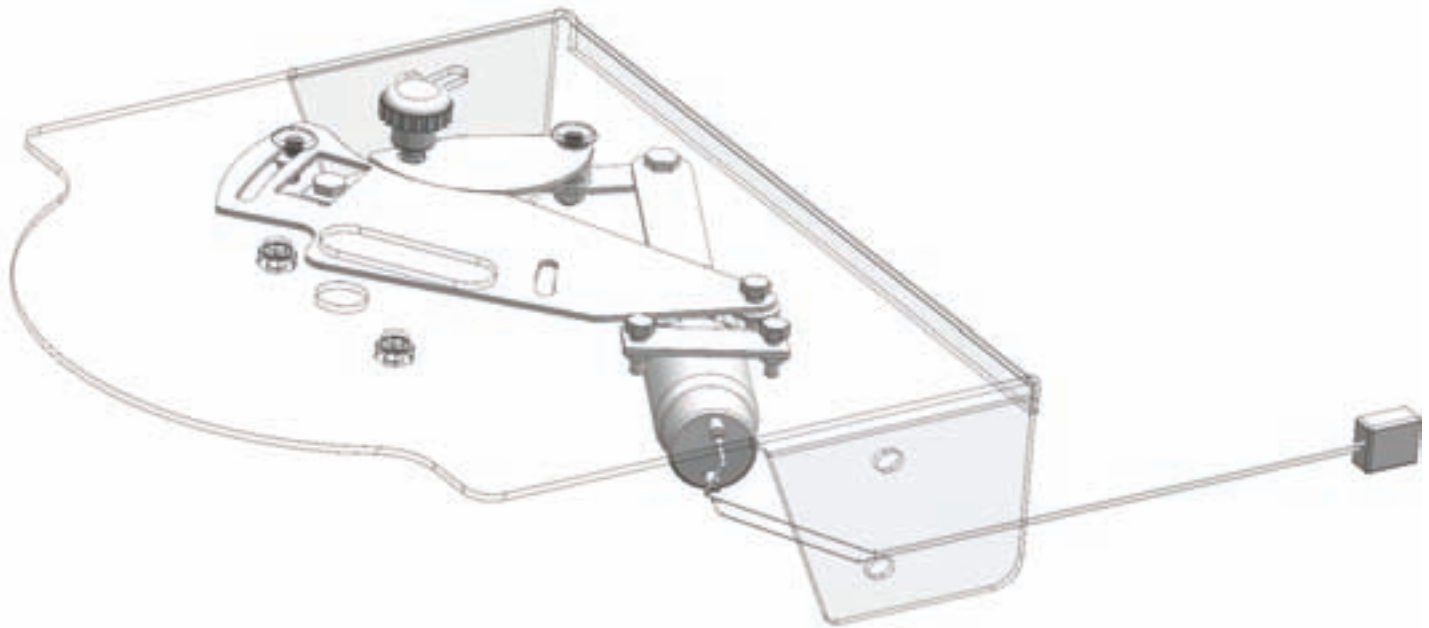
TS-300-EG

Electric Gate Control System



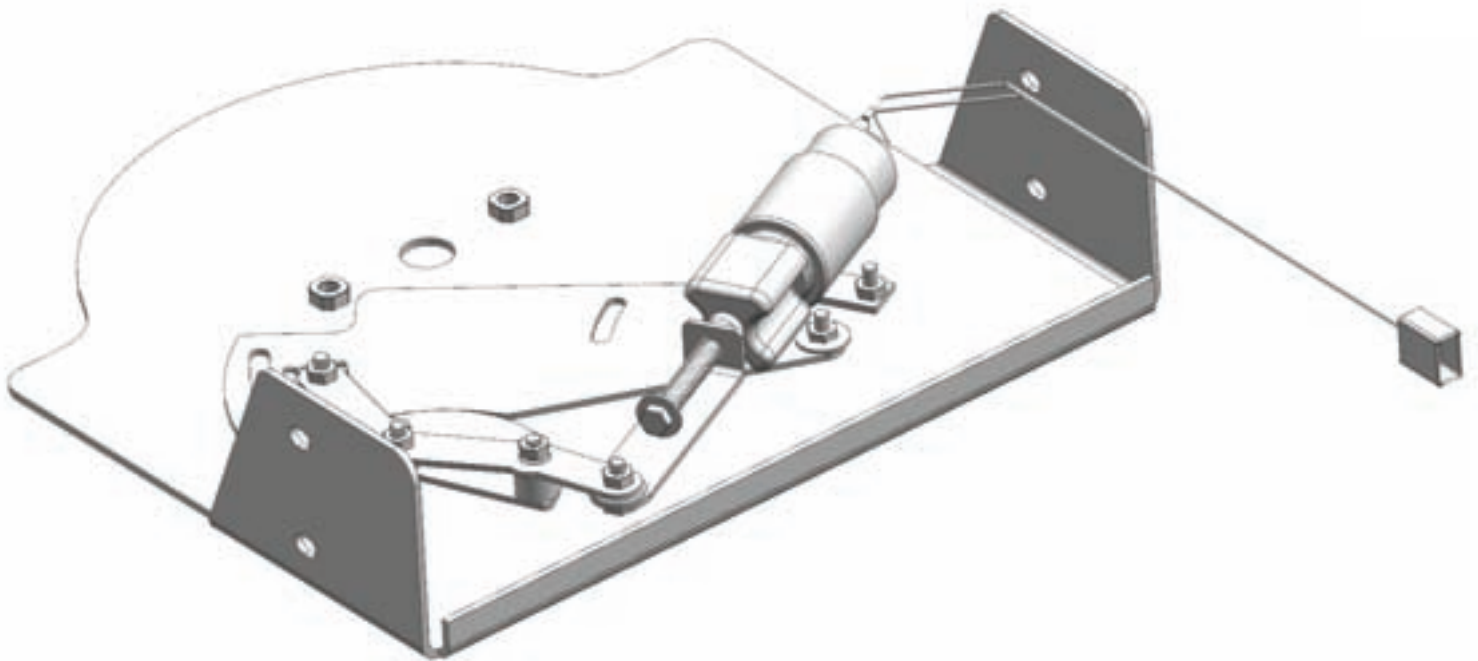
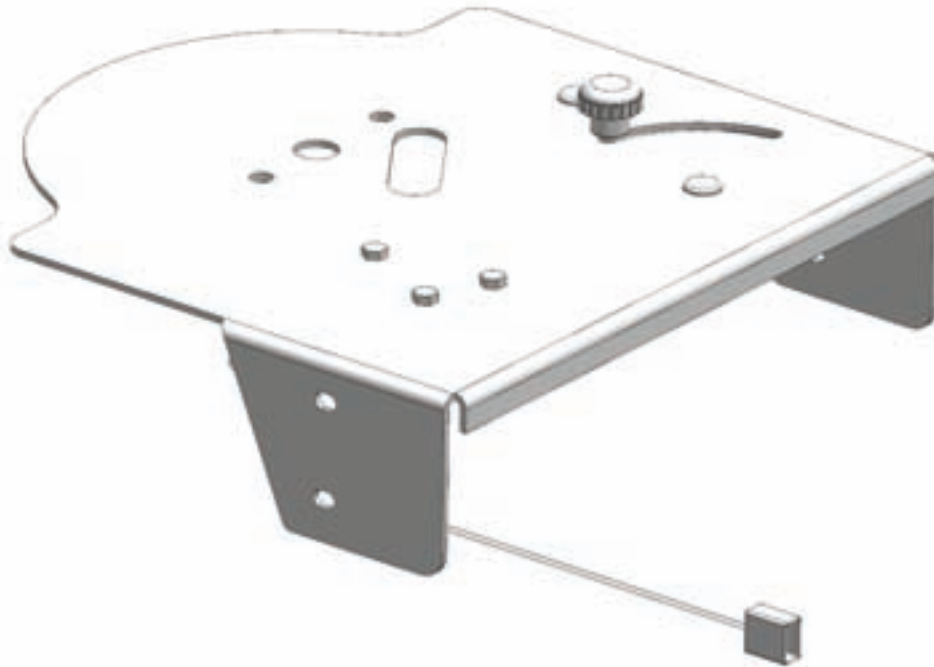
TS-300-EG GATE

Parts Breakdown



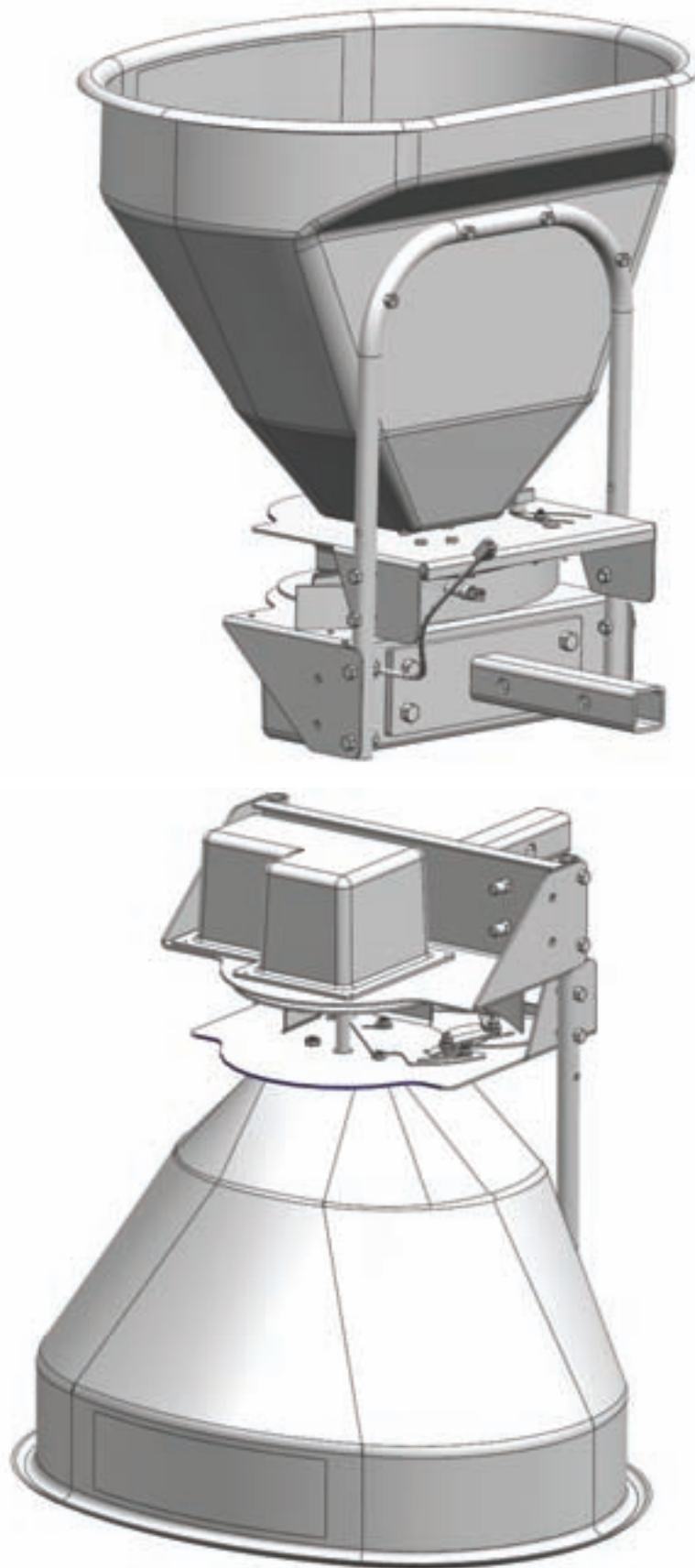
| Key | Part No. | Description | Qty. |
|-----------|----------|-------------------------------|------|
| 1 | T-15001 | Gate Deck | 1 |
| 2 | T-15037 | Gate Stop Spacer | 1 |
| 3 | T-15029 | Gate Stop Knob | 1 |
| 4 | T-15003 | Gate Stop | 1 |
| 5 | T-15002 | Gate Slide | 1 |
| 6 | T-15012 | 1/4-28 x 3 SHCS SS | 1 |
| 7 | T-15009 | Stainless Spring | 1 |
| 8 | T-15007 | Stainless Arm #3 | 1 |
| 9 | T-15006 | Stainless Arm #2 | 1 |
| 10 | T-15005 | Stainless Arm #1 | 1 |
| 11 | T-15008 | 12 Volt Actuator | 1 |
| 12 | T-15020 | Actuator Power Cord | 1 |
| 13 | D 6166 | 5/16-18 x 1 Hex Bolt | 1 |
| 14 | T-15021 | 1/4-20 x 3/4 PPH MS Stainless | 5 |
| 15 | T-15016 | 1/4-20 Nylock Stainless | 4 |
| 16 | T-15017 | 5/16 Nylon Flat Washer | 2 |
| 17 | T-15018 | 5/16-18 Nylock Stainless | 4 |
| 18 | T-15023 | 1/4" Nylon Flat Washer | 3 |
| 19 | T-15013 | 1/4-28 Jam Nut Stainless | 1 |
| 20 | T-15014 | 1/4" Flat Washer Stainless | 1 |

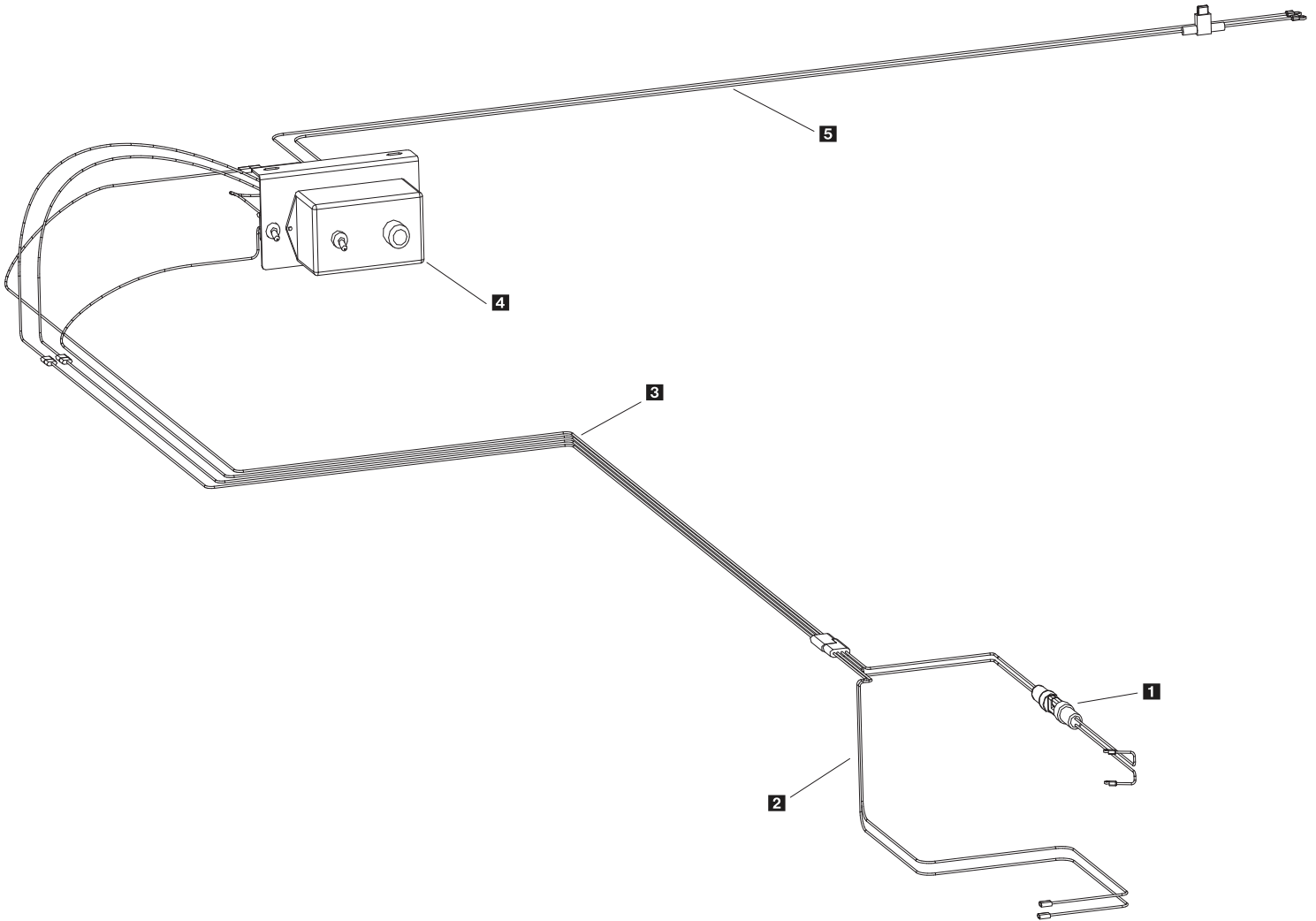
TS-300-EG
Gate Assembly Views



TS-300-EG

Front & Rear Assembly Views

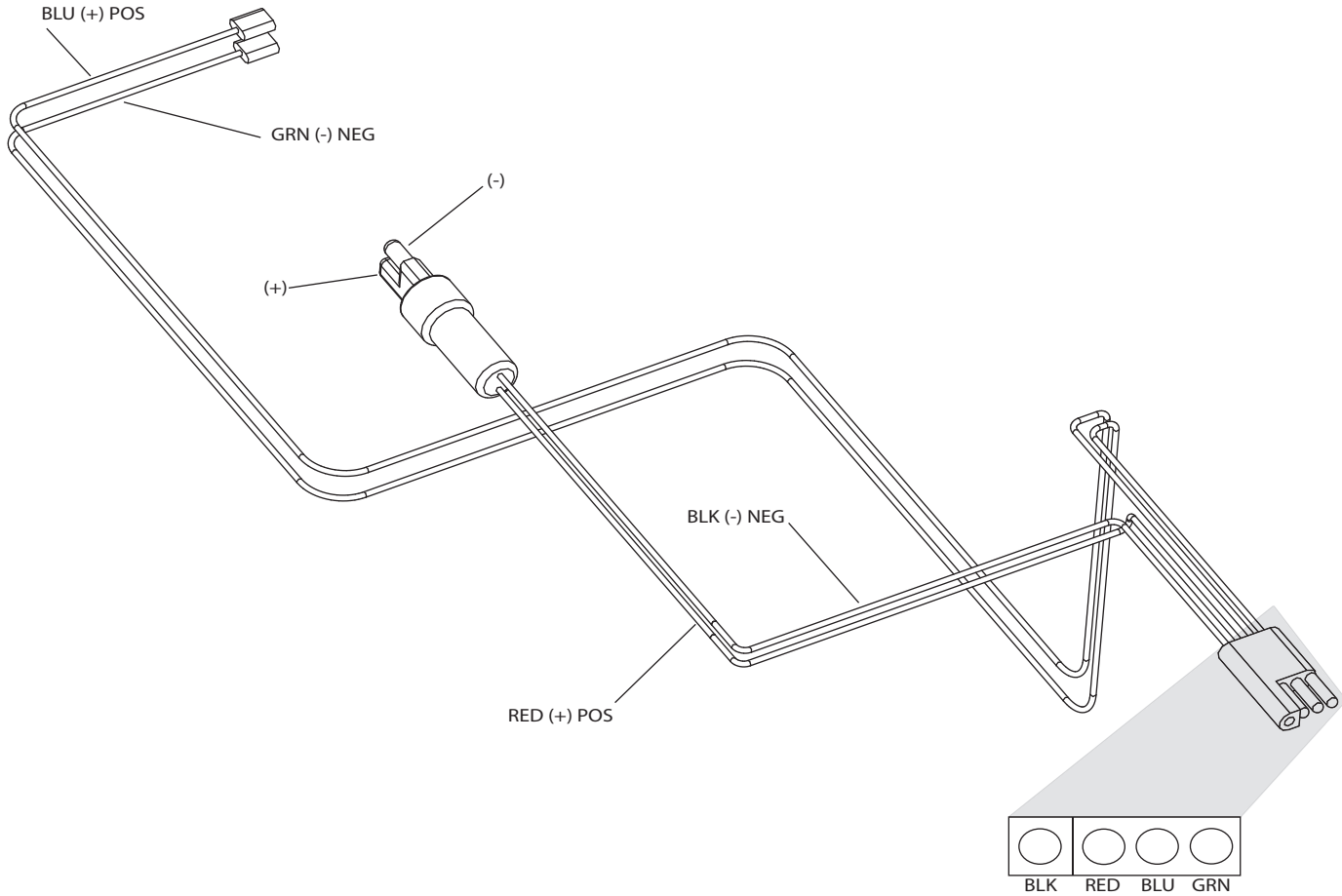




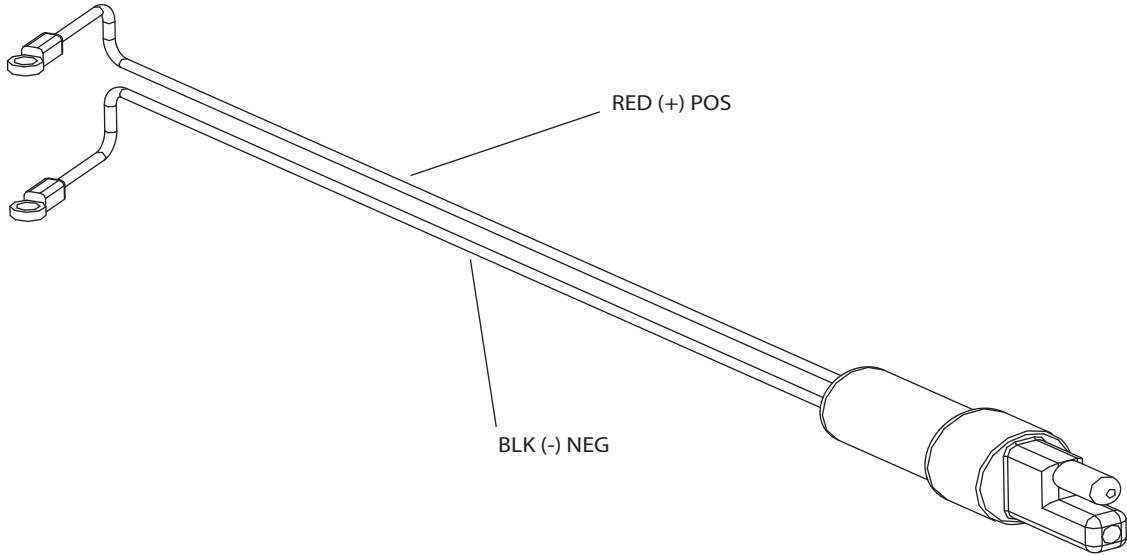
| Key | Part No. | Description | Qty. |
|----------|----------|------------------|------|
| 1 | T 15020 | SOLENOID WHIP | 1 |
| 2 | T 15034 | SPREADER HARNESS | 1 |
| 3 | T 15028 | VEHICLE HARNESS | 1 |
| 4 | D 7171 | CONTROL | 1 |
| 5 | T 15011 | BATTERY HARNESS | 1 |

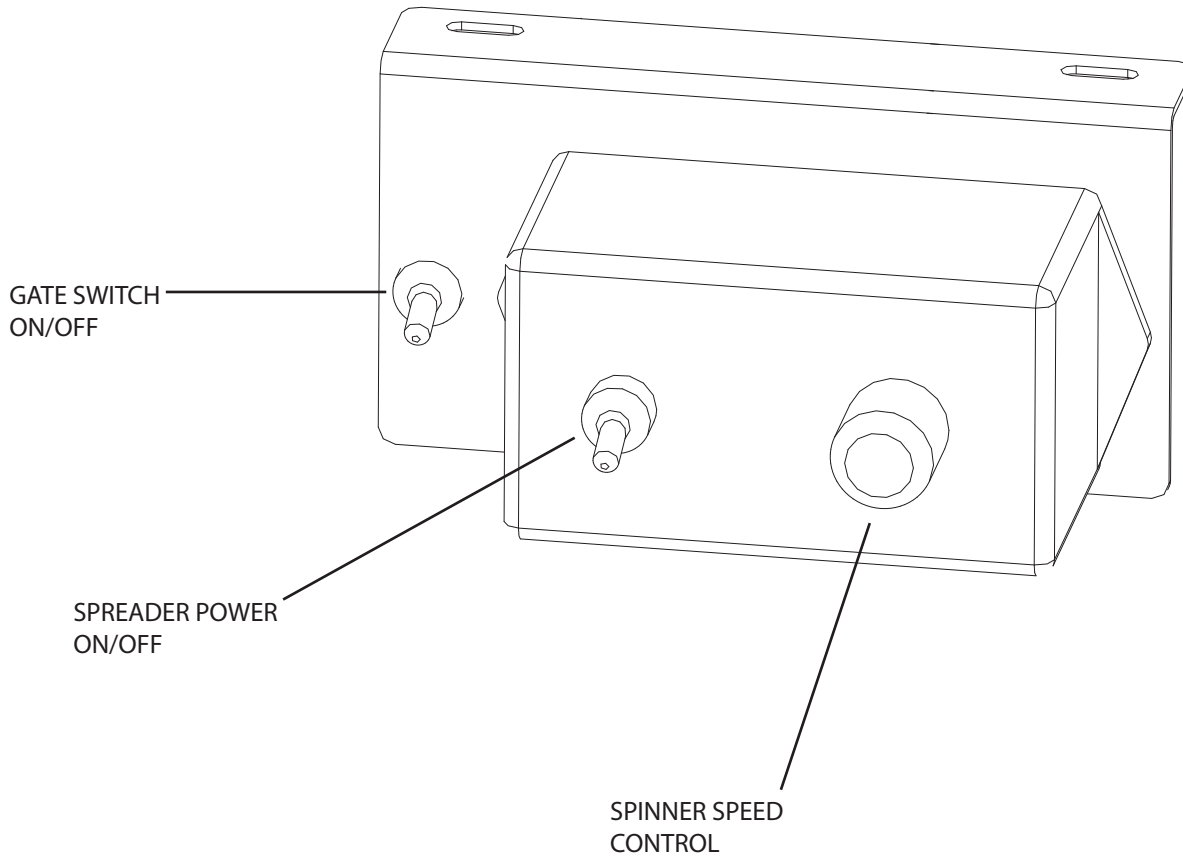
TS-300-EG Spreader Harness T 15034

Parts Breakdown

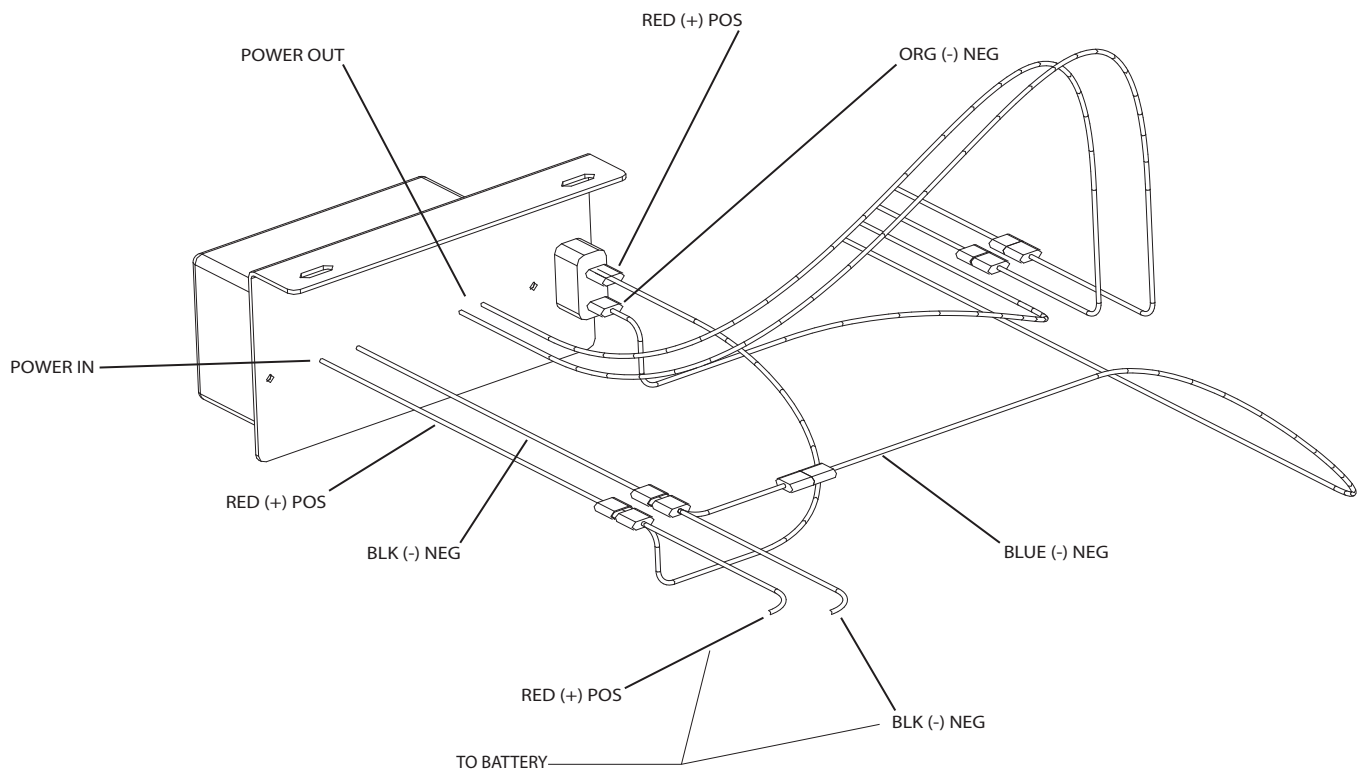


TS-300-EG Solenoid Power Cord T 15020

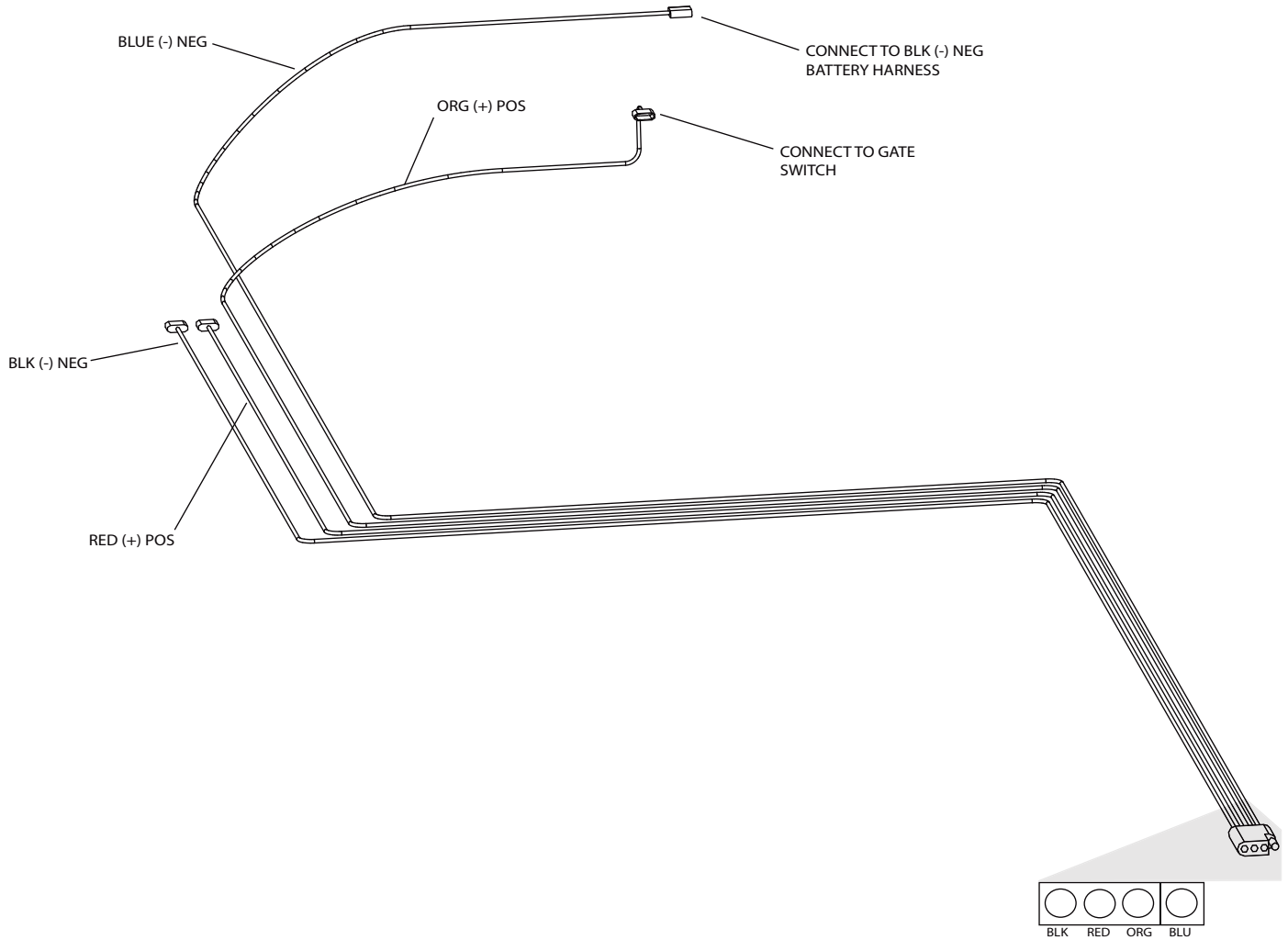




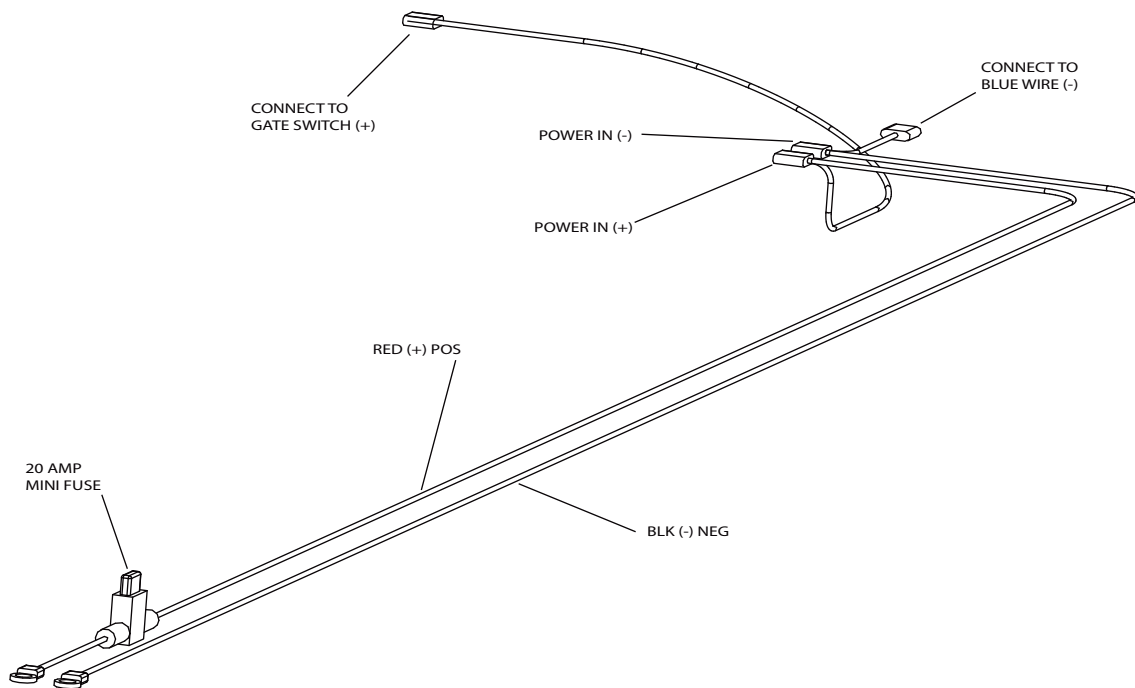
TS-300-EG Control Back View



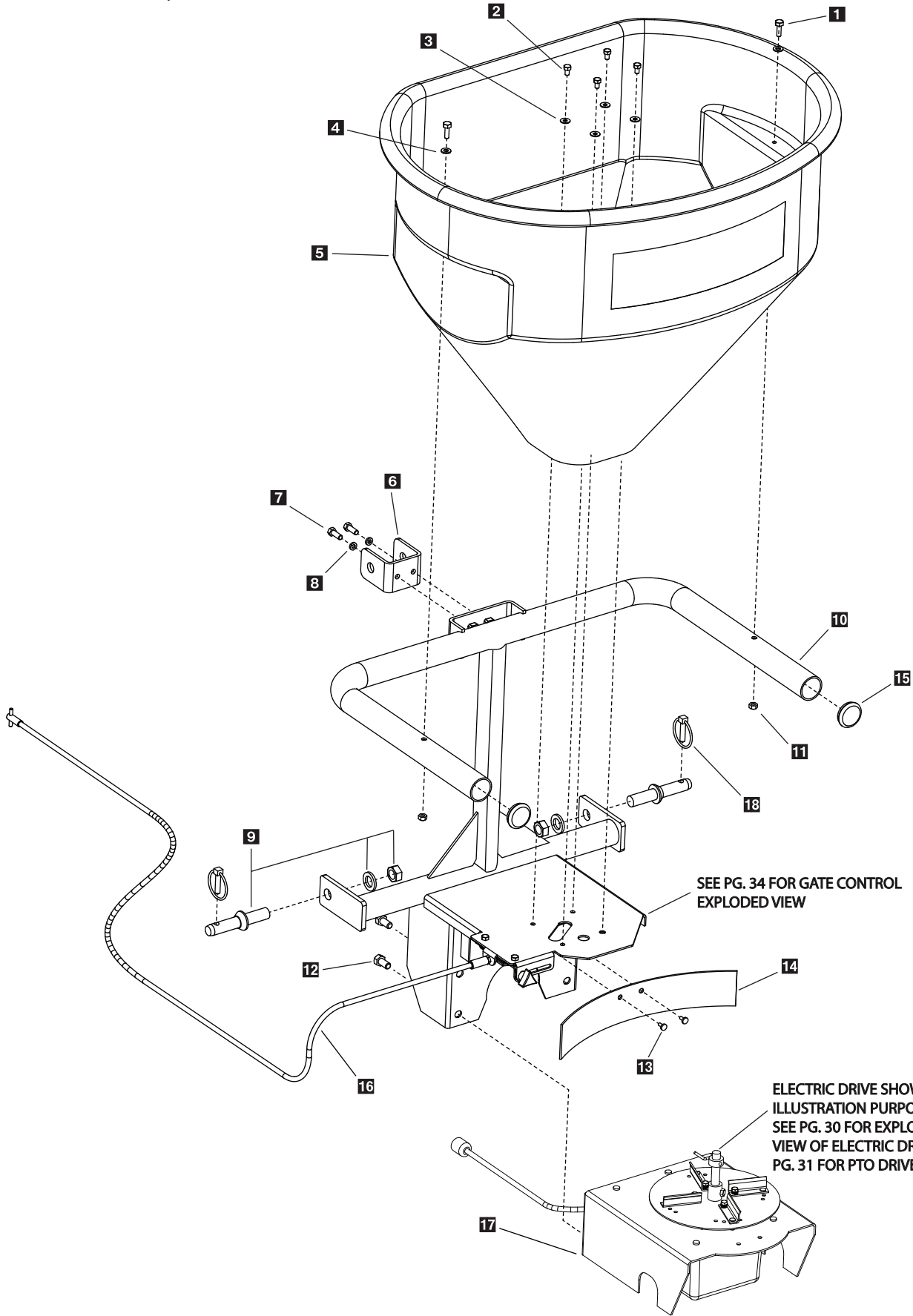
TS-300-EG Vehicle Harness T 15028



TS-300-EG Battery Harness T 15011



TS-700-E / TS-700-P
Main Frame Assembly



TS-700-E / TS-700-P
 Assembly Views



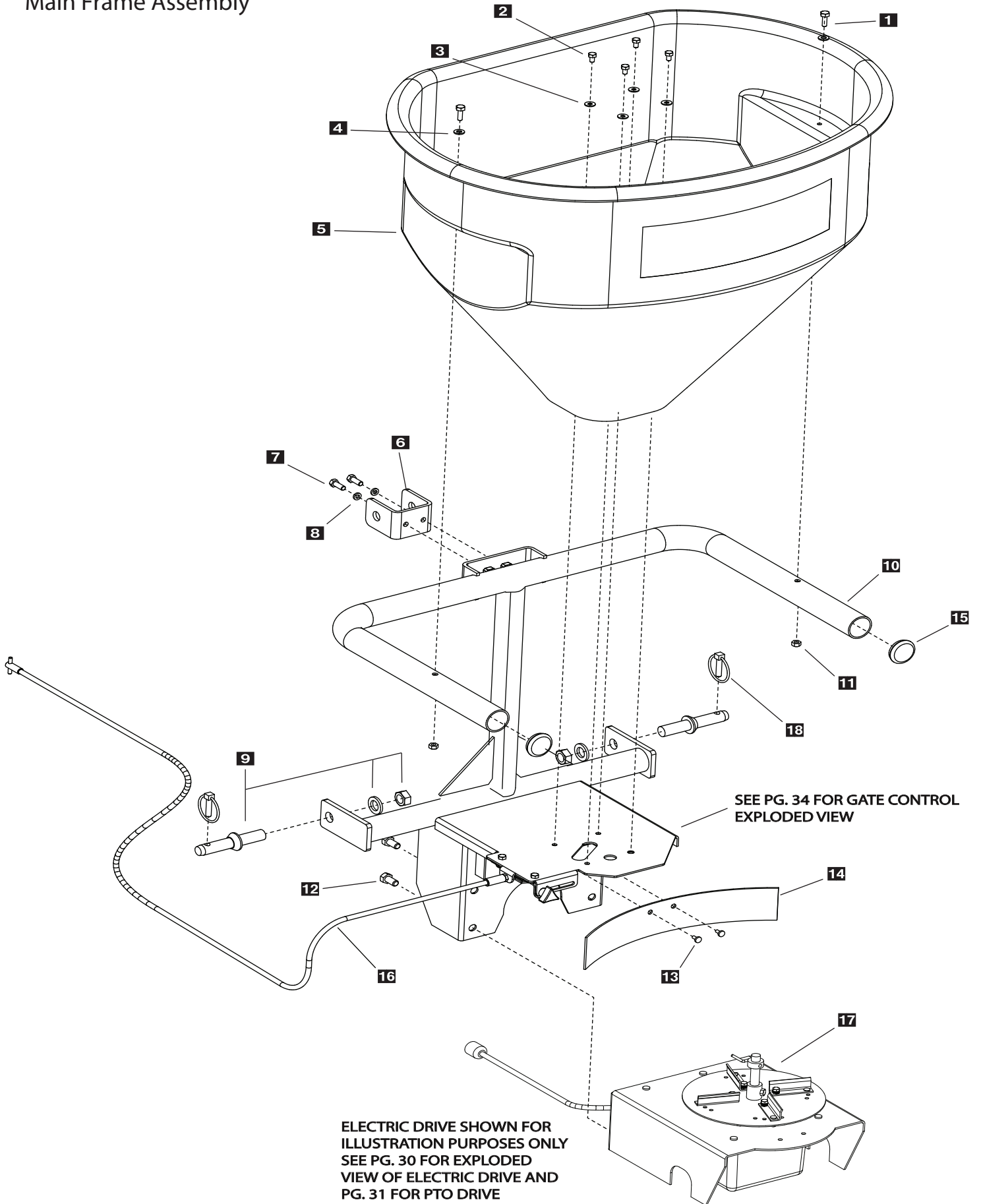
TS-700-E



TS-700-P

| Key | Part No. | Description | Qty. | Key | Part No. | Description | Qty. |
|-----------|----------|----------------------------|------|-----------|----------|-------------------------------------|------|
| 1 | D 5724 | 3/8-16 x 1-3/4 HHCS | 2 | 11 | D 4124 | 3/8-16 Lock Nut | 2 |
| 2 | D 6576 | 5/16-18 X 1-1/4 HHCS | 4 | 12 | D 6528 | 1/2-13 x 1 Flange Bolt | 4 |
| 3 | D 6165 | 5/16 USS Flat Washer | 4 | 13 | D 6463 | Large Plastic Push Pin | 2 |
| 4 | D 4125 | 3/8 USS Flat Washer | 2 | 14 | D 6110 | Plastic Deflector | 1 |
| 5 | T 30200 | Hopper | 1 | 15 | T 30219 | Plastic Tube End Cap | 2 |
| 6 | T 30204 | Clevis Three Point Bracket | 1 | 16 | | Complete Gate Assembly (see pg 29) | 1 |
| 7 | D 4121 | 3/8-16 x 1 HHCS | 2 | 17 | A 6223 | Complete Drive Assembly (see pg 26) | 1 |
| 8 | D 4313 | 3/8 Lock Washer | 2 | 18 | D 4133 | 5/16 Lynch Pin | 2 |
| 9 | D 4137 | Lift Arm Pin Assembly | 2 | | | | |
| 10 | T 30203 | Frame Weldment | 1 | | | | |

TS-1200-E / TS-1200-P
Main Frame Assembly



TS-1200-E / TS-1200-P
 Assembly Views



TS-1200-P

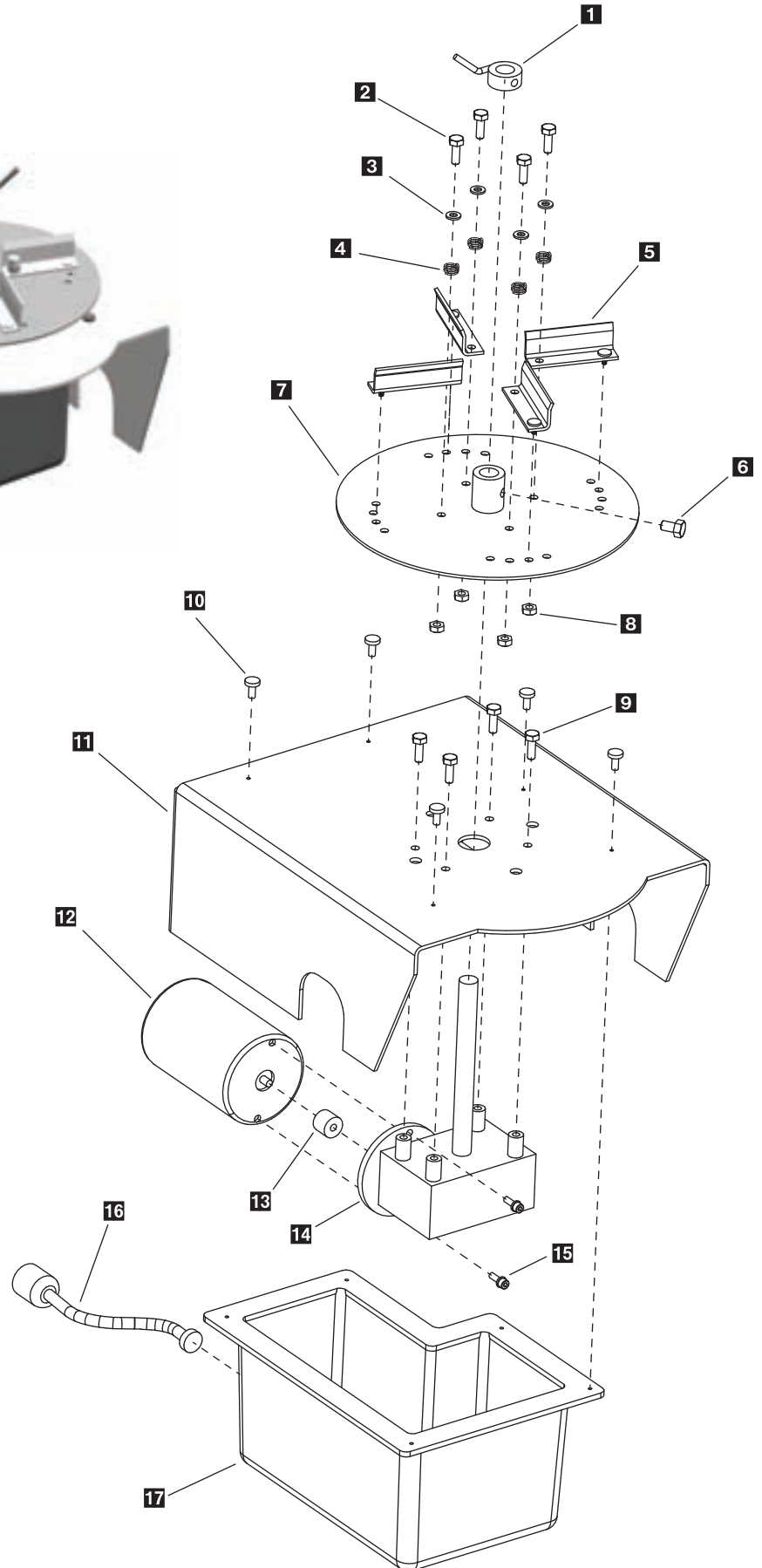
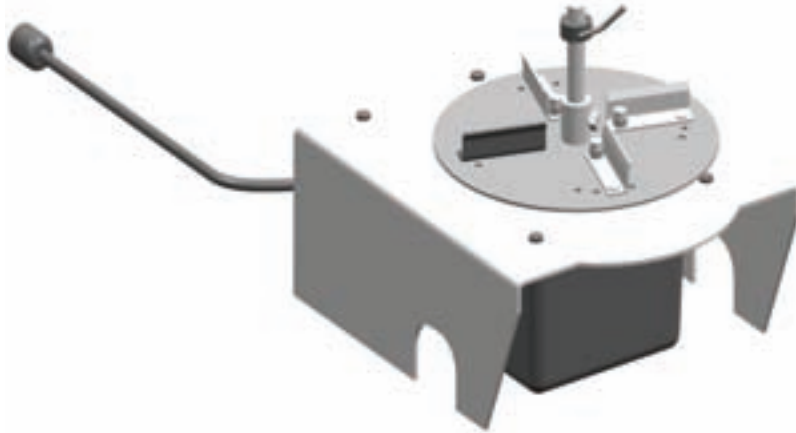


TS-1200-E

| Key | Part No. | Description | Qty. | Key | Part No. | Description | Qty. |
|-----------|----------|----------------------------|------|-----------|----------|-------------------------------------|------|
| 1 | D 5724 | 3/8-16 x 1-3/4 HHCS | 2 | 11 | D 4124 | 3/8-16 Lock Nut | 2 |
| 2 | D 6576 | 5/16-18 X 1-1/4 HHCS | 4 | 12 | D 6528 | 1/2-13 x 1 Flange Bolt | 4 |
| 3 | D 6165 | 5/16 USS Flat Washer | 4 | 13 | D 6463 | Large Plastic Push Pin | 2 |
| 4 | D 4125 | 3/8 USS Flat Washer | 2 | 14 | D 6110 | Plastic Deflector | 1 |
| 5 | T 30300 | Hopper | 1 | 15 | T 30219 | Plastic Tube End Cap | 2 |
| 6 | T 30204 | Clevis Three Point Bracket | 1 | 16 | | Complete Gate Assembly (see pg 29) | 1 |
| 7 | D 4121 | 3/8-16 x 1 HHCS | 2 | 17 | A 6223 | Complete Drive Assembly (see pg 31) | 1 |
| 8 | D 4313 | 3/8 Lock Washer | 2 | 18 | D 4133 | 5/16 Lynch Pin | 2 |
| 9 | D 4137 | Lift Arm Pin Assembly | 2 | | | | |
| 10 | T 30304 | Frame Weldment | 1 | | | | |

TS-700-E / TS-1200-E

Electric Drive Exploded View



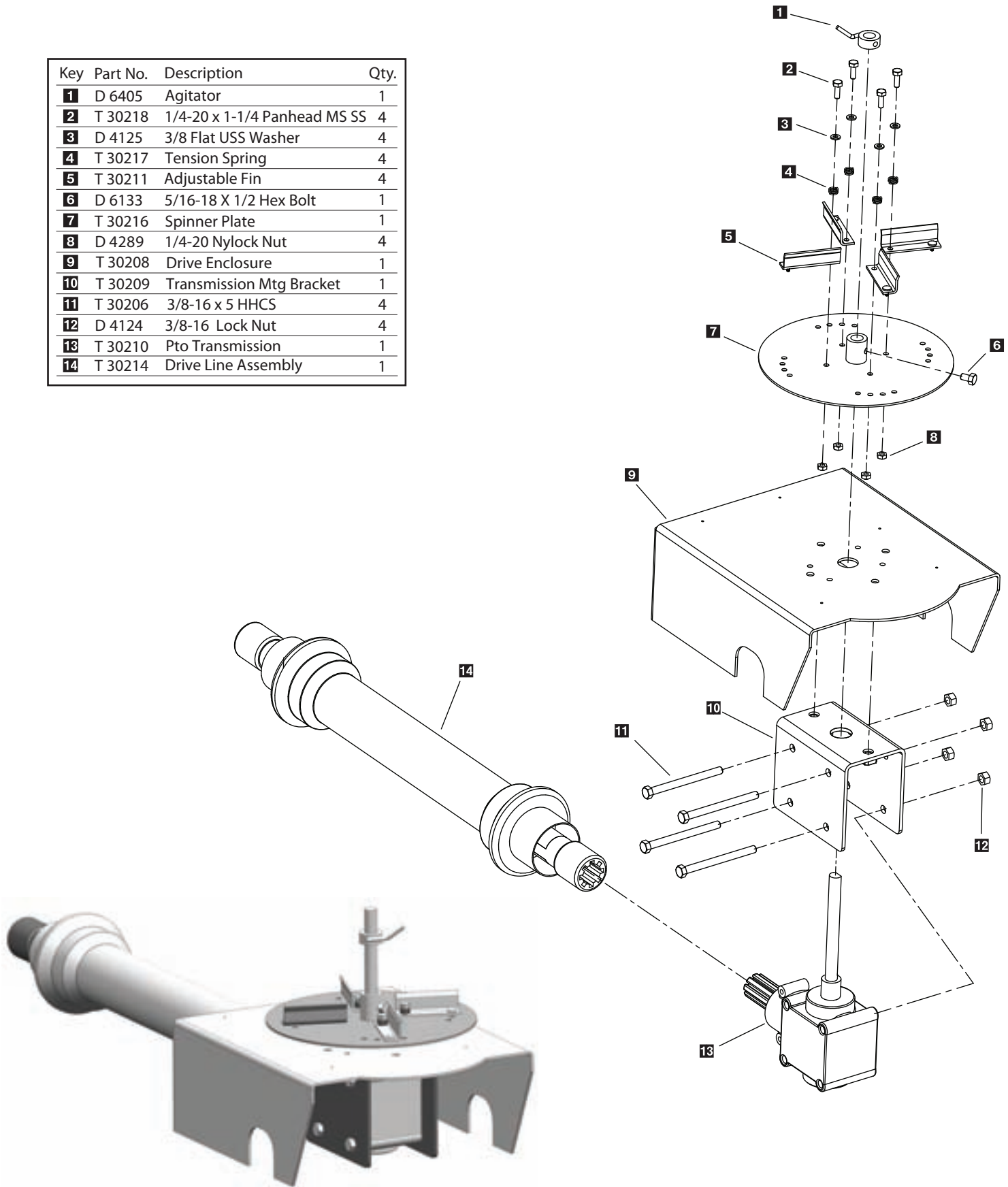
| Key | Part No. | Description | Qty. |
|-----------|----------|------------------------------|------|
| 1 | D 6405 | Agitator | 1 |
| 2 | T 30218 | 1/4-20 x 1-1/4 Panhead MS SS | 4 |
| 3 | D 4125 | 3/8 Flat USS Washer | 4 |
| 4 | T 30217 | Tension Spring | 4 |
| 5 | T 30211 | Adjustable Fin | 5 |
| 6 | D 6133 | 5/16-18 X 1/2 Hex Bolt | 1 |
| 7 | T 30216 | Spinner Plate | 1 |
| 8 | D 4289 | 1/4-20 Nylock Nut | 4 |
| 9 | D 6131 | 1/4-20 x 1/2 Serrated Flange | 4 |
| 10 | D 6487 | #8 x 1/2 HWH With Slot | 5 |
| 11 | T 30208 | Drive Enclosure | 1 |
| 12 | D 6106 | 12 Volt Spinner Motor | 1 |
| 13 | D 6232 | Drive Coupler | 1 |
| 14 | D 6715 | Spinner Transmission | 1 |
| 15 | D 6172 | #10-32 x 5/8 Serrated Flange | 2 |
| 16 | D 6115 | Power Cord | 1 |
| 17 | D 7153 | Plastic Motor Cover | 1 |

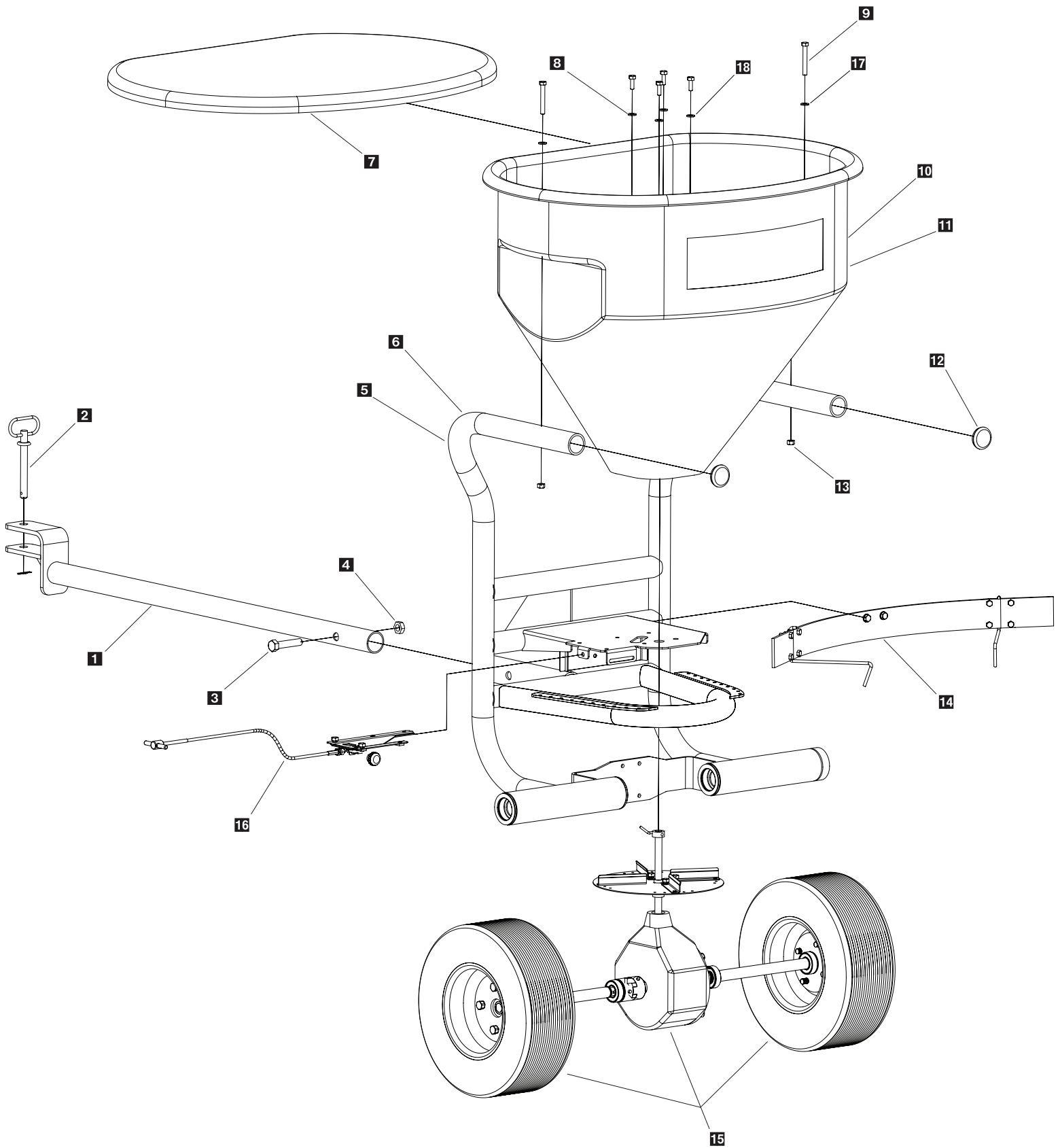
TS-700-P / TS-1200-P

PTO Drive Exploded View



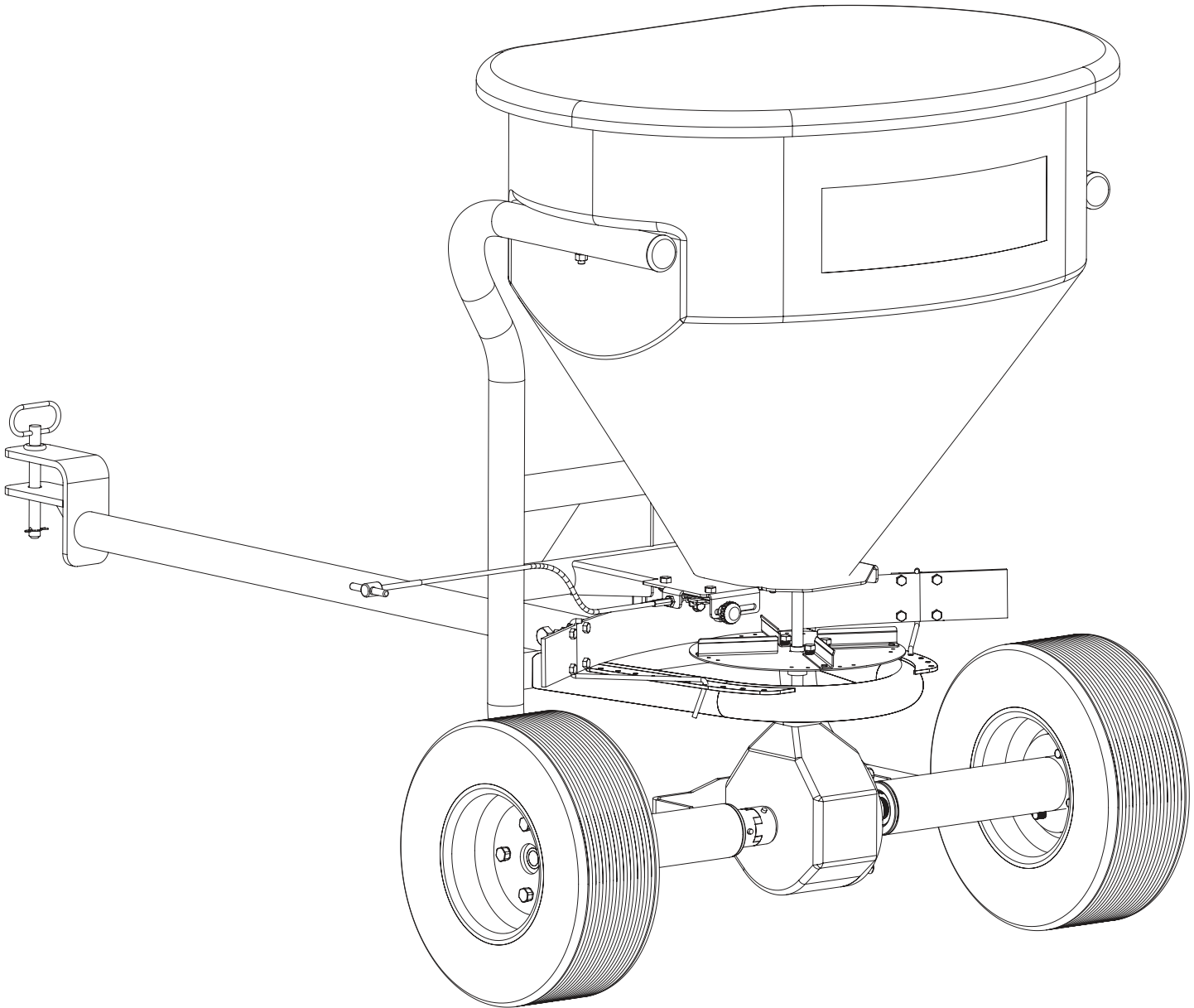
| Key | Part No. | Description | Qty. |
|-----|----------|------------------------------|------|
| 1 | D 6405 | Agitator | 1 |
| 2 | T 30218 | 1/4-20 x 1-1/4 Panhead MS SS | 4 |
| 3 | D 4125 | 3/8 Flat USS Washer | 4 |
| 4 | T 30217 | Tension Spring | 4 |
| 5 | T 30211 | Adjustable Fin | 4 |
| 6 | D 6133 | 5/16-18 X 1/2 Hex Bolt | 1 |
| 7 | T 30216 | Spinner Plate | 1 |
| 8 | D 4289 | 1/4-20 Nylock Nut | 4 |
| 9 | T 30208 | Drive Enclosure | 1 |
| 10 | T 30209 | Transmission Mtg Bracket | 1 |
| 11 | T 30206 | 3/8-16 x 5 HHCS | 4 |
| 12 | D 4124 | 3/8-16 Lock Nut | 4 |
| 13 | T 30210 | Pto Transmission | 1 |
| 14 | T 30214 | Drive Line Assembly | 1 |





TS-700-GR / TS-1200-GR

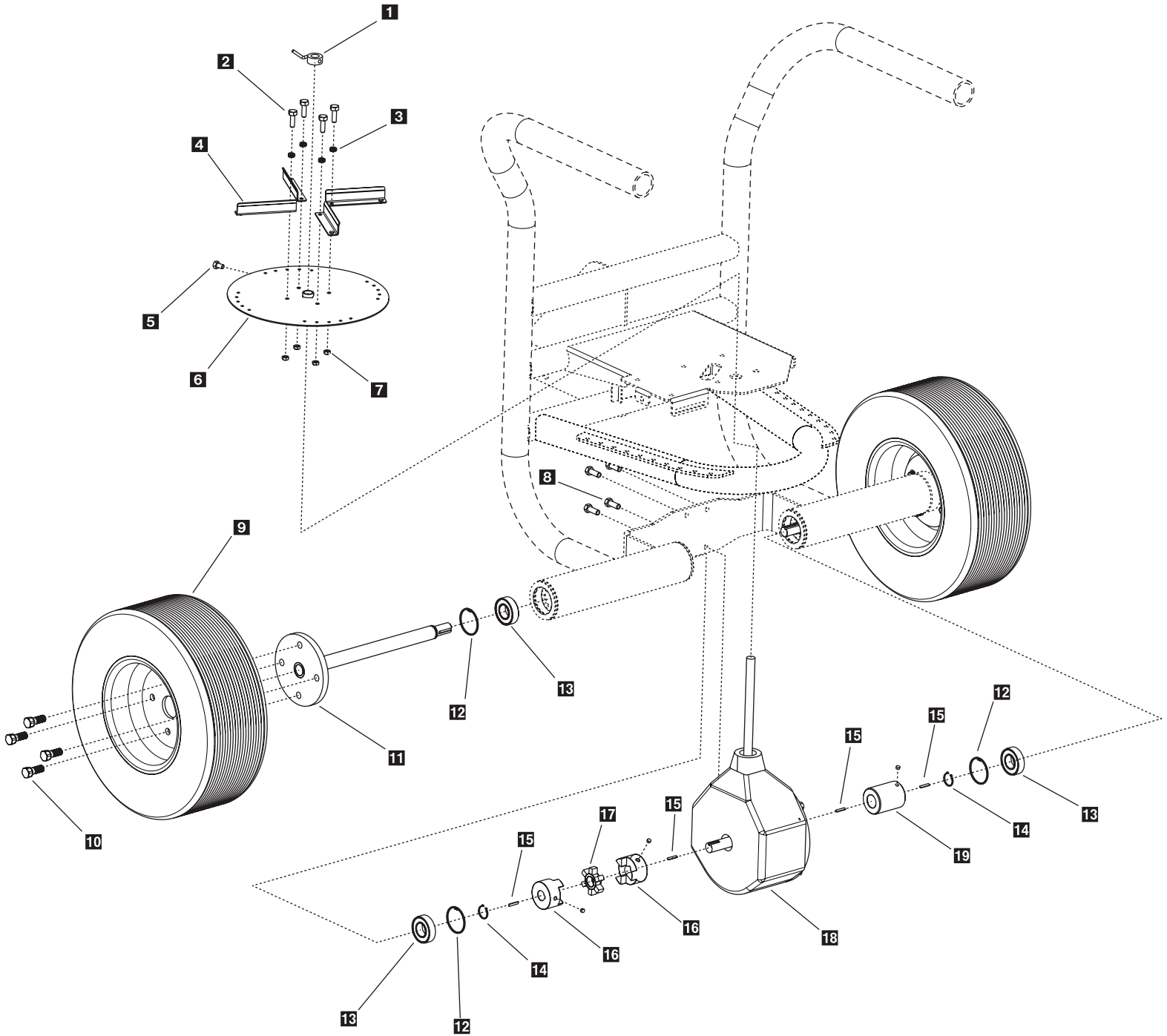
Assembly Breakdown



| Key | Part No. | Description | Qty. | Key | Part No. | Description | Qty. |
|-----------|----------|---|------|-----------|----------|---|------|
| 1 | T 30231 | Drawbar | 1 | 11 | T 30200 | 700 Series Hopper | 2 |
| 2 | D 4136 | Hitch Pin W/Clip | 1 | 12 | T 30219 | 2 Inch Plastic End Cap | 4 |
| 3 | D 4126 | 5/8-11 x 3-1/2 Hex Head | 1 | 13 | D 4124 | 3/8-15 Nylox Nut Zinc | 2 |
| 4 | D 4127 | 5/8-11 Nylox Nut | 1 | 14 | | Adjustable Deflector Assembly (See Pg. 43) | |
| 5 | T 30225 | 700 Series Frame | 1 | 15 | | Spinner/Axle Drive Assembly (See Pg. 32,33) | |
| 6 | T 30240 | 1200 Series Frame | 1 | 16 | | Gate Control Assembly (See Pg. 32) | |
| 7 | T 30215 | Clear Cover | 1 | 17 | D 4125 | 3/8 Flat Washer Zinc | 2 |
| 8 | D 6137 | 5/16-18 x 1-1/4 Phillips Pan Head MS SS | 4 | 18 | D 6169 | 3/8 Flat Washer SS | 4 |
| 9 | D 5724 | 3/8-16 x 2-3/4 Hex Head | 2 | | | | |
| 10 | T 30300 | 1200 Series Hopper | 1 | | | | |

TS-700-GR/TS-1200-GR

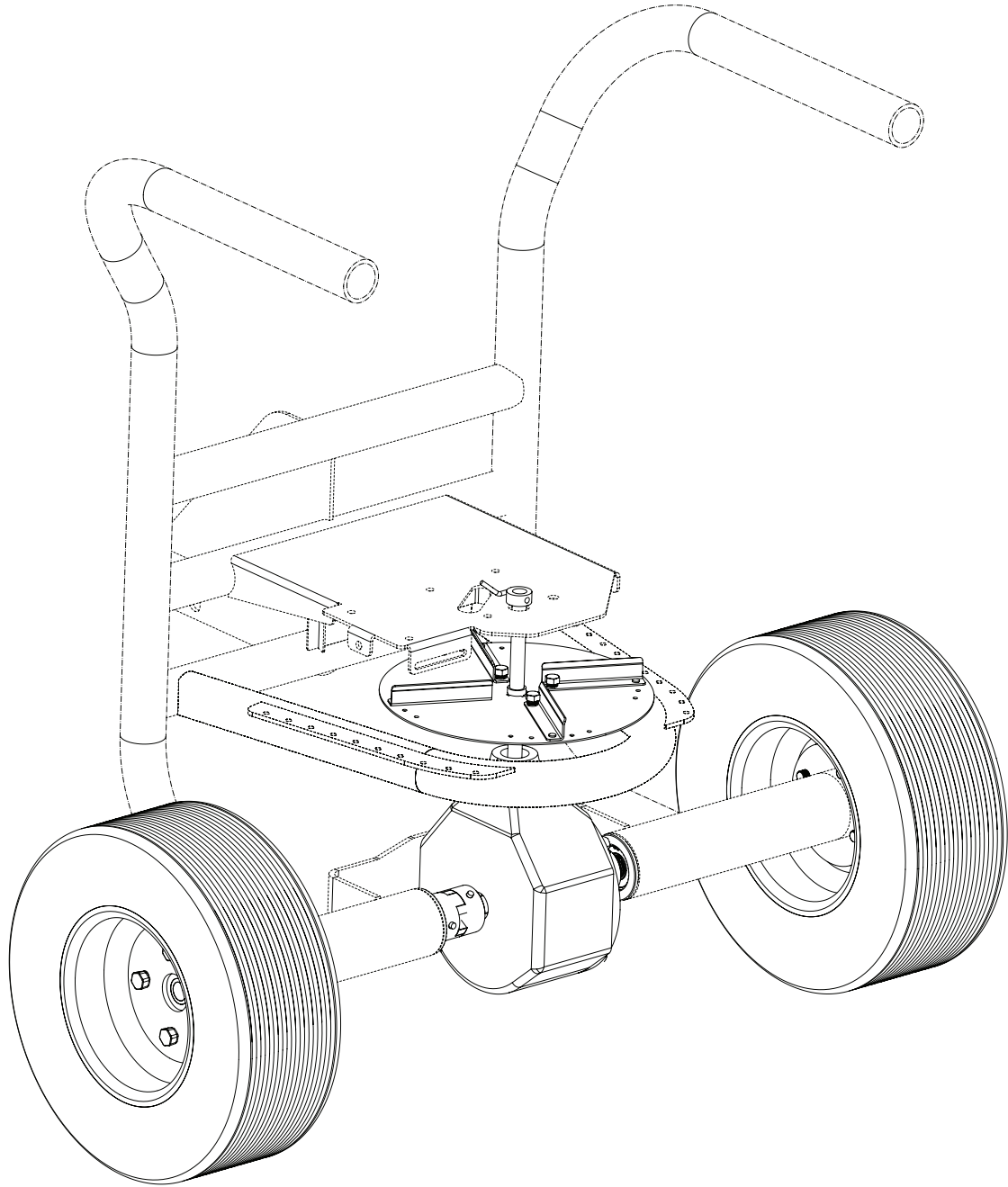
Drive Assembly



TS-700-GR/TS-1200-GR



Parts Breakdown

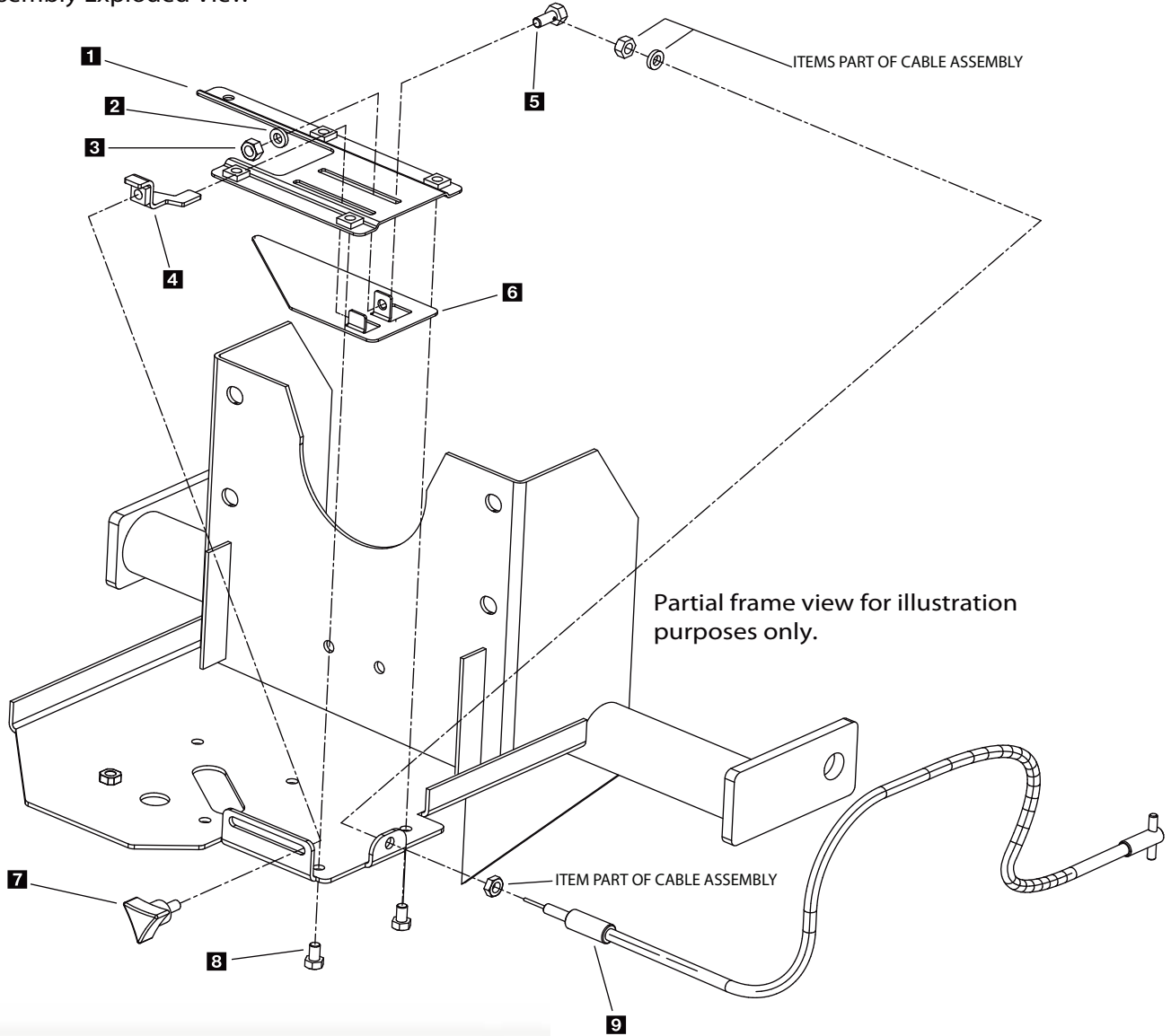


| Key | Part No. | Description | Qty. | Key | Part No. | Description | Qty. |
|-----|----------|-----------------------------|------|-----|----------|---------------------------|------|
| 1 | D 6705 | Agitator | 1 | 12 | T 30233 | 52 mm Bearing Retainer | 4 |
| 2 | T 30218 | 1/4-20 x 1-1/4 Panhead MSSS | 4 | 13 | T 30232 | Bearing | 4 |
| 3 | T 30217 | Fin Tension Spring | 4 | 14 | T 30234 | 1 Inch Retainer Ring | 2 |
| 4 | T 30211 | Adjustable Flite | 4 | 15 | D 6873 | 3/16 Keyway Stock | 4 |
| 5 | D 6133 | 5/16-18 x 1/2 HHCS | 1 | 16 | D 6842 | Lovejoy Coupling | 2 |
| 6 | T 30216 | 10 Inch Spinner Plate | 1 | 17 | D 6843 | Spyder | 1 |
| 7 | T 15016 | 1/4-20 Nylock Nut SS | 4 | 18 | T 30226 | Ground Drive Transmission | 1 |
| 8 | D 6576 | 5/16-18 x 1-1/4 HHCS | 4 | 19 | T 30236 | Coupling | 1 |
| 9 | T 30229 | Wheel Assembly | 2 | | | | |
| 10 | T 30230 | Lug Bolt | 8 | | | | |
| 11 | T 30227 | Axle | 2 | | | | |

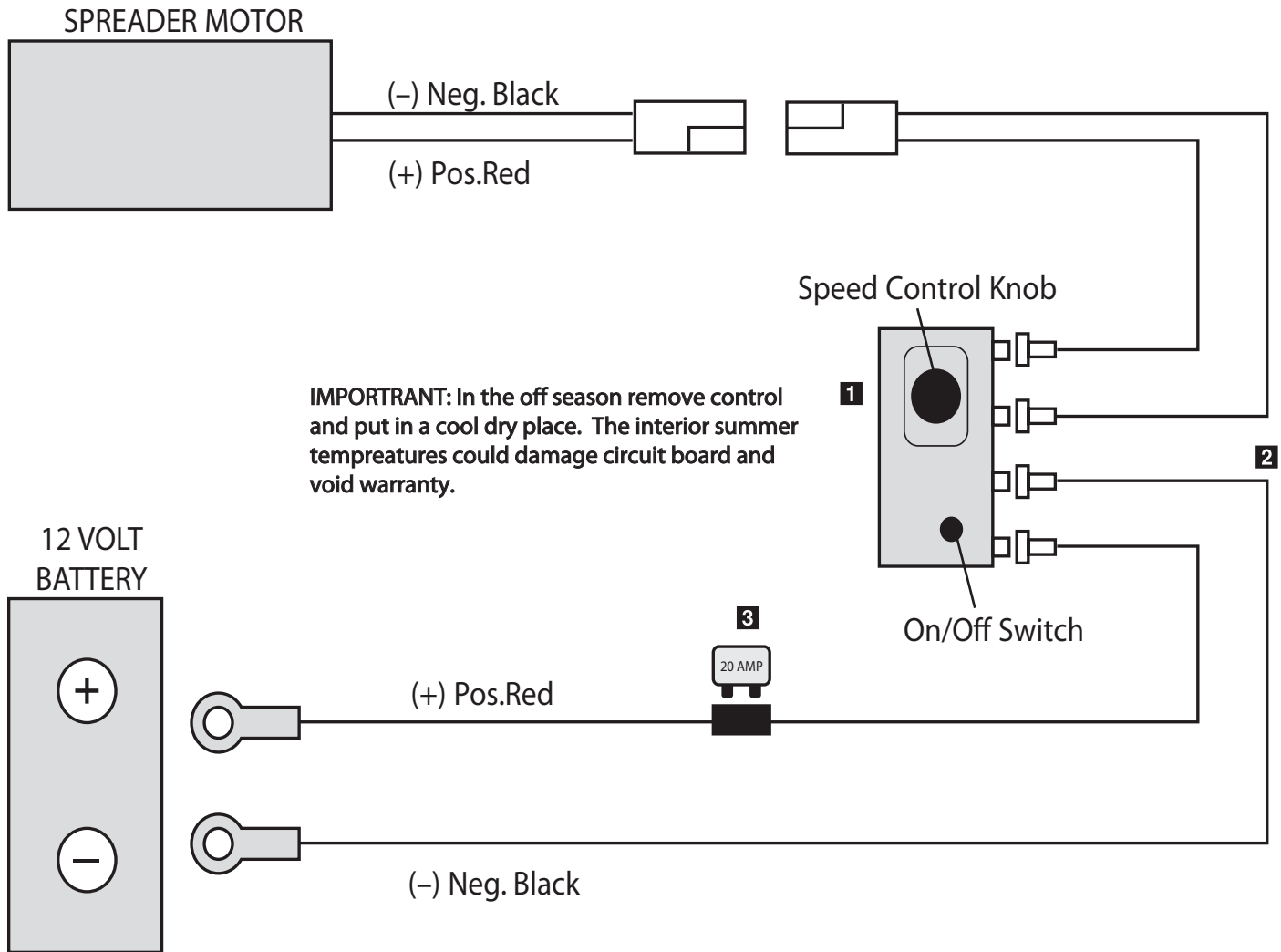
TS-700-E/GR/P & TS-1200-E/GR/P



Gate Assembly Exploded View



| Key | Part No. | Description | Qty. |
|-----|----------|----------------------------|------|
| 1 | D 6704 | Gate Track | 1 |
| 2 | D 6155 | 5/16 Lock Washer | 1 |
| 3 | D 6168 | 5/16 Hex Nut | 1 |
| 4 | D 6703 | Gate Stop Bracket | 1 |
| 5 | D 6308 | 5/16-18 x 3/4 HH With Hole | 1 |
| 6 | D 6705 | Gate Slide | 1 |
| 7 | D 6302 | Gate Slide Stop Knob | 1 |
| 8 | D 6133 | 5/16-18 x 1/2 HHCS | 2 |
| 9 | D 6304 | 10' T-Handle Gate Cable | 1 |

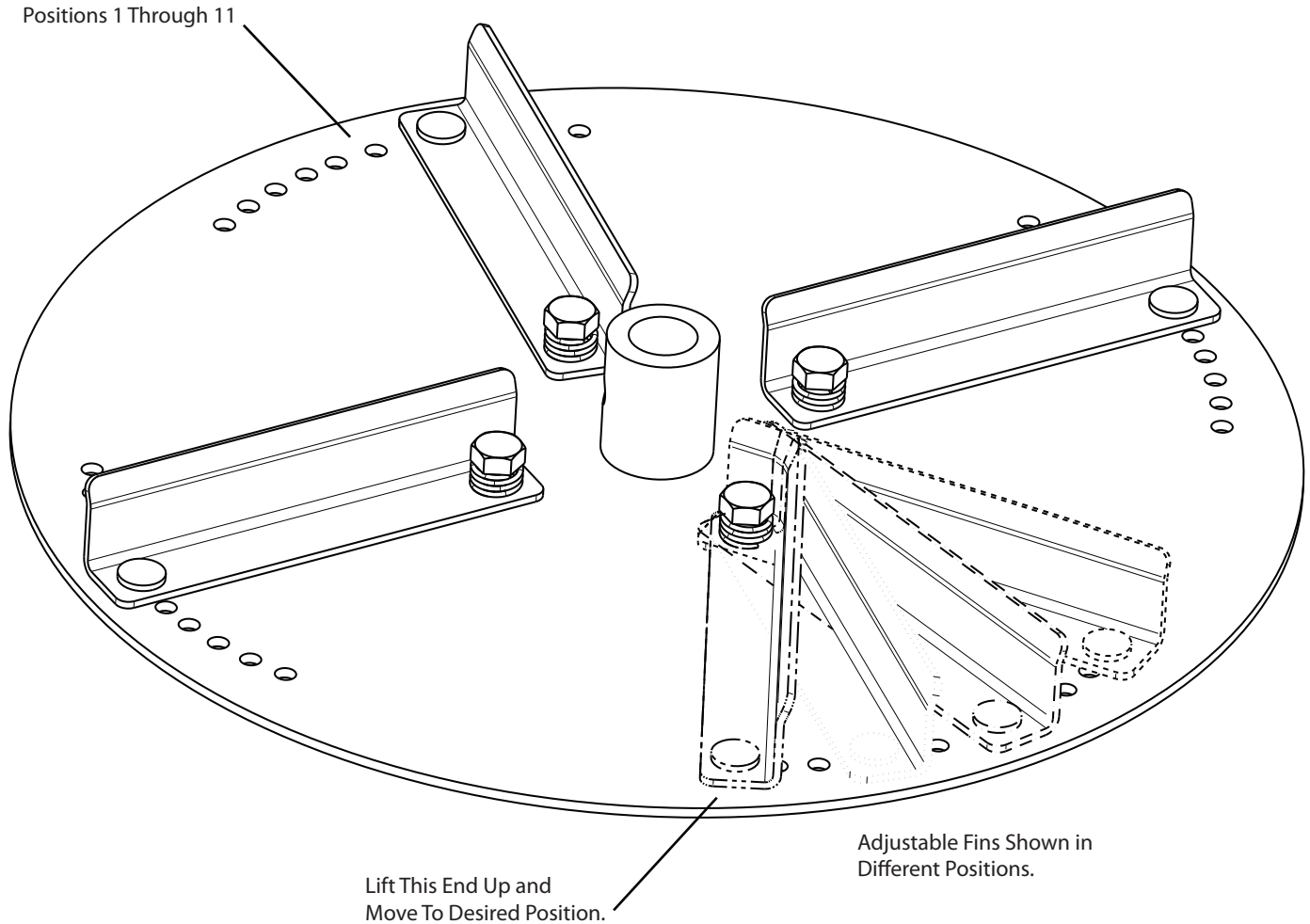


| Key | Part No. | Description | Qty. |
|----------|----------|----------------|------|
| 1 | D 7171 | Mini Control | 1 |
| 2 | D 7201 | Harness | 1 |
| 3 | D 6482 | 20 Amp Breaker | 1 |

THIS PAGE INTENTIONALLY LEFT BLANK

THIS PAGE INTENTIONALLY LEFT BLANK

Adjustable Spinner Assembly



The purpose of the adjustable fin is to provide a way to adjust spread patterns with different materials. You can select the desired position by simply lifting up on the outside top edge. You will notice that different materials act in different ways in relation to spinner speed. By moving the fins you will be able to correct most pattern issues without having to sacrifice spinner speed. All adjustments should be made on pavement and positions noted for future reference, this process should be incorporated into your normal calibration process.

TS - 300-E/EG & TS - 700/ TS - 1200 E/GR/P

Calibration Chart



| TURFEX TS-300-E/EG | | | | | |
|--------------------|-------------|---------------|-----------------|--------------------|-------------------|
| GATE SETTING | UREA 46-0-0 | LESCO TURFACE | LESCO SHADE MIX | LESCO FERT 30-0-10 | LESCO INSECTICIDE |
| 1 | X | X | X | X | 0.57 |
| 2 | 1.39 | 0.83 | X | 0.39 | 5.28 |
| 3 | 7.15 | 2.11 | X | 3.84 | 14.38 |
| 4 | 10.54 | X | 0.18 | 8.79 | 18.06 |
| 5 | 15.97 | X | 0.40 | 13.55 | 30.24 |
| 6 | 24.66 | X | 0.51 | 17.07 | 35.04 |
| 7 | 31.36 | 14.70 | 0.66 | 23.94 | 50.32 |
| 8 | 35.70 | X | 0.98 | 29.74 | 56.22 |
| 9 | 47.70 | X | 1.78 | 39.38 | 64.56 |
| 10 | 55.29 | X | 5.59 | 45.20 | 76.47 |
| 11 | 63.39 | 37.95 | 7.27 | 53.22 | 82.59 |
| 12 | 73.59 | X | 8.72 | 64.64 | 106.49 |
| 13 | 78.60 | X | 10.00 | 69.06 | 122.64 |
| 14 | 83.08 | X | 11.81 | 73.80 | 133.72 |
| 15 | 93.52 | 57.32 | 11.94 | 91.32 | 145.00 |

FLOW RATES ARE CALCULATED AT POUNDS PER MINUTE

| TURFEX TS-700-E/GR/P CALIBRATION DATA | | | | | |
|---------------------------------------|-------------|---------------|-----------------|--------------------|-------------------|
| GATE SETTING | UREA 46-0-0 | LESCO TURFACE | LESCO SHADE MIX | LESCO FERT 30-0-10 | LESCO INSECTICIDE |
| 1 | 1.18 | X | X | X | 3.64 |
| 2 | 3.37 | 2.59 | .21 | 1.54 | 10.99 |
| 3 | 9.37 | 4.66 | .28 | 7.88 | 20.32 |
| 4 | 14.08 | X | 1.28 | 12.89 | 27.52 |
| 5 | 23.82 | X | 1.67 | 16.77 | 42.78 |
| 6 | 27.61 | X | 2.14 | 19.27 | 47.16 |
| 7 | 32.72 | 15.52 | 3.35 | 25.34 | 58.48 |
| 8 | 41.24 | X | 4.02 | 35.26 | 64.56 |
| 9 | 46.16 | X | 7.02 | 40.82 | 85.44 |
| 10 | 58.11 | X | 7.22 | 45.81 | 97.52 |
| 11 | 70.29 | 34.40 | 8.33 | 57.37 | 104.16 |
| 12 | 70.95 | X | 8.68 | 62.14 | 105.66 |
| 13 | 79.44 | X | 12.60 | 67.29 | 118.56 |
| 14 | 87.78 | X | 12.68 | 70.48 | 121.14 |
| 15 | 89.43 | 59.92 | 14.19 | 74.24 | 140.16 |

FLOW RATES ARE CALCULATED AT POUNDS PER MINUTE

| TURFEX TS-1200-E/GR/P CALIBRATION DATA | | | | | |
|--|-------------|---------------|-----------------|--------------------|-------------------|
| GATE SETTING | UREA 46-0-0 | LESCO TURFACE | LESCO SHADE MIX | LESCO FERT 30-0-10 | LESCO INSECTICIDE |
| 1 | X | X | X | X | 0.57 |
| 2 | 1.39 | 0.83 | X | 0.39 | 5.28 |
| 3 | 7.15 | 2.11 | X | 3.84 | 14.38 |
| 4 | 10.54 | X | 0.18 | 8.79 | 18.06 |
| 5 | 15.97 | X | 0.40 | 13.55 | 30.24 |
| 6 | 24.66 | X | 0.51 | 17.07 | 35.04 |
| 7 | 31.36 | 14.70 | 0.66 | 23.94 | 50.32 |
| 8 | 35.70 | X | 0.98 | 29.74 | 56.22 |
| 9 | 47.70 | X | 1.78 | 39.38 | 64.56 |
| 10 | 55.29 | X | 5.59 | 45.20 | 76.47 |
| 11 | 63.39 | 37.95 | 7.27 | 53.22 | 82.59 |
| 12 | 73.59 | X | 8.72 | 64.64 | 106.49 |
| 13 | 78.60 | X | 10.00 | 69.06 | 122.64 |
| 14 | 83.08 | X | 11.81 | 73.80 | 133.72 |
| 15 | 93.52 | 57.32 | 11.94 | 91.32 | 145.00 |

FLOW RATES ARE CALCULATED AT POUNDS PER MINUTE

NOTE:
Calibration Data Is For Reference Only



Calibration Speed-Time-Distance Chart



| TIME REQUIRED IN SECONDS TO TRAVEL A DISTANCE OF | | | | SPEED-DISTANCE | |
|---|----------|----------|----------|---------------------------|-----------------------------|
| GROUND SPEED MPH | 100 FEET | 200 FEET | 300 FEET | GROUND SPEED IN MPH | FEET TRAVELED PER MIN |
| .05 | 136 | 272 | 408 | 0.5 | 44 |
| 1.0 | 68 | 136 | 204 | 1.0 | 88 |
| 1.5 | 45 | 91 | 192 | 1.5 | 132 |
| 2.0 | 34 | 68 | 136 | 2.0 | 176 |
| 2.5 | 27 | 54 | 82 | 2.5 | 220 |
| 3.0 | 23 | 45 | 68 | 3.0 | 264 |
| 3.5 | 20 | 39 | 58 | 3.5 | 308 |
| 4.0 | 17 | 34 | 51 | 4.0 | 352 |
| 4.5 | 15 | 30 | 45 | | |
| 5.0 | 14 | 27 | 41 | | |
| 6.0 | 11 | 23 | 34 | | |
| 7.0 | 9.7 | 19 | 29 | | |
| 8.0 | 8.5 | 17 | 26 | | |
| 9.0 | 7.6 | 15 | 23 | | |
| 10.0 | 6.8 | 14 | 20 | | |
| 12.0 | 5.7 | 11 | 17 | | |
| 15.0 | 4.5 | 9 | 13.6 | | |
| 20.0 | 3.4 | 6.8 | 10.2 | | |

It is the responsibility of the person using this equipment to make sure that every type of material is properly calibrated to perform as expected. This process should take place on a solid flat surface away from drains and livestock areas in order to achieve a safe and accurate reading for proper material distribution. Failure to do so may cause an over/under application that could damage turf areas or give an ineffective pest control treatment. Any calibration charts contained in this manual are given as a reference point only and should not be used as an absolute condition. Spending a few extra minutes to properly calibrate will not only save on wasted materials and time but also protect turf and other vegetation. Below are several points to be aware of before operating your spreader in the field.

- Flow rates of chemicals can change for many reasons
 1. Formulations vary within the same brand or even between brands
 2. Formulations vary between batches or dates of manufacture
 3. Humidity can cause the material to clump and flow poorly
 4. Poor spreader maintenance can cause flow changes
 5. Slide stop has moved or calibrated to another type of material
 6. Human error can cause rate miscalculation
- Items needed for calibration
 1. A way to catch the material for weighing
 2. A device to measure distance
 3. A scale to weigh your product
 4. A stop watch or other means to time
- Conversion
 1. To convert pounds per 1000 square feet to pounds per acre, multiply your rate by 43.6
- Other important information
 1. 1 acre is equal to 43,600 Square Feet
 2. Ground speed is very important to keep in mind when doing calculations, you will want to convert mph to feet per minute

Set the spreader stop at mid point on it's travel length as a starting point. Fill the hopper with enough material to cover a known area of 1000 square feet. Open the gate and make note of the start/stop time, this is very important. Next weigh the material on a scale, divide the weight by the known area to establish an application rate. You may have to adjust the gate stop for more or less material depending on your results.

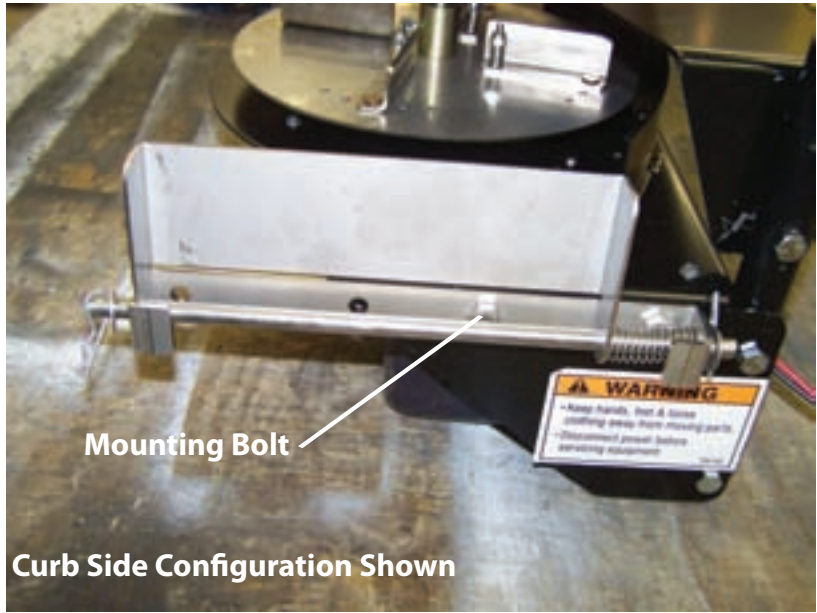
THIS PAGE INTENTIONALLY LEFT BLANK

THIS PAGE INTENTIONALLY LEFT BLANK

Deflector Kit

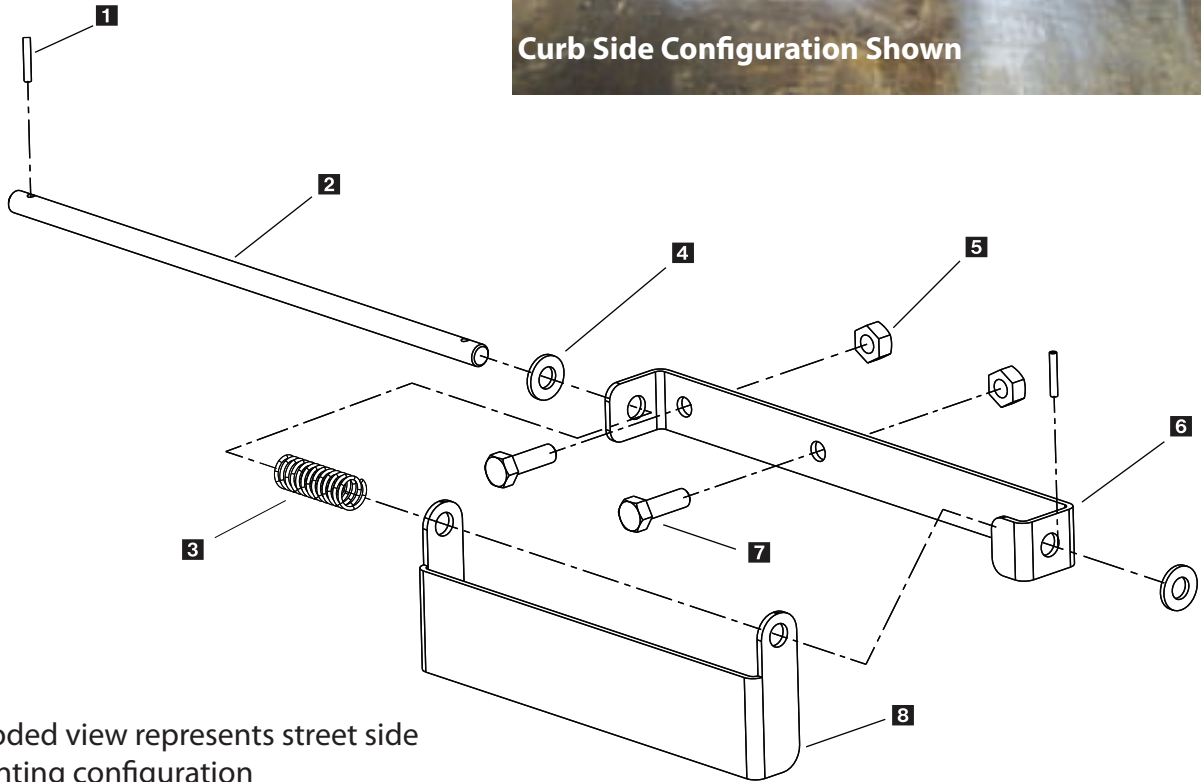
Parts Breakdown

SDK-020



Curb Side Configuration Shown

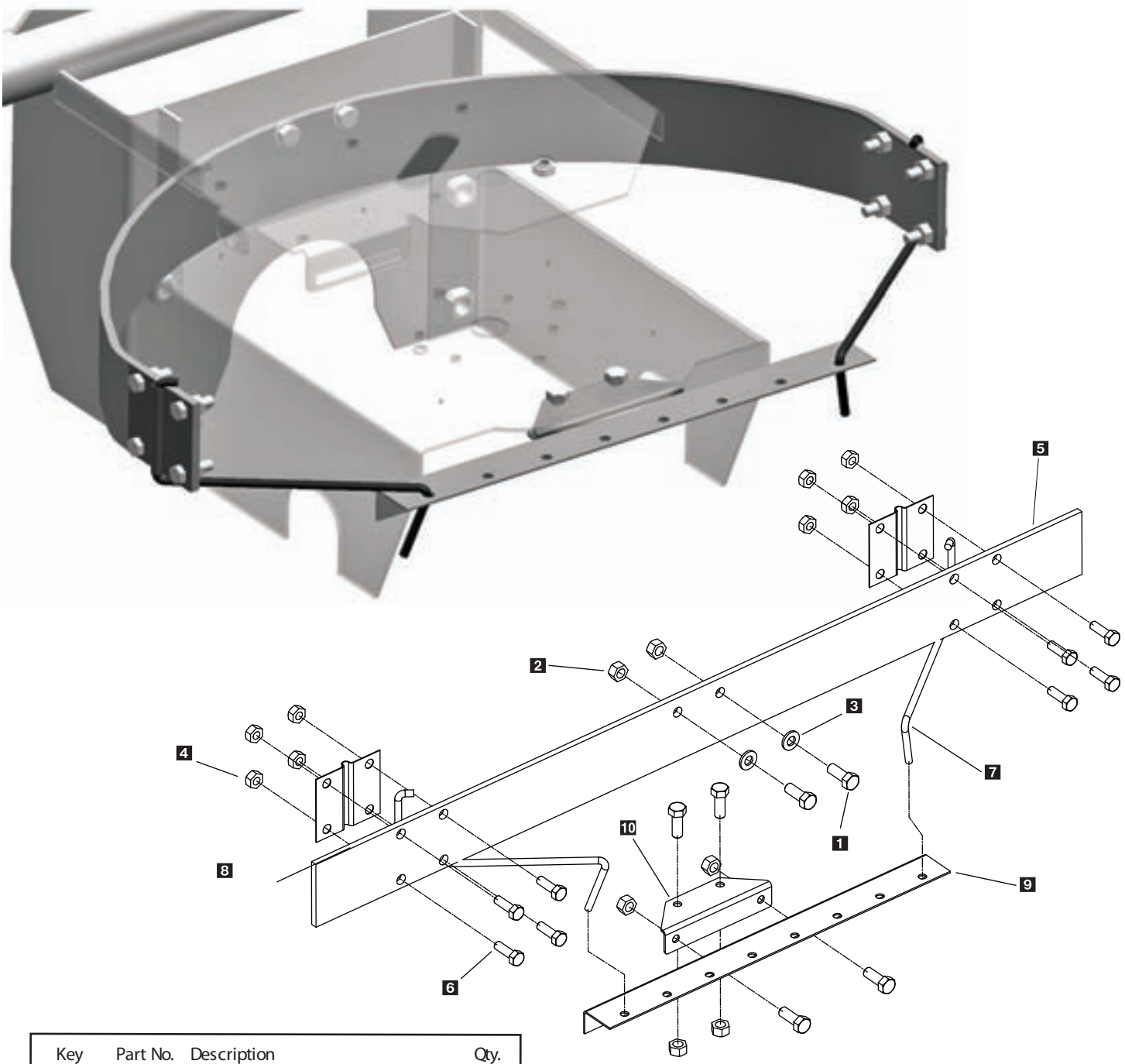
Step 1: Mount deflector to either right or left side of spreader as shown in picture.



Exploded view represents street side mounting configuration

| Key | Part No. | Description | Qty. |
|----------|----------|----------------------------|------|
| 1 | D - 6853 | Cotter Pin | 2 |
| 2 | T-15055 | Side Deflector Hinge Pin | 1 |
| 3 | T-15056 | Compression Spring | 1 |
| 4 | D - 6169 | 3/8 Flat Washer SS | 2 |
| 5 | T-15018 | 5/16 Nylock Nut SS | 2 |
| 6 | T-15054 | Deflector Mounting Bracket | 1 |
| 7 | D - 6418 | 5/16 - 18 x 1 Hex Bolt ss | 2 |
| 8 | T-15053 | Side Deflector | 1 |

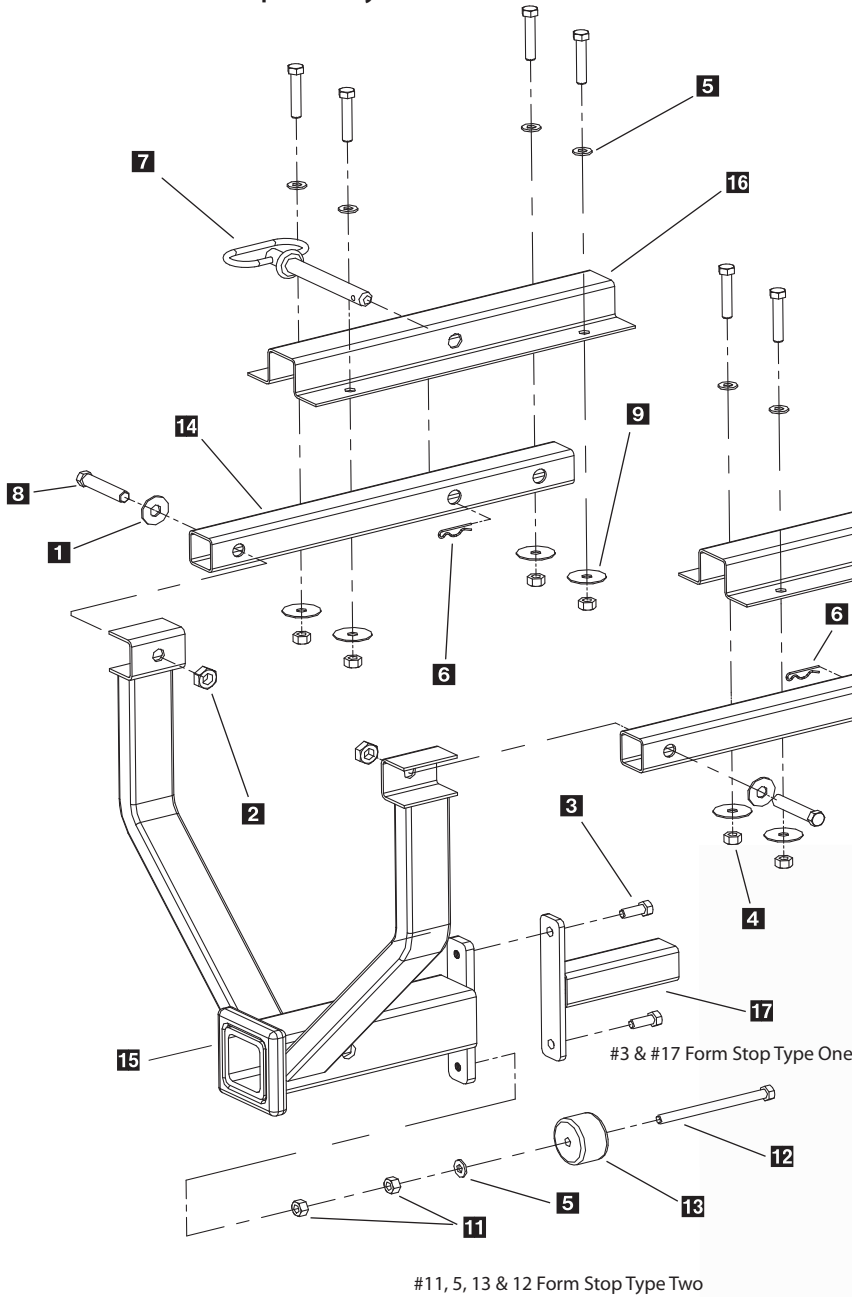
TS-700-E / P & TS-1200-E / P
 ADF-020 Adjustable Deflector Kit



| Key | Part No. | Description | Qty. |
|-----|----------|---------------------------------|------|
| 1 | D 4121 | 3/8" - 13 x 1" Hex Bolt | 2 |
| 2 | D 4124 | 3/8" - Locknuts | 2 |
| 3 | D 4125 | 3/8" - Flatwashers | 2 |
| 4 | D 6138 | 5/16" - 18 Locknut | 10 |
| 5 | D 6154 | 36" Deflector | 1 |
| 6 | D 6166 | 5/16" - 18 x 1" Hex Bolt | 10 |
| 7 | D 6179 | Deflector Adjustment Bracket | 1 |
| 8 | D 6180 | Adjustment Bar Mounting Bracket | 2 |
| 9 | D 6181 | Adjustment Bar | 2 |
| 10 | T 30222 | Front Adapter Bracket | 1 |

TS-300-E / TS-300-EG

DRM-175 Drop Utility Mount



Maximum Load Weight Not To Exceed 240 lbs. Gross

| Key | Part No. | Description | Qty. | Key | Part No. | Description | Qty. |
|-----|----------|-----------------------------|------|-----|----------|--------------------------------------|------|
| 1 | D 4119 | 1/2" Flat Washer | 2 | 10 | D 6420 | 3/8" - 16 x 2 Truss Bolt Full Thread | 8 |
| 2 | D 4120 | 1/2"-Lock Nut | 2 | 11 | D 6421 | 3/8" - 16 Hex Nut | 2 |
| 3 | D 4121 | 3/8"-16x1 Hex Bolt | 2 | 12 | D 6422 | 3/8" - 16 x 5" Hex Bolt | 1 |
| 4 | D 4124 | 3/8"-Lock Nut | 8 | 13 | D 6423 | 2" Rubber Stopper | 1 |
| 5 | D 4125 | 3/8" Flat Washer | 9 | 14 | D 6432 | Mounting Rail | 2 |
| 6 | D 4135 | 2 - 5/16" Hair Pin Clip | 2 | 15 | D 6434 | Drop Mount Weldment | 1 |
| 7 | D 4136 | 5/8" x 5-1/2" Hitch Pin | 2 | 16 | D 6435 | Mounting Rail Hat Section | 2 |
| 8 | D 6246 | 1/2" - 13 x 2-1/2" Hex Bolt | 2 | 17 | D 6436 | Mule Adapter | 1 |
| 9 | D 4318 | 3/8" Fender Washer | 8 | | | | |

MULE 550

Step 1: Temporarily remove the tailgate. Remove the bed liner if equipped.

Step 2: Bolt support rails to spreader mount with 1/2" bolts. Install 1/2" hex bolt with washer through rail first then spreader spreader mount. Install 1/2" locknut and tighten. Avoid over tightening to avoid potentially crushing tube.

Step 3: Place spreader mounting rails over spreader mount support rails and install pins. Locate the spreader bracket mounting rails on top of the bed by centering left to right and positioning the rear edge of the rails 5/8" beyond the rear of the bed. Transferring mounting holes to bed & drill 7/16".

Important: Check for proper clearance underneath bed before drilling holes.

Step 4: Bolt rails under belt with truss head bolts, fender washers, SAE washers and nylon lock nuts. Install the spreader bracket before tightening hardware. The tailgate and bed liner may be reinstalled now.

Step 5: Install 550 anti dump bracket with (2) 3/8" bolts provided.

Step 6: Install gate control cable per attached instructions.

Step 7: Route cables at your discretion and install switch.

MULE 2500

The installation of the spreader on the 2500 is the same as the 550 with the following exceptions.

Step 1: When positioning the mounting rails the end of the rails should be 1/2" forward of the rear edge of the bed.

Step 2: The universal anti dump threads into the lower weld nut on the spreader bracket assembly. Adjust rubber bumper to be 1/2" to 3/4" behind the rear axle - receiver hitch assembly.

CLUB CAR CARRYALL

Step 1: Remove the bed tailgate and bottom angle trim. Also remove the 2 rear carriage bolts from the floor of the bed.

Step 2: Place spreader mounting rails over spreader mount and install pins. Locate the 2 front outside mounting rails over the holes from the carriage bolts remove in step 1.

Step 3: Install truss head bolts, fender washers, SAE washers and nylon lock nuts in the carriage bolt holes. Transfer the remaining mounting rail holes and bolt rails into bed.

JOHN DEERE GATOR

Step 1: Remove the bed tailgate.

Step 2: Place spreader mounting rails over spreader mount and install pins.

Step 3: Locate the spreader bracket mounting rails on top of the bed by centering left to right, push main mount flush up against rear of bed to locate mounting rails. Transfer mounting holes to bed.

Step 4: Install mounting rails with truss head bolts, fender washers, SAE Washers and nylon lock nuts in the 1/2" mounting holes.

Step 5: The universal anti dump threads into the lower weld nut on the spreader bracket assembly. The rubber bumper should be adjusted to rest against the frame of the vehicle. The trailer hitch bracket may need to be relocated depending on configuration.

CAUTION: MAXIMUM WEIGHT NOT TO EXCEED 240 LBS.

Trailer Mount

Model #TLR-175

MAXIMUM LOAD WEIGHT NOT TO EXCEED 240 LBS. GROSS

TRAILER MOUNT ASSEMBLY INSTRUCTIONS

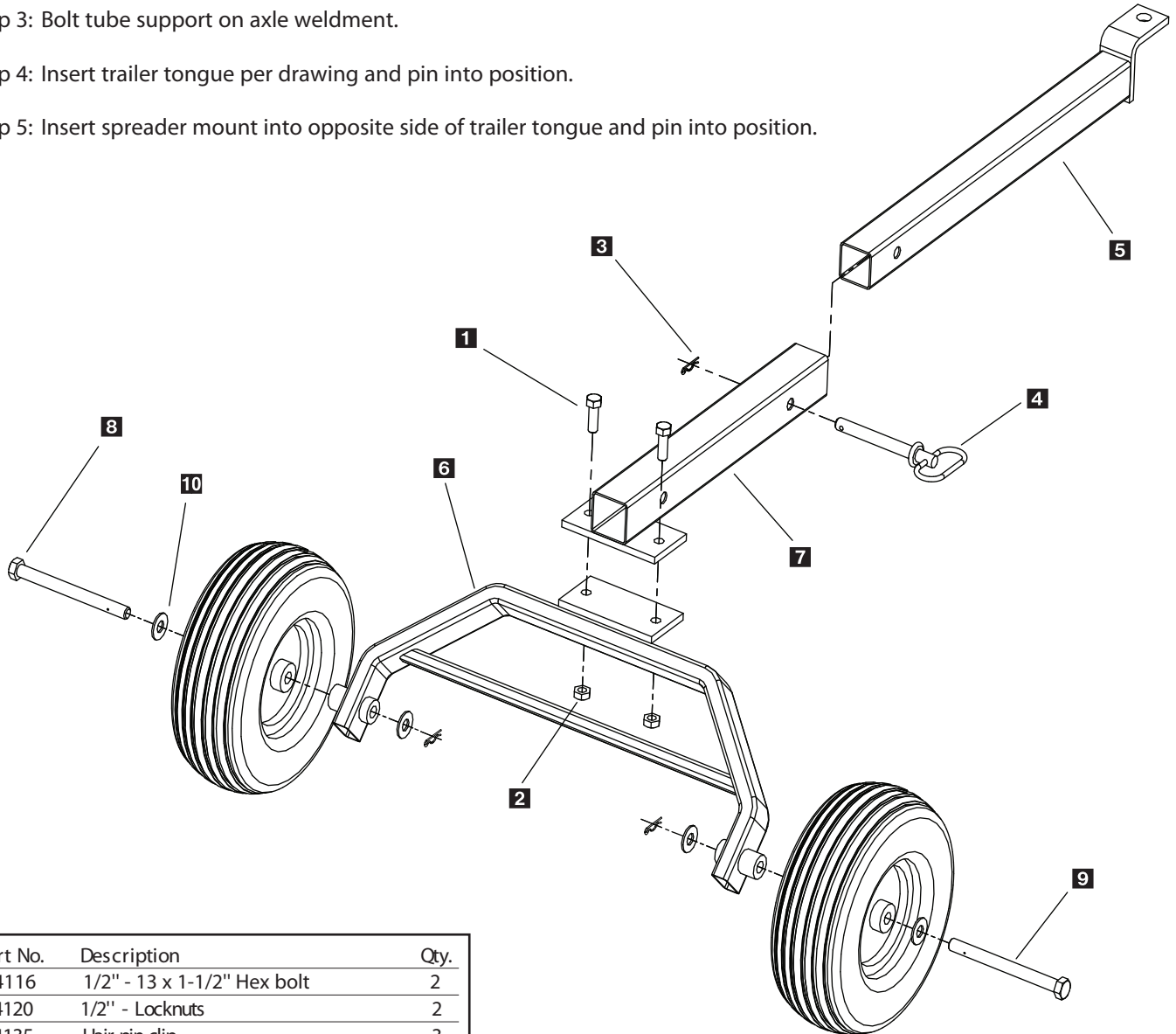
Step 1: Insert axle through wheel and axle weldment.

Step 2: Put washer on then install hair pin clip to secure axle. Repeat Steps 1 & 2 for other side.

Step 3: Bolt tube support on axle weldment.

Step 4: Insert trailer tongue per drawing and pin into position.

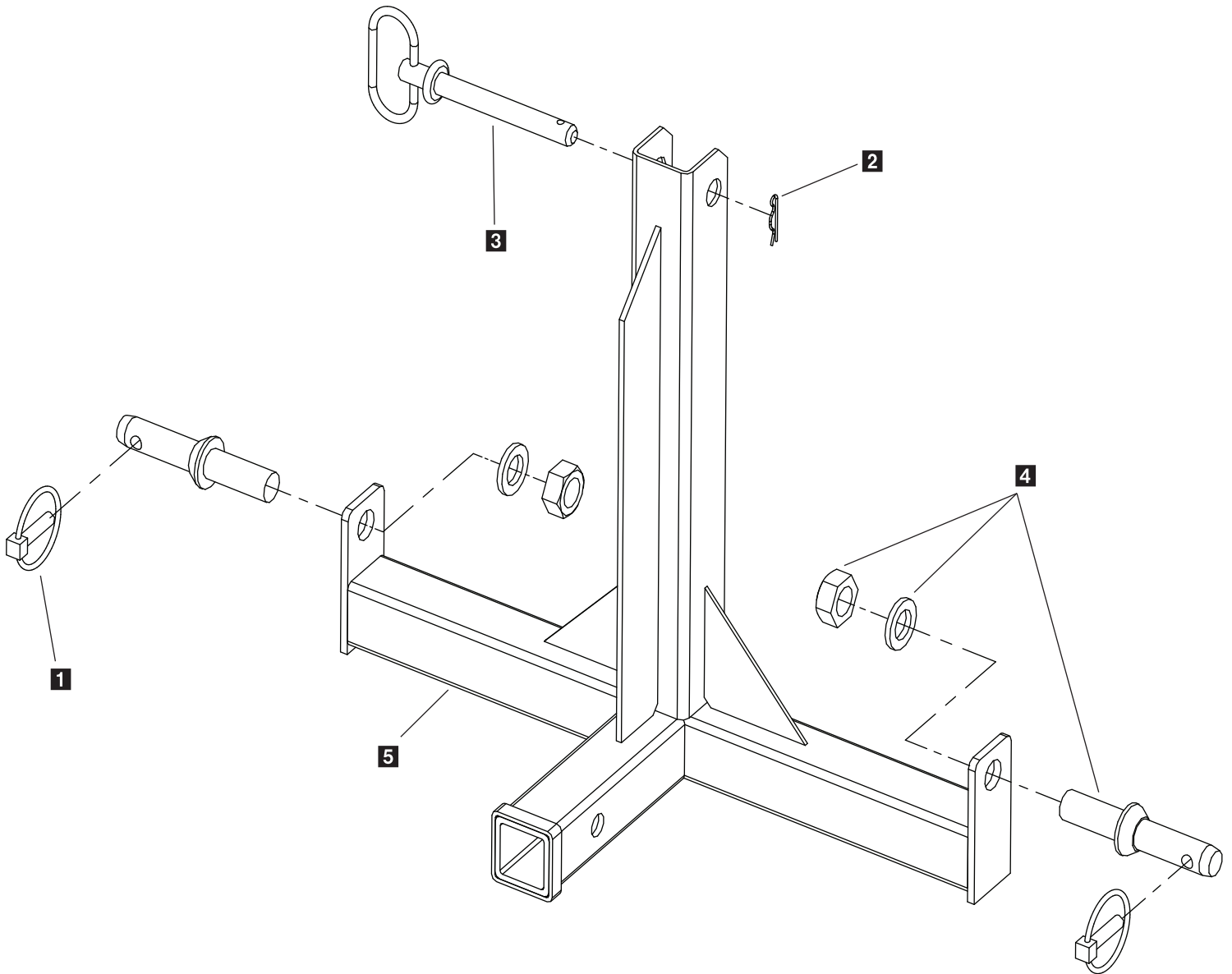
Step 5: Insert spreader mount into opposite side of trailer tongue and pin into position.



| Key | Part No. | Description | Qty. |
|-----|----------|---------------------------------|------|
| 1 | D 4116 | 1/2" - 13 x 1-1/2" Hex bolt | 2 |
| 2 | D 4120 | 1/2" - Locknuts | 2 |
| 3 | D 4135 | Hair pin clip | 3 |
| 4 | D 4136 | 5/8" x 5 -1/2" Hitch pin | 1 |
| 5 | D 6438 | Trailer tongue | 1 |
| 6 | D 6439 | Trailer "A" frame | 1 |
| 7 | D 6440 | Receive tube mount | 1 |
| 8 | D 6441 | Trailer tire | 2 |
| 9 | D 6442 | 5/8" - 13 x 7" Hex bolt special | 2 |
| 10 | D 6443 | 5/8" Flat washers | 4 |

3-Point Mount

Model #TPM-175

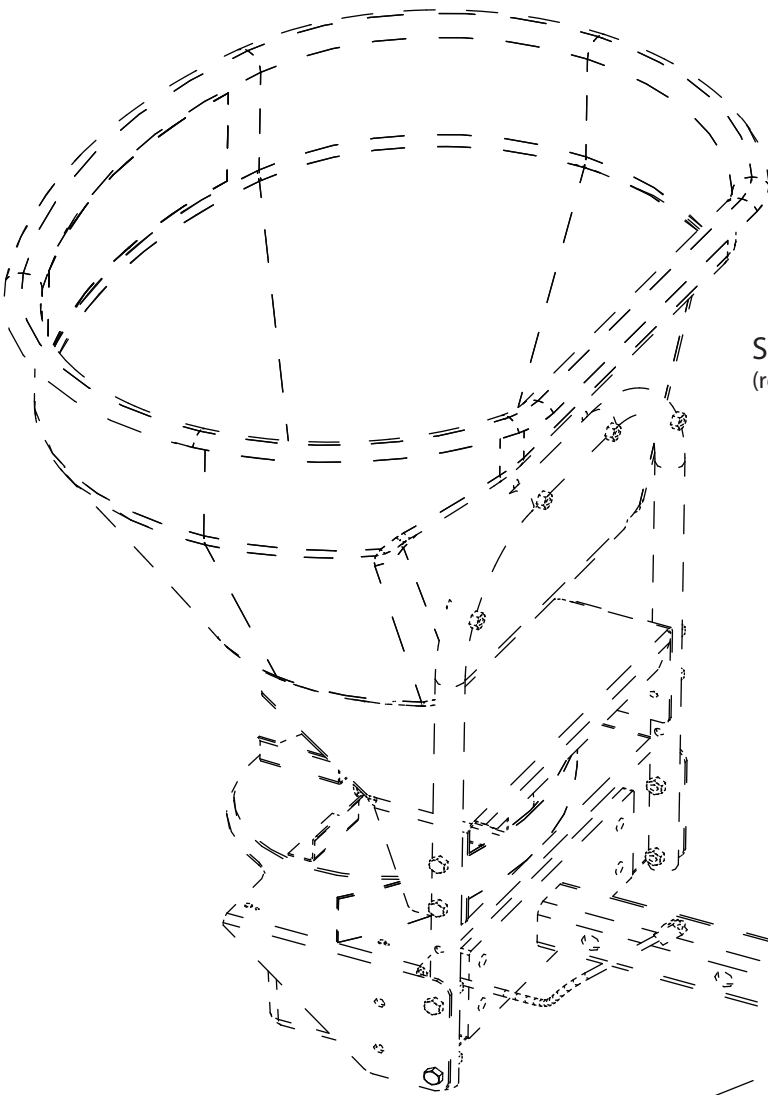


| Key | Part No. | Description | Qty. |
|-----|----------|----------------------------|------|
| 1 | D 4133 | 5/16" Linch Pin | 2 |
| 2 | D 4135 | 2-5/16" Hairpin Clip | 1 |
| 3 | D 4136 | 5/8" x 5-1/2" Hitch Pin | 1 |
| 4 | D 4137 | 7/8" x 5-1/2" Lift Arm Pin | 2 |
| 5 | D 6147 | 3-Point Frame | 1 |

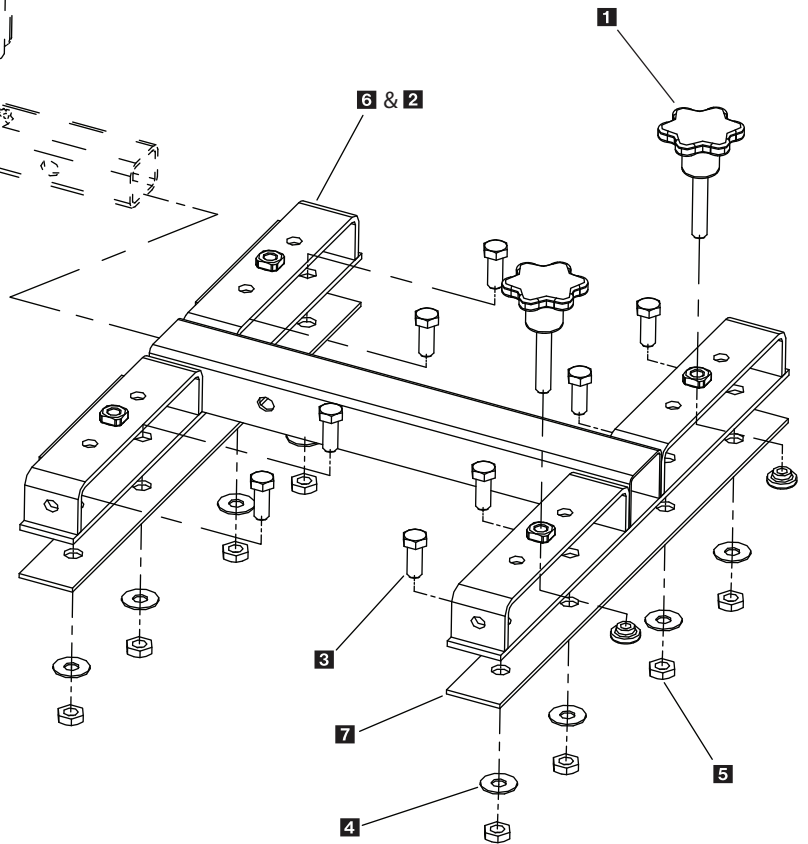
CAUTION: MAXIMUM OF 240 LBS. GROSS WEIGHT CAN BE PUT ONTO MOUNT.

Utility Mount

Model #UTM/FLM-175



Spreader
(reference only)

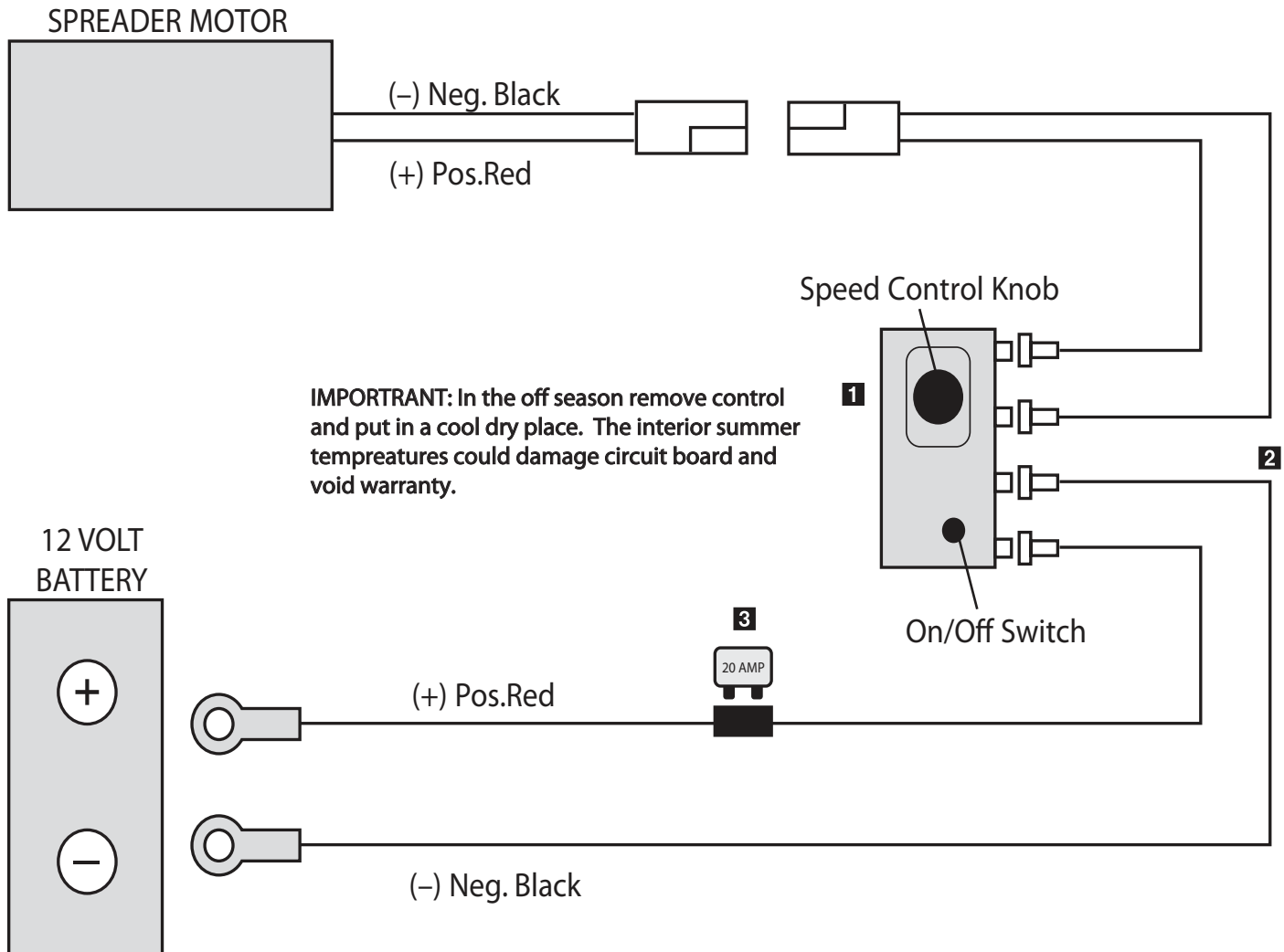


Maximum Load Weight
Not To Exceed 240 lbs. Gross

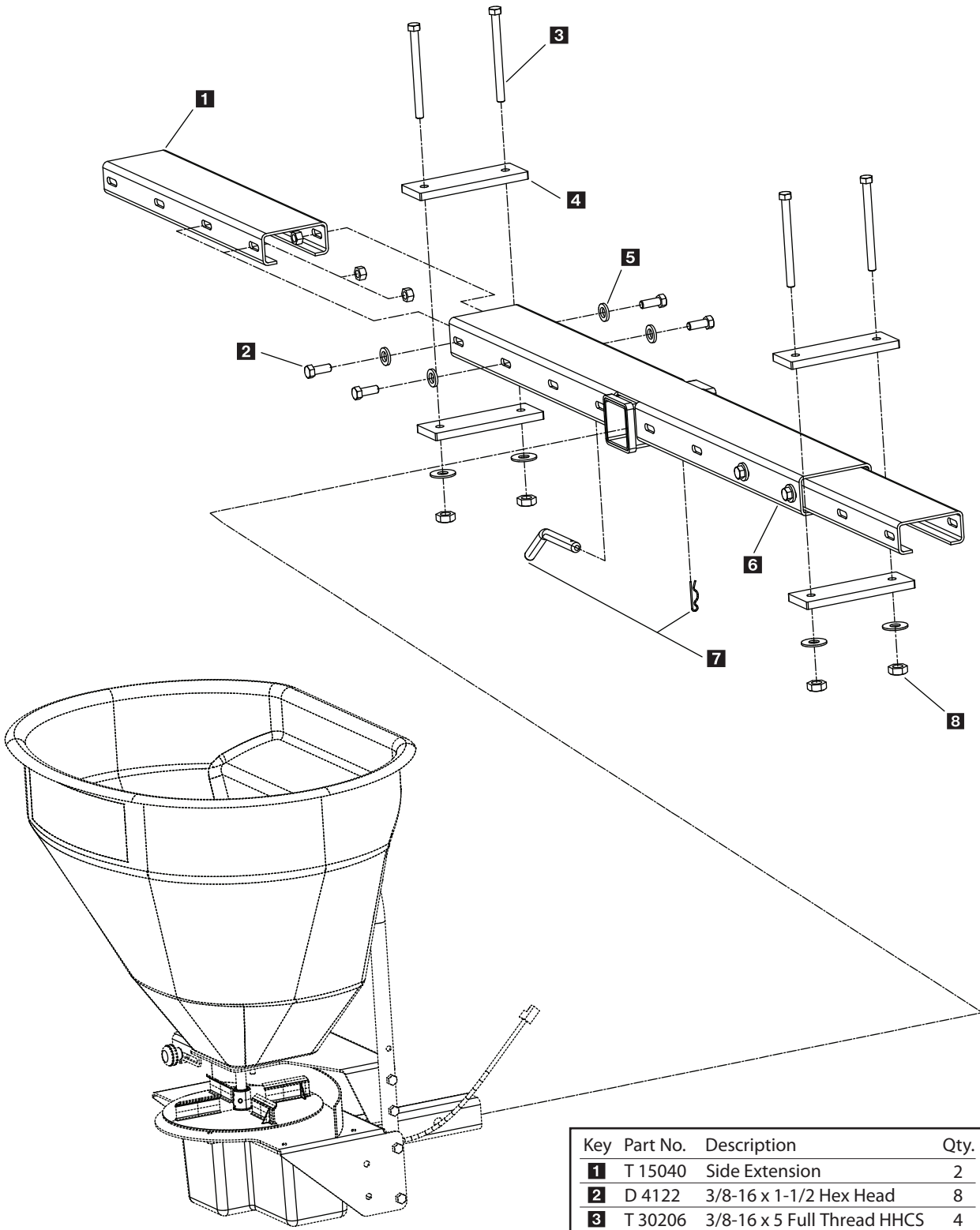
| Key | Part No. | Description | Qty. |
|----------|----------|-----------------------------------|------|
| 1 | D 4315 | Lock Knob Assembly (FLM-175 Only) | 2 |
| 2 | D 6426 | Fork Lift Mount Frame (FLM) | 1 |
| 3 | D 4116 | 1/2"-13 x 1 1/2" Hex Bolt | 8 |
| 4 | D 4119 | 1/2" Flat Washer | 8 |
| 5 | D 4120 | 1/2" Lock Nut | 8 |
| 6 | D 6148 | Utility Receiver (UTM) | 1 |
| 7 | D 6235 | Underbody Support Plate | 2 |

VAR-020 ACCEESORY CONTROL KIT

TS-300 (Optional Kit)



| Key | Part No. | Description | Qty. |
|----------|----------|----------------|------|
| 1 | D 7171 | Mini Control | 1 |
| 2 | D 6719 | Harness | 1 |
| 3 | D 6482 | 20 Amp Breaker | 1 |



SPREADER SHOWN FOR REFERENCE PURPOSES ONLY

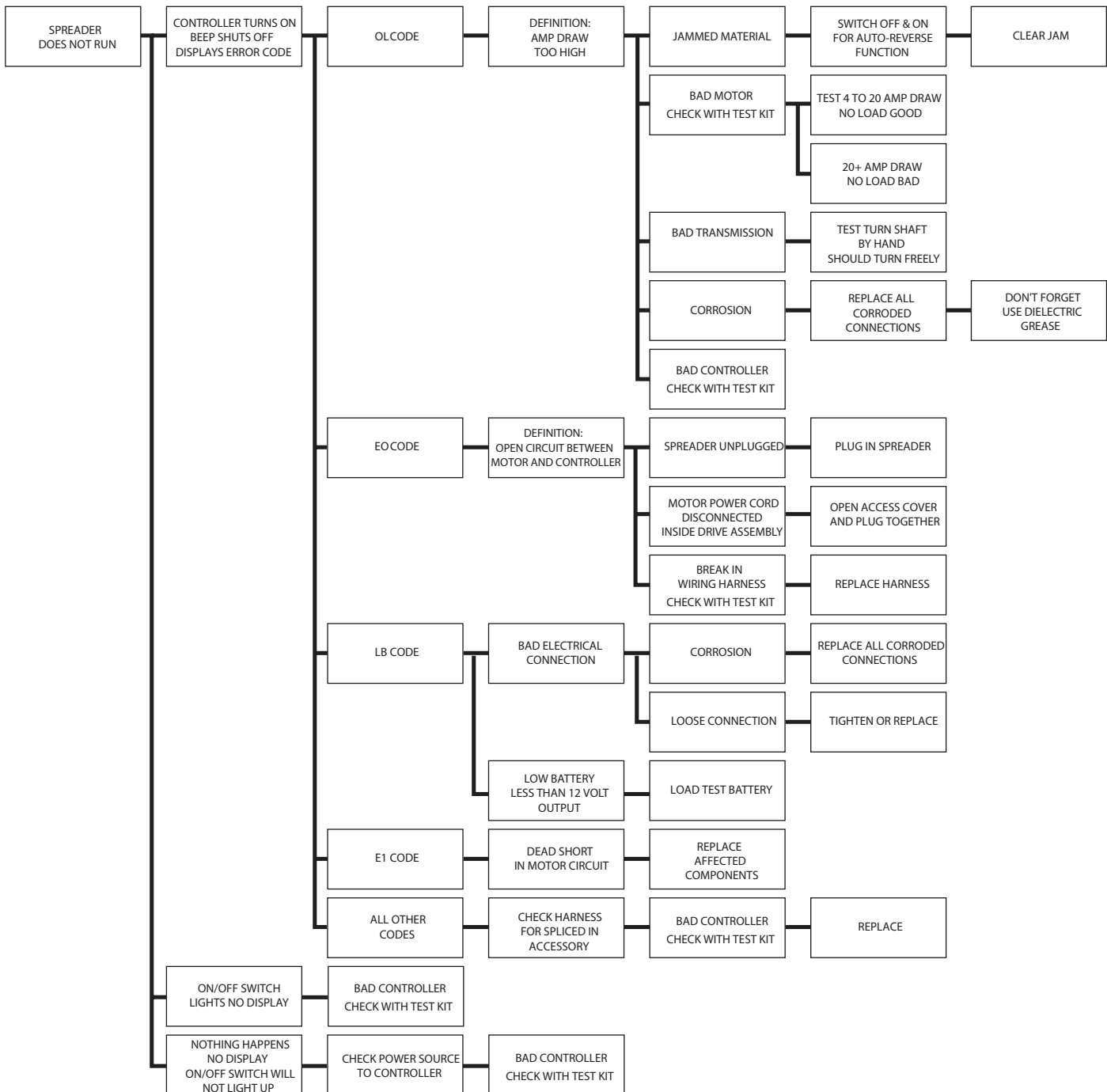
| Key | Part No. | Description | Qty. |
|-----|----------|-----------------------------|------|
| 1 | T 15040 | Side Extension | 2 |
| 2 | D 4122 | 3/8-16 x 1-1/2 Hex Head | 8 |
| 3 | T 30206 | 3/8-16 x 5 Full Thread HHCS | 4 |
| 4 | T 15042 | Tie Down Bracket | 4 |
| 5 | D 4125 | 3/8 Flat Washer | 12 |
| 6 | T 15041 | Main Mount Weldment | 1 |
| 7 | T 15043 | Hitch Pin | 1 |
| 8 | D 4124 | 3/8-16 Nylock | 12 |

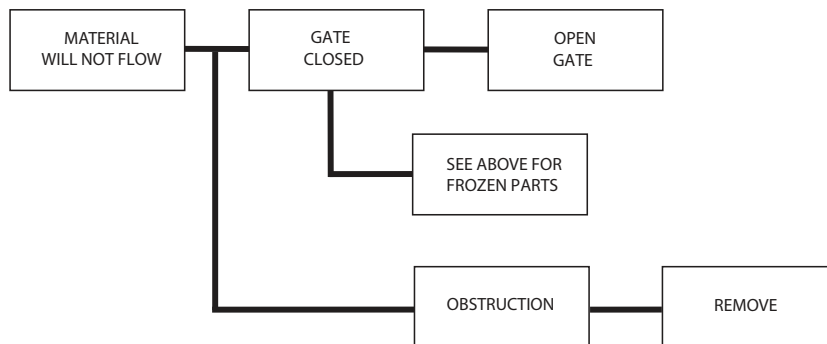
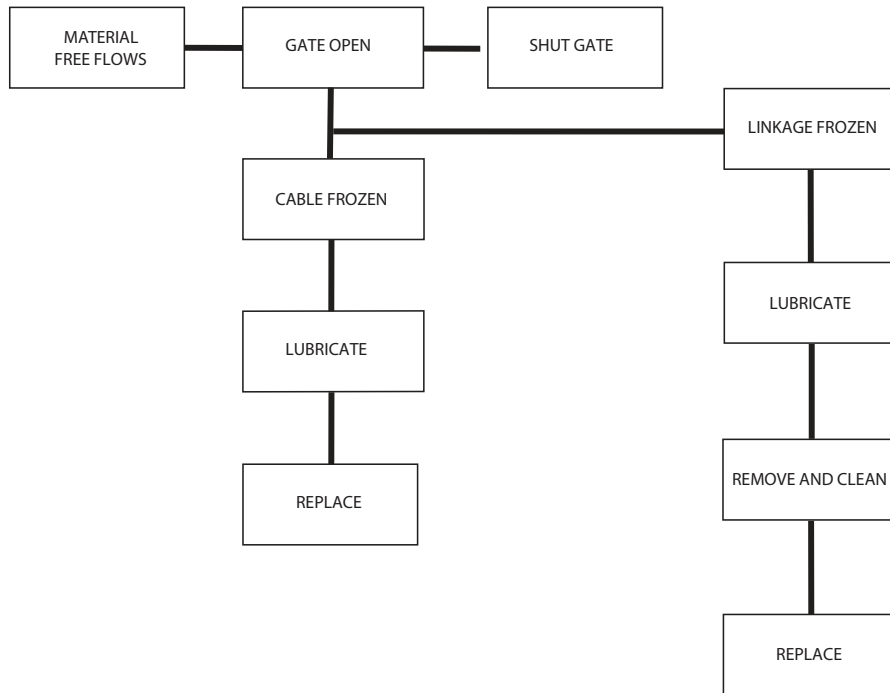
- **WARNING** – When servicing is necessary, perform it in a protected area. Do not use power tools in rain or snow because of **DANGER** of electrical shock or injury. Keep area well lighted. Use proper tools. Keep the area of service clean to help avoid accidents.
- **WARNING** – Disconnect electricity to spreader before servicing.
- **CAUTION** – The controller is a solid state electronic unit and is not serviceable. Any attempt to service will void warranty.
- **CAUTION** – There are no serviceable parts in the motor/transmission assembly. Any attempt to service will void warranty.
- **CAUTION** – When replacing parts use only original manufacturer's parts. Failure to do so will void warranty.
- Use dielectric grease on all electrical connections to prevent corrosion at the beginning and end of the season and each Time plugs are disconnected.
- Gently wash unit after each use to prevent material build-up and corrosion.
- **CAUTION** – When pressure washing motor enclosure area stay at least 36" away from all electrical items.
- Paint or oil all bare metal surfaces at the end of the season.
- Keep gate cable lubricated with a graphite type lubricant (non-tacky) after each use.
- If motor cover is removed for any reason, use silicone sealant to ensure weather proofing of enclosure.
- Grease bearings after every 20 hours use.
- After first use, tighten all nuts and bolts on spreader and mount.
- **WARNING:** Never remove spreader with material in hopper.
- Store controller in safe dry spot during the off season.

Troubleshooting



TS-300/TS-300-EG/TS-700-E/TS-1200-E





Limited Warranty

Two year warranty on Turfex brand products against defects in material or workmanship under normal use and service, subject to limitations detailed below. Warranty period of two years begins on the date of purchase by the original retail user.

The WARRANTY REGISTRATION CARD must be returned to the manufacturer for this warranty to become effective. This warranty applies to the original retail purchaser only. This warranty does not cover damages caused by improper installation, misuse, lack of proper maintenance, alterations or repairs made by anyone other than authorized Trynex dealers or Trynex personnel. Due to the corrosive properties of the materials dispensed by spreaders, Trynex does not warrant against damage caused by corrosion. Warranty claims by the user must be made to the dealer from where the product was purchased, unless otherwise authorized by Trynex. Trynex reserves the right to determine if any part is defective and to repair or replace such parts as it elects. This warranty does not cover shipping costs of defective parts to or from the dealer.

LIMITATION OF LIABILITY

Neither Trynex, nor any company affiliated with it, makes any warranties, representations for promise as to the performance or quality other than what is herein contained. The liability of Trynex to the purchaser for damages arising out of the manufacture, sale, delivery, use or resale of this spreader shall be limited to and shall not exceed the costs of repair or replacement of defective parts. Trynex shall not be liable for loss of use, inconvenience or any other incidental, indirect or consequential damages, so the above limitations on incidental or consequential damages may not apply to you.

NO DEALER HAS AUTHORITY TO MAKE ANY REPRESENTATION OR PROMISE ON BEHALF OF TRYNEX INTERNATIONAL, OR TO ALTER OR MODIFY THE TERMS OR LIMITATIONS OF THIS WARRANTY IN ANY WAY.

Warranty Registration and Customer Survey



To initiate the warranty on your new TurfEx product and assure prompt warranty service, please complete the following warranty registration and customer survey, sign and mail it back to the factory within 30 days of purchase.

1) Date of Purchase: _____

2) Name: _____

Address: _____

Phone: _____

3) Turfex Model Purchased: _____ Serial Number: _____

4) Is this your first Turfex Product? Yes No

5) What type of vehicle are you using with your Spreader, Broom and/or Sprayer?

Make _____ Model _____ Year _____

6) What type of material are you using in your spreader and/or sprayer? _____

7) TurfEx Dealer Name: _____

TurfEx Dealer Address: _____

Turfex Dealer Phone: _____

8) Does your TurfEx Dealer stock TurfEx replacement Parts? Yes No I don't know

9) Do you feel your TurfEx Dealer sold you the correct product for your needs/application? Yes No

10) How would you rate your overall satisfaction with your Turfex Dealer?-

| | | | | | |
|--------------------------|--------------------------|--------------------------|--------------------------|--------------------------|--------------------------|
| <input type="checkbox"/> | <input type="checkbox"/> | <input type="checkbox"/> | <input type="checkbox"/> | <input type="checkbox"/> | <input type="checkbox"/> |
| Very Satisfied | Satisfied | Somewhat Satisfied | Somewhat Dissatisfied | Dissatisfied | Very Dissatisfied |

11) How would you rate your overall satisfaction with your Turfex Product?

| | | | | | |
|--------------------------|--------------------------|--------------------------|--------------------------|--------------------------|--------------------------|
| <input type="checkbox"/> | <input type="checkbox"/> | <input type="checkbox"/> | <input type="checkbox"/> | <input type="checkbox"/> | <input type="checkbox"/> |
| Very Satisfied | Satisfied | Somewhat Satisfied | Somewhat Dissatisfied | Dissatisfied | Very Dissatisfied |

12) Would you purchase another TurfEx Product? Yes No

13) If you would like to receive E-Mail ALERTS for new products, bulletins or special promotions please supply address: _____

14) Please use the space below to convey your comments and/or suggestions.

NOTE: I have read the owner's manual and all safety precautions and I understand that this equipment could be dangerous if not operated with care and under the proper conditions.

15) Owner's signature: X _____

PLEASE FOLD AND SEAL WITH TRANSPARENT TAPE BEFORE MAILING.

Simply Fill Out Your
Warranty Registration and
Return It to the Factory!

From:



Postage
Required
Post Office will
not deliver
without proper
postage.



23455 REGENCY PARK DR.
WARREN MI 48089-2667

