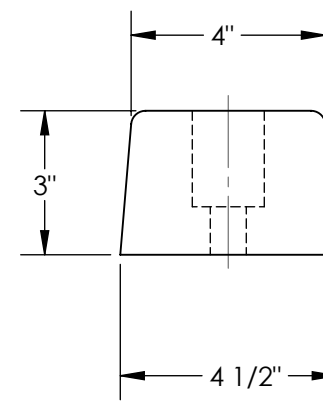
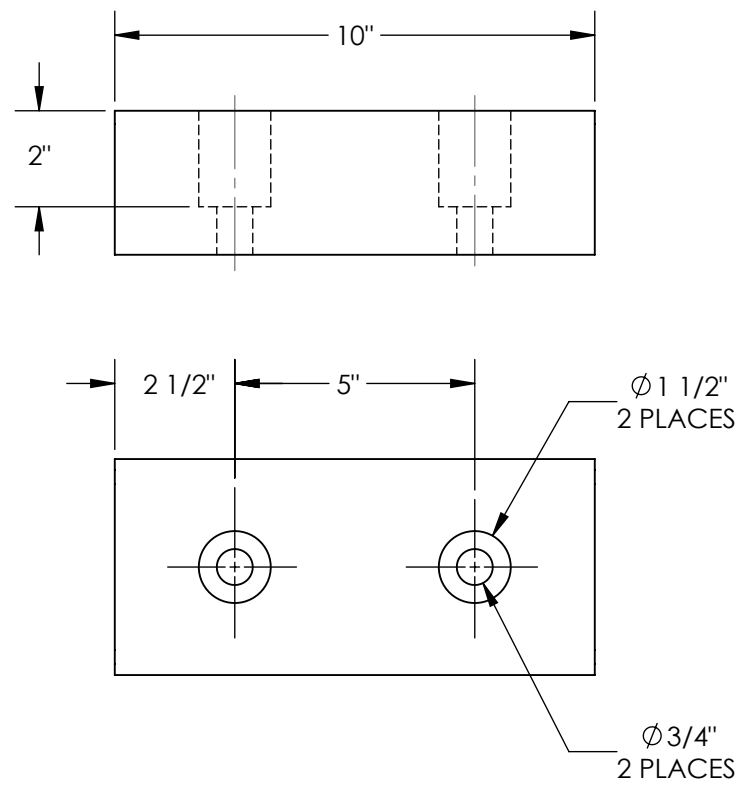


HARDENED MOLDED RUBBER BUMPER - DBE-10-1

APPROX WEIGHT: 4.31 lbs.
 DOES NOT INCLUDE WEIGHT OF POWER OR PACKAGING!!!

*** ANY ADDITIONS, DELETIONS, OR OMISSIONS MUST BE CORRECTED ON THIS DRAWING AS THIS DRAWING WILL BE CONSIDERED ALL INCLUSIVE ***

ALL GRAPHICS PROVIDED ARE FOR REFERENCE ONLY. IF CERTAIN DIMENSIONS ARE CRITICAL PLEASE VERIFY THOSE DIMENSIONS WITH YOUR SALESPERSON



DIMENSION TOLERANCE ± 1/4"

STANDARD FEATURES

- MODEL NUMBER IS DBE-10-1
- OVERALL WIDTH IS 4 1/2"
- OVERALL LENGTH IS 10"
- OVERALL PROJECTION 3"
- NUMBER OF MOUNTING HOLES 2
- MOUNTING HOLE SIZE 3/4"
- ACCESS HOLE 1 1/2"
- DUROMETER READING OF 80 +/- 5
- TENSIL 950-1050 PSI
- IMPACT RECOVERY 95%

SPECIAL FEATURES

NONE

APPROVAL	I, THE UNDERSIGNED, AGREE THAT THE PRODUCT AS REPRESENTED SATISFIES DESIGN AND DIMENSION REQUIREMENTS. I ALSO ACKNOWLEDGE MY DUTY TO CONFIRM PRODUCT AND INSTALLATION COMPLIANCE WITH ALL APPLICABLE FEDERAL, STATE AND LOCAL REGULATIONS AND STANDARDS.	
	ALL SPECIAL UNITS ARE NON-RETURNABLE <input type="checkbox"/> As drawn <input type="checkbox"/> As marked	
	Signed: _____	Date: _____
LEAD TIME WILL START UPON RECEIPT OF SIGNED APPROVAL DRAWING		

DISTRIBUTOR'S NAME:		P.O.#
VESTIL MANUFACTURING		X
DRAWN BY: RPS	DATE: 08/31/2012	W.O.#
REFERENCE: X	SCALE: 1:4	X
QUOTED LEAD TIME: X	QUOTE #	FILE NAME:
	X	29-007-067