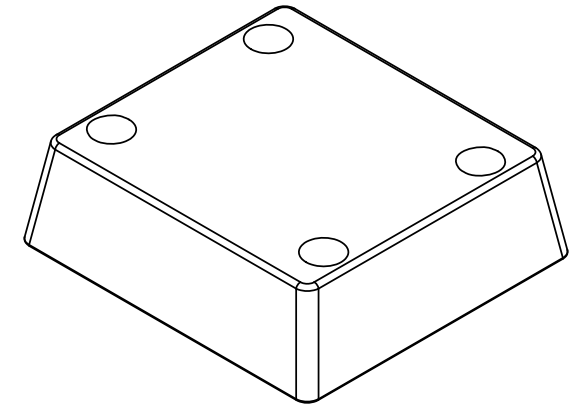
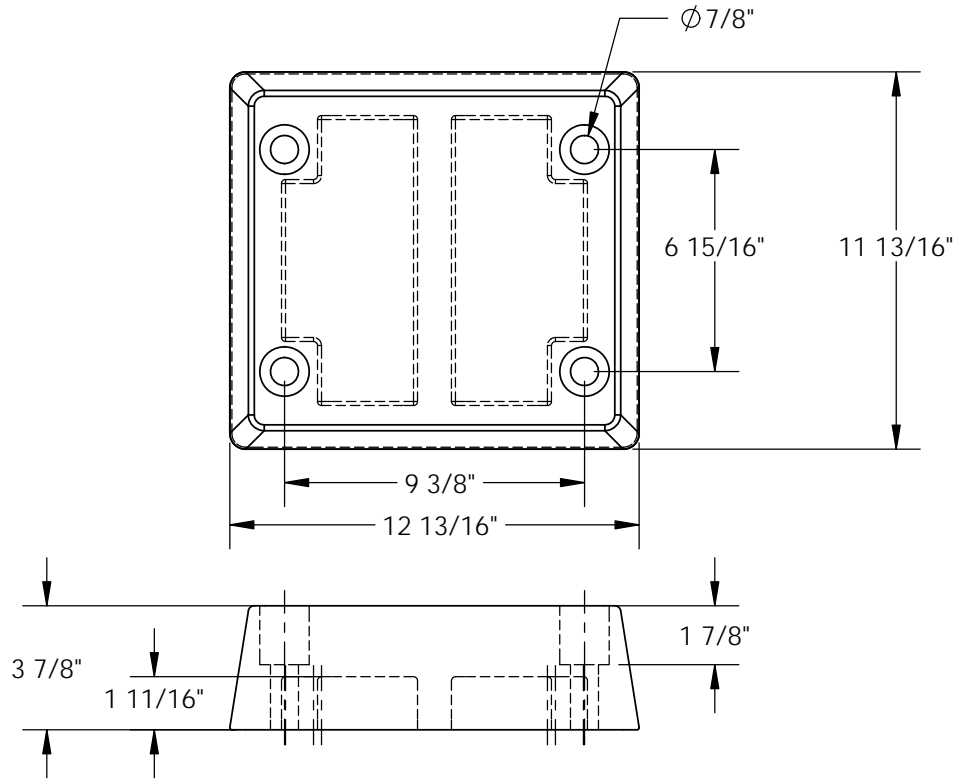


SPECIALTY MOLDED DOCK BUMPERS - B-1213-4

APPROX WEIGHT: 22.3 lbs.
 DOES NOT INCLUDE WEIGHT OF POWER OR PACKAGING!!!

*** ANY ADDITIONS, DELETIONS, OR OMISSIONS MUST BE CORRECTED ON THIS DRAWING AS THIS DRAWING WILL BE CONSIDERED ALL INCLUSIVE ***

ALL GRAPHICS PROVIDED ARE FOR REFERENCE ONLY. IF CERTAIN DIMENSIONS ARE CRITICAL PLEASE VERIFY THOSE DIMENSIONS WITH YOUR SALESPERSON



STANDARD FEATURES

MODEL NUMBER IS B-1213-4
 OVERALL WIDTH IS: 11 13/16"
 USABLE WIDTH IS: 11 13/16"
 OVERALL LENGTH IS: 12 13/16"
 USABLE LENGTH IS: 12 13/16"
 OVERALL HEIGHT IS: 3 7/8"

SPECIAL FEATURES

NONE

DIMENSION TOLERANCE $\pm 1/4"$

| | | |
|---|--|-------------|
| A P P R O V A L | I, THE UNDERSIGNED, AGREE THAT THE PRODUCT AS REPRESENTED SATISFIES DESIGN AND DIMENSION REQUIREMENTS. I ALSO ACKNOWLEDGE MY DUTY TO CONFIRM PRODUCT AND INSTALLATION COMPLIANCE WITH ALL APPLICABLE FEDERAL, STATE AND LOCAL REGULATIONS AND STANDARDS. | |
| | ALL SPECIAL UNITS ARE NON-RETURNABLE | |
| | [] As drawn [] As marked | |
| Signed: _____ | | Date: _____ |
| LEAD TIME WILL START UPON RECEIPT OF SIGNED APPROVAL DRAWING | | |

| | |
|---|--|
| FOR INTERNAL USE ONLY PROJECT SIGN OFF | |
| SALES | |
| ENG. | |
| FAB. | |
| POWER | |

| | | |
|----------------------|--|------------------|
| DISTRIBUTOR'S NAME: | | P.O.# |
| VESTIL MANUFACTURING | | X |
| DRAWN BY: B.HORN | | DATE: 03/03/2015 |
| REFERENCE: X | | SCALE: 1:6 |
| QUOTED LEAD TIME: X | | QUOTE # |
| | | X |
| | | FILE NAME: |
| | | 29-007-281 |