

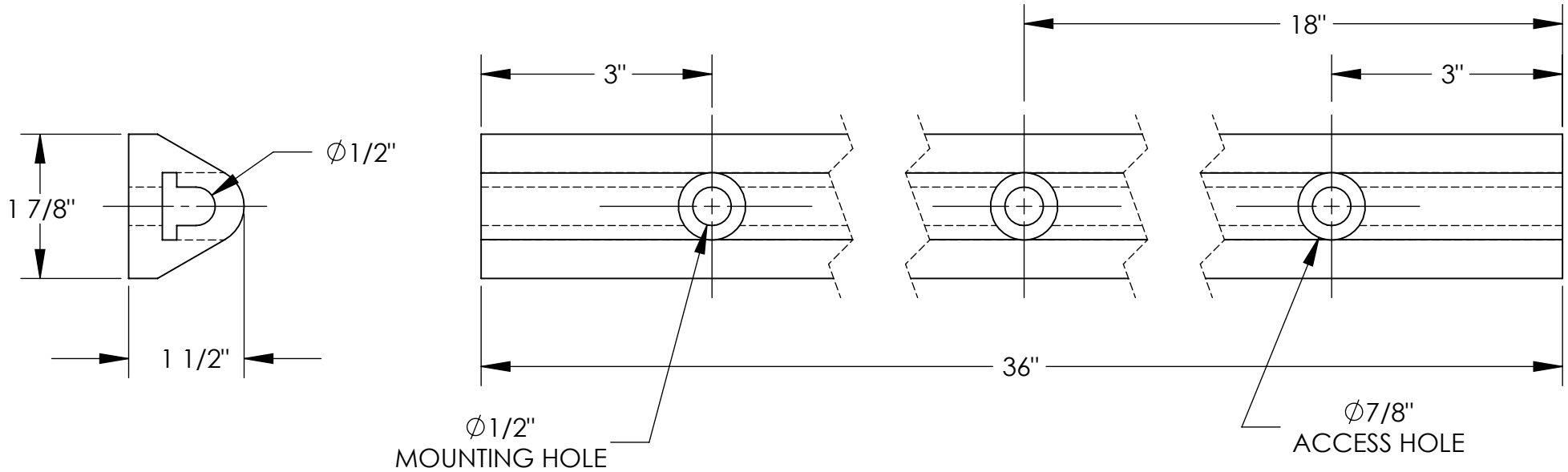
EXTRUDED RUBBER BUMPER - M-2-36

APPROXIMATE WEIGHT IS: 2.13 lbs.

DURO METER READING OF 70 +/- 5
 TENSIL: 1850 PSI
 ELONGATION: 220%
 TEAR STRENGTH: 229 LBS
 IMPACT RESISTANCE: 75%

*** ANY ADDITIONS, DELETIONS, OR OMISSIONS
 THIS DRAWING AS THIS DRAWING WILL BE CON

ALL GRAPHICS PROVIDED ARE FOR REFERENCE ONLY. IF CERTAIN
 ARE CRITICAL PLEASE VERIFY THOSE DIMENSIONS WITH YOUR



**ALL SPECIAL UNITS
 ARE NON-RETURNABLE**

STANDARD FEATURES

MODEL NUMBER IS: M-2-36
 OVERALL WIDTH IS: 1 7/8"
 OVERALL LENGTH IS: 36"
 OVERALL PROJECTION IS: 1 1/2"
 NUMBER OF MOUNTING HOLES: 3
 MOUNTING HOLE SIZE: 1/2"
 ACCESS HOLE SIZE: 7/8"

SPECIAL FEATURES

NONE

A P P R O V A L	I, the undersigned, hereby approve this print. This includes my approval of design & dimensions	
	<input type="checkbox"/> As drawn	<input type="checkbox"/> As marked
	Signed: _____ Date: _____	
	LEAD TIME WILL START UPON RECEIPT OF SIGNED APPROVAL DRAWING	

DISTRIBUTOR'S NAME: VESTIL MANUFACTURING		P.O.# X
DRAWN BY: JDB	DATE: 8/7/08	SCALE: 1:2
REFERENCE: X	QUOTE # X	SALES: X
		FILE NAME: 29-007-101