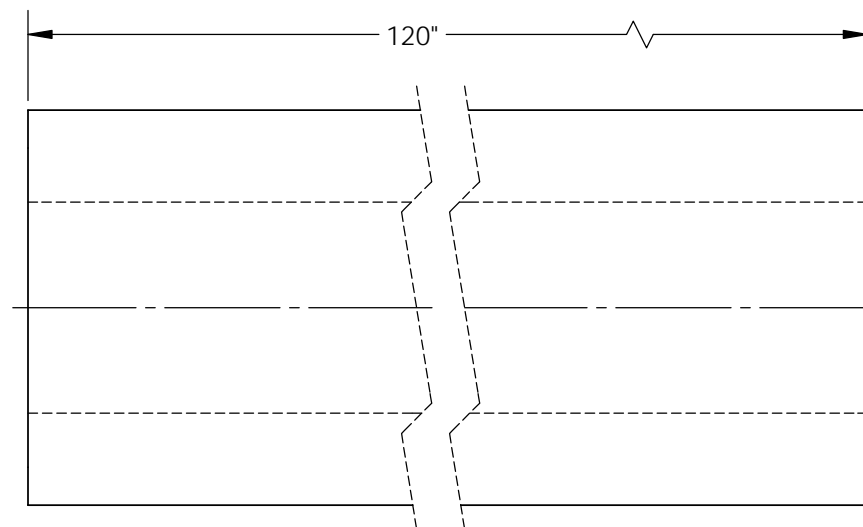
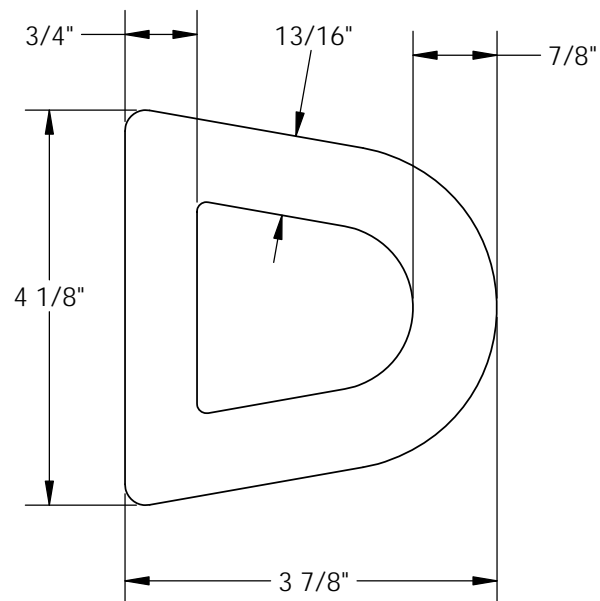


EXTRUDED RUBBER BUMPER (NO HOLES) - M-4-120

APPROX WEIGHT: 38.43 lbs.
 DOES NOT INCLUDE WEIGHT OF POWER OR PACKAGING!!!

*** ANY ADDITIONS, DELETIONS, OR OMISSIONS MUST BE CORRECTED ON THIS DRAWING AS THIS DRAWING WILL BE CONSIDERED ALL INCLUSIVE ***

ALL GRAPHICS PROVIDED ARE FOR REFERENCE ONLY. IF CERTAIN DIMENSIONS ARE CRITICAL PLEASE VERIFY THOSE DIMENSIONS WITH YOUR SALESPERSON



NOTE: ACTUAL PART LENGTH MAYBE
 -0"/+7"

DIMENSION TOLERANCE $\pm 1/2$ "

STANDARD FEATURES

- MODEL NUMBER IS M-4-120
- OVERALL WIDTH IS 4 1/8"
- OVERALL LENGTH IS 120"
- OVERALL HEIGHT IS 3 7/8"
- NUMBER OF MOUNTING HOLES 0

SPECIAL FEATURES

NONE

A P P R O V A L	I, THE UNDERSIGNED, AGREE THAT THE PRODUCT AS REPRESENTED SATISFIES DESIGN AND DIMENSION REQUIREMENTS. I ALSO ACKNOWLEDGE MY DUTY TO CONFIRM PRODUCT AND INSTALLATION COMPLIANCE WITH ALL APPLICABLE FEDERAL, STATE AND LOCAL REGULATIONS AND STANDARDS.	
	ALL SPECIAL UNITS ARE NON-RETURNABLE <input type="checkbox"/> As drawn <input type="checkbox"/> As marked	
Signed: _____		Date: _____
LEAD TIME WILL START UPON RECEIPT OF SIGNED APPROVAL DRAWING		

FOR INTERNAL USE ONLY PROJECT SIGN OFF	
SALES	
ENG.	
FAB.	
POWER	

DISTRIBUTOR'S NAME:		P.O.#
VESTIL MANUFACTURING		X
DRAWN BY:	DATE:	W.O.#
RPS	08/28/2012	X
REFERENCE:	SCALE:	FILE NAME:
X	1:2	
QUOTED LEAD TIME:	QUOTE #	
X	X	29-007-159