

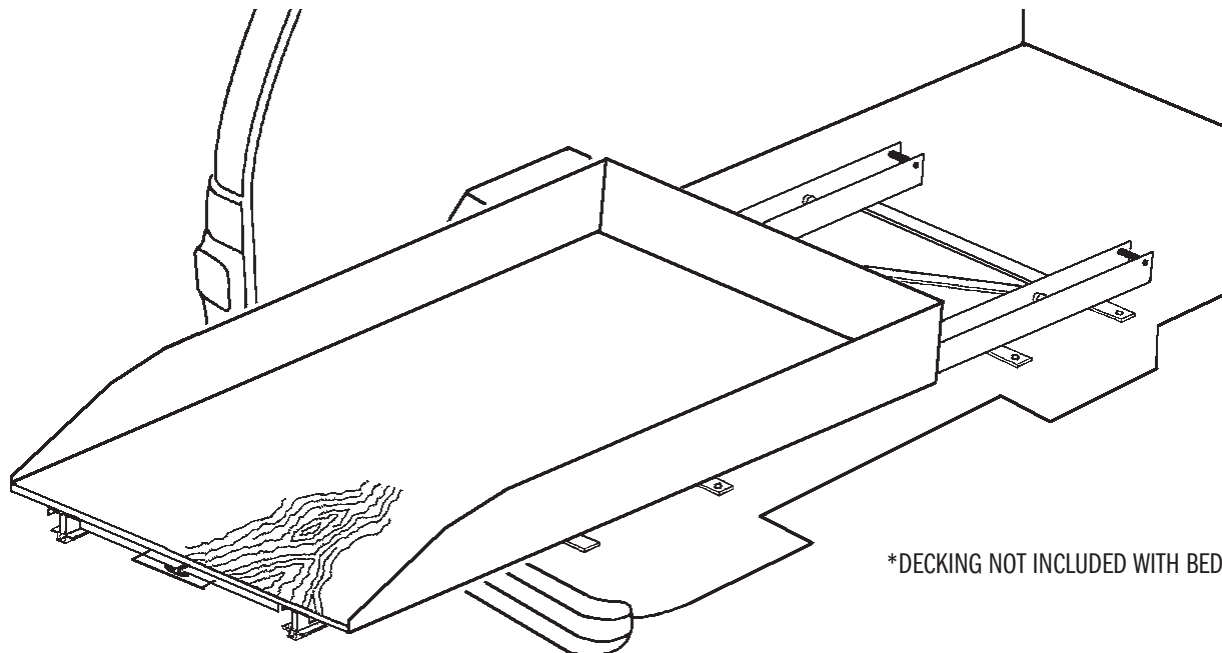


TRUCK AND VAN STORAGE SOLUTIONS
SECURING YOUR REPUTATION®

INSTALLATION MANUAL BED RAT® SLIDING PLATFORM

ATTENTION: PLEASE READ AND UNDERSTAND ALL INSTRUCTIONS AND WARNINGS
BEFORE ASSEMBLING, INSTALLING OR USING THIS PRODUCT.

MODELS 3100, 3200, 3300, 3400



*DECKING NOT INCLUDED WITH BED RAT®

▲ NOTICE

Use specific aluminum upfit components when installing WEATHER GUARD® products to aluminum truck beds. Follow additional instructions if mounting to an aluminum truck bed. There may be left over components depending on upfit.

Any modification or unintended use of this product shall immediately void all manufacturers warranties. Manufacturer disclaims all liability for injuries to persons or property resulting from any modification to, or unintended use of this product.

Load rating is 750 lbs. evenly distributed.

▲ DANGER

Danger of explosion. Do not use this product for storing or transporting flammables, explosives, hazardous materials, or hazardous waste, such as containers of gasoline, solvents, gun powder, dynamite, propane tanks, acetylene tanks and cutting torches and gas powered equipment. This product is only intended and safe for use in storing and transporting small tools, equipment and other similar materials. Any modifications made to, or unintended use of this product, could create a hazardous condition that can cause death, serious personal injury or property damage.

▲ WARNING

Prior to drilling, so as not to cut or puncture fuel tanks, fuel lines, electric wires, etc., check under vehicle for locations. All floor mounting bolts near the gas tank area should be installed from the underside of the vehicle, to guard against the gas tank being punctured in the event of a collision. This would mean not using Blind Fastener in this area. Holes drilled in this area should be 3/8". Both safety stop pins must be installed in the lower base to keep the upper deck unit from rolling off the lower base unit, which could result in serious personal injury or property damage.

These instructions are to be followed for proper installation of this product. Improper installation or any modifications made to this product could create a hazardous condition that can cause serious personal injury or property damage.

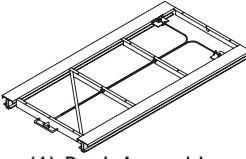
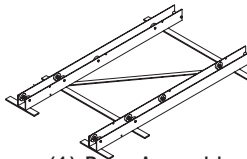
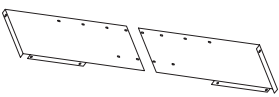

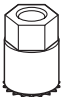
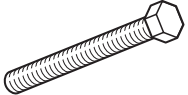









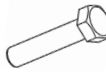




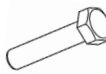




▲ CAUTION

To keep debris out of your eyes when checking the underside of the vehicle, or when drilling, always wear protective eyewear.

TOOLS REQUIRED

- Electric Drill
- Bits: 3/16", 5/16", 3/8" 1/2"
- Open or Box End Wrench - 1/2", (2) 7/16", 9/16"

PARTS LIST (ALL MODELS)

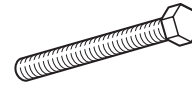
 (1) Deck Assembly	 (1) Base Assembly	 (1) Left & (1) Right End Retainer	 (1) Left & (1) Right Side Retainer	 (1) Installation Tool
 (1) 5/16-18 x 2-1/4" Black Oxide Bolt	 (22) 5/16-18 x 1-1/4" Carriage Bolt	 (4) 5/16-18 Nylon Lock Nut	 (2) 3/8 x 4 Stop Pin	 (4) 1/4-20 x 5/8" Hex Head Bolt
 (4) 1/4-20 Whiz Nut	 (22) 5/16-18 Whiz Nut			
Bolt Kit 32-3200 Model 3100, 3200				
 (8) 5/16-18 Blind Fastener	 (12) 5/16" Flat Washer	 (8) 5/16" Lock Washer	 (8) 5/16-18 x 1-1/2" Hex Head Bolt	 (4) Floor Mounting Spacer
Bolt Kit 32-3400 Model 3300, 3400				
 (12) 5/16-18 Blind Fastener	 (16) 5/16" Flat Washer	 (12) 5/16" Lock Washer	 (12) 5/16-18 x 1-1/2" Hex Head Bolt	
ALUMINUM BED UPFIT KIT PARTS LIST - 32-0244				
 (4) Vinyl Tape	 (1) Zinc Rich Primer	 (28) 1/2" x 1" Plastic Washer	 (4) 11/32" x 7/8" Plastic Washer	

BLIND FASTENER INSTALLATION

Place a drop of oil on black oxide bolt for lubrication before assembling.

Place the Blind Fastener in the hole and use 1/2" or 7/16" wrench to tighten black oxide bolt until fastener is fully seated (it will start out hard and get easier as fastener "bulbs" out).

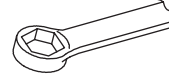
Make sure the Blind Fastener and Installation Tool do not turn during installation.



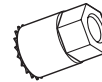
Black Oxide Bolt



Flat Washer



9/16" Wrench



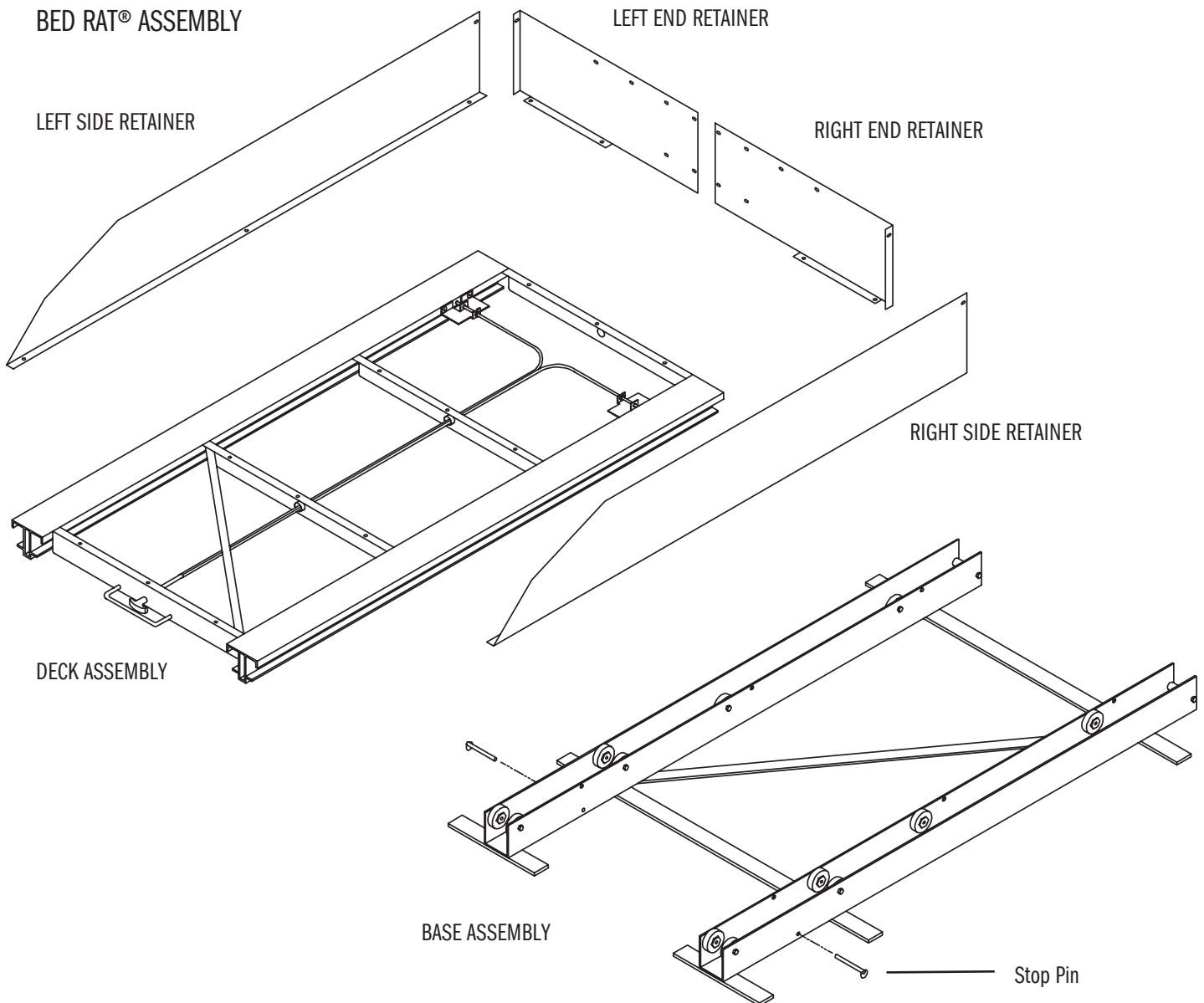
Installation Tool



Blind Fastener

ALUMINUM TRUCK BED INSTALLATION

Coat drilled holes with Zinc Rich Primer. Insert Blind Fastener through one 1/2" x 1" plastic washer. Insert Blind Fastener into drilled hole. Place second 1/2" x 1" plastic washer through the bottom of the Blind Fastener. Continue following installation instructions above to install Blind Fasteners.

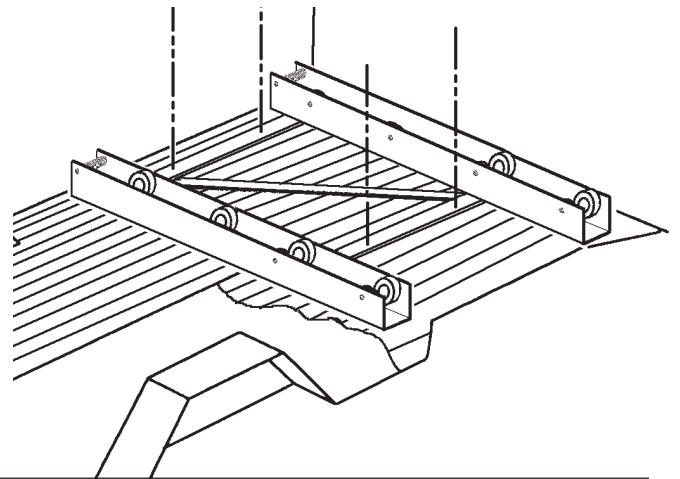


INSTALLATION INSTRUCTIONS

Note: If your truck bed is constructed of aluminum, use zinc rich primer to coat drilled holes.

STEP 1 Install Base Assembly

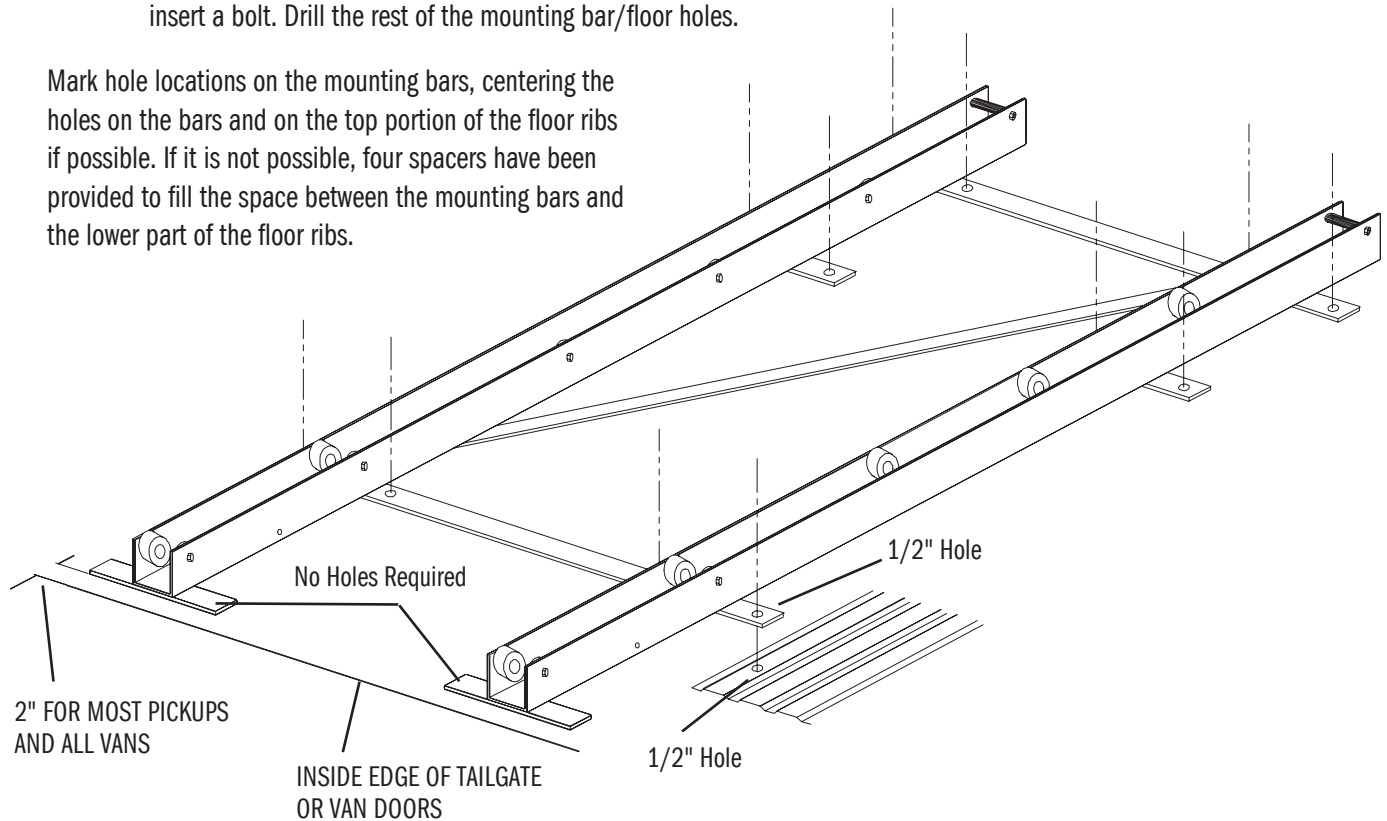
Place the Base Assembly centered in the vehicle as shown in the base assembly figure on page 3. Close the tailgate or doors to make sure the unit is properly placed. If installing a Model 3100 out of a van side door(s), make sure to take into account the door opening width. If installing a bulkhead, this should be done first.



STEP 2 Mark and Drill Mounting Holes

Note: · Twelve holes are required for Models 3300 & 3400, eight holes for Model 3200 and four for Model 3100. Drill through the mounting bar and the floor at one rear location, and insert a 5/16-18 x 1-1/2" Hex head bolt into the hole. Drill one front mounting bar location, and insert a bolt. Drill the rest of the mounting bar/floor holes.

Mark hole locations on the mounting bars, centering the holes on the bars and on the top portion of the floor ribs if possible. If it is not possible, four spacers have been provided to fill the space between the mounting bars and the lower part of the floor ribs.

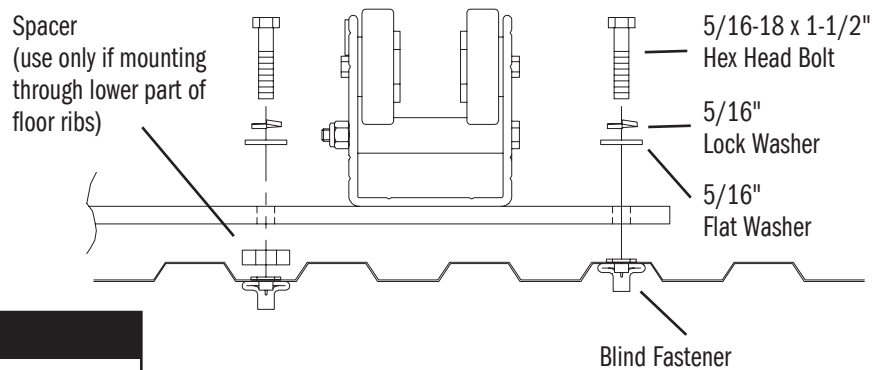


STEP 3 Remove Base Assembly

Remove the Base Assembly and re-drill the floor holes using a 1/2" drill bit.

STEP 4 Install Blind Fasteners

Install Blind Fastener in the floor holes.
Replace the Base Assembly in the
vehicle and fasten it to the floor.



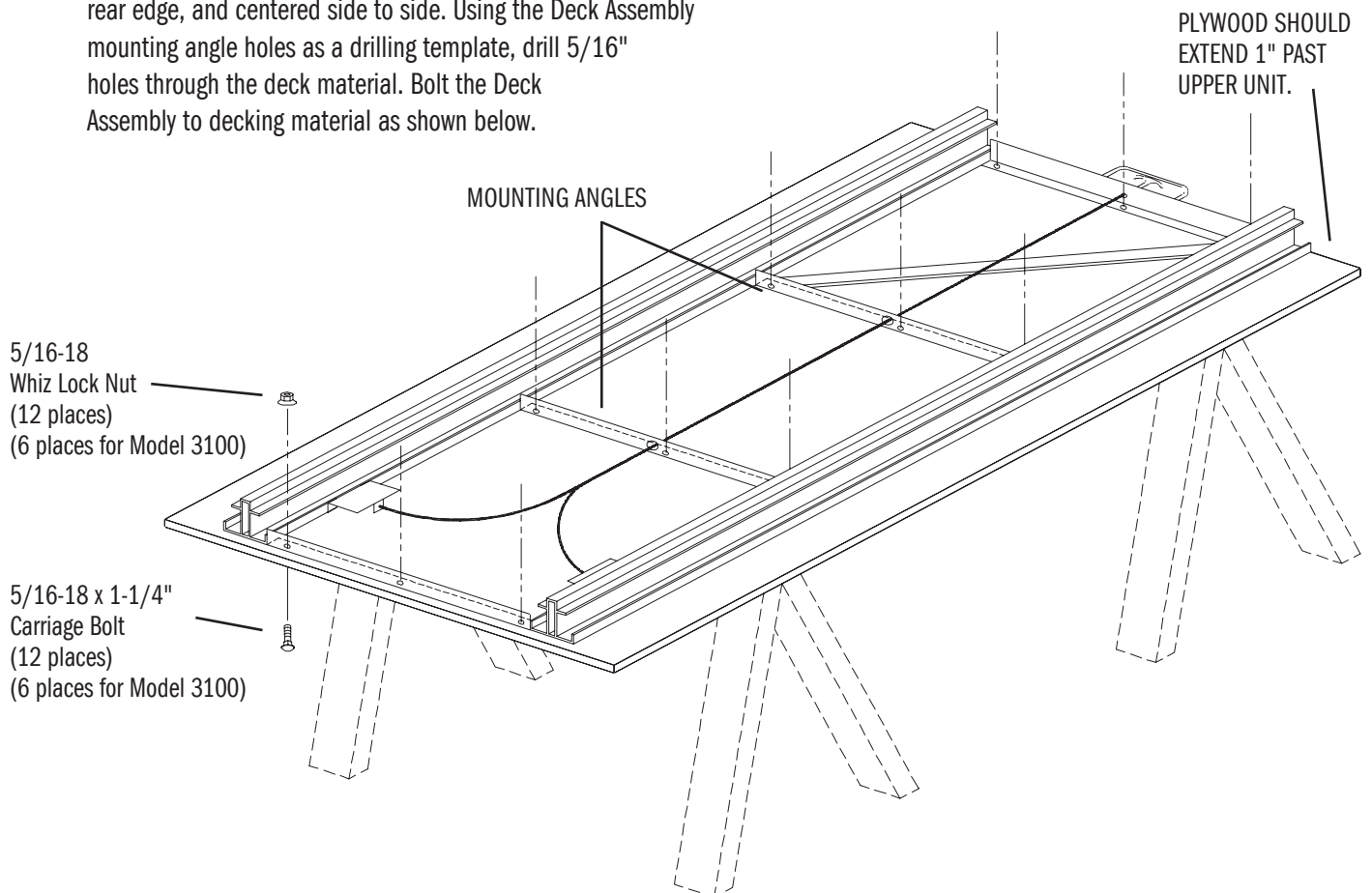
ALUMINUM TRUCK BED INSTALLATION:

Follow additional instructions if mounting to an aluminum truck bed as explained in the Blind Fastener Installation on page 3.

STEP 5 Deck Drilling and Fastening

To determine the size of the deck for pickups, the width must clear between the wheel wells, and the length must be just short of the inside length of the bed with the tailgate closed. For vans, the width must clear not only the wheel wells, but also any shelving or cabinetry fastened to the sides of the van and fit out the rear doors. The length must be just short of the inside length of the load area with the doors closed. In either case, the size of the deck may be considerably wider than the width of the bed rails, depending on the space available. Use 3/4" plywood that is 2" less than the inside length of the pickup bed. In full size vans, the width should be 1" less than the inside dimension of the rear doors when fully open.

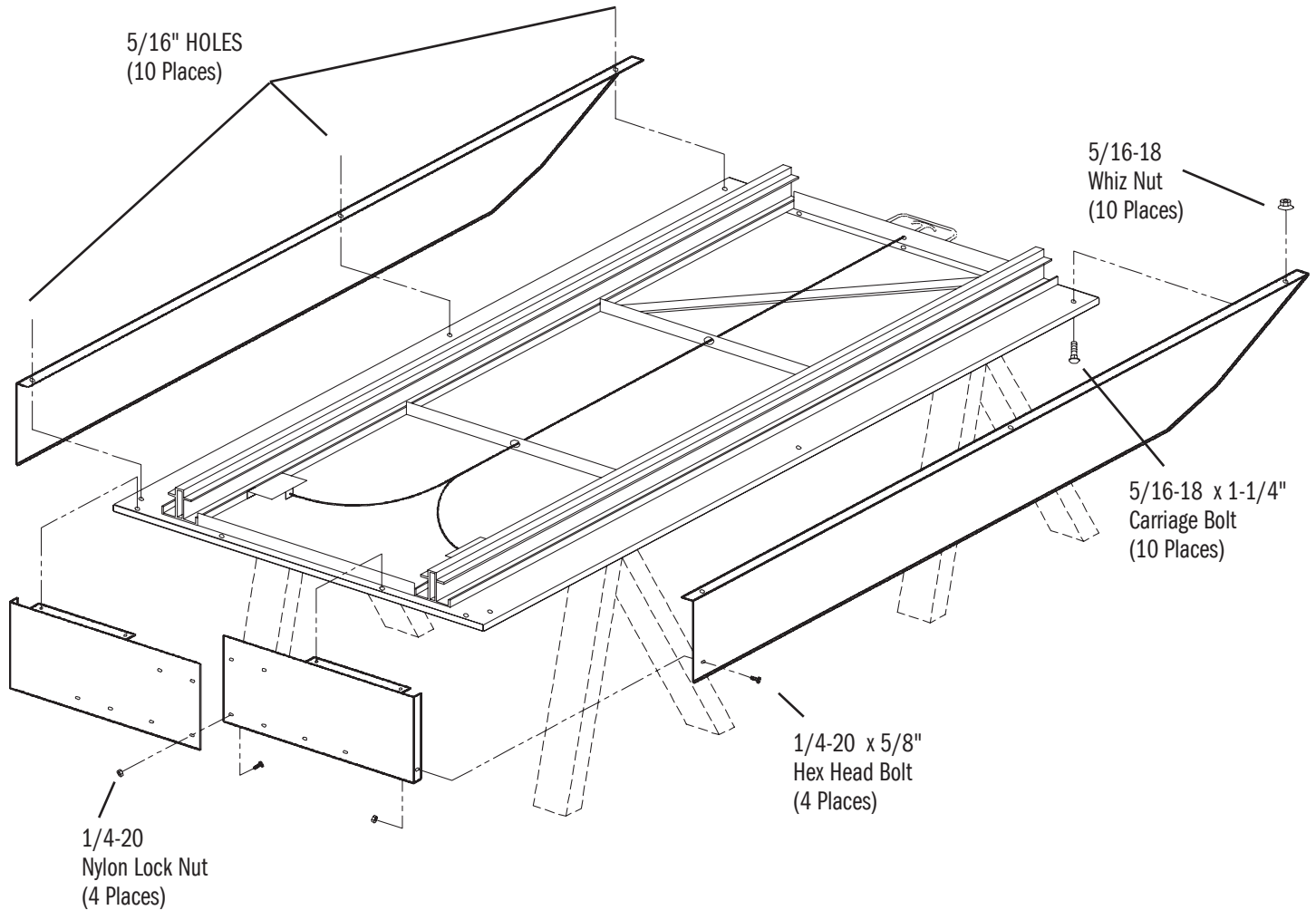
Lay the decking material across two sawhorses. With the help of another person, place the Deck Assembly upside down on the deck material, 1" from the rear edge, and centered side to side. Using the Deck Assembly mounting angle holes as a drilling template, drill 5/16" holes through the deck material. Bolt the Deck Assembly to decking material as shown below.



STEP 6 Side and End Retainer Drilling and Fastening

With the Deck Assembly fastened to the decking material and still upside down, place a side retainer lip on the decking, flush with the front of the decking. Mark the side retainer mounting holes. Repeat this for the other side retainer. Place a front retainer on the decking at the front, with the flange butted up to the decking side. Mark the front retainer mounting holes. Repeat this for the other front retainer.

Drill all marks with a 5/16" drill bit. Bolt the side and front retainers to the deck assembly. Bolt the side and front retainers together at the corners. The front retainers have slotted holes at the center that will align to bolt them together if using a decking with a width of 28", 30", 32", 35", 39", 40", 44" or 48". If using a decking with a non-standard width, it will be necessary to drill a set of 5/16" holes to fasten the front retainers together. Bolt the front retainers together.



KNAACK LLC LIMITED LIFETIME WARRANTY FOR WEATHER GUARD® PRODUCTS

WEATHER GUARD® Products – Limited Lifetime Warranty (Purchased on or after 1/1/2009)

KNAACK LLC (the “Manufacturer”) warrants to the original purchaser only that WEATHER GUARD® Truck and Van Products (the “WEATHER GUARD® Product”) will be free from defects in material and workmanship from the date of purchase and continuing for the expected lifetime of the WEATHER GUARD® Product. A copy of the original sales receipt must be supplied to the Manufacturer at the time a warranty claim is made. This warranty terminates if the original purchaser transfers the WEATHER GUARD® Product to any other person.

What is Covered

All WEATHER GUARD® Products identified above that are purchased on or after January 1, 2009.

What We Will Do To Correct Problems

Subject to the limitations and exclusions described in this limited warranty, the Manufacturer will remedy defects in materials or workmanship by providing one of the following remedies at its option and without charge to the original purchaser for parts or labor: (a) repairing the defective portion of the WEATHER GUARD® Product or (b) replacing the entire WEATHER GUARD® Product. In addition, the Manufacturer may elect at its option, not to repair or replace the WEATHER GUARD® Product, but rather issue to the original purchaser a refund equal to the purchase price paid for the WEATHER GUARD® Product or a credit to be used toward the purchase of a new WEATHER GUARD® Product.

What is Not Covered

This limited warranty expressly excludes:

- Defects caused by normal wear and tear, cosmetic rust, scratches, accidents, unlawful vehicle operation, or modification to the product, or any types or repair of a WEATHER GUARD® Product other than those authorized or provided by the Manufacturer.
- Defects resulting from conditions beyond the Manufacturer’s control including, but not limited to misuse, overloading, or failure to assemble, mount or use the WEATHER GUARD® Product in accordance with the Manufacturer’s written instructions or guidelines included with the WEATHER GUARD® Product or made available to the original purchaser.
- Damage to the contents of the box or vehicle.
- TO THE EXTENT PERMITTED BY LAW, IN NO EVENT SHALL THE MANUFACTURER BE LIABLE FOR ANY INCIDENTAL, SPECIAL, INDIRECT, OR CONSEQUENTIAL DAMAGES, INCLUDING ANY ECONOMIC LOSS, WHETHER RESULTING FROM NONPERFORMANCE, USE, MISUSE OR INABILITY TO USE THE WEATHER GUARD® PRODUCT OR THE MANUFACTURER’S NEGLIGENCE.

No Other Express Warranty Applies

This Limited Lifetime Warranty is the sole and exclusive warranty for WEATHER GUARD® Products. No employee, agent, dealer, or other person is authorized to alter this warranty or make any other warranty on behalf of KNAACK LLC.

Notification Procedures

If the WEATHER GUARD® Product does not conform with the terms of this limited warranty, the original owner must promptly notify the Manufacturer in writing upon discovery of the nonconformity. In order to receive the remedies under this limited warranty, the warranty claim must describe the nature of the nonconformity, and a copy of the original sales receipt, invoice, bill or other proof of purchase must accompany the claim. Repairs or modifications made to the WEATHER GUARD® Product by other than the Manufacturer or its authorized agent will nullify this limited warranty. Coverage under this limited warranty is conditioned at all times upon the owner’s compliance with these required notification and repair procedures. Warranty claims must include reciprocal contact information and may be made via certified mail to:

KNAACK LLC
ATTN: Warranty Claims
420 E. Terra Cotta Avenue
Crystal Lake, IL 60014



If you have any questions,
please call toll free at 1-800-456-7865

WEATHER GUARD® Products are protected by one or more of the following trademarks:
U.S. - 842268, 1661625, 1663369, 1840451, 1901674, 2228051, 2362167; Canada - 282725; U.K. - 1400720; N.Z. - 296049. Other trademarks pending.

