



# Operating Instructions & Service Parts Manual

## All Terrain Vise # 10010



*Record purchase information for quick reference:*

Stock No.:	10010
Serial No.:	
Purchased from:	
Date purchased:	

WILTON  
427 New Sanford Road  
LaVergne, Tennessee 37086  
Ph.: 800-274-6848  
[www.wilontools.com](http://www.wilontools.com)

**Manual No. M-10010**  
Rev B 08/2014

Copyright © 2014, WILTON

# Warranty and Service

Wilton® warrants every product they sell against manufacturers' defects. If one of our tools needs service or repair, please contact Technical Service by calling 1-800-274-6846, 8AM to 5PM CST, Monday through Friday.

## Warranty Period

The general warranty lasts for the time period specified in the literature included with your product or on the official Wilton branded website.

- Wilton products carry a limited warranty which varies in duration based upon the product. (See chart below)
- Accessories carry a limited warranty of one year from the date of receipt.
- Consumable items are defined as expendable parts or accessories expected to become inoperable within a reasonable amount of use and are covered by a 90 day limited warranty against manufacturer's defects.

## Who is Covered

This warranty covers only the initial purchaser of the product from the date of delivery.

## What is Covered

This warranty covers any defects in workmanship or materials subject to the limitations stated below. This warranty does not cover failures due directly or indirectly to misuse, abuse, negligence or accidents, normal wear-and-tear, improper repair, alterations or lack of maintenance.

## How to Get Technical Support

Please contact Technical Service by calling 1-800-274-6846. **Please note that you will be asked to provide proof of initial purchase when calling.** If a product requires further inspection, the Technical Service representative will explain and assist with any additional action needed. Wilton has Authorized Service Centers located throughout the United States. For the name of an Authorized Service Center in your area call 1-800-274-6846 or use the Service Center Locator on the Wilton website.

## More Information

Wilton is consistently adding new products. For complete, up-to-date product information, check with your local distributor or visit the Wilton website.

## How State Law Applies

This warranty gives you specific legal rights, subject to applicable state law.

## Limitations on This Warranty

WILTON LIMITS ALL IMPLIED WARRANTIES TO THE PERIOD OF THE LIMITED WARRANTY FOR EACH PRODUCT. EXCEPT AS STATED HEREIN, ANY IMPLIED WARRANTIES OF MERCHANTABILITY AND FITNESS FOR A PARTICULAR PURPOSE ARE EXCLUDED. SOME STATES DO NOT ALLOW LIMITATIONS ON HOW LONG AN IMPLIED WARRANTY LASTS, SO THE ABOVE LIMITATION MAY NOT APPLY TO YOU.

WILTON SHALL IN NO EVENT BE LIABLE FOR DEATH, INJURIES TO PERSONS OR PROPERTY, OR FOR INCIDENTAL, CONTINGENT, SPECIAL, OR CONSEQUENTIAL DAMAGES ARISING FROM THE USE OF OUR PRODUCTS. SOME STATES DO NOT ALLOW THE EXCLUSION OR LIMITATION OF INCIDENTAL OR CONSEQUENTIAL DAMAGES, SO THE ABOVE LIMITATION OR EXCLUSION MAY NOT APPLY TO YOU.

Wilton sells through distributors only. The specifications listed in Wilton printed materials and on official Wilton branded website are given as general information and are not binding. Wilton reserves the right to effect at any time, without prior notice, those alterations to parts, fittings, and accessory equipment which they may deem necessary for any reason whatsoever.

## Product Listing with Warranty Period

90 Days – Parts; Consumable items
Limited Lifetime – Wilton branded products

NOTE: Wilton is a division of JPW Industries, Inc. References in this document to Wilton also apply to JPW Industries, Inc., or any of its successors in interest to the Wilton brand.

Read and understand the entire owner's manual before attempting installation or operation.



## Warnings

1. Keep hands clear of jaws.
2. Make sure vise is properly secured to hitch receiver. If using accessory bench receiver, vise must be properly secured within receiver, and receiver bolted to bench with appropriate fasteners (not included).
3. Do not use the vise as a step; it may cause an individual to slip and fall. This caution is also inscribed in the anvil of the vise – see Figure 1.
4. Keep ground or floor around the vise uncluttered and free of scrap material, oil and grease. Wear non-slip footwear.
5. Do not place combustible materials or pressurized containers in vise.
6. Do not force the tool. Do not use a hammer against the handle, or use additional leverage such as cheater bars or pipe extensions, to tighten the screw handle. For heavier jobs, use a larger vise.
7. Vehicle safety brake must be engaged before operating vise.
8. Do not drive vehicle with material in the vise.
9. Use caution when backing a vehicle with the vise installed.
10. Make sure vise handle is locked and hitch pin is properly engaged before driving vehicle.
11. Read and understand all warnings posted on the vise and in this manual. Failure to comply with all of these warnings may cause serious injury.
12. Do not use this vise for other than its intended use.
13. Replace warning labels if they become obscured or removed.
14. Always wear ANSI-approved safety glasses or face shield when using striking or power tools with this vise. (Everyday eyeglasses only have impact resistant lenses; they are *not* safety glasses.) Wear hearing protection when needed.
15. Do not wear loose clothing or jewelry. Confine long hair. Keep clothing, hair and gloves away from moving parts.
16. Some dust created by power sanding, sawing, grinding, drilling and other construction activities contain chemicals known to cause cancer, birth defects or other reproductive harm. Some examples of these chemicals are:
  - Lead from lead based paint.
  - Crystalline silica from bricks, cement and other masonry products.
  - Arsenic and chromium from chemically treated lumber.Your risk of exposure varies, depending on how often you do this type of work. To reduce your exposure to these chemicals, work in a well-ventilated area and work with approved safety equipment, such as face or dust masks that are specifically designed to filter out microscopic particles.
17. Always inspect vise before use. Check for misalignment of moving parts, binding of moving parts, breakage of parts, mounting and any other conditions that may affect the tool's operation. If damage is found, repair the vise immediately or replace it.
18. Have tool serviced only by qualified personnel, using authorized replacement parts.

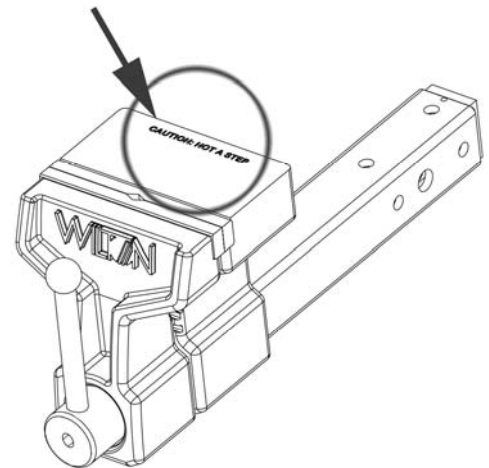


Figure 1

19. Provide for adequate space surrounding work area and sufficient lighting.
20. Do not use this tool while tired or under the influence of drugs, alcohol or medication.
21. Keep bystanders, especially children, away from the area while using the vise.
22. Give your work undivided attention. Looking around, carrying on a conversation and “horse-play” are careless acts that can result in serious injury.
23. Maintain a balanced stance at all times. Do not overreach while performing the work.

## About this vise

The WILTON All Terrain Vise has been designed and constructed to provide consistent long-term operation, if used in accordance with instructions as set forth in this document. The body is formed of high-strength ductile cast iron. The leadscrew is precision ground carbon steel with acme threads. The tube has adjusting screws top and side for eliminating play inside the hitch receiver. The handle can be repositioned without moving the jaws.

## About this manual

This manual covers operation and maintenance procedures for a WILTON All Terrain Vise. It contains instructions on installation, safety precautions, general operating procedures, maintenance instructions and parts breakdown.

The instructions and warnings presented in this manual cannot, of course, cover all possible situations or conditions in which a vise may be used. The operator is expected to take appropriate precautions and exercise common sense. As with any tool operation, safety of the operator and bystanders should be first priority.

If there are questions or comments, please contact your local supplier or Wilton. Wilton can also be reached at our web site: [www.wiltontools.com](http://www.wiltontools.com).

Retain this manual for future reference. If the tool transfers ownership, the manual should accompany it.

**⚠WARNING** Read and understand the entire contents of this manual before installing or using the All Terrain Vise. Failure to comply may cause serious injury.

## Specifications

Model .....	WILTON All Terrain Vise
Stock number.....	10010
Required hitch receiver.....	2 in. square
Jaw width .....	150 mm (6 in.)
Maximum jaw opening.....	145 mm (5-3/4 in.)
Jaw insert hardness.....	45-56 HRC
Pipe capacity .....	3/4 - 3 in. (or 1/2 - 3 in. with one jaw insert removed)
Clamping force.....	1 ton
Throat depth .....	127 mm (5 in.)
Jaw travel per one rotation of handle .....	4 mm (0.15 in.)
Weight.....	18 kg (39.68 lb)
Dimensions .....	489 x 150 x 185 mm (19-1/4 x 6 x 7-1/4 in.)
Primary materials.....	steel and ductile iron
Paint finish .....	powder coat enamel

*The specifications in this manual were current at time of publication, but because of our policy of continuous improvement, Wilton reserves the right to change specifications at any time and without prior notice, without incurring obligations.*

# Setup and assembly

**⚠WARNING** Read and understand all instructions and warnings in this manual before attempting installation or operation of hitch vise. Failure to comply may cause serious injury.

## Shipping contents

- 1 Vise
- 1 Hitch pin with cotter pin
- 1 Bench mount receiver
- 1 Instructions and parts manual
- 1 Warranty card

Remove contents from shipping carton, and check for shipping damage or missing parts. If either of these is discovered, contact your dealer or Wilton at the phone number on the cover.

## Installing to hitch

Refer to Figure 2.

The All Terrain Vise is designed to be inserted into a 2-inch square hitch receiver.

1. Slide vise tube into receiver. If there is too much “play” within the receiver, remove the vise and rotate any of four screws (A) on the vise tube, with a 5/16” hex key. Reinstall and test for fit, making further adjustments as needed.
2. Align hole in vise tube with hole in hitch receiver.
3. Insert hitch pin (B) completely through receiver and vise tube.
4. Install cotter pin (C) through hole in hitch pin.

**⚠WARNING** Cotter pin must be properly secured in hitch pin before operating vise or moving vehicle to which vise is mounted.

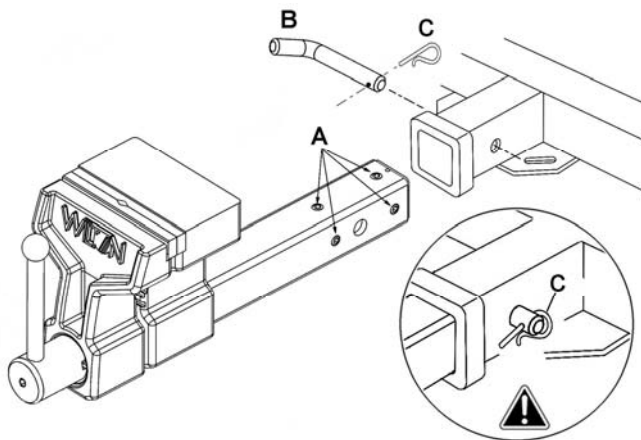


Figure 2

## Installing to bench/table

Bench or table must be capable of supporting combined weight of vise, workpiece and applied forces. If additional strength is needed, mount supporting boards beneath the table.

Refer to Figures 3 and 4.

1. Position vise on bench. The rear (or static) jaw should just overhang the bench to prevent obstruction when inserting long work pieces.
2. Place bench receiver over vise tube and mark hole positions on bench. Figure 3 identifies hole dimensions. Drill holes of appropriate diameter in table.
3. Mount bench receiver to bench using fasteners of suitable grade, length and diameter. The hole in the side of the receiver should be at the end farthest from the vise.
4. Slide vise tube into bench receiver. If there is too much “play” within the receiver, rotate any of the four adjustment screws on the tube (A, Figure 2).
5. Install hitch pin through holes of tube and receiver (Figure 4).
6. Install cotter pin into hitch pin hole.

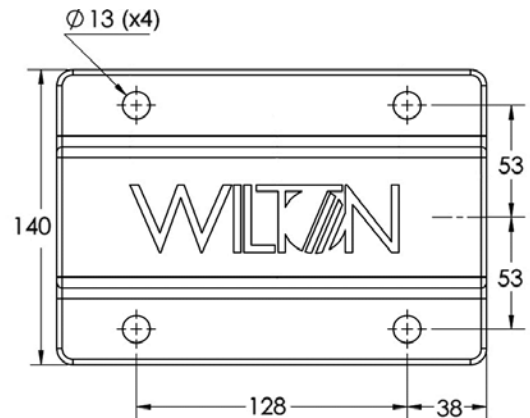


Figure 3 (dimensions in millimeters)

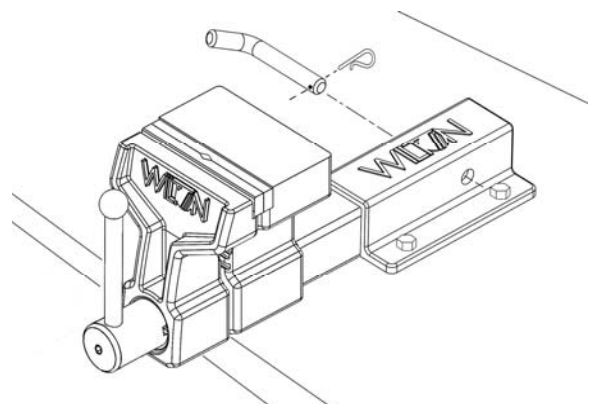


Figure 4

## Adjustments and Operation

Before use, inspect the vise for cracks, misalignment, binding, or any other problems that may compromise its safe use.

### Handle adjustment

Refer to Figure 5.

The handle hub is spring-loaded, and allows the handle to be repositioned without moving the jaws.

After securing the workpiece in the jaws, grasp handle hub and pull out. Rotate handle hub to desired position, then release.

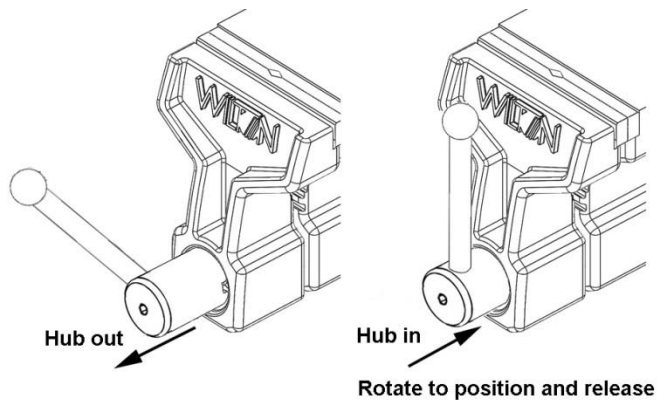


Figure 5

### To operate the hitch vise:

1. Turn screw handle counterclockwise to open jaws. Do not try to force jaws apart farther than the rated capacity/jaw opening.
2. Choose the straight jaws or pipe jaws. Insert workpiece and turn handle clockwise to close jaws.
3. Tighten enough that workpiece can no longer be shifted within the jaws. Do not overtighten, as this may damage workpiece and/or jaws.

## Maintenance

**Inspection:** Before use, inspect vise for misalignment, binding or cracked/damaged parts, or any other condition that may affect safe operation. Repair or replace a damaged vise.

**Cleaning:** After use, wipe external surfaces of the vise with a clean rag. Apply a light coat of machine oil to exposed metal areas.

**Lubrication:** The leadscrew is permanently lubricated and enclosed, and should not require attention. Lubricate other moving parts of the vise with machine oil.

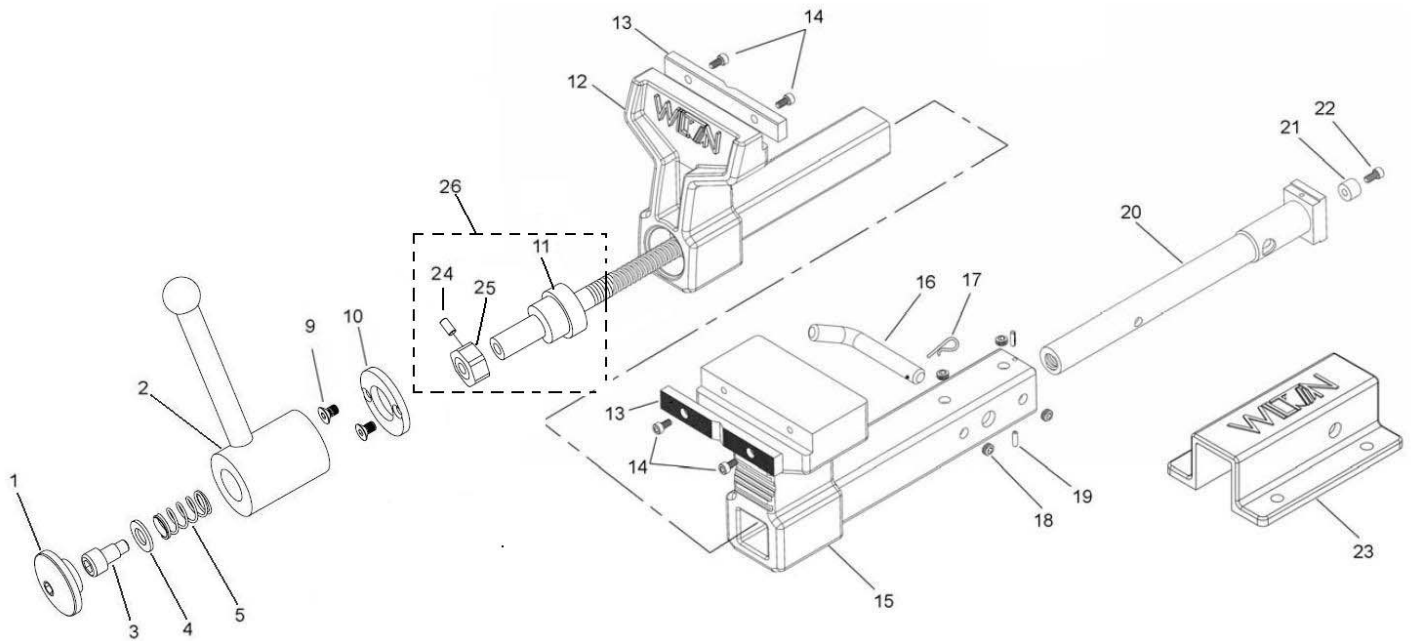
**Jaw insert replacement:** Use a 5mm hex key to remove two screws on the jaw insert. Securely tighten the new jaw insert to the vise using the same screws.

**NOTE:** If replacing jaw inserts, replace both as a set.

## Replacement Parts

To order parts or reach our service department, call 1-800-274-6848 Monday through Friday, 8AM to 5PM CST. Having the Model Number and Serial Number of your machine available when you call will allow us to serve you quickly and accurately.

# WILTON All Terrain Vise #10010 – Exploded View



## WILTON All Terrain Vise #10010 – Parts List

Index No	Part No	Description	Size	Qty
	ATV-HA	Handle Assembly (index #1-5)		1
1	ATV-01	Cap		1
2	ATV-02	Handle		1
3	ATV-03	Socket Head Cap Screw		1
4	ATV-04	Washer	Ø11 x Ø20x 2 mm	1
5	ATV-05	Spring	Ø16x22 mm	1
9	ATV-09	Set Screw		2
10	ATV-10	Spindle Collar		1
11		Lead Screw (Re: ATV-11)		1
12		Floating Jaw Body		1
13	ATV-13	Jaw Insert (set of 2)	6"L x 1/2"W x 7/8"H	1 set
14	TS-1503031	Socket Head Cap Screw	M6x12	4
15		Stationary Jaw Body		1
16	ATV-16	Hitch Pin	Ø16 mm	1
17	ATV-17	Cotter Pin	Ø4 mm	1
18	ATV-23	Adjustment Screw		4
19	ATV-18	Roll Pin	4x12 mm	2
20	ATV-19	Spindle Nut		1
21	ATV-20	Spacer		1
22	JHM610-22	Socket Head Cap Screw	M6x14	1
23	10300	Bench Mount Receiver		1
24		Handle Pin (Re: ATV-11)		1
25		Hexagonal Collar (Re: ATV-11)		1
26	ATV-11	Lead Screw Assembly (index #11,24,25)		1

Some parts are shown for reference only and may not be available as replacement parts.



427 New Sanford Road  
LaVergne, Tennessee 37086  
Phone: 800-274-6848  
[www.wiltontools.com](http://www.wiltontools.com)