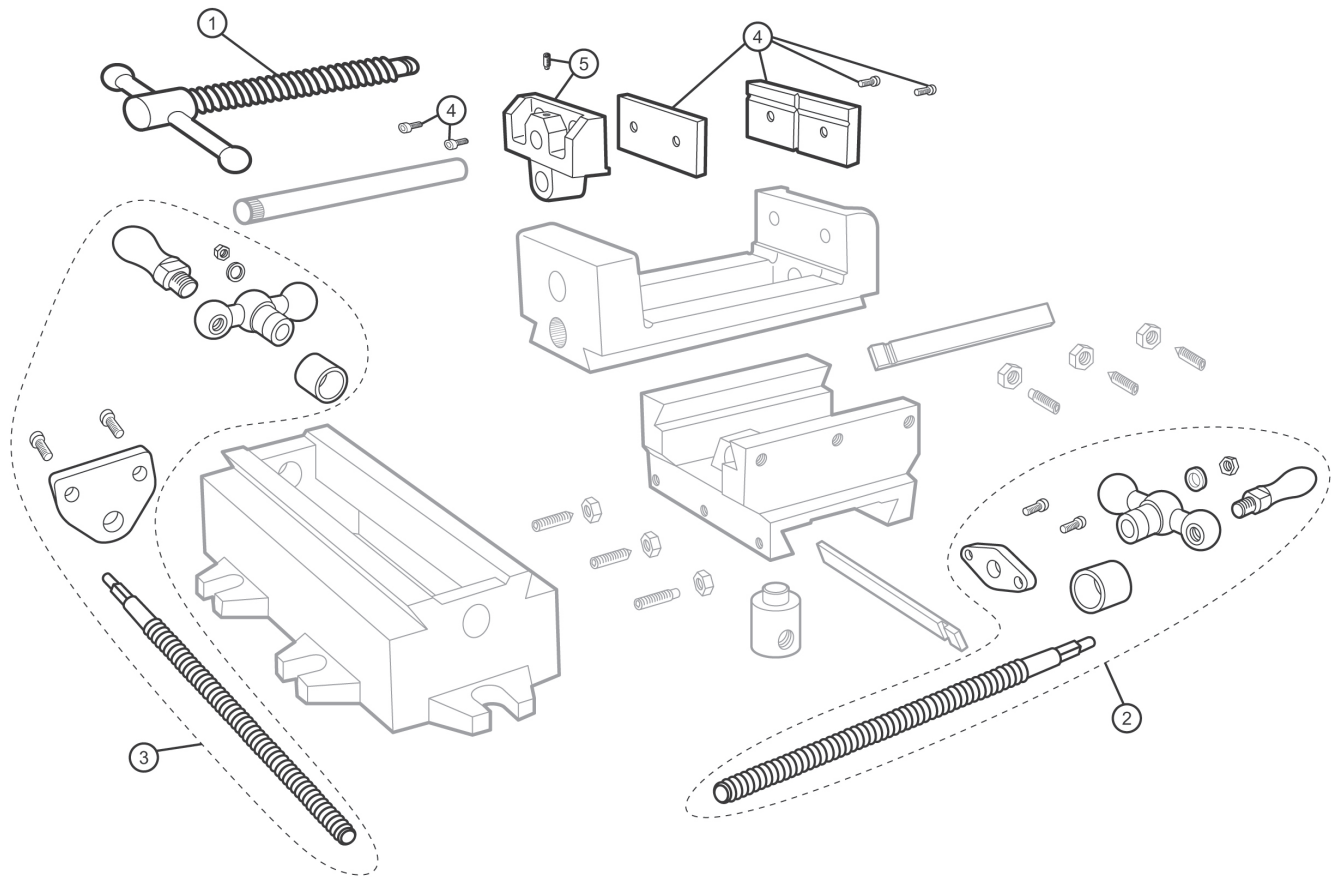




### 5" Cross Slide Drill Press Vise - Parts Diagram

5" Jaw Width, 5" Jaw Opening, 1-1/2" Jaw Depth

Stock #: 11695 Model #: CS5



#	Part	Description
1	11695-01	Handle & Spindle Assembly - 1
2	11695-02	Handle & Spindle Assembly - 2
3	11695-03	Handle & Spindle Assembly - 3
4	11695-04	Jaw Insert Assembly
5	11695-05	Moveable Jaw with Screw

**WILTON**

427 New Sanford Road  
 LaVergne, Tennessee 37086  
 Ph.: 800-274-6848  
 www.wiltontools.com

**Part No. M-11695**  
 Revision B 08/2014

Copyright © 2014 WILTON, a Division of JPW Industries, Inc.