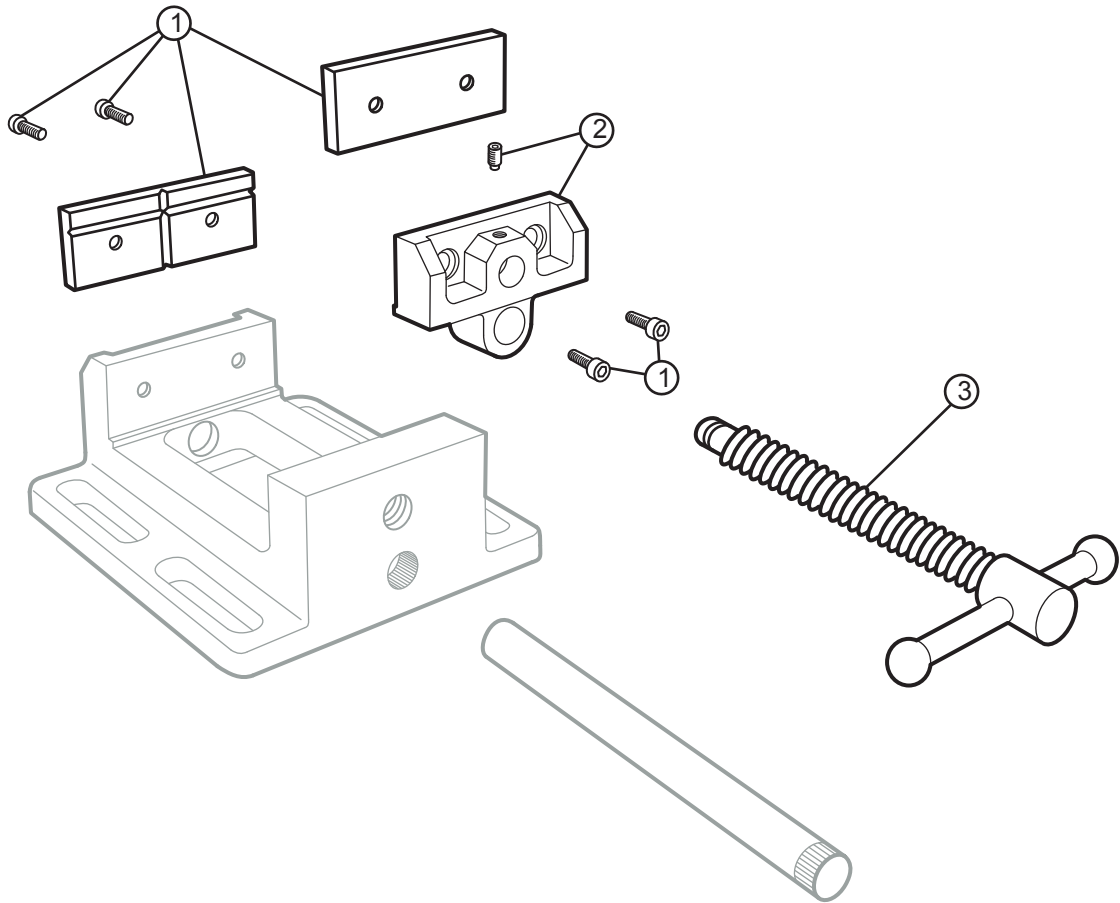




### 8" Low Profile Drill Press Vise - Parts Diagram

8" Jaw Width, 8" Jaw Opening, 2" Jaw Depth

Stock #: 11748 Model #: LP8



#	Part	Description
1	11748-01	Jaw Insert Assembly (4 screws)
2	11748-02	Movable Jaw & Screw
3	11748-03	Spindle & Handle Assembly

#### WILTON

427 New Sanford Road  
LaVergne, Tennessee 37086  
Ph.: 800-274-6848  
www.wilontools.com

**Part No. M-11748**

Revision B 08/2014

Copyright © 2014 WILTON, a Division of JPW Industries, Inc.