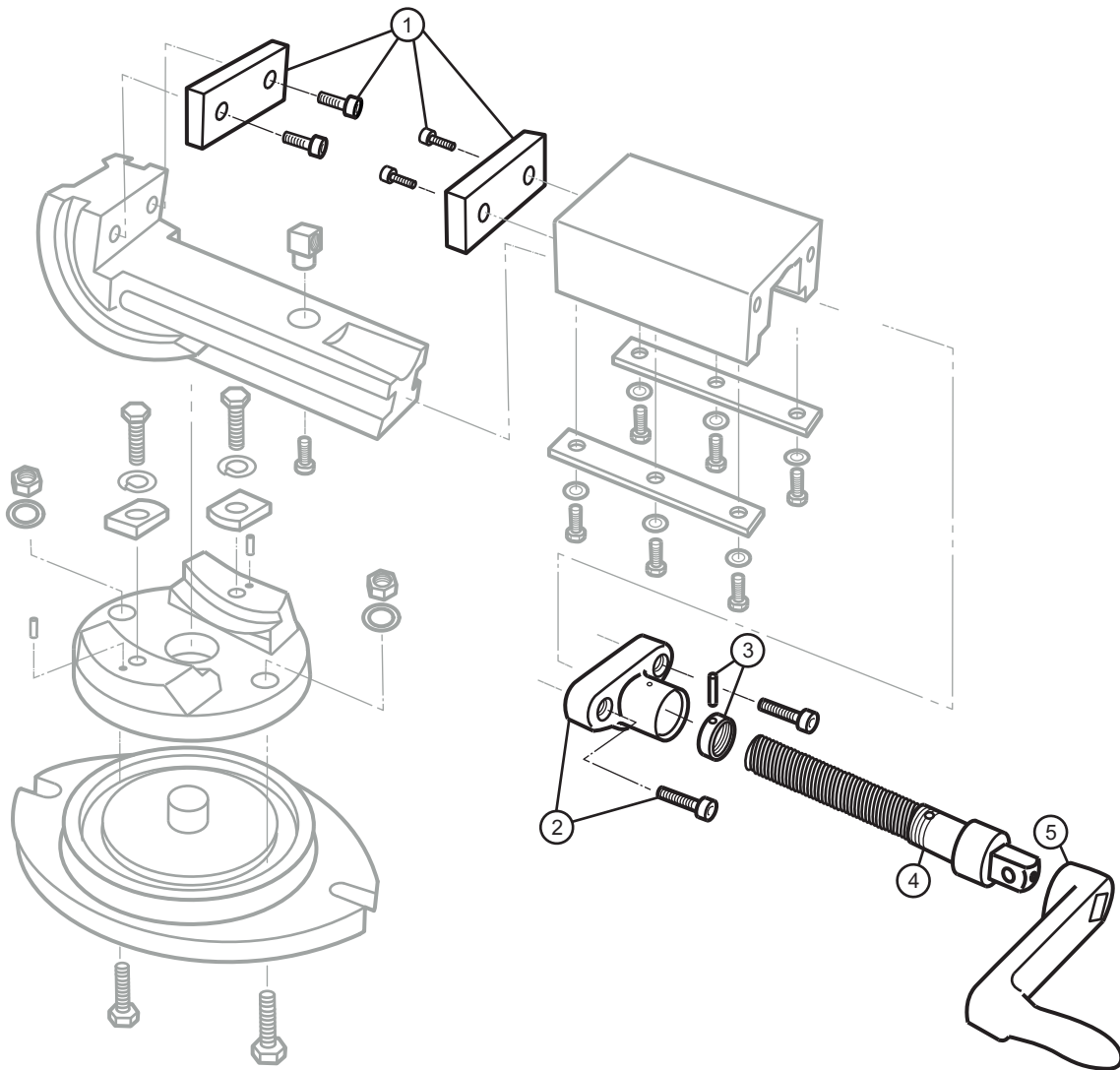




Super Precision 2-Axis Angular Machine Vise Parts Diagram

4" Jaw Width, 4" Jaw Opening, 1-9/16" Jaw Depth

Stock #: 11705 Model #: AMV/SP-100



#	Part	Description
1	11705-01	Jaw Insert Assembly
2	11705-02	Sleeve and Socket Head (2)
3	11705-03	Collar and Roll Pin
4	11705-04	Clamp Screw
5	11705-05	Handle