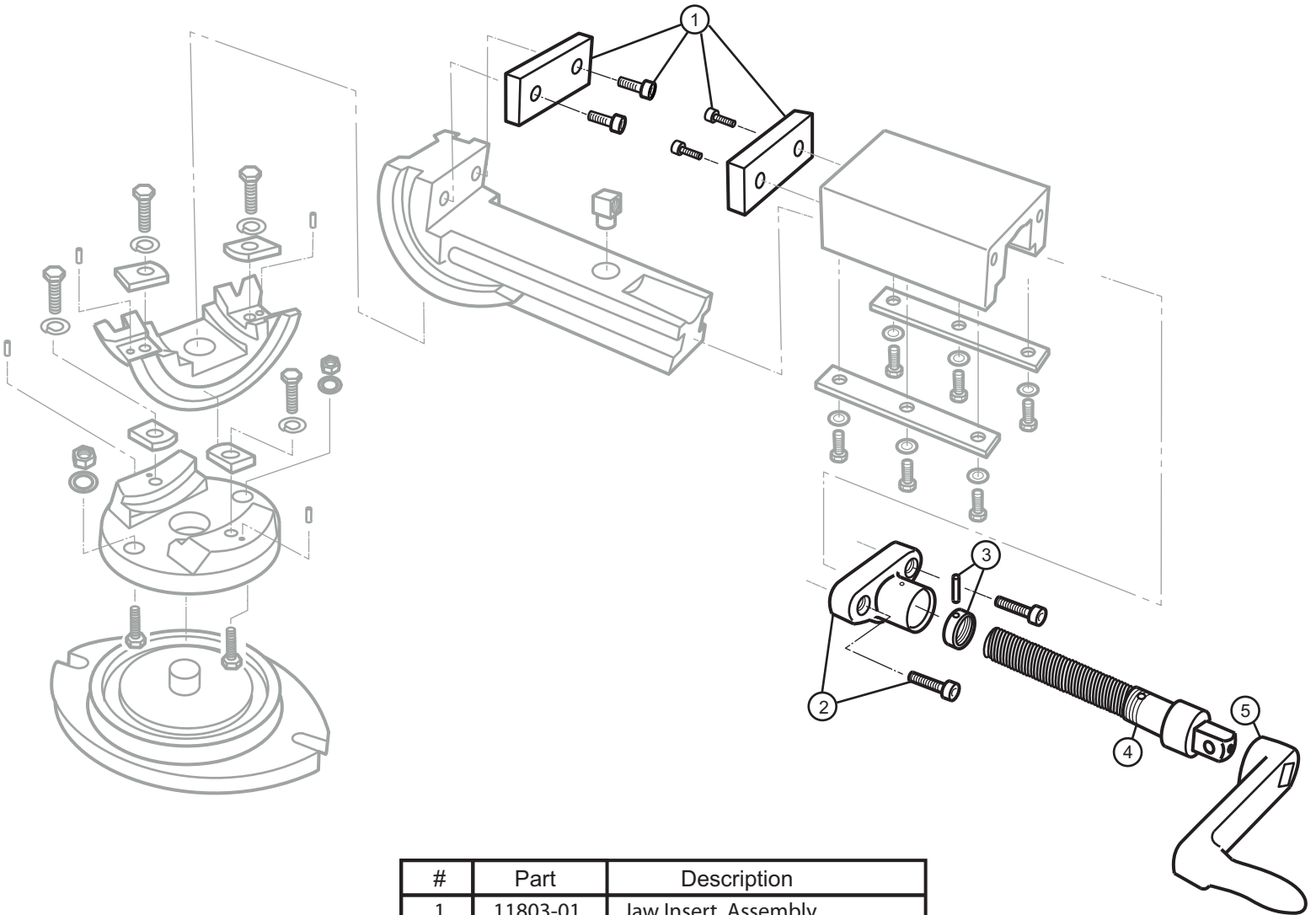




**Super Precision 3-Axis Tilting Machine Vise Parts Diagram**

5" Jaw Width, 5" Jaw Opening, 1-3/4" Jaw Depth

Stock #: 11803 Model #: TLT/SP -125



#	Part	Description
1	11803-01	Jaw Insert Assembly
2	11803-02	Sleeve and Socket Head (2)
3	11803-03	Collar and Roll Pin
4	11803-04	Clamp Screw
5	11803-05	Handle