

JET[®]

Parts List and Electrical Diagram for J-720R Radial Arm Drill Press



WALTER MEIER (Manufacturing) Inc.

427 New Sanford Road
LaVergne, Tennessee 37086
Ph.: 800-274-6848
www.waltermeier.com

M-320033-1
05/2011

Copyright © 2011 Walter Meier (Manufacturing) Inc.

Warranty and Service

Walter Meier (Manufacturing) Inc., warrants every product it sells. If one of our tools needs service or repair, one of our Authorized Service Centers located throughout the United States can give you quick service. In most cases, any of these Walter Meier Authorized Service Centers can authorize warranty repair, assist you in obtaining parts, or perform routine maintenance and major repair on your JET® tools. For the name of an Authorized Service Center in your area call 1-800-274-6848.

MORE INFORMATION

Walter Meier is consistently adding new products to the line. For complete, up-to-date product information, check with your local Walter Meier distributor, or visit waltermeier.com.

WARRANTY

JET products carry a limited warranty which varies in duration based upon the product (MW = Metalworking, WW = Woodworking).

90 DAY WARRANTY	1 YEAR WARRANTY	2 YEAR WARRANTY	3 YEAR WARRANTY	5 YEAR WARRANTY	LIFE LIFETIME WARRANTY	
Lathe Accessories Machine Accessories Mobile Bases Safety Equipment Specialty Items Vise Accessories	Air Tools- Contractor Air Tools-Industrial Air Tools-Light Industrial Lubrication	Body Repair Kits Bottle Jacks Cable Pullers Cold Saws Hoists-Air Hoists-Electric Metal forming Mill/Drills Milling Machines MW Bandsaws MW Drill Presses MW Finishing Equipment MW Lathes MW Precision Vises	Palet Trucks Rigging Equip. Service Jacks Stackers Surface Grinders Tapping Trolleys-Air Trolleys-Electric Web Slings Winches-Electric	Beam Clamps Chain Hoist- Manual Lever Hoists Pullers-JCH Models Scissor Lift Tables Screw Jacks Trolleys-Geared Trolleys-Plain Winches-Manual WW Air Filtration WW Bandsaws WW Buffers	WW Benchtop Tools WW Drill Presses WW Dust Collectors WW Dust Filters WW Dust Fittings WW Jointers WW Lathes WW Planers WW Sanders WW Shapers WW Tablesaws	Fastening Tools Mechanics Hand Tools Striking Tools Vises (no -precision) Clamps
<i>Warranty reverts to 1 Year Warranty if woodworking (WW) products listed above are used for industrial or educational purposes.</i>						

WHAT IS COVERED?

This warranty covers any defects in workmanship or materials subject to the exceptions stated below. Cutting tools, abrasives and other consumables are excluded from warranty coverage.

WHO IS COVERED?

This warranty covers only the initial purchaser of the product.

WHAT IS THE PERIOD OF COVERAGE?

The general JET warranty lasts for the time period specified in the product literature of each product.

WHAT IS NOT COVERED?

Five Year Warranties do not cover woodworking (WW) products used for commercial, industrial or educational purposes. Woodworking products with Five Year Warranties that are used for commercial, industrial or education purposes revert to a One Year Warranty. This warranty does not cover defects due directly or indirectly to misuse, abuse, negligence or accidents, normal wear-and-tear, improper repair or alterations, or lack of maintenance.

HOW TO GET SERVICE

The product or part must be returned for examination, postage prepaid, to a location designated by us. For the name of the location nearest you, please call 1-800-274-6848.

You must provide proof of initial purchase date and an explanation of the complaint must accompany the merchandise. If our inspection discloses a defect, we will repair or replace the product, or refund the purchase price, at our option. We will return the repaired product or replacement at our expense unless it is determined by us that there is no defect, or that the defect resulted from causes not within the scope of our warranty in which case we will, at your direction, dispose of or return the product. In the event you choose to have the product returned, you will be responsible for the shipping and handling costs of the return.

HOW STATE LAW APPLIES

This warranty gives you specific legal rights; you may also have other rights which vary from state to state.

LIMITATIONS ON THIS WARRANTY

WALTER MEIER (MANUFACTURING) INC., LIMITS ALL IMPLIED WARRANTIES TO THE PERIOD OF THE LIMITED WARRANTY FOR EACH PRODUCT. EXCEPT AS STATED HEREIN, ANY IMPLIED WARRANTIES OR MERCHANTABILITY AND FITNESS ARE EXCLUDED. SOME STATES DO NOT ALLOW LIMITATIONS ON HOW LONG THE IMPLIED WARRANTY LASTS, SO THE ABOVE LIMITATION MAY NOT APPLY TO YOU.

WALTER MEIER SHALL IN NO EVENT BE LIABLE FOR DEATH, INJURIES TO PERSONS OR PROPERTY, OR FOR INCIDENTAL, CONTINGENT, SPECIAL, OR CONSEQUENTIAL DAMAGES ARISING FROM THE USE OF OUR PRODUCTS. SOME STATES DO NOT ALLOW THE EXCLUSION OR LIMITATION OF INCIDENTAL OR CONSEQUENTIAL DAMAGES, SO THE ABOVE LIMITATION OR EXCLUSION MAY NOT APPLY TO YOU.

Walter Meier sells through distributors only. The specifications in Walter Meier catalogs are given as general information and are not binding. Members of Walter Meier reserve the right to effect at any time, without prior notice, those alterations to parts, fittings, and accessory equipment which they may deem necessary for any reason whatsoever. JET®-branded products are not sold in Canada by Walter Meier.

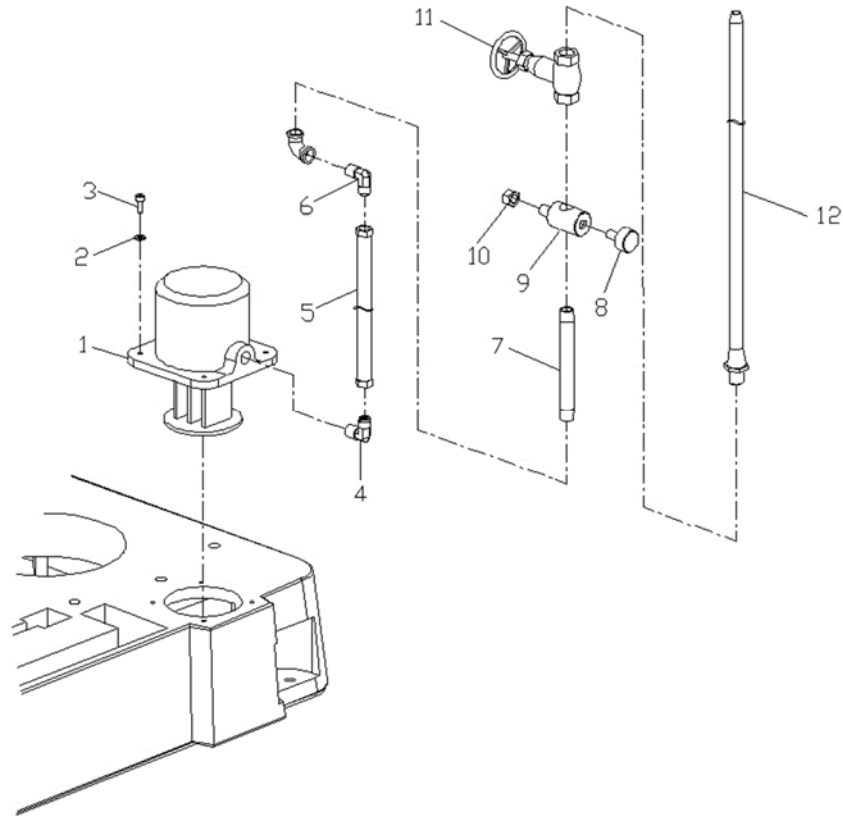
Table of Contents

- Warranty and Service..... 2
- Table of Contents..... 3
- Replacement Parts..... 4
 - Coolant Pump Assembly..... 4
 - Parts List for Coolant Pump Assembly..... 4
 - Lift Mechanism..... 5
 - Parts List for Lift Mechanism..... 6
 - Base, Column, and Arm Assemblies..... 7
 - Parts List for Base, Column, and Arm Assemblies..... 8
 - Gear Box Assembly..... 10
 - Parts List for Gear Box Assembly..... 11
 - Rear Gear Box Assembly I..... 14
 - Rear Gear Box Assembly II..... 15
 - Parts List for Rear Gear Box Assembly..... 16
 - Electrical Box..... 17
 - Parts List for Electrical Box..... 17
 - 720R Electrical Connections..... 18
 - Parts List for 720R Electrical Connections..... 19

Replacement Parts

To order parts or reach our service department, call 1-800-274-6848, Monday through Friday (see our website for business hours, www.waltermeier.com). Having the Model Number and Serial Number of your machine available when you call will allow us to serve you quickly and accurately.

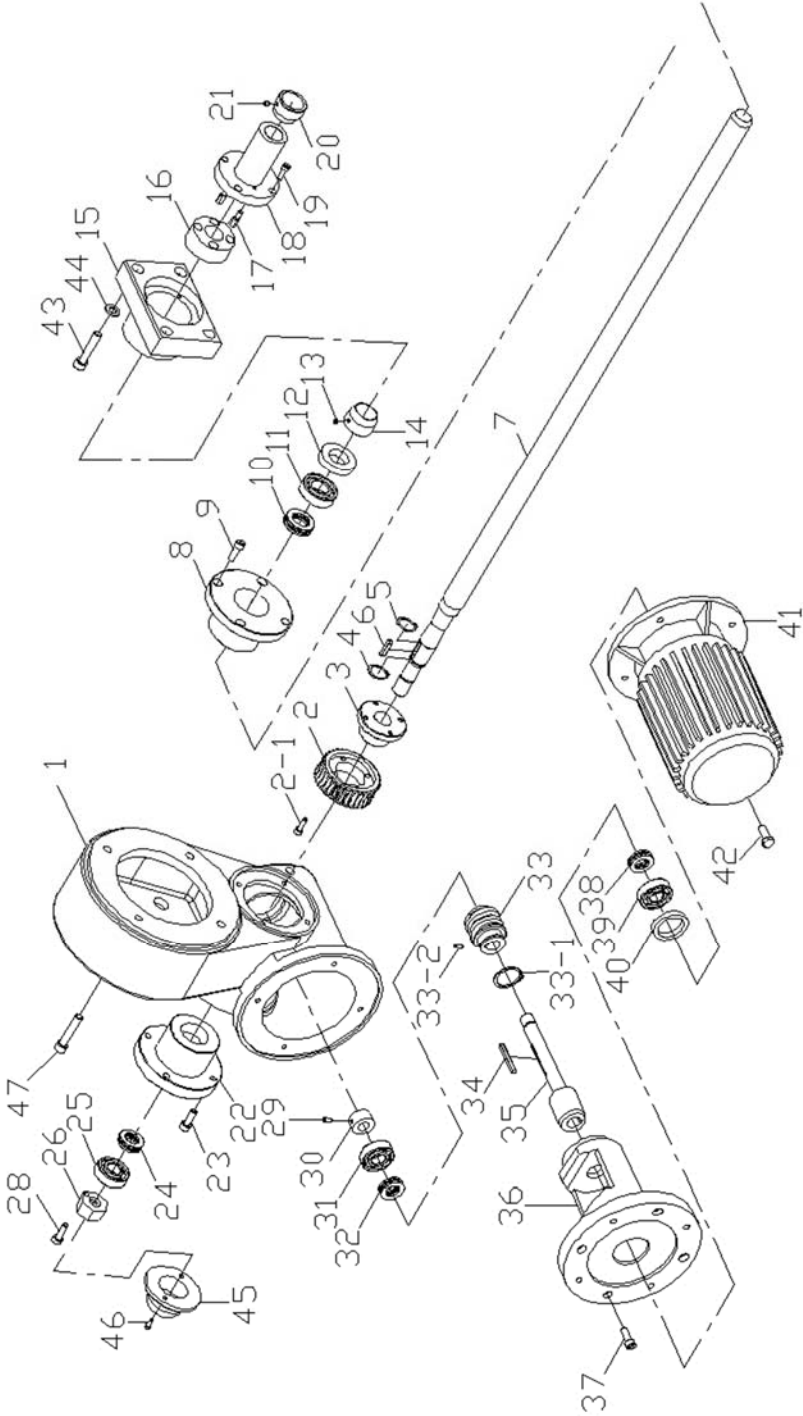
Coolant Pump Assembly



Parts List for Coolant Pump Assembly

Index No.	Part No.	Description	Size	Qty
1	5232291	Coolant Pump	130L 220/380V	1
2	TS-1550041	Washer	M6	4
3	TS-1503041	Socket Head Cap Screw	M6x16L	4
4	M0602001	90° Elbow	PT3/8" x PS3/8" x 90°	1
5	M0506003	Tube	PT3/8" x 95"L	1
6	M0602001	90° Elbow	PT3/8"xPS3/8"x90°	1
7	M0510003	Tube	38"x6"L	1
8	5232391	Knurled Screw	M10x25L	1
9	10014	Tube Sleeve		1
10	5235811	Nut	1/2"	1
11	5232421	Brass Valve	3/8"	1
12	5232431	Coolant Hose	3/8"x450L	1

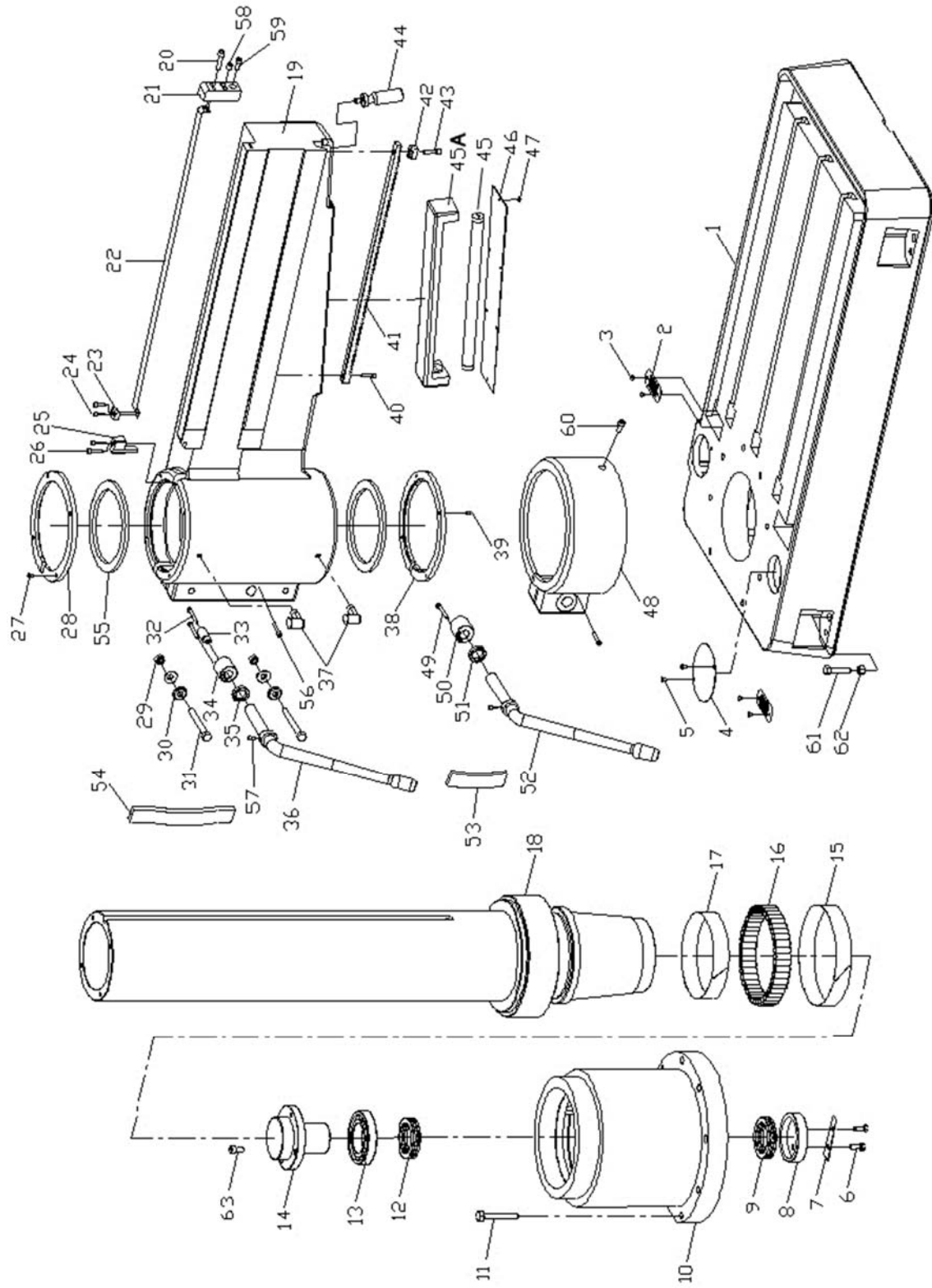
Lift Mechanism



Parts List for Lift Mechanism

Index No.	Part No.	Description	Size	Qty
1	10162	Top Cap		1
2	10163	Worm Gear		1
2-1	TS-1503051	Socket Head Cap Screw	M6x20L	4
3	10173	Worm Bushing		1
4	M1312-S24	Retainer	S24	1
5	M1312-S24	Retainer	S24	1
6	M1328-6x30	Key	6mmx30L	1
7	10164	Lead Screw		1
8	10165	Bearing Bracket		1
9	TS-1504051	Socket Head Cap Screw	M8x25L	4
10	BB-51105	Bearing	51105	1
11	BB-6205ZZ	Bearing	6205ZZ	1
12	M0702034	Oil Seal	TC30x52x11	1
13	TS-1523011	Set Screw	M6x6L	2
14	10172	Bushing		1
15	10176	Nut Cover		1
16	10175	Safety Nut		1
17	10177	Bolt		2
18	10174	Brass Nut		1
19	TS-1503051	Socket Head Cap Screw	M6x20L	4
20	10172	Bushing		1
21	TS-1523011	Set Screw	M6*6L	2
22	10166	Bearing Bracket		1
23	TS-1504051	Socket Head Cap Screw	M8x25L	4
24	BB-51104	Bearing	51104	1
25	BB-6204ZZ	Bearing	6204ZZ	1
26	M1503-M24	Nut	M24	1
28	TS-1503041	Socket Head Cap Screw	M6x16L	1
29	TS-1523041	Set Screw	M6x12L	1
30	10171	Nut		1
31	BB-6204ZZ	Bearing	6204ZZ	1
32	BB-51104	Bearing	51104	1
33	10168	Worm Shaft		1
33-1	M1312-S36	Retainer	S36	1
33-2	TS-2276081	Set Screw	M6x8L	1
34	M1328-5x55	Key	5mmx55L	1
35	10170	Pinion Shaft		1
36	10169	Gear Bracket		1
37	TS-1504051	Socket Head Cap Screw	M8x25L	4
38	BB-51104	Bearing	51104	1
39	BB-6204ZZ	Bearing	6204ZZ	1
40	M0702035	Oil Seal	TC30x45x8	1
41	M1210006	Motor	1HP, 220/380V, 50/60Hz	1
42	TS-1491031	Hex Cap Screw	M10x25L	4
43	M1401-M10x55	Socket Head Cap Screw	M10x55L	4
44	M1602-M10	Washer	M10	4
45	10178	Cover		1
46	M1414001	Bolt	3/16"x1/2"L	2
47	TS-1505041	Socket Head Cap Screw	M10x30L	4

Base, Column, and Arm Assemblies

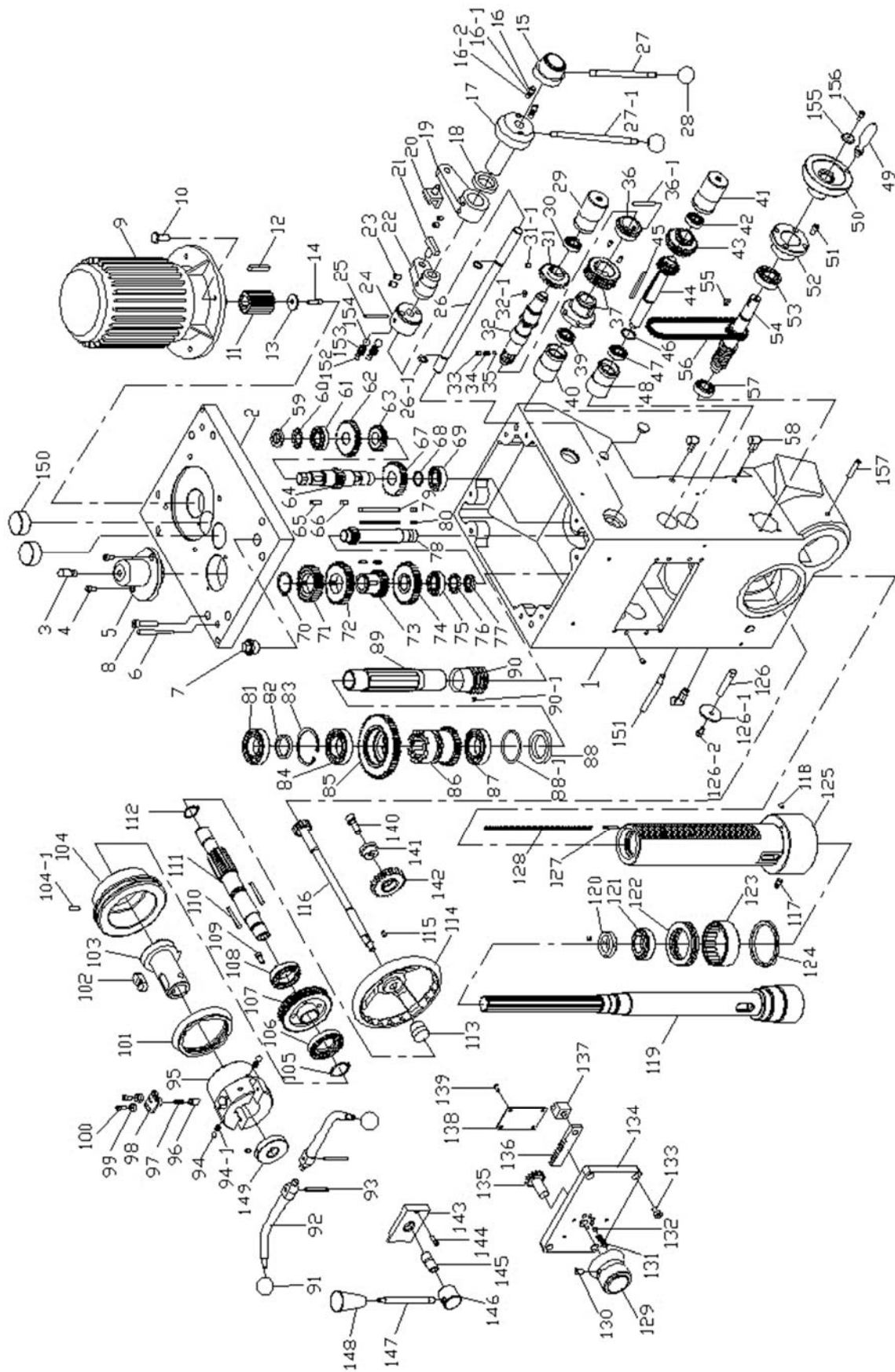


Parts List for Base, Column, and Arm Assemblies

Index No.	Part No.	Description	Size	Qty
1	J720R-301	Base		1
2	10039	Filter Screen		2
3	M1414006	Bolt	3/16" x 3/8"L	4
4	10037	Cover		1
5	M1414006	Bolt	3/16" x 3/8"L	2
6	TS-1491031	Hex Cap Screw	M10 x 25L	2
7	J720R-307	Washer		1
8	J720R-308	Bearing Cover		1
9	BB-51114	Bearing	51114	1
10	J720R-310	Column Support Collar		1
11	M1402002	Bolt	M16 x 90L	8
12	BB-51114	Bearing	51114	1
13	M0901-6214ZZ	Bearing	6214ZZ	1
14	10007	Bearing Cover		1
15	10009	Steel Band		1
16	J720R-316	Needle		45
17	10010	Steel Band		1
18	J720R-318	Column		1
19	J720R-319	Arm		1
20	TS-1503061	Socket Head Cap Screw	M6x25L	2
21	10027	Fixed Flange		1
22	10005	Steel Band		1
23	10029	Fixed Flange		1
24	TS-1503051	Socket Head Cap Screw	M6x20L	2
25	10032	Key		1
26	TS-1503071	Socket Head Cap Screw	M6x30L	2
27	M1414006	Bolt	3/16" x 3/8"L	4
28	10028	Aluminum Alloy Ring		1
29	M1501003	Nut	1/2"	2
30	10040	Washer		4
31	M1402009	Bolt	1/2" x 4-1/2"L	2
32	M1401-M6x65	Socket Head Cap Screw	M6 x 65L	1
33	10038	Eccentric Shaft		1
34	J720R-334	Nut		1
35	10041	Washer		1
36	10035	Locking Lever		1
37	M1323019	Oil Cup	PT1/8" x 90°	2
38	10028	Aluminum Alloy Ring		1
39	M1414006	Bolt	3/16" x 3/8"L	4
40	TS-1504071	Socket Head Cap Screw	M8 x 35L	1
41	J720R-341	Arm Rack		1
42	J720R-342	Stop Rack		1
43	TS-1504071	Socket Head Cap Screw	M8x35L	1
44	10033	Handle		1
45	5233331	Work Lamp	FS51441	1
45A	5233341	Lamp Seat		1
46	10034	Acrylic Cover		1
47	M1425001	Bolt	3/16" x 3/8"L	9
48	10008	Ring Clamp		1
49	TS-1503121	Socket Head Cap Screw	M6x55L	2
50	J720R-350	Nut		1
51	10041	Washer		1
52	10035	Locking Lever		1
53	M0809001	Dust Seal	5mm	1
54	M0809001	Dust Seal	5mm	1
55	M0809001	Dust Seal	5mm	2
56	TS-1504081	Socket Head Cap Screw	M8x40L	2
57	TS-1504031	Socket Head Cap Screw	M8x16L	2
58	TS-1524031	Set Screw	M8x12L	2

Index No.	Part No.	Description	Size	Qty
59	TS-1503051	Socket Head Cap Screw	M6x20L	1
60	TS-1505031	Socket Head Cap Screw	M10x25L	1
61	M1402011	Bolt	5/8" x 2-1/2"L	4
62	5233111	Nut	5/8"-11UNC	4
63	TS-1505021	Socket Head Cap Screw	M10 x 20L	4

Gear Box Assembly



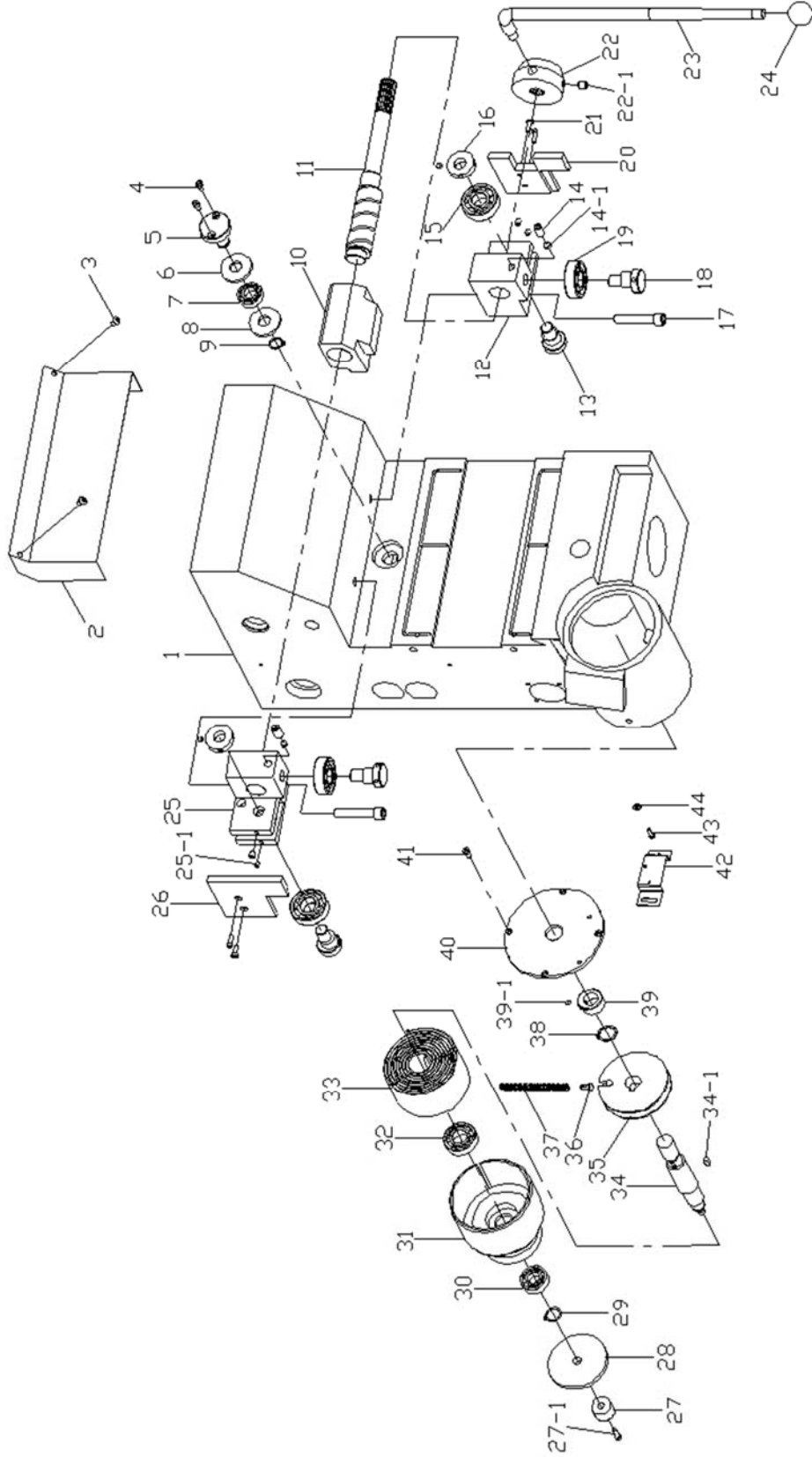
Parts List for Gear Box Assembly

Index No.	Part No.	Description	Size	Qty
1	10044	Gear Box		1
2	10045	Gear Box Cover		1
3	5234171	Oil Cup	PT1/8" x 3/4"	1
4	TS-1503031	Socket Head Cap Screw	M6x12L	2
5	10119	Spindle Cover		1
6	5234191	Taper Pin	#7 x 75L	2
7	M0604005	Fill Plug	PT1/2"	1
8	TS-1504081	Socket Head Cap Screw	M8 x 40L	8
9	M1210020	Motor	2HP, 220/380V, 50/60Hz, 4P	1
10	TS-1491031	Hex Cap Screw	M10x25L	4
11	5234441	Motor Gear		1
12	5234411	Key	8mm x 40L	1
13	5234451	Washer		1
14	TS-1503051	Socket Head Cap Screw	M6 x 20L	1
15	10071	Feed Speed Selector		1
16	M1403-M10x10	Set Screw	M10 x 10L	2
16-1	J720R-416	Spring		2
16-2	BB-5/16	Steel Ball	5/16"	2
17	10069	Three Step Speed Change Lever Adapter		1
18	5234661	Oil Seal	TC30 x 45 x 8	1
19	10067	Speed Change Rocker Arm		1
20	5234681	Copper Block		1
21	5234711	Copper Block		1
22	5234721	Speed Change Rocker Arm		1
23	TS-1524031	Set Screw	M8 x 12L	4
24	10073	Shaft End Cover		1
25	M1305-5x50	Spring Pin	5mm x 50L	2
26	10064	Speed Change Shaft		1
26-1	5234741	O-Ring	P12	2
27	10072	Three Step Speed Change Lever		1
27-1	10070	Three Step Speed Change Lever		1
28	M1317009	Plastic Knob	5/16"	2
29	10079	Bushing		1
30	BB-6002ZZ	Bearing	6002ZZ	1
31	5234921	Gear		1
31-1	TS-1523021	Set Screw	M6 x 8L	1
32	10074	Gear Shaft		1
32-1	5234881	Key	5mm x 12L	1
33	M1403-M10x8	Set Screw	M10 x 8L	1
34	5234781	Spring		1
35	SB-5/16	Steel Ball	5/16"	1
36	5234851	Gear		1
36-1	M1305-5x40	Spring Pin	5mm x 40L	1
37	J720R-437	Worm Gear with Sleeve		1
39	BB-6002ZZ	Bearing	6002ZZ	1
40	10082	Bushing		1
41	10079	Bushing		1
42	BB-6002ZZ	Bearing	6002ZZ	1
43	5234771	Gear		1
44	10080	Gear Shaft		1
45	M1328-5x65	Key	5mm x 65L	1
46	M1312-S22	Retainer	S22	1
47	BB-6002ZZ	Bearing	6002ZZ	1
48	10082	Bushing		1
49	M1317004	Handle	3/8"	1
50	10085	Manual Feed Handwheel		1
51	TS-1503031	Socket Head Cap Screw	M6 x 12L	4
52	10084	Bushing		1
53	BB-6204ZZ	Bearing	6204ZZ	1

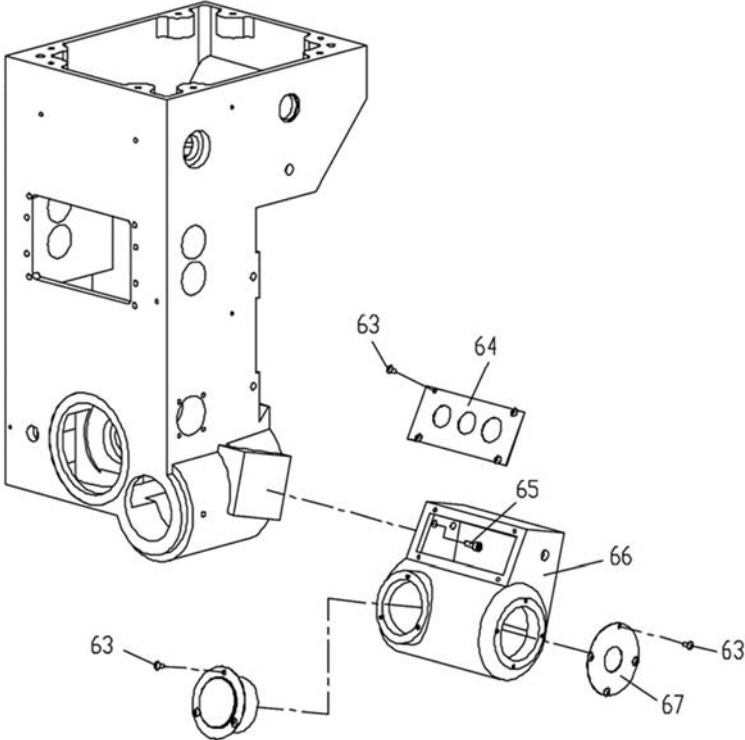
Index No.	Part No.	Description	Size	Qty
54	10083	Sprocket		1
55	M1328-6x12	Key	6mm x 12L	1
56	M1204005	Chain	25H x 70	2
57	BB-6002ZZ	Bearing	6002ZZ	1
58	M1323019	Oil Cup	PT1/8" x 90°	3
59	5234481	Lock Nut		1
60	5234491	Crown Washer	AW04	1
61	BB-6004ZZ	Bearing	6004ZZ	1
62	5234521	Gear		1
63	5234531	Gear		1
64	5234561	Gear Shaft		1
65	5234551	Key	7mm x 20L	1
66	5234571	Key	7mm x 12L	1
67	5234581	Gear		1
68	5234591	Retainer	S22	1
69	BB-6004ZZ	Bearing	6004ZZ	1
70	5234341	Retainer	S35	1
71	5234331	Gear		1
72	5234321	Gear		1
73	5234311	Gear		1
74	5234281	Gear		1
75	BB-6004ZZ	Bearing	6004ZZ	1
76	5234491	Crown Washer	AW04	1
77	5234251	Lock Nut		1
78	5234361	Gear Shaft		1
79	5234371	Key	6mm x 85L	2
80	5234351	Key	6mm x 10L	2
81	BB-6007ZZ	Bearing	6007ZZ	1
82	10061	Washer		1
83	5234131	Retainer	R62	1
84	BB-6007ZZ	Bearing	6007ZZ	1
85	5234111	Clutch Upper Gear		1
86	5234091	Clutch Lower Gear		1
87	5234141	Bearing	6007UU	1
88	5234071	Oil Seal	TC42*58*8	1
88-1	5234081	O-Ring	P30	1
89	5234231	Spindle Shaft		1
90	5234061	Worm		1
90-1	TS-1523011	Set Screw	M6x6L	1
91	M1317009	Plastic Knob	5/16"	1
92	J720R-492	Feed Handle		2
93	M1305-5x50	Spring Pin	5mm x 50L	2
94	SB-3/8	Steel Ball	3/8"	2
94-1	10680	Spring		2
95	10099	Clutch Housing		1
96	J720R-496	Cotter Pin		1
97	10125	Spring		1
98	10100	Stop Cotter		1
99	10118	Screw Cover		2
100	M1401-M5x14	Socket Head Cap Screw	M5 x 14L	2
101	10098	Dial		1
102	10095	Key		1
103	10094	Clutch Upper Gear		1
104	J720R-4104	Dial Seat		1
104-1	M1301-8x20	Pin	8mm x 20L	1
105	M1312-S30	Retainer	S30	1
106	10093	Clutch		1
107	10092	Worm Gear		1
108	BB-6006ZZ	Bearing	6006ZZ	1
109	M1401-M6x14	Socket Head Cap Screw	M6 x 14L	4
110	M1328-6x50	Key	6mm x 50L	2
111	10091	Gear Shaft		1

Index No.	Part No.	Description	Size	Qty
112	M1312-S24	Retainer	S24	1
113	J720R-4113	Handwheel Lock Nut		1
114	J720R-4114	Handwheel		1
115	M1328-5x12	Key	5mm x 12L	1
116	J720R-4116	Pinion Shaft		1
117	M1321002	Grease Nipple	PT1/8"	1
118	TS-1523021	Set Screw	M6 x 8L	1
119	10089	Spindle		1
120	J-10090	Lock Nut		1
121	BB-32006	Bearing	32006	1
123	RNA4911	Bearing	RNA4911	1
124	10088	Nut		1
125	J720R-4125	Quill		1
126	10087	Copper Key		1
126-1	10123	Washer		1
126-2	TS-1503031	Socket Head Cap Screw	M6 x 12L	1
127	10063	Set Screw		1
128	M1204003	Chain	25H x 94	1
129	5233871	Feed Speed Selector		1
130	M1403-M10x16	Set Screw	M10 x 16L	1
131	J720R-4131	Spring		1
132	SB-5/16	Steel Ball	5/16"	1
133	TS-1504031	Socket Head Cap Screw	M8 x 16L	4
134	10112	Gear Box Front Cover		1
135	5233911	Feed Speed Change Gear		1
136	5233821	Arm Rack		1
137	10115	Gear Shift Lever		1
138	J720R-4138	Plate		1
139	M1414006	Bolt	3/16" x 3/8"L	4
140	TS-1505041	Socket Head Cap Screw	M10 x 30L	1
141	10108	Eccentric Bushing		1
142	J720R-4142	Gear		1
143	10109	Set Block		1
144	TS-1502041	Socket Head Cap Screw	M5 x 16L	1
145	10110	Lock Screw		1
146	10111	Nut		1
147	10072	Three Step Speed Change Lever		1
148	M1317005	Knob	5/16"	1
149	J720R-4149	Nut		1
150	10121	Gasket		2
151	10122	Fixed Lock		1
152	M1403-M10x10	Set Screw		2
153	J720R-4153	Spring		2
154	M1323025	Steel Ball		2
155	10047	Washer		1
156	TS-1503031	Socket Head Cap Screw	M6 x 12	1
157	TS-1504081	Socket Head Cap Screw	M8 x 40L	1
158	10127	Copper Ball		1
159	M1403-M6x10	Set Screw	M6 x 10L	1
160	M1323021	Fuel Level Gage		1

Rear Gear Box Assembly I



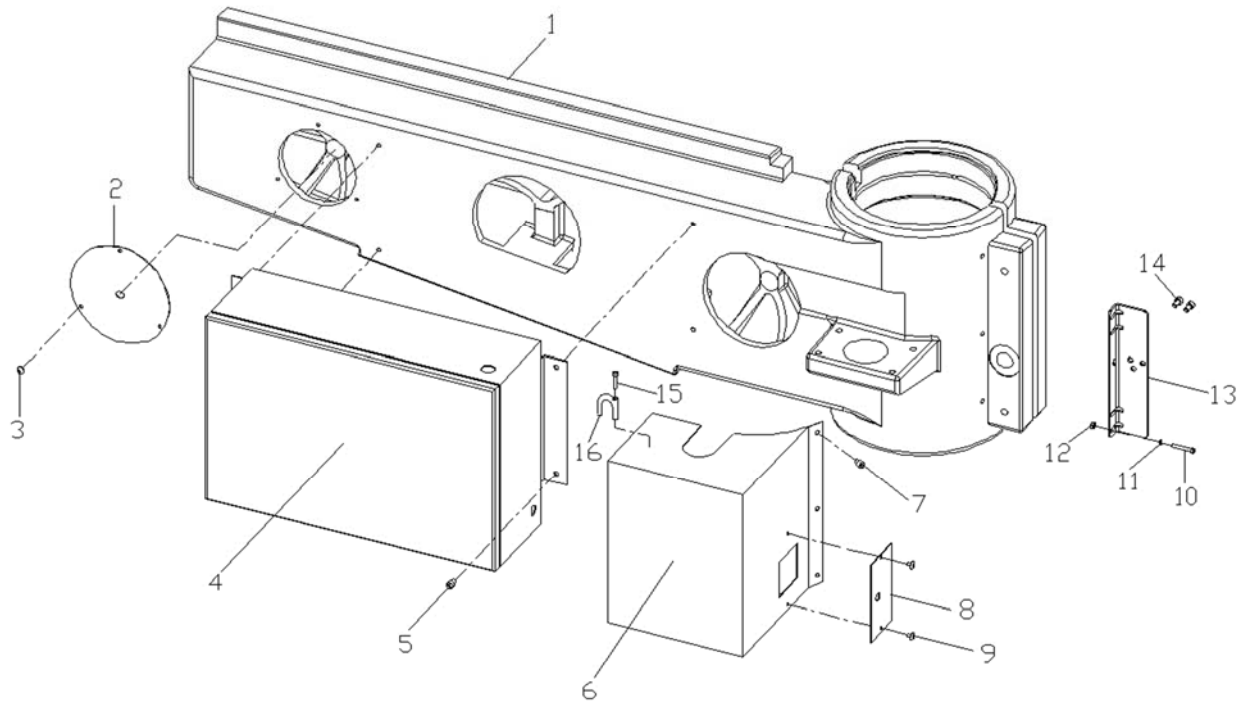
Rear Gear Box Assembly II



Parts List for Rear Gear Box Assembly

Index No.	Part No.	Description	Size	Qty
1	10044	Gear Box		1
2	10128	Guard		1
3	TS-1534032	Phillips Pan Head Machine Screw	M6 x 10L	2
4	TS-1502021	Socket Head Cap Screw	M5 x 10L	2
5	10129	Shaft		1
6	10130	Washer		1
7	BB-6002ZZ	Bearing	6002ZZ	1
8	10130	Washer		1
9	M1312-S15	Retainer	S15	1
10	10147	Cam Shaft Sleeve		1
11	10148	Clamping Cam Shaft		1
12	10134	Bearing Bracket		1
13	10133	Eccentric Shaft		2
14	TS-1525041	Set Screw	M10 x 20L	2
14-1	10153	Copper Ball		2
15	BB-6204ZZ	Bearing	6204ZZ	2
16	10132	Adjusting Washer		2
17	M1401-M10x55	Socket Head Cap Screw	M10 x 55L	2
18	10135	Eccentric Shaft		2
19	BB-6204ZZ	Bearing	6204ZZ	2
20	10136	Plate		1
21	M1414001	Bolt	3/16" x 1/2"L	4
22	10149	Feed Speed Selector		1
22-1	TS-1524021	Set Screw	M8 x 10L	1
23	10150	Clamping Lever		1
24	M1317007	Knob	1/2"	1
25	10131	Bearing Bracket		1
25-1	TS-1523021	Set Screw	M6 x 8L	4
26	10137	Plate		1
27	10145	Handwheel Lock Nut		1
27-1	TS-1503041	Socket Head Cap Screw	M6 x 16L	1
28	10143	Auxiliary Dial		1
29	M1312-S17	Retainer	S17	1
30	BB-6003ZZ	Bearing	6003ZZ	1
31	10140	Spring Housing		1
32	BB-6004ZZ	Bearing	6004ZZ	1
33	10139	Spring		1
34	10141	Shaft		1
34-1	M1328-5x12	Key	5mm x 12L	1
35	10138	Pulley		1
36	10154	Adapter of Chain		1
37	M1204003	Chain	25H x 94	1
38	M1312-S20	Retainer	S20	1
39	10151	Cam		1
39-1	M1403-M6x6	Set Screw	M6 x 6L	1
40	10142	Cover		1
41	M1414006	Bolt	3/16" x 3/8"L	4
42	10152	Mounting Plate		1
43	M1414010	Bolt	5/32" x 5/8"L	2
44	M1501007	Nut	5/32"	2
63	M1414006	Bolt	3-3/16" x 3/8"L	11
64	10726	Switch Plate		1
65	TS-1503041	Socket Head Cap Screw	M6 x 16L	2
66	10146	Switch Box		1
67	10725	Switch Plate		1

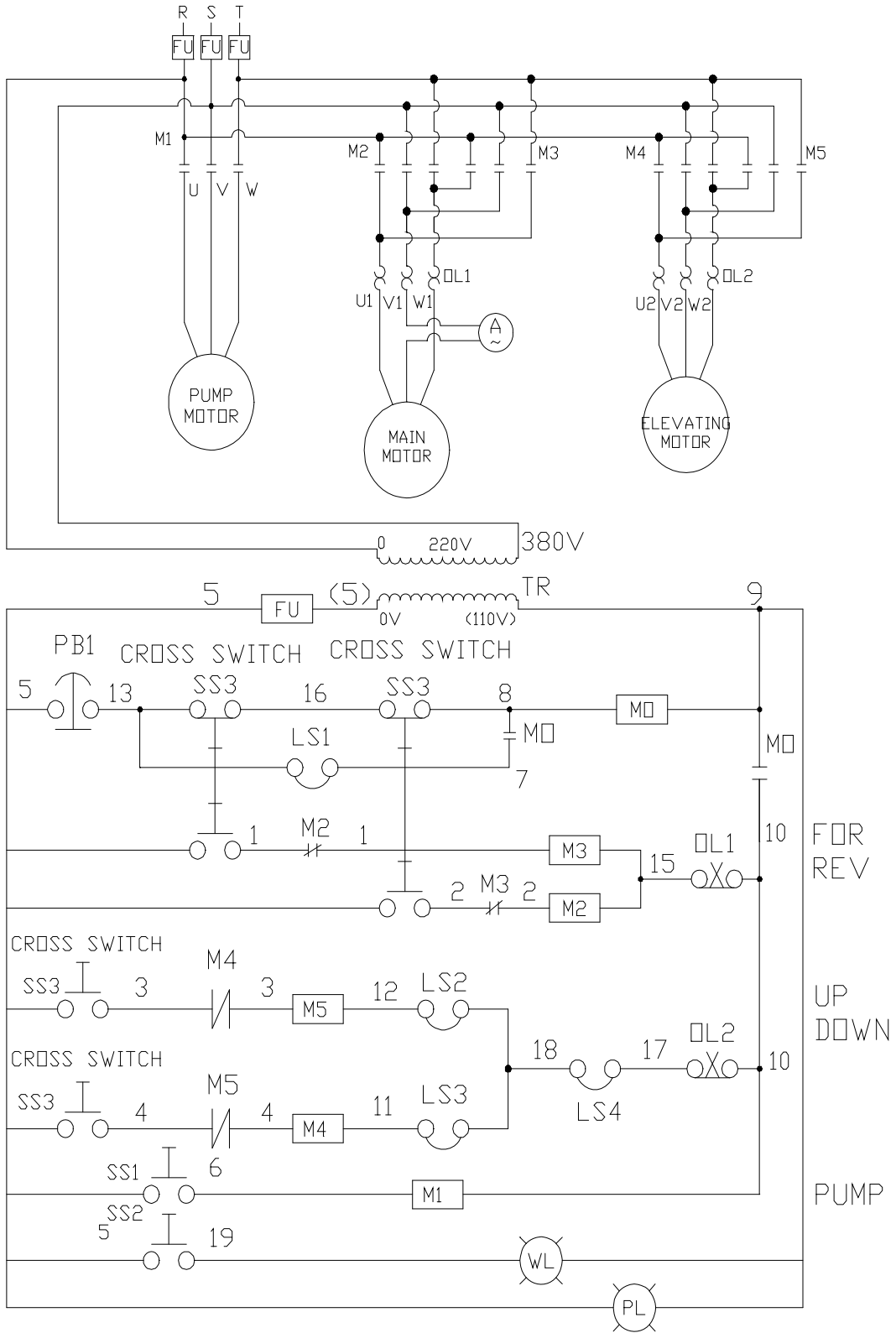
Electrical Box



Parts List for Electrical Box

Index No.	Part No.	Description	Size	Qty
1	10030	Arm		1
2	10156	Cover		1
3	M1414002	Bolt	3/16" x 1/4"L	3
4	10161	Electric Control Box		1
5	TS-1503021	Socket Head Cap Screw	M6 x 10L	4
6	10157	Cover		1
7	TS-1503021	Socket Head Cap Screw	M6 x 10L	4
8	10158	Mounting Plate		1
9	M1414002	Bolt	3/16" x 1/4"L	2
10	M1414009	Bolt	5/32" x 1-1/4"L	4
11	M1602037	Washer	5/32"	4
12	M1501007	Nut	5/32"	4
13	10159	Mounting Plate		1
14	TS-1503031	Socket Head Cap Screw	M6 x 12L	2
15	M1414003	Bolt	3/16" x 1-1/4"	2
16	M1315028	Cable Holder		2

720R Electrical Connections



Parts List for 720R Electrical Connections

Symbol	Part No.	Description	Size	Qty
M1	E0701006	Magnetic Contact	CN11 3a1b 110V	1
M2	E0701006	Magnetic Contact	CN11 3a1b 110V	1
M3	E0701006	Magnetic Contact	CN11 3a1b 110V	1
M4	E0701006	Magnetic Contact	CN11 3a1b 110V	1
M5	E0701006	Magnetic Contact	CN11 3a1b 110V	1
M0	E0701006	Magnetic Contact	CN11 3a1b 110V	1
FU	E2802003	Fuse Seat	3P	1
FU	E2802013	Fuse Seat	1P	2
FU	E3101016	Fuse	5A	2
FU	E3101014	Fuse	30A	3
TR	E1801005	Transformer	PT40	1
OL1	E0207011	Overload Relay (230V)	RH 18/7	1
OL1	E0207007	Overload Relay (460V)	RH 18/4	1
OL2	E0207007	Overload Relay (230V)	RH 18/4	1
OL2	E0207008	Overload Relay (460V)	RH 18/1.7	1
PB1	E1618001	Emergency Push Button Switch	SBT-307	1
SS1	E1304001	Selector Switch	ST251	1
SS2	E1604001	Selector Switch	SN1021	1
SS3	5231981	Cross Switch		1
LS1	E0901021	Limit Switch	V-15-1E5	1
LS2	E0901014	Limit Switch	MJ2-1308	1
LS3	E0901014	Limit Switch	MJ2-1308	1
LS4	E0901014	Limit Switch	MJ2-1308	1
WL	E1701002	Work Lamp	FS51441	1
PL	E2303002	Pilot Light	SP-251 110V	1
Ã	E3602002	Amp Meter (230V)	S065 20A	1
Ã	E3602003	Amp Meter (460V)	S065 10A	1



WALTER MEIER (Manufacturing) Inc.

427 New Sanford Road
LaVergne, Tennessee 37086
Phone: 800-274-6848
www.waltermeier.com