

POWERMATIC®

Instructions and Parts Manual PM1900TX Dust Collector

Now with 



PM1900TX with Filter Bag Kit (1792071K)



PM1900TX with Canister Kit (1792072K)



Powermatic
427 New Sanford Road
LaVergne, TN 37086
Ph.: 800-274-6848
www.powermatic.com

Part No. M-1792071
Revision A4 02/2014
Copyright © 2014 Powermatic

Warranty and Service

Powermatic warrants every product it sells against manufacturers' defects. If one of our tools needs service or repair, please contact Technical Service by calling 1-800-274-6846, 8AM to 5PM CST, Monday through Friday.

Warranty Period

The general warranty lasts for the time period specified in the literature included with your product or on the official Powermatic branded website.

- Powermatic products carry a limited warranty which varies in duration based upon the product. (See chart below)
- Accessories carry a limited warranty of one year from the date of receipt.
- Consumable items are defined as expendable parts or accessories expected to become inoperable within a reasonable amount of use and are covered by a 90 day limited warranty against manufacturer's defects.

Who is Covered

This warranty covers only the initial purchaser of the product from the date of delivery.

What is Covered

This warranty covers any defects in workmanship or materials subject to the limitations stated below. This warranty does not cover failures due directly or indirectly to misuse, abuse, negligence or accidents, normal wear-and-tear, improper repair, alterations or lack of maintenance.

Warranty Limitations

Woodworking products with a Five Year Warranty that are used for commercial or industrial purposes default to a Two Year Warranty. Please contact Technical Service at 1-800-274-6846 for further clarification.

How to Get Technical Support

Please contact Technical Service by calling 1-800-274-6846. **Please note that you will be asked to provide proof of initial purchase when calling.** If a product requires further inspection, the Technical Service representative will explain and assist with any additional action needed. Powermatic has Authorized Service Centers located throughout the United States. For the name of an Authorized Service Center in your area call 1-800-274-6846 or use the Service Center Locator on the Powermatic website.

More Information

Powermatic is constantly adding new products. For complete, up-to-date product information, check with your local distributor or visit the Powermatic website.

How State Law Applies

This warranty gives you specific legal rights, subject to applicable state law.

Limitations on This Warranty

POWERMATIC LIMITS ALL IMPLIED WARRANTIES TO THE PERIOD OF THE LIMITED WARRANTY FOR EACH PRODUCT. EXCEPT AS STATED HEREIN, ANY IMPLIED WARRANTIES OF MERCHANTABILITY AND FITNESS FOR A PARTICULAR PURPOSE ARE EXCLUDED. SOME STATES DO NOT ALLOW LIMITATIONS ON HOW LONG AN IMPLIED WARRANTY LASTS, SO THE ABOVE LIMITATION MAY NOT APPLY TO YOU.

POWERMATIC SHALL IN NO EVENT BE LIABLE FOR DEATH, INJURIES TO PERSONS OR PROPERTY, OR FOR INCIDENTAL, CONTINGENT, SPECIAL, OR CONSEQUENTIAL DAMAGES ARISING FROM THE USE OF OUR PRODUCTS. SOME STATES DO NOT ALLOW THE EXCLUSION OR LIMITATION OF INCIDENTAL OR CONSEQUENTIAL DAMAGES, SO THE ABOVE LIMITATION OR EXCLUSION MAY NOT APPLY TO YOU.

Powermatic sells through distributors only. The specifications listed in Powermatic printed materials and on the official Powermatic website are given as general information and are not binding. Powermatic reserves the right to effect at any time, without prior notice, those alterations to parts, fittings, and accessory equipment which they may deem necessary for any reason whatsoever.

Product Listing with Warranty Period

90 Days – Parts; Consumable items
1 Year – Motors, Machine Accessories
2 Year – Woodworking Machinery used for industrial or commercial purposes
5 Year – Woodworking Machinery

NOTE: Powermatic is a division of JPW Industries, Inc. References in this document to Powermatic also apply to JPW Industries, Inc., or any of its successors in interest to the Powermatic brand.

Table of Contents

Warranty and Service	2
Table of Contents	3
Warning.....	4
Introduction	6
Specifications	6
Unpacking	7
Contents of Shipping Carton	7
Base Machine Assembly.....	8
Base and Base Extensions.....	8
Casters	8
Motor and Impeller Assembly	8
Connector Tube and Switch Box	8
Collector Housings	8
Support Bars.....	8
Handles	9
Cone Installation	9
Filter System.....	9
Filter Bag System Assembly	10
Canister System Assembly	11
Electrical Connections	12
Extension Cords.....	12
Operating the Machine	12
Setting the Timer (1-Phase Models)	13
Connecting the Dust Collector to a Machine	13
Maintenance.....	13
Cleaning the Filter Bags	13
Removing the Collector Bags	13
Cleaning the Canister Filters	13
Motor	13
Replacement Parts	14
Breakdown for PM1900TX Dust Collector (Base Machine)	14
Parts List for PM1900TX Dust Collector (Base Machine)	15
Parts List and Breakdown for PM1900TX Filter Bag System.....	17
Breakdown for PM1900TX Canister Filter System	18
Parts List for PM1900TX Canister Filter System	19
Electrical Connections	20

Warnings

1. Read and understand the entire owner's manual before attempting assembly or operation.
2. Read and understand the warnings posted on the machine and in this manual. Failure to comply with all of these warnings may cause serious injury.
3. Replace the warning labels if they become obscured or removed.
4. This dust collector is designed and intended for use by properly trained and experienced personnel only. If you are not familiar with the proper and safe operation of a dust collector, do not use until proper training and knowledge have been obtained.
5. Do not use this dust collector for other than its intended use. If used for other purposes, Powermatic disclaims any real or implied warranty and holds itself harmless from any injury that may result from that use.
6. Always wear approved safety glasses/face shields while using this dust collector. Everyday eyeglasses only have impact resistant lenses; they are not safety glasses.
7. Keep hair, loose clothing, fingers, and all parts of body away from opening and moving parts.
8. Wear ear protectors (plugs or muffs) during extended periods of operation.
9. Some dust created by power sanding, sawing, grinding, drilling and other construction activities contains chemicals known to cause cancer, birth defects or other reproductive harm. Some examples of these chemicals are:
 - Lead from lead based paint.
 - Crystalline silica from bricks, cement and other masonry products.
 - Arsenic and chromium from chemically treated lumber.

Your risk of exposure varies, depending on how often you do this type of work. To reduce your exposure to these chemicals, work in a well-ventilated area and work with approved safety equipment, such as face or dust masks that are specifically designed to filter out microscopic particles.
10. Do not operate this machine while tired or under the influence of drugs, alcohol or any medication.
11. Make certain the switch is in the **OFF** position before connecting the machine to the power supply. Turn off all controls before unplugging.
12. Make certain the machine is properly grounded. Connect to a properly grounded outlet only.
13. Make all machine adjustments or maintenance with the machine unplugged from the power source.
14. Remove adjusting keys and wrenches. Form a habit of checking to see that keys and adjusting wrenches are removed from the machine before turning it on.
15. Keep safety guards in place at all times when the machine is in use. If removed for maintenance purposes, use extreme caution and replace the guards immediately after maintenance is complete.
16. Check damaged parts. Before further use of the machine, a guard or other part that is damaged should be carefully checked to determine that it will operate properly and perform its intended function. Check for alignment of moving parts, binding of moving parts, breakage of parts, mounting and any other conditions that may affect its operation. A guard or other part that is damaged should be properly repaired or replaced.
17. Provide for adequate space surrounding work area and non-glare, overhead lighting.
18. Keep the floor around the machine clean and free of scrap material, oil and grease.
19. Keep visitors a safe distance from the work area. **Keep children away.**

Warnings

20. Make your workshop child proof with padlocks, master switches or by removing starter keys.
21. Give your work undivided attention. Looking around, carrying on a conversation and “horse-play” are careless acts that can result in serious injury.
22. To reduce the risk of electric shock, do not use outdoors or on wet surfaces.
23. Do not use the dust collector for anything except wood dust. Materials such as liquids, metal shavings, metal dust, screws, glass, plastic or rock can cause sparks and/or damage when coming into contact with any part of the dust collector.
24. Do not pick up anything that is burning or smoking, such as cigarettes, matches or hot ashes.
25. Do not use to pick up flammable or combustible liquids such as gasoline or use in areas where they may be present.
26. Do not pull or carry by cord, use cord as a handle, close a door on cord, or pull cord around sharp edges or corners. Do not run dust collector over cord. Keep cord away from heated surfaces.
27. Do not use this dust collector with a damaged cord or plug.
28. Do not unplug by pulling on cord. To unplug, grasp the plug, not the cord.
29. Do not use without dust bag and/or filters in place.
30. Do not handle plug or machine with wet hands.
31. Do not put any objects into the openings. Do not use with any opening blocked; keep free of dust, lint, hair, and anything that may reduce air flow.
32. Do not operate without hose connected to the inlet. Hazardous moving parts inside. Unplug before removing inlet or inlet guard.
33. Use recommended accessories; improper accessories may be hazardous.
34. Maintain tools with care. Follow instructions for lubricating and changing accessories.
35. Turn off the machine and disconnect from power before cleaning. Use a brush or compressed air to remove chips or debris — do not use your hands.
36. Do not leave the machine when it is plugged in. Unplug from outlet when not in use and before servicing.
37. Do not stand on the machine. Serious injury could occur if the machine tips over.

Familiarize yourself with the following safety notices used in this manual:

CAUTION This means that if precautions are not heeded, it may result in minor injury and/or possible machine damage.

WARNING This means that if precautions are not heeded, it may result in serious injury or possibly even death.

- - SAVE THESE INSTRUCTIONS - -

Introduction

This manual is provided by Powermatic covering the safe operation and maintenance procedures for a Powermatic Model PM1900TX Dust Collector. This manual contains instructions on installation, safety precautions, general operating procedures, maintenance instructions and parts breakdown. This machine has been designed and constructed to provide years of trouble free operation if used in accordance with instructions set forth in this manual. If there are any questions or comments, please contact your local supplier or Powermatic; or visit our web site: www.powermatic.com.

Specifications

Model	PM1900TX
Stock Numbers:	
PM1900TX (Base Machine A), includes 3HP, 1PH Motor, Remote Control and Mag. Starter	1792071
PM1900TX (Base Machine B), includes 3HP, 3PH Motor, 230V/460V, (Pre-wired 230V)	1792073
PM1900TX (Base Machine A) with Filter Bag System	1792071K
PM1900TX (Base Machine A) with Canister Filter System	1792072K
PM1900TX (Base Machine B) with Filter Bag System	1792073K
PM1900TX (Base Machine B) with Canister Filter System	1792074K
Filter Bag System only.....	1791075B
Canister Filter System only.....	1791086
Blower Wheel Diameter	14"
Sound Rating at 3 feet.....	86-92 db
Inlet Port Diameter (in.).....	three at 4" or one at 8"
Air Flow at 8" – Base Machine A and B (CFM)	1891
Velocity at 8" – Base Machine A and B (FPM).....	5393.7
Static Pressure (inch of water)	12.15
Bags and Canister Diameter (in.)	20
Filter Bag Length (in.)	48
Filter Bag Efficiency	96% of 30 micron particles
Canister Length (in.)	26
Canister Efficiency	86% of 1 micron particles; 98% of 2 micron particles
Collector Bag Capacity (cu. ft.)	10
Remote Control Type (<i>1PH unit only</i>).....	infrared
Overall Dimensions with Filter Bag System (LxWxH)(in.)	61 x 30 x 94
Overall Dimensions with Canister System (LxWxH)(in.)	61 x 30 x 72
Motor (TEFC)	3 HP, 1Ph 230V only or 3 HP, 3Ph, 230V/460V, Pre-wired 230V
Approximate Weight (net/shipping):	
PM1900TX with Filter Bag System (lbs.)	211/215
PM1900TX with Canister System (lbs.)	268/272

The above specifications were current at the time this manual was published, but because of our policy of continuous improvement, Powermatic reserves the right to change specifications at any time and without prior notice, without incurring obligations.

Unpacking

Remove all contents from the shipping carton and check against the *Contents of Shipping Carton* below to verify that all items have been received.

Report any damage to your distributor.

Do not discard any shipping material until after the dust collector has been assembled and is running properly.

You will also require either the *Filter Bag System* or *Canister Filter System*. These items are packaged separately and are not listed here.

Contents of Shipping Carton

Refer to Figure 3 to identify items K–Z.

- K Base (1)
- L Base Extension (2)
- M Caster (4)
- N Motor/Impeller Assembly (1)
- O Inlet Guard (1)
- P Inlet Port w/ Cap (1)
- Q Lower Gasket (1)
- R Connector Tube (1)
- S Control Box (1)
- T Upper Gasket (2)
- U Left Housing (1)
- V Right Housing (1)
- W Support Bar (2)
- X Handle (2)
- Y Plate (2)
- Z Socket Head Cap Screw, M8x12 (4)
- Remote Control w/ batteries (*single phase machine only*) (not shown)
- Owner's Manual (not shown)
- Warranty Card (not shown)

Main Hardware Bag contents (Figure 1):

- A – M8 x 20 Hex Cap Screws (34)*
- B – M6 x 12 Pan Head Flange Screws (8)*
- C – 3/16" x 1/2" Pan Head Flange Screw (1)*
- D – M8 Flat Washers (60)*
- E – M10 Flat Washers (6)*
- F – M8 Hex Nuts (30)*
- G – M8 Lock Washers (4)*
- H – 3/8" Hex Nuts (4) – *on casters*
- J – M10 Lock Washers (4) – *on casters*

Cone Assembly and Hardware (Figure 2):

- AA – Support Bracket
- BB – Cone
- CC – M8 x 16 Hex Cap Screws (2)
- DD – M8 Flat Washers (2)
- EE – M8 Hex Nuts (2)
- FF – M 6 x 12 Hex Cap Screws (8)
- GG – M6 Hex Nuts (8)

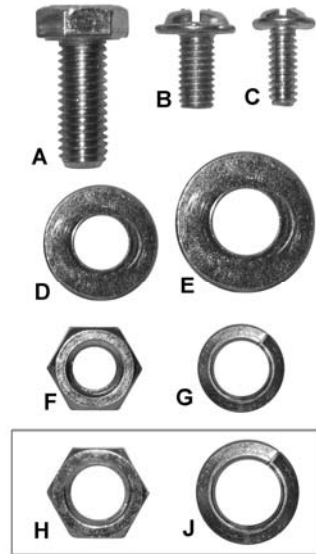


Figure 1: Main Hardware Bag contents

* A through G comprise PM1900-BMHP Base Machine Hardware Package

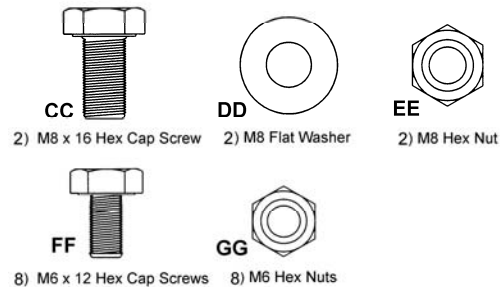
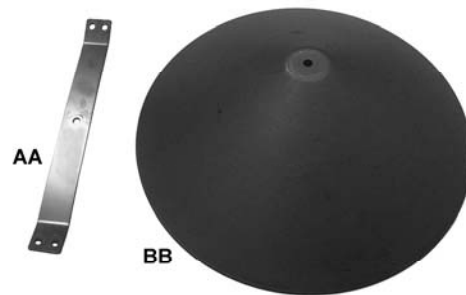


Figure 2: Cone Assembly and Hardware

CC through GG comprise DC1100-HP2 Cone Assembly Hardware Package

Tools Required for Assembly

- 13mm Wrenches or Sockets
- 14mm Wrench
- #2 Cross Point Screw Driver
- 6mm hex ("Allen") wrench

Base Machine Assembly

⚠WARNING The dust collector must not be connected to the power source during assembly.

All instructions on this page refer to Figure 3.

Base and Base Extensions

1. Attach the *base extensions* (L) to the *base* (K) by inserting *M8x20 hex head screws* (A) through the mounting holes of the *extension* (L) and *base* (K).
2. Place *M8 flat washers* (D) and *M8 lock washers* (G) on the ends of the *screws* (A) and fasten with *M8 hex nuts* (F), using 13mm wrenches.

Casters

1. The 3/8" *hex nut* (H) and *M10 lock washer* (J) are pre-assembled to each *caster* (M). For shipping purposes, the lock washer has been placed beneath the hex nut. Remove hex nut and lock washer from the *caster shaft*, re-install the hex nut, then install the lock washer *above* the hex nut, as shown.
2. Install the four *casters* (M) to the underside of the *base* (K) as follows:
3. Thread the *caster shaft* into the threaded hole on the underside of the *base* (K), turn until snug. Tighten the *hex nut* (H) against the base with a 14mm wrench.

Motor and Impeller Assembly

1. Place the base with casters down on the ground.
2. Attach the *motor and impeller assembly* (N) to the *base* (K) using six *M8x20 hex cap screws* (A), and six *M10 flat washers* (E). Hand tighten only until all screws and washers are in place, then tighten all six screws with a 13mm wrench.
3. Attach the *inlet guard* (O) to *impeller housing* (N) using eight *M6x12 pan head flange screws* (B).
4. Press the *inlet port* (P) onto the *inlet guard* (O) until it snaps into place. Secure in place with 3/16" x 1/2" *pan head flange screw* (C).

⚠WARNING To reduce the risk of injury from moving parts, always keep inlet port (P) covered with the caps provided, if they are not connected to a hose.

Connector Tube and Switch Box

1. Place the *lower gasket* (Q) on the *impeller housing* (N). Line up the rubber pegs on the gasket (face down) with the holes in the housing.
2. Place the *connector tube* (R) on the *impeller housing* (N), making sure that the holes of the mating flanges are aligned.

Note: Refer to Figure 3 to make sure that the connector tube is facing the proper direction.

3. Insert an *M8x20 hex cap screw* (A), through the *M8 washer* (D) and flanges of the *connector tube* (R) and *impeller housing* (N).
4. Place another *washer* (D) and a *hex nut* (F) on the protruding end of the *screw* (A) and hand-tighten only.
5. Mount the *control box* (S) to the two holes at the front of the *connector tube* flange (R).
6. Repeat steps 3 and 4 for the remaining screw locations, hand tightening only.
7. Tighten all hex nuts with a 13mm wrench.

Collector Housings

Mount the *right collector housing* (V) as follows:

1. Place an *upper gasket* (T) between the *collector housing* (V) and *connector tube* (R). Line up the pegs on the *gasket* (T) with the holes in the *housing* (V).
2. Place the *collector housing* (V) on the *connector tube* (R). Make sure to properly orient the collector housing – the internal baffle must slope downwards toward the center.
3. Insert a *screw* (A) through the *washer* (D), *connector tube flange* (R), and *collector-housing flange* (V).
4. Place another *washer* (D) and a *hex nut* (F) on the protruding end of the *screw* (A) and hand-tighten.
5. Repeat steps 1 through 4 for the seven remaining screw locations.
6. Tighten all screws and hex nuts with a 13mm wrench.
7. Repeat steps 1 through 6 for the *left collector housing* (U).

Support Bars

1. Align the bottom slots of a *support bar* (W) with the holes in the *base* (K). Insert two *screws* (A) with two *flat washers* (D) and hand tighten only.
Note: If you are using the Canister Filter System, proceed with steps 2 through 5 below. If you are using the Filter Bag System, leave the support bar (W) as is, for further assembly later, and proceed to "Handles".
2. Align the top holes of the *support bar* (W) with the holes at the rear of the *collector housing* (V) and insert two *screws* (A) and two *flat washers* (D).
3. Place a *washer* (D) and a *hex nut* (F) on the protruding end of each *screw* (A) inside the collector housing, and hand-tighten only.
4. Adjust the lower part of the *support bar* (W) as needed using its slots, until it is straight. Then tighten all four screws on the *support bar* (W).
5. Repeat for the other support bar.

Handles

1. Remove the *plate* (Y) from the *handle* (X) by loosening the two *socket head cap screws* (Z) with a 6mm hex wrench.
2. Install *handle* (X) to the holes in the *collector housing* (U) by inserting the socket head cap screws through the handle, the collector housing, and into the plate on the opposite side. Tighten the screws.

Note: Make sure the *plate* (Y) is oriented properly, as shown in the Detail in Figure 3: The protrusions on the plate should face away from the handle.

3. Install the other three handles in like manner. (Two handles for each housing.)

Cone Installation

Install the cone assembly as shown in Figure 3a.

1. Mount the cone support bracket (AA) to the housing with four M6x12 hex cap screws (FF) and tighten from beneath with four M6 hex nuts (GG).
2. Install the cone (BB) from beneath using the M8x16 hex cap screw (CC), M8 flat washer (DD) and M8 hex nut (EE).

Filter System

If your PM1900TX Dust Collection system includes filter bags, proceed to *Filter Bag System Assembly* on page 10.

If your PM1900TX Dust Collection system includes the canister kit, proceed to *Canister System Assembly* on page 11.

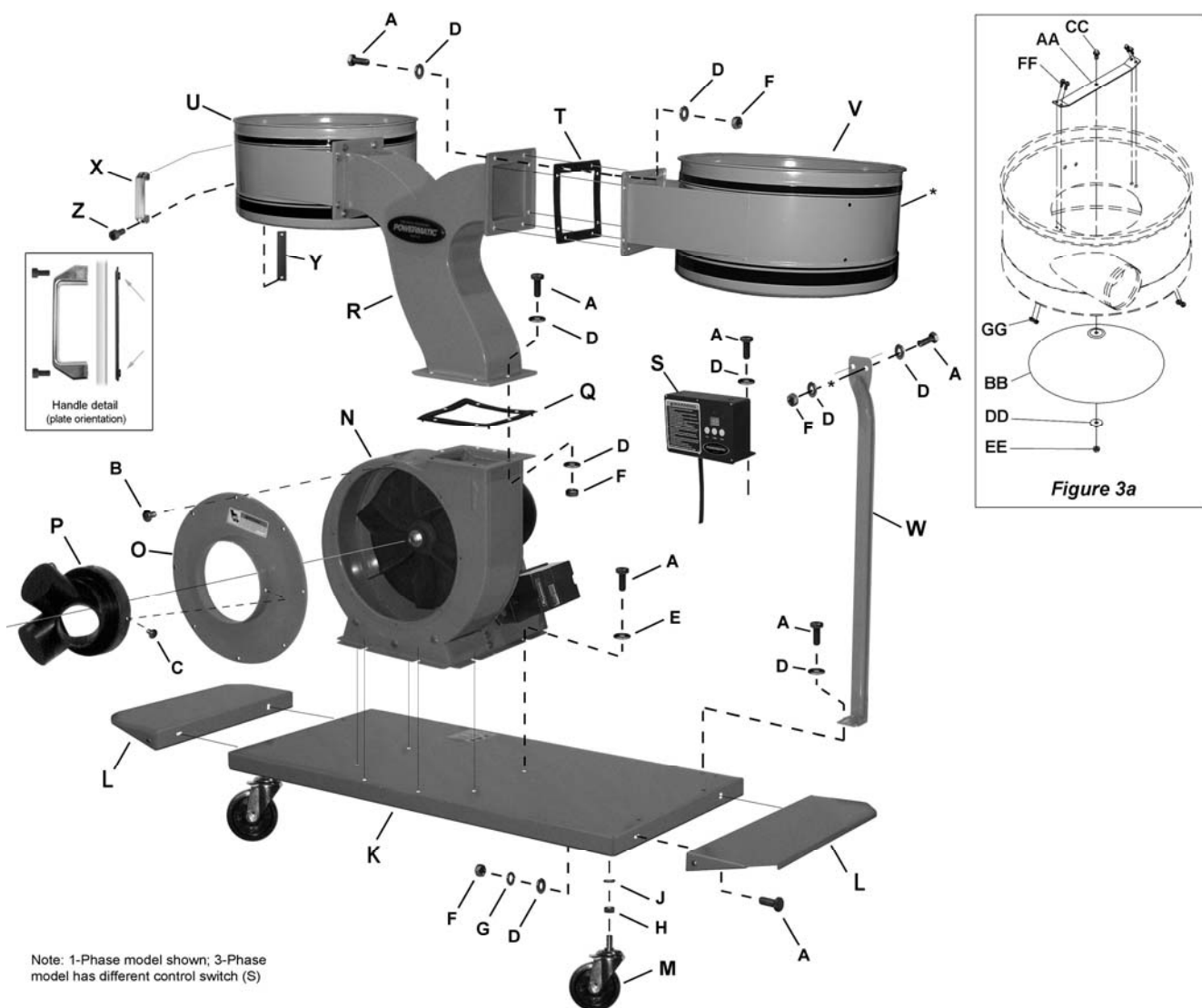


Figure 3: Assembly and part identification

Filter Bag System Assembly

Note: If your dust collection system includes the canister kit, proceed to *Canister System Assembly* on page 11.

1. Insert a *hanger support* between *support bar* and collector housing (Figure 4).
2. Align holes and secure with two M8x20 hex cap screws and two M8 flat washers outside the housing, and two M8 flat washers and two M8 hex nuts inside the housing. Hand tighten only.



Figure 4

3. Make any needed adjustments to the *support bar*, then tighten the two upper and two lower screws on the *support bar* with 13mm wrenches.
4. Insert the *ring* (Figure 5) of the *collector bag* into the bottom of the housing at an angle. Pull down on the collector bag to make sure it “seats” on the inner lip of the housing.
5. Position the plastic window in front so that you can easily see when collector bag is full.
6. Connect the *upper hanger* to the *hanger support bar* (Figure 6).
7. Slide the loop of the *filter bag* over the hook on the *upper hanger* and mount the hanger assembly onto the *hanger bracket* (Figure 4). Rotate the hanger so that the hook at the top points toward the front of the machine.
8. Unroll the *retainer straps* (Figure 6). **CAUTION:** Retainer straps are coiled under tension. Maintain a firm grip on each one while unrolling it.

9. Thread the *retainer strap* (Figure 6) through the loops on the filter bag, and fasten it to the collector housing, as shown in Figure 7.

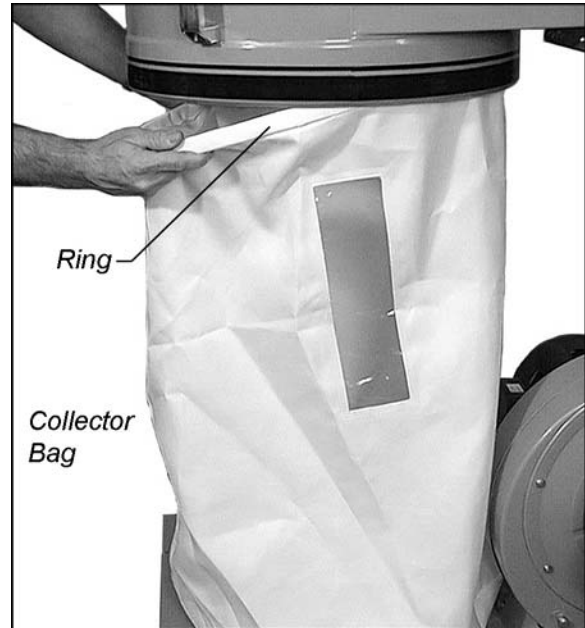


Figure 5

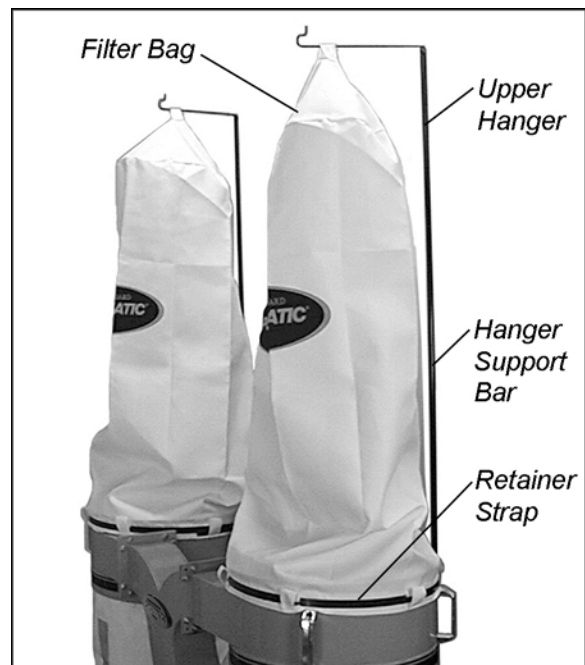


Figure 6

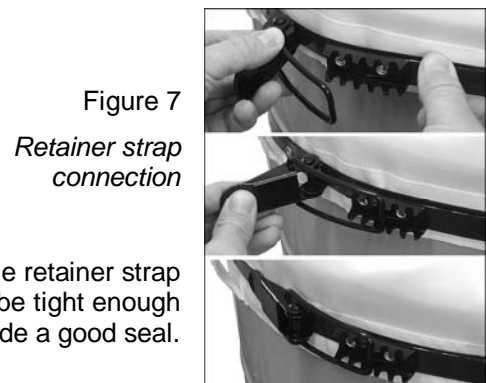


Figure 7
Retainer strap connection

The retainer strap should be tight enough to provide a good seal.

Canister System Assembly

(17mm wrench required)

1. Place the *snap ring* over the top of the *plastic collector bag*, and fold over the bag approximately three inches (Figure 8).



Figure 8

2. Insert the *snap ring* of the collector bag into the bottom of the housing at an angle (Figure 9).
3. Pull down on the *snap ring* to make sure it “seats” on the inner lip of the housing.

Note: Make sure the snap ring “snaps” into place in the housing, and also that the plastic bag hangs down approximately 3 inches so that there are no air leaks.

4. Remove the *handle* (Figure 10) from inside the *canister filter*. Mount the *handle* onto the *canister filter* with two M10 *hex nuts* (A), two M10 *flat washers* (B), and an M10 *lock washer* (C). Arrange these fasteners according to Figure 10. Tighten with a 17mm wrench.
5. Place the canister on top of the housing, and push down to ensure the canister is seated on the housing.
6. Insert and tighten the four *knobs* into the threaded holes on the canister (Figure 10).

Note: The Powermatic® label on the front of the canister should have a negligible effect upon air flow. However, if zero effect is desired, the label can always be peeled off.



Figure 9

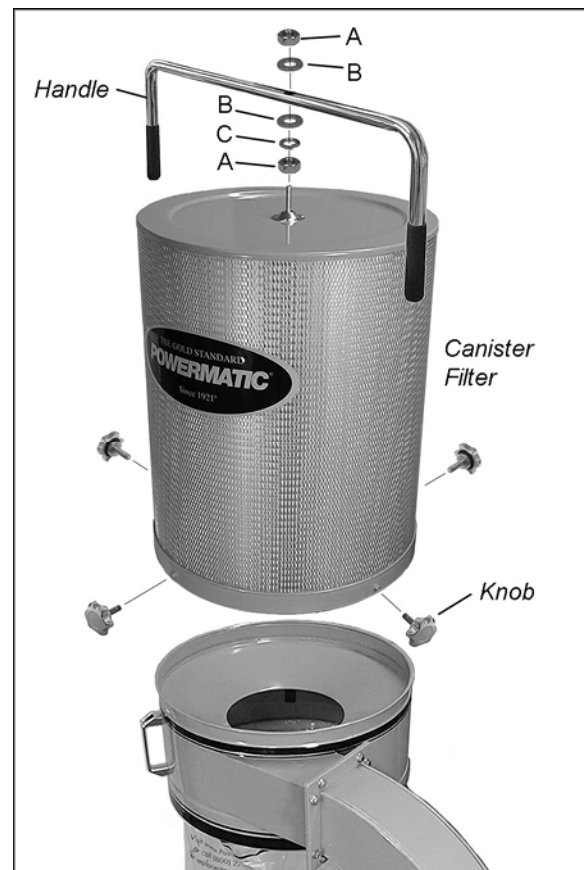


Figure 10

Electrical Connections

⚠WARNING Electrical connections must be made by a qualified electrician in compliance with all relevant codes. This machine must be properly grounded to help prevent electrical shock and possible fatal injury.

The PM1900TX is equipped with either a **single phase**, 230 volt only motor; or a **three phase**, 230/460V motor (pre-wired 230V). Keep in mind that a circuit being used by other machines (tools, lights, heaters, etc.) at the same time will add to the electrical load. Thus, it is recommended that the **single phase machine** be connected to a dedicated 40 amp circuit, with a 40 amp circuit breaker or fuse. It is recommended that the **three phase machine** be connected to a dedicated 20 amp circuit with a 20 amp circuit breaker or fuse. **Local codes take precedence over recommendations.**

The **three phase** dust collector can be re-wired for 460V operation as follows:

To convert from 230 to 460 volt operation:

1. *Disconnect from power source; unplug!*
2. Connect the motor leads as shown in the diagram inside the motor junction box; this diagram is also shown on page 20 of this manual.
3. Replace the plug on the power cord with an appropriate UL/CSA listed 460V plug.
4. When finished wiring, re-install junction box cover.

Grounding Instructions

This machine must be grounded. In the event of a malfunction or breakdown, grounding provides a path of least resistance for electric current to reduce the risk of electric shock.

Improper connection of the equipment-grounding conductor can result in a risk of electric shock. The conductor with insulation having an outer surface that is green with or without yellow stripes, is the equipment-grounding conductor. If repair or replacement of the electric cord or plug is necessary, do not connect the equipment-grounding conductor to a live terminal.

The hose or ductwork you use to connect the tool to the dust collector must also be grounded.

Make sure the voltage of your power supply matches the specifications on the motor plate of the dust collector.

Check with a qualified electrician or service personnel if the grounding instructions are not completely understood, or if in doubt as to whether the tool is properly grounded.

Repair or replace a damaged or worn cord immediately.

Extension Cords

If an extension cord is needed, make sure the cord rating is suitable for the amperage listed on the machine's motor plate. An undersize cord will cause a drop in line voltage resulting in loss of power and overheating.

Use the chart in Figure 11 as a general guide in choosing the correct size cord. If in doubt, use the next heavier gauge. The smaller the gauge number, the heavier the cord.

Recommended Gauges (AWG) of Extension Cords

Amps	Extension Cord Length *					
	25 feet	50 feet	75 feet	100 feet	150 feet	200 feet
< 5	16	16	16	14	12	12
5 to 8	16	16	14	12	10	NR
8 to 12	14	14	12	10	NR	NR
12 to 15	12	12	10	10	NR	NR
15 to 20	10	10	10	NR	NR	NR
21 to 30	10	NR	NR	NR	NR	NR

*based on limiting the line voltage drop to 5V at 150% of the rated amperes.
NR: Not Recommended.

Figure 11

Operating the Machine

3 Phase models: Connect the dust collector to the power source, and use the industrial-style push-button switch to operate the machine.

1 Phase models: If power is flowing, a green indicator will light on the face of the control panel. To operate the machine, use the buttons on the control panel, or use the provided remote control. To start the dust collector, press the ON button. If the remote control is used, aim it at the control panel. The machine will remain running until the OFF button is pressed. The digital readout will always display 00 while running.

The remote control operates on two AAA batteries. These will need replacing periodically.

NOTE: The infrared sensor on the dust collector has a 120° line-of-sight angle. See Figure 12. Outside of this angle, the remote control may not be effective.

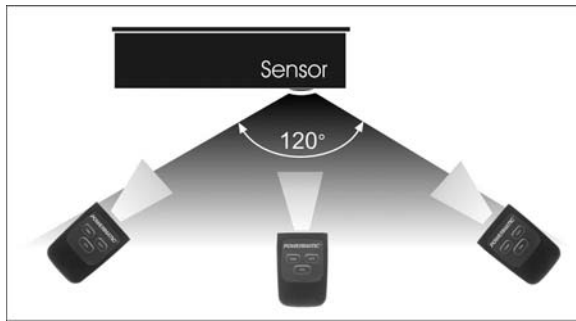


Figure 12

Setting the Timer (1-Phase Models)

While the machine is running, press the TIME button to activate the timer. Each time the button is pressed and released, the run time is incremented on the digital display by one minute and can be set up to 99 minutes.

If the TIME button is pressed and held, the time will scroll up to 99 minutes, then start again at 00. Release the button when the desired set time is reached. The dust collector will run for the amount of time displayed on the digital display. If you scroll past 99 and release the button at 10, for example, the machine will run for ten minutes, not 110 minutes.

If the OFF button is pressed while machine is running with the timer engaged, the machine turns off and the timer is disengaged; i.e., when the machine is restarted, the timer must be reset.

Connecting the Dust Collector to a Machine

Use the proper type hose to connect the dust collector to the machine being operated. *Dryer vent hose is not acceptable for this purpose.* Contact your nearest Powermatic distributor for a full line of Dust Collector hoses and accessories. You can customize your installation and obtain maximum performance with dust hoods, hoses, clamps, fittings, and blast gates.

Maintenance

⚠WARNING Never perform maintenance on this machine before turning it OFF and removing plug from power source. Failure to comply may cause serious injury!

Cleaning the Filter Bags

⚠CAUTION Wearing a particle mask or respirator for protection against fine dust particles during cleaning is highly recommended.

During first use and after cleaning, the filter bags may allow some dust to escape. This is normal and will stop after a short period of time.

Clean both the filter and collector bags frequently to keep the collector's performance at its optimum. To clean:

1. Disconnect machine from the power source.
2. Unhook the filter bag from the hanger. Shake the bag so that the majority of the dust falls into the collector bag.
3. Loosen the retaining strap, and remove the filter bag from the housing.
4. Turn the bag inside-out and clean.
5. Turn the bag outside-in and re-attach to the housing using the retainer strap to secure.

Removing the Collector Bags

1. Disconnect machine from the power source.
2. Remove the collector bag by pushing the ring of the collector bag upwards and pulling the bag out at an angle.
3. Empty the contents into an appropriate container.
4. Turn the bag inside-out and clean.
5. Turn the bag outside-in and insert into the housing.

Cleaning the Canister Filters

Clean the canister filters frequently to keep the collector's performance at its optimum. To clean the filter, turn the handle a couple of rotations so the dust falls into the clear plastic bag. Properly discard the plastic bag.

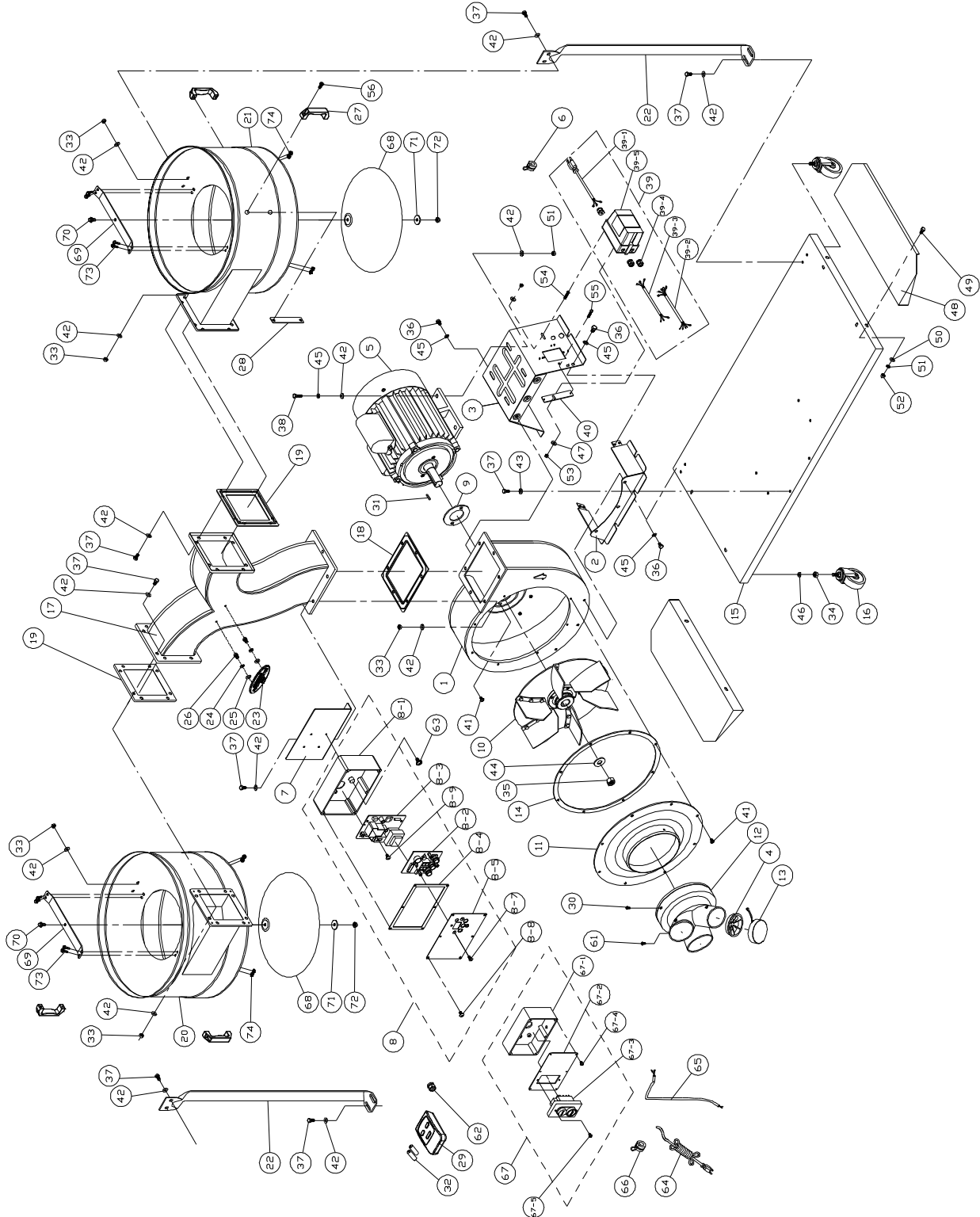
Motor

Make frequent inspections of the motor fan and blow out (with low pressure air hose) or vacuum any accumulation of foreign material in order to maintain normal motor ventilation.

Replacement Parts

Replacement Parts are listed on the following pages. To order parts or reach our service department, call 1-800-274-6848, Monday through Friday (see our website for business hours, www.powermatic.com). Having the Model Number and Serial Number of your machine available when you call will allow us to serve you quickly and accurately.

Breakdown for PM1900TX Dust Collector (Base Machine)



Parts List for PM1900TX Dust Collector (Base Machine)

Index No.	Part No.	Description	Size	Qty
1	PM1900-101	Impeller Housing		1
2	PM1900-102	Impeller Housing Bracket		1
3	PM1900-103-1	Motor Bracket	1Ph	1
	PM1900-103-3	Motor Bracket	3Ph	1
4	PM1300-151	Inlet Guard		3
5	PM1900-105-1	Motor	3HP, 230V, 1Ph	1
	PM1900-105-1MF	Motor Fan (not shown)		1
	PM1900-105-1MFC	Motor Fan Cover (not shown)		1
	PM1900-105-1SC	Starting Capacitor (not shown)	600MFD, 125VAC	1
	PM1900-105-1RC	Running Capacitor (not shown)	50µF, 250VAC	2
	PM1900-105-1CS	Centrifugal Switch (not shown)		1
	PM1900-105-3	Motor	3HP, 230/460V, 3Ph	1
	PM1900-105-1MF	Motor Fan (not shown)		1
	PM1900-105-1MFC	Motor Fan Cover (not shown)		1
6	998630	Strain Relief	7P-2	1
	709421	Strain Relief	M20 (for 3PH type)	1
7	PM1900-107	Mount Plate		1
8	PM1900-108	Remote Control Switch Assembly	For 3HP, 230V, 1Ph	1
8-1	DCRC-108	Switch Box		1
8-2	PM1900-108-2	Circuit Board		1
8-3	PM1900-108-3	Digital Switch		1
8-4	DCRC-104	Seal		1
8-5	DCRC-103	Switch Plate		1
8-6	PM1900-108-6	Pan Head Screw	M5x8	4
8-7	DCRC-102	Flat Head Screw	1/8" x 1/4"	3
8-8	ST039304	Tapping Screw	M3.5x12(AB)	6
8-9	DCRC-111	Tapping Screw	M4x10	1
	PM1900-108-10	Display Label (not shown)		1
9	420051	Motor Gasket		1
10	431006	Impeller	Dia.14"	1
11	PM1900-111	Inlet Guard	8"	1
12	499025	Inlet Port	3 @ 4"	1
13	420203	Inlet Cap		2
14	431034	Rubber Gasket		1
15	PM1900-115	Base		1
16	402036	Caster		4
17	PM1900-117	Connector Tube		1
18	430035	Rubber Gasket		1
19	430036	Rubber Gasket		2
20	PM1900-120	Left Housing		1
21	PM1900-121	Right Housing		1
22	PM1900-122	Support Bar		2
23	PWBS14-254SN	POWERMATIC Nameplate, Small		1
24	TS-2361061	Lock Washer	M6	2
25	TS-1550041	Flat Washer	M6	2
26	6715154	Hex Cap Screw	1/4-20 x 3/8	2
27	PM1900-127	Handle		4
28	PM1900-128	Fastening Plate		4
29	PM1900-129	Remote Control		1
	PM1900-129-1	Remote Control Label (not shown)		1
30	990855	Pan Head Flange Screw	3/16 x 1/2	1
31	992021	Key	7x7x20	1
32		Battery (local purchase)	AAA	2
33	TS-1540061	Hex Nut	M8	30
34	TS-0561031	Hex Nut	3/8-16	4
35	TS-0561072	Hex Nut	5/8-18 UNF	1
36	TS-1490011	Hex Cap Screw	M8x12	10

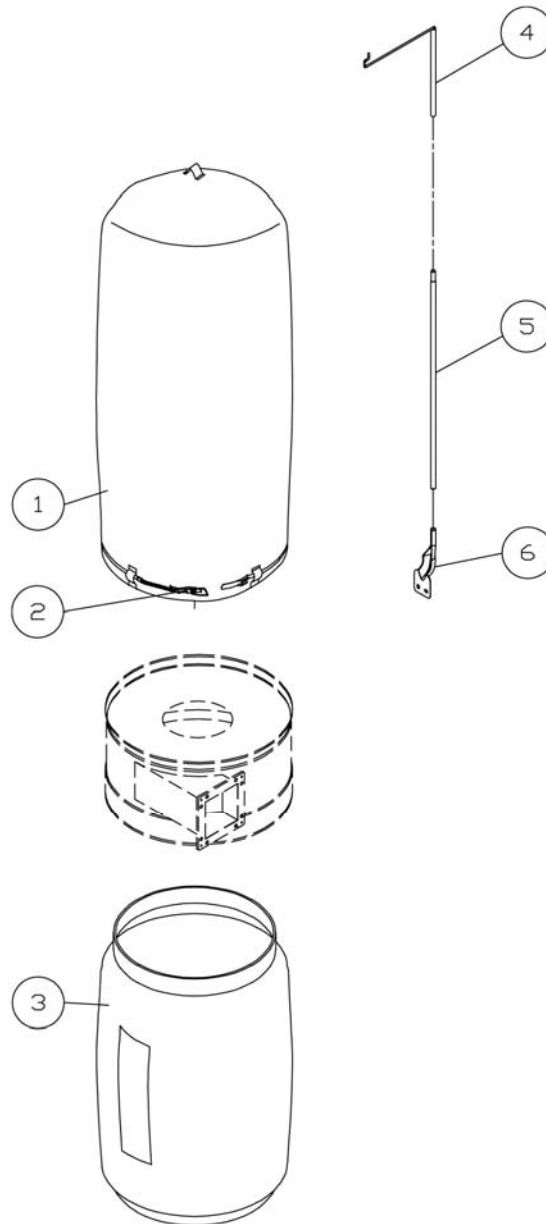
Index No.	Part No.	Description	Size	Qty
37	TS-1490031	Hex Cap Screw	M8x20	36
38	TS-1490041	Hex Cap Screw	M8x25	4
39	PM1900-139	Magnetic Switch	for 3HP, 230V, 1Ph	1
39-1	PM1900-139-1	Power Cord	14AWG x 3C	1
39-2	PM1900-139-2	Motor Cord	14AWG x 3C	1
39-3	PM1900-139-3	Switch Cord	14AWG x 3C	1
40	PM1900-140	Fastening Plate		1
41	SF069300	Pan Head Flange Screw	M6x12	10
42	TS-1550061	Flat Washer	M8	64
43	TS-1550071	Flat Washer	M10	6
44	TS-155010	Flat Washer	M16	1
45	TS-2361081	Lock Washer	M8	14
46	TS-2361101	Lock Washer	M10	4
47	TS-1550031	Flat Washer	M5	2
48	PM1900-148	Base Extension		2
49	TS-1490031	Hex Cap Screw	M8x20	4
50	TS-1550061	Flat Washer	M8	4
51	TS-2361081	Lock Washer	M8	4
52	TS-1540061	Hex Nut	M8	4
53	TS-1540031	Hex Nut	M5	2
54	TS-1533042	Pan Head Screw	M5x12	2
55	PM1900-108-6	Tapping Screw	M5x8	2
56	TS-1504021	Socket Head Cap Screw	M8x12	8
61	990855	Pan Head Flange Screw	3/16 x 1/2	1
62	709421	Strain Relief	M20	1
63	DCRC-111	Tapping Screw	M3.5x10(AB)	6
64	IC411007	Power Cord	14AWG x 4C 600V (for 3HP, 3Ph)	1
65	IM411007	Motor Cord	14AWG x 4C 600V (for 3HP, 3Ph)	1
66	709421	Strain Relief	M20	1
67	PM1900-160	Switch Assembly	For 3HP, 230/460V, 3Ph	1
67-1	PM1900-160-1	Switch Box		1
67-2	PM1900-411057	Switch Plate		1
67-3	PM1900-994507	Push Button Switch	3HP, 230/460V, 3Ph	1
67-4	ST039304	Tapping Screw	M3.5x12	6
67-5	JJ6HH-348	Pan Head Screw	M4x25	2
68	PM1300-155	Cone		2
69	DC1100-47-1	Support Bracket		2
70	TS-1490021	Hex Cap Screw	M8x16	2
71	TS-1550061	Flat Washer	M8	2
72	TS-1540061	Hex Nut	M8	2
73	TS-1482021	Hex Head Bolt	M6x12	8
74	TS-2311061	Hex Nut	M6	8
	PM1300-162	Powermatic Turbocone Decal (not shown)	2-3/4 x 8"	1
	PM1900-BMHP	Base Machine Hardware Package (not shown)*		1
	PM1900-BEHP	Base Extension Hardware Package (not shown)**		1
	DC1100-HP2	Hardware Package for Cone Assembly (index # 70 thru 74)		2

* Base Machine Hardware Package includes index # 30, 33, 37, 41, 42 and 43.

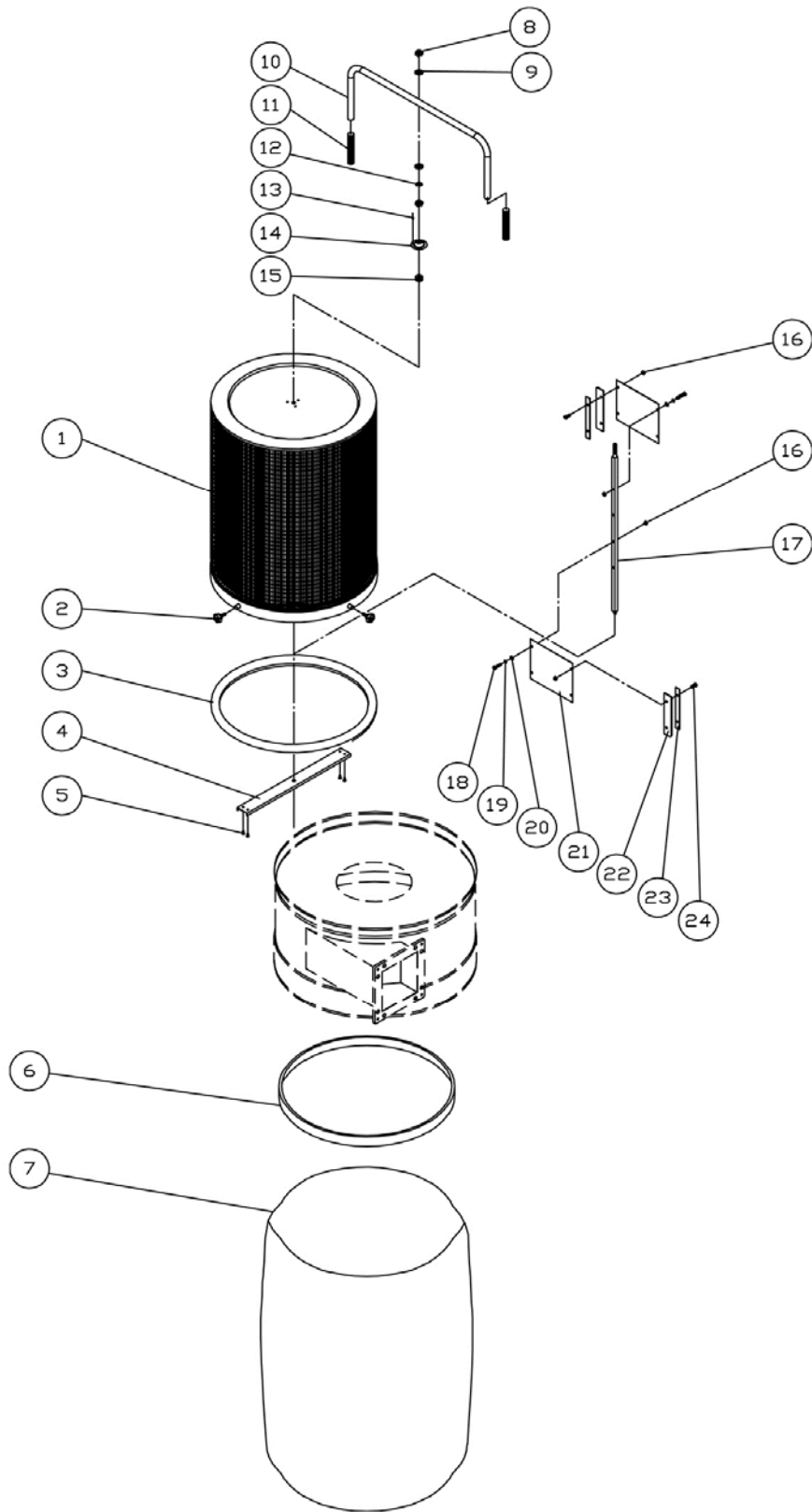
** Base Extension Hardware Package includes index # 49 thru 52.

Parts List and Breakdown for PM1900TX Filter Bag System

Index No.	Part No.	Description	Size	Qty
.....	1791075B	Collection and Filter Bag System (includes #1 thru 6)	1
1.....	1791075F	Filter Bag.....	30 micron	2
2.....	430005	Retainer Strap.....		2
3.....	708699A	Collection Bag.....		2
4.....	430039	Upper Hanger.....		2
5.....	430037	Support Bar.....		2
6.....	523011	Hanger Bracket.....		2



Breakdown for PM1900TX Canister Filter System



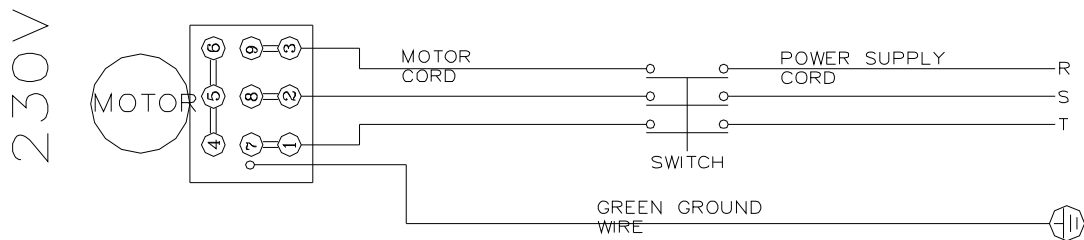
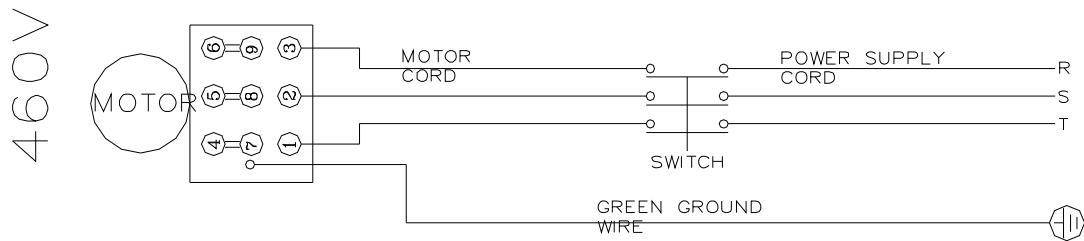
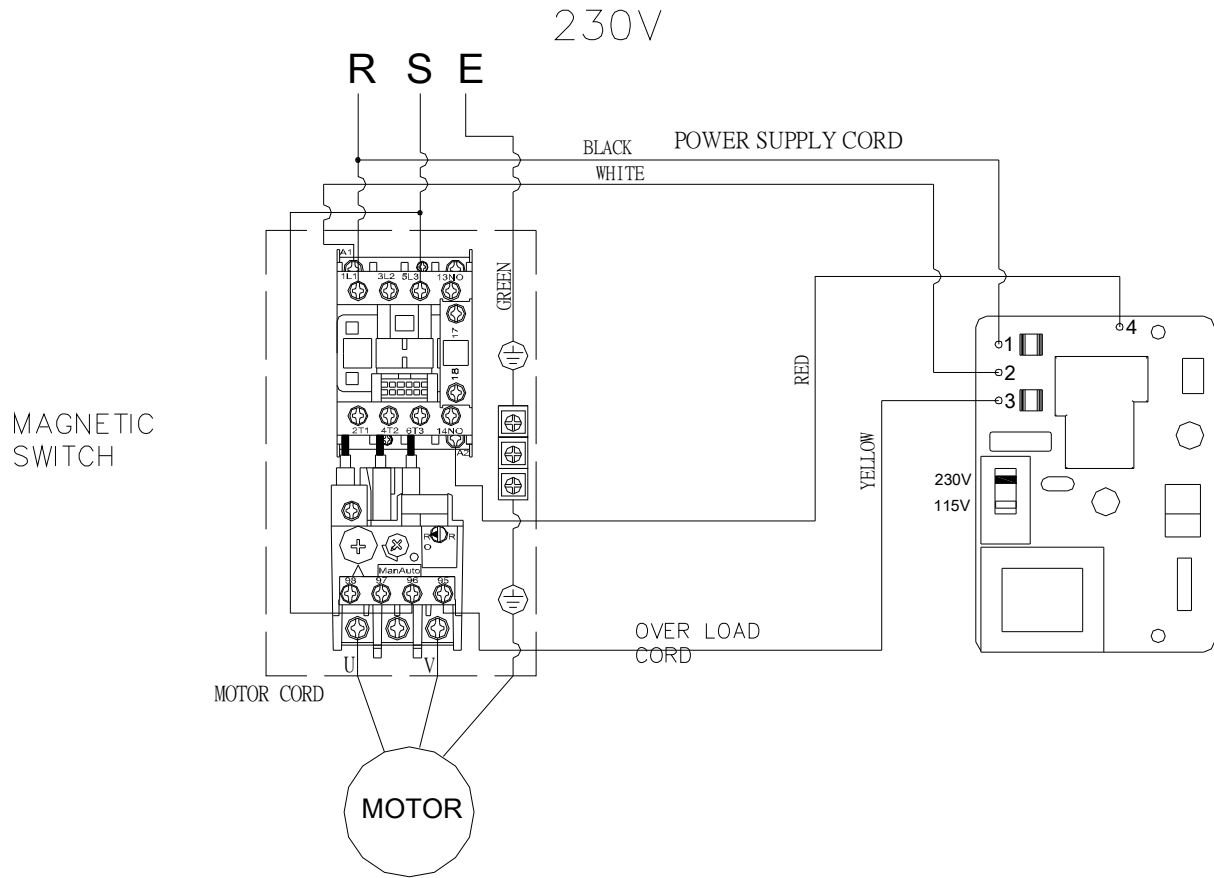
Parts List for PM1900TX Canister Filter System

Index No.	Part No.	Description	Size	Qty
	1791086	Canister Filter System (includes #1 thru 24)		2
1	PM1900-301	Canister Filter		1
2	PM1900-302	Knob	M6x20	4
3	331031	Pad		1
4	331009	Support		1
5	ST049200	Tapping Screw	M4x8	4
6	331038	Snap Ring		1
7	1791087	Plastic Collection Bag (Package of 5)	800x1050x0.1t mm	1
8	TS-1540071	Hex Nut	M10	2
9	TS-1550071	Flat Washer	M10	2
10	331050	Handle		1
11	331051	Soft Grip Handle		2
12	TS-2361101	Lock Washer	M10	1
13	BR000052	Rivet	5-2	3
14	331014	Bracket		1
15	150623	Rubber Mount		1
16	TS-1540041	Hex Nut	M6	8
17	331052	Shaft		1
18	TS-1482041	Hex Cap Screw	M6x20	4
19	TS-2361061	Lock Washer	M6	4
20	TS-1550041	Flat Washer	M6	4
21	331012	Scraper		2
22	331017	Plate		2
23	331015	Plate		2
24	TS-1482021	Hex Cap Screw	M6x12	4
	PM1300-PLO	Powermatic Label (not shown)	5-1/2x14 Oval	1
	PM1900-CHP	Canister Hardware Package (not shown) *		1

* Canister Hardware Package includes index # 2, 8, 9 and 12.

Electrical Connections

Installation work and electrical wiring must be done by qualified person(s) in accordance with all applicable codes and standards, including fire-rated construction.



POWERMATIC®

Manual de Instrucciones y Partes del Colector de Polvo *PM1900TX*



PM1900TX con Juego de Bolsa Filtro (1792071K)

Ahora con **TURBOCONE**
ENHANCED PARTICLE SEPARATION



PM1900TX con Juego de Canastas (1792072K)



Powermatic
427 New Sanford Road
LaVergne, TN 37086
Teléf.: 800-274-6848
www.powermatic.com

Parte Nro. M-1792071
Revisión A4 02/2014
Copyright © 2014 Powermatic

Garantía y Servicio Técnico

Powermatic garantiza todos los productos que venden contra defectos de fabricación. Si alguna de nuestras herramientas necesita servicio técnico o reparación, Comuníquese con el Servicio Técnico llamando al 1-800-274-6846, 8AM to 5PM CST, de lunes a viernes.

Período de la Garantía

La garantía general, dura el período especificado en el documentación que se incluye con el producto o en el oficial Powermatic sitios web de marca.

- Los Powermatic productos tienen una garantía limitada, la cual varía en duración dependiendo del producto. (Ver tabla de abajo)
- Accesorios tienen una garantía limitada de un año desde la fecha de recepción.
- Los elementos de desgaste se definen como piezas de desgaste o accesorios que se espera que deje de funcionar dentro de un período razonable de uso y están cubiertos por una garantía limitada de 90 días contra defectos de fabricación.

Quien Esta Cubierto

Esta garantía sólo cubre al comprador original del producto a partir de la fecha de entrega.

Que Esta Cubierto

Esta garantía cubre cualquier defecto de mano de obra o materiales sujeto a las limitaciones indicadas a continuación. Esta garantía no cubre defectos debidos directa o indirectamente al uso indebido, maltrato, negligencia o accidentes, desgaste natural, reparación indebida, alteraciones o falta de mantenimiento.

Limitaciones de la Garantía

Los productos de carpintería con garantías de cinco (5) años que se usan para fines comerciales, industriales o docentes están cubiertos por una garantía de un (1) año. Por favor, póngase en contacto con Servicio Técnico al 1-800-274-6846 para más aclaraciones.

Como Obtener Soporte Técnico

Por favor, póngase en contacto con Servicio Técnico al 1-800-274-6846. **Por favor, tenga en cuenta que se le pedirá proporcionar prueba de su compra inicial cuando se llama.** Si un producto requiere una inspección adicional, el representante de servicio técnico le explicará y ayudar con cualquier medida adicional necesaria. Powermatic tiene centros de Servicio Técnico Autorizado ubicados por todo Estados Unidos. Para obtener el nombre de un Centro de Servicio Técnico Autorizado en su área, llame al 1-800-274-6846 o utilice el Localizador de Centro de Servicio en el Powermatic sitio web.

Más Información

Powermatic está constantemente añadiendo nuevos productos. Para obtener información completa y actualizada de los productos, diríjase al distribuidor en su localidad o visite el Powermatic sitio web.

Como se Aplica la ley Estatal

Esta garantía le otorga derechos legales específicos, sujetos a las leyes estatales.

Limitaciones de esta Garantía

LÍMITES POWERMATIC TODAS LAS GARANTÍAS IMPLÍCITAS AL PERÍODO DE LA GARANTÍA LIMITADA PARA CADA PRODUCTO. CON EXCEPCIÓN DE LO DECLARADO EN ESTE DOCUMENTO, ESTÁ EXCLUIDA CUALQUIER GARANTÍA IMPLÍCITA O DE COMERCIALIZACIÓN E IDONEIDAD PARA UN PROPÓSITO PARTICULAR O ADECUACIÓN. ALGUNOS ESTADOS NO PERMITEN LIMITACIONES A LA DURACIÓN DE LA GARANTÍA IMPLÍCITA, POR LO QUE LA LIMITACIÓN ANTERIOR PODRÍA NO SERLE APLICABLE.

EN NINGÚN CASO SERÁ POWERMATIC RESPONSABLE POR LA MUERTE, LESIONES A PERSONAS O PROPIEDADES O POR DAÑOS INCIDENTALES, CONTINGENTES, ESPECIALES O EMERGENTES QUE SURJAN DEL USO DE NUESTROS PRODUCTOS. ALGUNOS ESTADOS NO PERMITEN LA EXCLUSIÓN NI LIMITACIÓN DE DAÑOS INCIDENTALES O EMERGENTES POR LO QUE LA LIMITACIÓN O EXCLUSIÓN ANTERIOR PODRÍA NO SERLE APLICABLE.

Powermatic vende sólo mediante distribuidores. Las especificaciones en Powermatic materiales impresos y en el oficial Powermatic sitios web de marca se ofrecen como información general y no son vinculantes. Powermatic se reserva el derecho de efectuar en cualquier momento y sin previo aviso aquellas alteraciones que consideren necesarias por cualquier razón en las piezas, adaptadores y equipos accesorios.

Listado de productos con periodo de garantía

90 Días – Piezas; Insumos
1 Año – Motores; Accesorios de la máquina
2 Año – Maquinaria para madera usado para fines industriales o comerciales
5 Año – Maquinaria para madera

Nota: Powermatic es una división de JPW Industries, Inc.. Las referencias en este documento a Powermatic también se aplican a JPW Industries, Inc., o cualquiera de sus sucesores en interés del Powermatic marcas.

Índice

Garantía y Servicios Técnico	2
Índice	3
Advertencias	4
Introducción.....	6
Especificaciones.....	6
Desempaque.....	7
Contenido del Embalaje de Transporte.....	7
Montaje de la Máquina Base.....	8
Base y Extensiones de Base	8
Rodillos.....	8
Montaje del Motor y el Impulsor.....	8
Tubo Conector y Caja del Interruptor.....	8
Carcasas del Colector.....	8
Barras Soporte.....	8
Manijas.....	9
Montaje del Cono.....	9
Sistema de Filtros	9
Montaje del Sistema de Bolsa Filtro.....	10
Montaje del Sistema de Canasta	11
Conexiones Eléctricas	12
Cables de Extensión	12
Operación de la Máquina.....	12
Ajuste del Temporizador	13
Conexión del Colector de Polvo a la Máquina.....	13
Mantenimiento.....	13
Limpieza de las Bolsas Filtro.....	13
Extracción de las Bolsas Colectoras.....	13
Limpieza de los Filtros Canasta.....	13
Motor	13
Partes de Repuesto	14
Despieze del Colector de Polvo PM1900TX (Máquina Base).....	14
Lista de Partes para el Colector de Polvo PM1900TX (Máquina Base)	15
Lista de Partes y Despieze del Sistema de Bolsa Filtro para el PM1900TX.....	17
Despieze del Sistema Recipiente Filtro PM1900TX.....	18
Lista de Partes para el Sistema de Filtro Canasta del PM1900TX	19
Conexiones Eléctricas	20

Advertencias

1. Lea y comprenda por completo el manual del propietario antes de intentar ensamblar u operar el equipo.
2. Lea y comprenda los mensajes de advertencias adheridas a la máquina y en el manual. La no observación de estas advertencias podría causar serios daños.
3. Sustituya las etiquetas de advertencia, si las mismas se vuelven oscuras o son retiradas.
4. Este Colector de Polvo está diseñado y previsto para el uso apropiado por parte de personal entrenado y experimentado. Si usted no está familiarizado con la operación apropiada y segura del colector de polvo, no usarlo hasta poseer un entrenamiento y conocimiento apropiados sobre el equipo.
5. No use el colector de polvo para otro uso fuera de lo previsto. Si es usado para otros propósitos, Powermatic anula todas las garantías reales o implícitas y se desentiende de cualquier lesión que pueda resultar de ese uso.
6. Use siempre gafas de seguridad/protectores faciales aprobados durante el uso de este colector de polvo. Los lentes de uso diario solo tienen lentes resistentes al impacto, pero no son lentes de seguridad.
7. Conserve el pelo suelto y ropas flojas, los dedos y todas las partes del cuerpo, distantes de las aberturas y las partes móviles.
8. Use protectores auditivos (protectores de oído u orejeras) durante los períodos de operación extendidos.
9. Cierta polvos generados por el lijado, aserrado, amolado y taladrado mecánicos, y debido a otras actividades de construcción, contienen agentes químicos que se sabe causan cáncer, defectos de nacimiento u otros daños sobre la reproducción. Algunos ejemplos de estos agentes químicos son:
 - Plomo de las pinturas a base de plomo,
 - Sílice cristalina de ladrillos, cemento y otros productos de mampostería, y
 - Arsénico y cromo de la madera tratada químicamente.Su riesgo por causa de estas exposiciones varía, dependiendo de con cuánta frecuencia realice este tipo de trabajo. Para reducir su exposición a estos agentes químicos: trabaje en un área bien ventilada y trabaje con equipo de seguridad aprobado, como por ejemplo máscaras antipolvo que estén diseñadas especialmente para impedir mediante filtración el paso de partículas microscópicas.
10. No opere esta máquina si se encuentra cansado o bajo influencia de drogas, alcohol o cualquier medicamento.
11. Asegúrese de que el interruptor está en la posición de **OFF (APAGADO)** antes de conectar la máquina a la red de energía eléctrica. Apague todos los controles antes de desenchufar.
12. Asegúrese de que la máquina tenga una puesta a tierra apropiada. Conecte solamente a una toma con puesta a tierra apropiada.
13. Realice todos los ajustes o tareas de mantenimiento con la máquina desconectada de la red de energía eléctrica.
14. Retire las chavetas de ajuste y las llaves. Hábituese a verificar que las chavetas y llaves de ajuste sean retiradas de la máquina antes de encenderla.
15. Mantenga las guardas de seguridad en su lugar en todo momento cuando la máquina se encuentre en funcionamiento. Si son retiradas por cuestiones de mantenimiento, sea extremadamente cuidadoso y sustituya las guardas de inmediato luego de finalizar las tareas de mantenimiento.
16. Verifique las partes dañadas. Antes del uso de la máquina, la guarda o parte dañada de la máquina debería ser verificada cuidadosamente para determinar si podrá operar correctamente y ejecutar su función prevista. Verifique la alineación de las partes móviles, piezas móviles atascadas, partes rotas, condiciones de montaje y otras que puedan afectar su operación. Una guarda u otra parte dañada debería ser reparada o sustituida apropiadamente.
17. Disponga del área de trabajo adecuado e iluminación de techo antireflejo.
18. Mantenga el piso alrededor de la máquina, limpio y libre de restos, aceite y grasa.
19. Mantenga a los visitantes a una distancia segura del área de trabajo. **Mantenga alejados a los niños.**



Advertencias

20. Haga que su taller sea a prueba de niños con candados, interruptores de corte, o retirando las llaves de seguridad.
21. Preste suma atención a su trabajo. Mirar alrededor, conversar y hacer “payasadas” son actos imprudentes que pueden resultar en serias lesiones.
22. Para reducir el riesgo de choque eléctrico, no use superficies de exterior o mojadas.
23. No use el colector de polvo para nada, excepto para el aserrín. Materiales tales como líquidos, restos de metales, polvillo metálico, tornillos, vidrios, plástico o rocas pueden causar chispas y/o daños al entrar en contacto con cualquier parte del colector de polvo.
24. No aspire nada que se esté quemando o humeando tales como cigarrillos o cerillos, o ceniza caliente.
25. No use para levantar material o combustible líquido inflamable tales como gasolina ni lo use en donde tales materiales se encuentren presentes.
26. No estire ni transporte el equipo utilizando el cable de alimentación, ni use el cable como una manija, cierre una puerta por el cable, o estire el cable alrededor de aristas cortantes o esquinas. No active el colector de polvo sobre el cable de alimentación. Conserve distante el equipo de las superficies calientes.
27. No use este colector de polvo con un cable o enchufe dañados.
28. No desenchufe estirando el cable. Para desenchufar, agarre el enchufe, no el cable.
29. No use el equipo si la bolsa y /o filtros en su lugar.
30. No manipule el enchufe o la máquina con las manos mojadas.
31. No coloque ningún objeto en las aberturas. No use el equipo con ninguna abertura bloqueada; conserve el equipo libre de aserrín, lienzo, pelo o cualquier otro objeto que pueda reducir el caudal de aire.
32. No opere el equipo sin el tubo flexible conectado. Con las partes móviles peligrosas en movimiento. Desenchufe el equipo antes de retirar la toma de entrada o la guarda de entrada.
33. Use los accesorios recomendados; los accesorios inapropiados pueden ser peligrosos.
34. Mantenga las herramientas con cuidado. Siga las instrucciones para la lubricación y cambio de accesorios.
35. Apague la máquina antes de limpiarla. Use un cepillo o aire comprimido para remover las virutas o restos, no use sus manos.
36. No abandone la máquina cuando esta se encuentre enchufada. Desenchufe de la toma cuando no se usa y ante de realizar tareas de servicio.
37. Nunca se suba sobre la máquina. Podrían producirse lesiones graves si la herramienta se inclina.

Familiarícese con los siguientes mensajes de seguridad usados en este manual:



Esto significa que si no se toman las debidas precauciones, podría resultar en una lesión menor y/o posiblemente daños a la máquina.



Esto significa que si no se toman las debidas precauciones, podría resultar en una lesión seria o posiblemente la muerte.

- - GUARDE ESTAS INSTRUCCIONES - -

Introducción

Este manual es suministrado por Powermatic cubriendo los procedimientos de operación y mantenimiento seguros de un equipo Powermatic Modelo PM1900TX Colector de Polvo. Este manual contiene los procedimientos de operación general, precauciones de seguridad, e instrucciones sobre la instalación del equipo, mantenimiento y despiece de partes. Esta máquina ha sido diseñada y construida para proveer años de operación sin problemas si es que la misma es usada de acuerdo con las instrucciones establecidas en este manual. Si tiene preguntas o comentarios, contacte a nuestro representante local o a Powermatic. Powermatic puede ser contactado en nuestro sitio Web: www.powermatic.com.

Especificaciones

Modelo Nro.....	PM1900TX
Números de Serie:	
PM1900TX (MÁQUINA BASE A), incluye 3HP, 1 Ø Motor, Control Remoto y Arranq., Mágn.....	1792071
PM1900TX (MÁQUINA BASE B), incluye 3HP, 3 Ø Motor, 230V/460V, (Cableado p/ 230V).....	1792073
PM1900TX (MÁQUINA BASE A) con Juego de Filtros Canasta	1792071K
PM1900TX (MÁQUINA BASE A con Juego de Bolsa Filtro	1792072K
PM1900TX (MÁQUINA BASE B) con Juego de Filtros Canasta	1792073K
PM1900TX (MÁQUINA BASE B) con Juego de Bolsa Filtro	1792074K
Sistema de Bolsa Filtro solamente	1791075B
Sistema de Filtro de Recipiente solamente.....	1791086
Diámetro del Ventilador	14"
Valor nominal de sonido a 3 Pies.....	86-92 db
Diámetro del Puerto de Entrada (pulg.).....	3 a 4" o uno a 8"
Caudal de Aire a 8" – MÁQUINA BASE A y B (Pies Cúbico por minuto).....	1891
Velocidad a 8" – MÁQUINA BASE A y B (Pies por Minuto)	5393.7
Presión Estática (pulgadas de columna de agua).....	12.15
Diámetro de las Bolsas y Canasta (pulg.)	20
Longitud de la Bolsa Filtro (pulg.).....	48
Eficiencia de la Bolsa Filtro.....	96% de partículas de 30 micras
Longitud de la Bolsa Filtro (pulg.).....	26
Eficiencia de la Canasta	86% de part. de las partículas de 1 micras; 98% de part. de 2 micras
Capacidad de la Bolsa Colectora (Pies Cúbicos.)	10
Tipo de Control Remoto (<i>Unidad Monofásica Solamente</i>).....	infrarrojo
Dimensiones Generales con el Sistema de Bolsa Filtro (LxAxH) (pulg.)	61 x 30 x 94
Dimensiones Generales con el Sistema de Canastas (LxAxH) (pulg.).....	61 x 30 x 72
Motor (TEFC)	3 HP, 1Ø 230V solamente o 3 HP, 3 Ø, 230V/460V, Cableado p/ 230V
Peso Aproximado (neto/transporte):	
PM1900TX con Sistema de Bolsa de Filtro (lbs.).....	211/215
PM1900TX con Sistema de Canastas (lbs.)	268/272

Las especificaciones de arriba fueron las actuales al momento de publicar este manual, pero debido a nuestra política de mejora continua, Powermatic se reserva el derecho de cambiar las especificaciones en cualquier momento y sin notificación previa, sin incurrir en obligaciones.

Desempaque

Retire todo el contenido del contenedor y verifique todos los ítems, contra el listado de *empaques* mostrado más abajo para verificar que todos los ítems hayan sido recibidos.

Ante cualquier daño, reporte el hecho inmediatamente a su distribuidor.

No descarte ningún material de transporte hasta que el colector de polvo sea ensamblado y esté funcionando apropiadamente.

Usted requerirá también o el Sistema de Bolsa Filtro o el Sistema de Recipiente Filtro. Estos ítems vienen transportados por separado y no están listados aquí.

Contenido del Embalaje de Transporte

Refiérase a la Figura 3 para identificar los ítems K–Z.

- K Base (1)
- L Extensión de Base (2)
- M Rodillo (4)
- N Conjunto Motor/Impulsor (1)
- O Guarda de Entrada (1)
- P Puerto de Entrada c/Tapa (1)
- Q Junta Inferior (1)
- R Tubo Conector (1)
- S Tablero de Control (1)
- T Junta Inferior (2)
- U Carcasa Izquierda (1)
- V Carcasa (1)
- W Barra de Sopote (2)
- X Manija (2)
- Y Placa (2)
- Z Tornillo de cabeza hexagonal hueca, M8x12 (4)
- Control Remoto con pilas (*solamente en máquina*) (no se muestra)
- Manual del Propietario (no se muestra)
- Tarjeta de Garantía (no se muestra)

Contenido de la Bolsa de Partes (Figura 1):

- A – Tornillos de Cabeza Hexagonal M8 x 20 (34)*
- B – Tornillo para Bridas de Cabeza Cilíndrica (8)* M6 x 12
- C – Tornillo para Bridas de Cabeza Cilíndrica 3/16" x 1/2" (1)*
- D – Arandelas Planas M8 (60)*
- E – Arandelas Planas M10 (6)*
- F – Tuercas Hexagonales M8 (30)*
- G – Arandelas de Presión M8 (4)*
- H – Tuercas Hexagonales 3/8" (4) – *en rodillos*
- J – Arandelas de Presión M10 (4) – *en rodillos*

Asamblea de cono y hardware (Figura 2):

- AA – Soporto
- BB – Cono
- CC – Tornillos de Cabeza Hexagonal M8 x 16 (2)
- DD – Arandelas Planas M8 (2)
- EE – Tuercas Hexagonales M8 (2)
- FF – Tornillos de Cabeza Hexagonal M 6 x 12 (8)
- GG – Tuercas Hexagonales M6 (8)



Figura 1 Contenido de la Bolsa de Partes:

El modelo PM1900-BMHP (Paquete de Partes de la Máquina Base) abarca los accesorios *A-G.

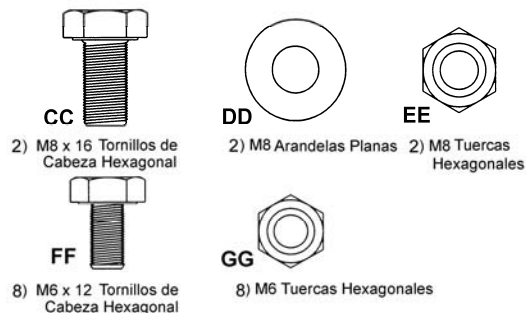
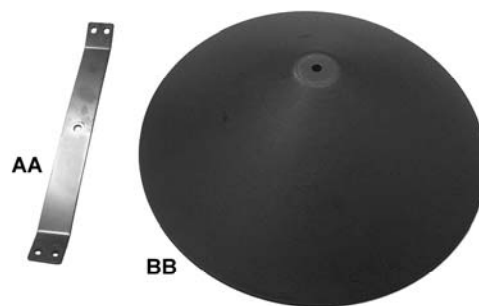


Figura 2: Asamblea de cono y hardware

El modelo DC1100-HP2 (Paquete de hardware de Asamblea de cono) abarca los accesorios *CC-GG.

Herramientas Requeridas para el Montaje

- Llaves boca plana o tubo de 13mm
- Llave de 14mm
- Destornillador Phillips #2
- Llave Allen de 6mm

Montaje de la Máquina Base

⚠ ADVERTENCIA El colector de polvo no debe ser conectado a red de energía eléctrica durante el montaje.

Todas las instrucciones de esta página se refieren a la Figura 3.

Base y Extensiones de Base

1. Fije las extensiones de la base (L) a la base (K) insertando los tornillos de cabeza hexagonal (A) M8x20 a través de los orificios de montaje de extensión (L).
2. Coloque las arandelas planas M8 (D) y las arandelas de presión (G) en los extremos de los tornillos (A) y asegúrelos con las tuercas hexagonales (F), usando las llaves de 13 mm.

Rodillos

1. La tuerca hexagonal (H) de 3/8" y la arandela de presión (J) M10 están preensambladas a cada rodillo (M). A los efectos de transporte, la arandela de presión ha sido colocada debajo de la tuerca hexagonal. Retire la tuerca hexagonal y la arandela de presión del eje del rodillo, reinstale la tuerca hexagonal, luego instale la arandela de presión por encima de la tuerca hexagonal como se muestra.
2. Instale los cuatro rodillos (M) por debajo de la base (K) como se muestra:
3. Enrosque el eje del rodillo en el orificio roscado en la parte de abajo de la base (K), gire el tornillo hasta hacer tope. Ajuste la tuerca hexagonal (H) contra la base con la llave de 14 mm.

Montaje del Motor y el Impulsor

1. Coloque la base con los rodillos sobre el piso.
2. Fije el conjunto del motor y el impulsor (N) a la base (K) usando los 6 tornillos de cabeza hexagonal (A) y las seis arandelas planas (E). Ajustelos manualmente hasta que los tornillos y arandelas queden en su lugar, luego ajuste los tornillos con una llave de 13 mm.
3. Fije la guarda de entrada (O) a la carcasa del impulsor (N), usando 8 tornillos de cabeza cilíndrica plana para brida M6x12.
4. Presione el puerto de entrada (P) en la guarda de entrada (O) hasta que calce en su lugar. Asegure el lugar con tornillos de cabeza cilíndrica para brida.

⚠ ADVERTENCIA Para reducir el riesgo de lesiones por las partes móviles, mantenga siempre el puerto de entrada (P) cubierto con los tapones suministrados, si es que no están conectados con mangueras.

Tubo Conector y Caja del Interruptor

1. Coloque la junta inferior (Q) en la carcasa del impulsor (N). Alinee las clavijas de goma sobre la junta (orientada hacia abajo) con los orificios en la carcasa.
2. Coloque el tubo conector (R) sobre la carcasa del impulsor (N), asegurándose que los orificios correspondientes de las bridas estén alineados.

Nota: Refiérase a la Figura 3 para asegurarse que el tubo conector se encuentre orientado en la dirección apropiada.

3. Inserte un tornillo de cabeza hexagonal M8x20 (A), a través de la arandela M8 (D) y las bridas del tubo conector (R) y la carcasa del impulsor (N).
4. Coloque otra arandela (D) y una tuerca hexagonal (F) en la parte saliente del tornillo (A) y solo ajústela manualmente.
5. Monte la el tablero de control (S) en los dos orificios en la parte frontal de la brida del tubo conector (R).
6. Repita los pasos 3 y 4 para las restantes posiciones de tornillos, ajustándolos a mano solamente.
7. Ajuste todas las Tuerca Hexagonales con una llave de 13 mm.

Carcasas del Colector

Monte la carcasa derecha del colector (V) como se muestra:

1. Coloque la junta superior (T) entre la carcasa del colector (V) y el tubo conector (R). Alinee las clavijas sobre la junta (T) con los orificios de la carcasa (V).
2. Coloque la carcasa del colector (V) sobre el tubo conector (R). Asegúrese de orientar la carcasa del colector apropiadamente- el separador interno debe inclinarse para abajo hacia el centro.
3. Inserte el tornillo (A) a través de la arandela (D), la brida del tubo conector (R) y la brida de la carcasa del tubo conector (V).
4. Coloque otra arandela (D) y una tuerca hexagonal (F) en el extremo saliente del tornillo (A) y ajústela manualmente.
5. Repita los pasos 1 al 4 para los 7 posiciones restantes de los tornillos.
6. Ajuste todos los tornillos y las tuercas hexagonales con una llave de 13 mm.
7. Repita los pasos 1 al 6 para la carcasa izquierda del colector (U).

Barras Soporte

1. Alinee las ranuras de base de la barra soporte (W) con los orificios en la base (K). Inserte los dos tornillos (A) con las dos arandelas planas (D) y solo ajústelas a manualmente.

Nota: Si está usando un Sistema de Filtro Canasta, proceda con los pasos del 2 al 5 como se indican abajo. Si está usando un Sistema de Bolsa Filtro, deje la barra soporte (W) como está, para un montaje posterior y proceda por las "Manijas".

2. Alinee los orificios superiores de la barra de soporte (W) con los orificios posteriores de la carcasa del colector (V) e inserte los dos tornillos (A) y las dos arandelas planas (D).
3. Coloque una arandela (D) con una tuerca hexagonal (F) en el extremo saliente de cada tornillo (A) dentro de la carcasa del colector y solo ajústela a mano.

- Ajuste la parte inferior de la barra soporte (W) tanto como se necesite usando las ranuras, hasta que se encuentre recta. Luego juste los cuatro tronillos en la barra soporte (W).
- Repita el procedimiento para la otra barra soporte.

Manijas

- Retire la placa (Y) de la manija (X) aflojando los dos tornillos de cabeza hueca (Z) con una llave allen de 6 mm.
- Instala la manija (X) en los orificios en la carcasa del colector (U) insertando tornillos de cabeza hueca a través de la manija, la carcasa del colector, y en la placa sobre el lado opuesto. Ajuste los tornillos.

Nota: Asegúrese de que la placa (Y) se encuentre orientada apropiadamente como se muestra en detalle en la Figura 3: Las partes salientes de la placa deberían estar orientadas hacia el extremo opuesto a la manija.

- Instale las otras tres manijas de manera similar. (Dos manijas por cada carcasa.)

Montaje del Cono

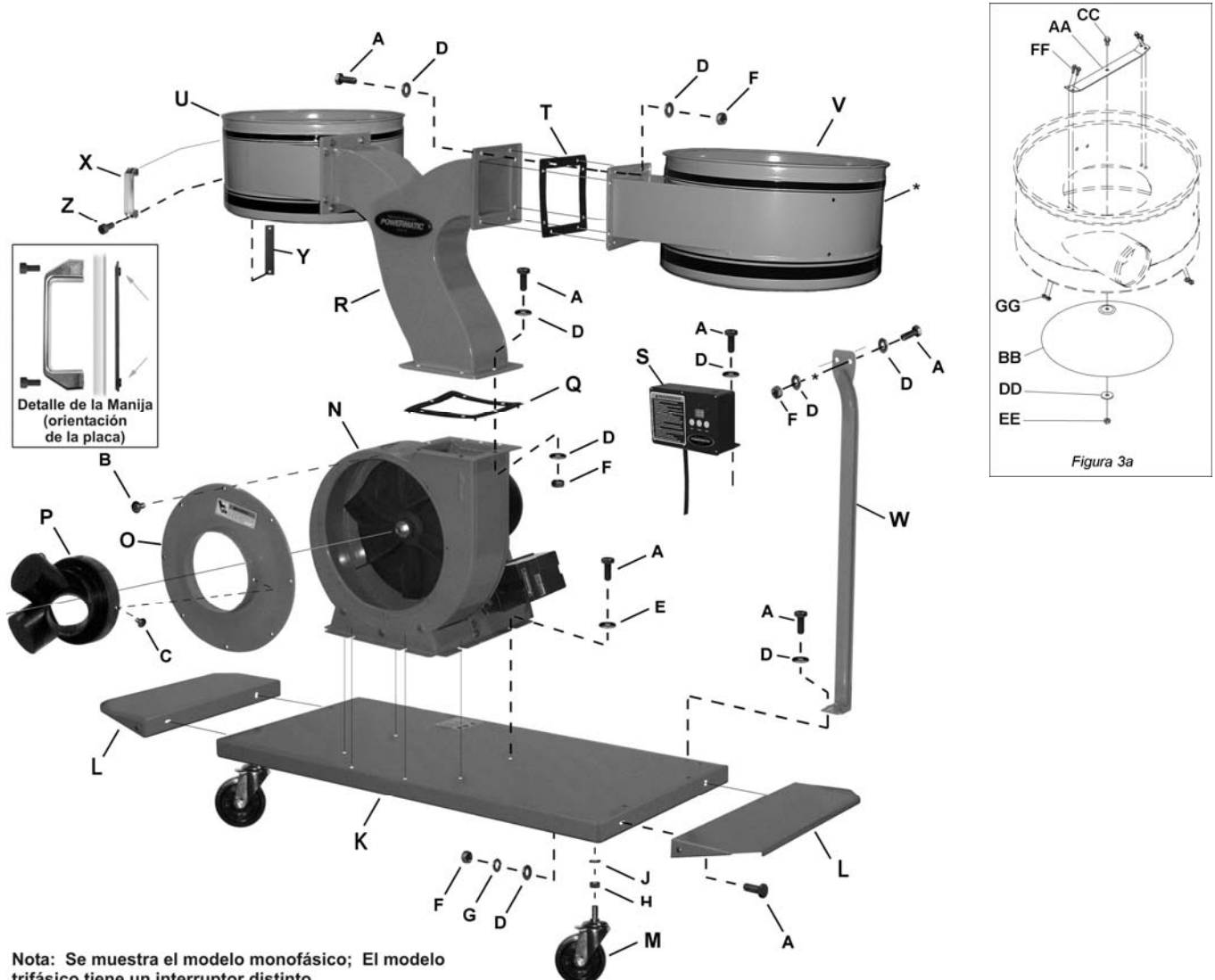
Instalar al ensamblado de cono, como se muestra en la Figura 3a.

- Monte el soporte de apoyo de cono (AA) a la vivienda con cuatro M6x12 tornillos de cabeza hexagonales (FF) y apriete de abajo con cuatro tuercas hexagonales M6 (GG).
- Instale el cono (BB) por debajo de utilizando M8 tuerca hexagonal (EE), arandela plana de M8 (DD) y el M8x16 tornillos de cabeza hexagonal (CC).

Sistema de Filtros

Sí su Sistema Colector de Polvo PM1900TX incluye las bolsas filtro, proceda según la Sección del Montaje del Sistema de Bolsa Filtro en la página 10.

Si su Sistema Colector de Polvo PM1900TX incluye el juego de filtro canasta, proceda según la Sección del Montaje del Sistema de Recipiente Filtro en la página 11.



Nota: Se muestra el modelo monofásico; El modelo trifásico tiene un interruptor distinto

Figura 3: Montaje e Identificación de Partes

Montaje del Sistema de Bolsa Filtro

Nota: Si su Sistema Colector de Polvo incluye el juego de recipiente filtro, proceda según la Sección del Montaje del Sistema de Recipiente Filtro en la página 11.

1. Inserte el soporte sostenedor entre la barra soporte y la carcasa del colector (Fig. 4).
2. Alinee los orificios y asegúrelos con dos tornillos de cabeza hexagonal M8x20 y las dos arandelas planas M8 externamente a la carcasa y dos arandelas planas M8 y dos tuercas hexagonales M8 internamente a la carcasa.



Figura 4

3. Realice todos los ajustes necesarios a la barra soporte, luego ajuste los dos tornillos superiores e inferiores en la barra soporte con dos llaves de 13 mm.
4. Inserte el anillo (Fig. 5) en la bolsa colector en la parte inferior de la carcasa bajo cierto ángulo. Estire hacia abajo esta última sobre la bolsa colector para asegurarse que se "asiente" sobre el borde interno de la carcasa.
5. Posicione la ventana plástica en el frente de modo que pueda ver fácilmente si la bolsa colector está llena.
6. Conecte el sostenedor superior al sostenedor de la barra soporte. (Fig. 6).
7. Deslice el aro de la bolsa filtro sobre el gancho en la parte superior del sostenedor y monte el conjunto del sostenedor sobre el soporte del sostenedor. (Fig. 4). Rote el sostenedor de manera que el gancho en los puntos superiores se oriente hacia la parte del frente de la máquina.
8. Desenrolle las cintas de retención (Figura 6). **PRECAUCIÓN:** Las cintas de retención están

sometidas a cierta tensión. Sostenga a cada una de ellas firmemente mientras las desenrolla.

9. Enrosque la cinta de retención (Figura 6) a través de los aros sobre la bolsa filtro, y asegúrela a la carcasa del colector como se muestra en la Figura 7.



Figura 5

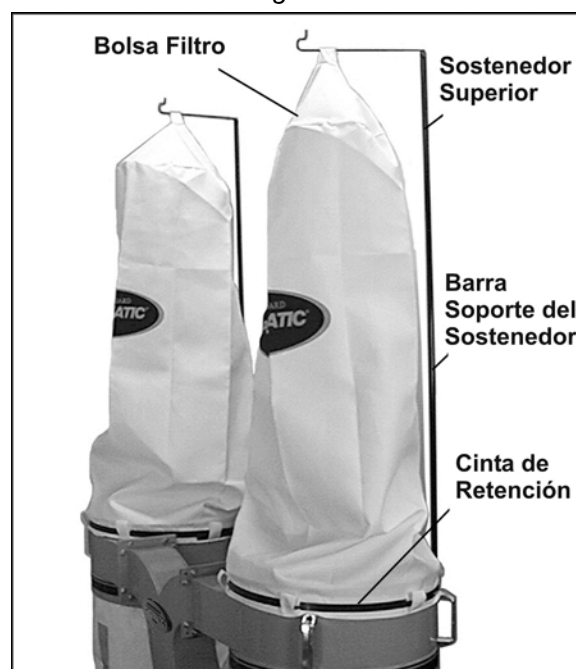
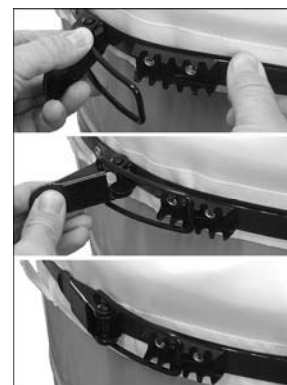


Figura 6

Figura 7
Conexión de la Cinta de Retención
La cinta de retención debería estar ajustada firmemente para proveer una Buena estanqueidad.



Montaje del Sistema de Canasta

(Se requiere una llave de 17mm)

1. Coloque el anillo de retención sobre la parte superior de la bolsa colectora de plástico y doble la bolsa por encima del aro con un excedente de tres pulgadas (Figura 8).



Figura 8

2. Inserte el anillo de retención de la bolsa colectora en la parte inferior de la carcasa bajo un cierto ángulo (Figura 9).
3. Baje el anillo de retención para asegurarse de que se “asiente” sobre el borde interno de la carcasa.

Nota: Asegúrese de que el anillo de retención calce en su lugar en la carcasa, y también que la bolsa plástica tenga un excedente de 3 pulgadas en los bordes de manera que no existan fugas de aire.

4. Retire la manija (Figura 10) de la parte interna del recipiente filtro. Monte la manija sobre el recipiente filtro con dos tuercas hexagonales M10 (A), dos arandelas planas (B) y dos arandela de presión M10 (C). Ordene estos sujetadores de acuerdo a la Figura 10. Ajústelos con una llave de 17 mm.
5. Coloque la canasta sobre la parte superior de la carcasa y empuje hacia abajo para asegurar que el recipiente está asentado sobre la carcasa.
6. Inserte y ajuste las cuatro perillas en los orificios roscados en el recipiente.(Figura 10).

Nota: La etiqueta Powermatic® en el frente del recipiente debería tener un efecto negligible en el flujo de aire. Sin embargo, si se desea un efecto nulo, la etiqueta siempre puede ser removida.



Figura 9



Figura 10

Conexiones Eléctricas

⚠ ADVERTENCIA Las conexiones eléctricas deben ser realizadas por un electricista calificado de conformidad con todas las normativas relevantes. Esta máquina debe ser puesta a tierra apropiadamente para ayudar a evitar las descargas eléctricas y posibles lesiones fatales.

El PM1900TX está equipado ya sea con un motor monofásico de 230 Voltios; o un motor trifásico 230/460 V (cableado para 230 V).

Tenga en mente que un circuito usado por otras máquinas (herramientas, luces, calefactores, etc.) aumentará la carga eléctrica. Por lo tanto, es recomendable que **la máquina monofásica** sea conectada a un circuito de 40 Amp. exclusive con un interruptor o fusible de 40 Amp. Se recomienda que **la máquina trifásica** sea conectada a un circuito exclusivo de 20 Amp. con un interruptor o fusibles. **Las reglamentaciones locales tienen prelación sobre las recomendaciones.**

El collector de polvo trifásico puede cableado nuevamente para una operación a 460 Voltios de la forma siguiente:

Para convertir la tensión de operación de 230 a 460 Voltios:

1. *Desconecte la alimentación de energía eléctrica; desenchufe la máquina.*
2. Conecte los cables del motor como se muestra en el diagrama interno de la caja de conexión del motor; este diagrama también se muestra en la página 20 de este manual.
3. Sustituya el enchufe del cable de alimentación con un enchufe apropiado y listado de UL/CSA de 460 Voltios.
4. Al terminar cable, reinstale la cubierta de la caja de conexión.

Instrucciones de Puesta a Tierra

La máquina debe ser puesta a tierra. En el caso de mal funcionamiento o cortocircuito, la puesta a tierra provee el trayecto de menor resistencia para la corriente eléctrica evitando el riesgo de descarga eléctrica.

La conexión inapropiada del conductor de puesta a tierra puede resultar en un riesgo de descarga eléctrica. El conductor con aislamiento externo verde o verde con franjas amarillas es el conductor de puesta a tierra. Si se requiere de alguna reparación o sustitución del cable o del enchufe, no conecte el conductor de puesta a tierra del equipo a un terminal energizado.

La manguera o ducto usado para conectar la herramienta al collector de polvo también debe tener puesta a tierra.

Asegúrese de que la tensión de su fuente se corresponda con la de sus especificaciones en los datos de placa del colector de polvo.

Verifique con un electricista calificado o personal de servicio si las instrucciones de puesta a tierra no fueron entendidas por completo, o si existe alguna duda sobre la puesta a tierra apropiada de la herramienta.

Repáre o sustituya el cable gastado o dañado de inmediato.

Cables de Extensión

El uso de un cable de extensión no es recomendado, pero sí es necesario, asegúrese de que el calibre sea apropiado para el amperaje listado en los datos de placa del motor. Un cable subdimensionado causará una caída de tensión resultando en una falta de potencia y sobrecalentamiento.

Use la tabla de la Figura 11 muestra una guía general para la elección del tamaño correcto del cable. En caso de dudas use el calibre inmediato superior. Cuando más pequeño es el número de calibre, mayor es la sección del cable.

Amperes	Long. Del Cable de Extensión *					
	25 Pies	50 Pies	75 Pies	100 Pies	150 Pies	200 Pies
< 5	16	16	16	14	12	12
5 a 8	16	16	14	12	10	NR
8 a 12	14	14	12	10	NR	NR
12 a 15	12	12	10	10	NR	NR
15 a 20	10	10	10	NR	NR	NR
21 a 30	10	NR	NR	NR	NR	NR

*basado en el criterio del límite de la caída de tensión de 5V a 150% de la carga nominal.

NR: No Recomendado

Figura 11

Operación de la Máquina

Modelos Trifásicos: Conecte el collector de polvo a la fuente de energía eléctrica y use la botonera industrial para operar la máquina.

Modelos Monofásicos: Si existe potencia fluyendo a la máquina, un indicador verde se encenderá en la parte del frente del panel de control. Para operar la máquina, use las botones del panel de control, o use el control.

Si se emplea el control remoto, apunte al panel de control. La máquina permanecerá en marcha hasta que el botón de OFF (Apagado) sea presionado. La pantalla digital mostrará 00 mientras se encuentre en marcha.

El control remoto opera con dos pilas AAA. Estas precisarán recambio periódicamente.

NOTA: Este sensor infrarrojo del colector del polvo tiene un ángulo de línea de vista a 120°. Vea la Figura 12. Fuera de este ángulo, el control remoto puede no ser efectivo.

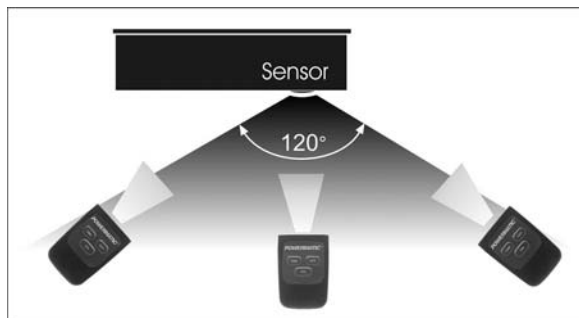


Figura 12

Ajuste del Temporizador (Modelos Monofásicos)

Mientras la máquina se encuentre en funcionamiento, presión el botón de TIME para activar el temporizador. Cada vez que el botón es presionado y liberado, el tiempo de marcha es incrementado en un minuto en la pantalla digital y puede ser ajustado hasta 99 minutos.

Si el botón de tiempo es presionado y sostenido, el tiempo variará hasta alcanzar 99 minutos, empezando nuevamente en 00. Suelte el botón cuando se alcanzó el tiempo deseado. El colector de polvo funcionará durante el tiempo configurado en la pantalla digital. Si por ejemplo, Usted varia ajusta tiempo pasando 99 y suelta el botón en 10, la máquina funcionará durante diez minutos y no 110 minutos.

Si es presionado el botón de OFF (Apagado) mientras la máquina se encuentra en funcionamiento con el temporizado activado, la máquina se apagará y el temporizador será desactivado; es decir, cuando la máquina es reiniciada, el temporizado debe ser reiniciado.

Conexión del Colector de Polvo a la Máquina

Use el ducto apropiado para conectar el colector de polvo a la máquina en operación.

El ducto para secadores no es aceptable para este propósito. Contacte a su distribuidor de Powermatic más cercano para acceder a la línea completa de ductos y accesorios del colector de polvo. Usted puede optimizar su instalación y obtener el máximo desempeño con protectores contra polvo, mangueras, abrazaderas, accesorios y puertas contra ráfagas.

Mantenimiento

ADVERTENCIA Nunca realice labores de mantenimiento en esta máquina antes de de apagarla y desconectarla de la red de

energía eléctrica. La no observación de esta pauta podría causar serias lesiones!

Limpieza de las Bolsas Filtro

PRECAUCION El uso de una mascarara de para particulados o un respirador para la protección contra las partículas pequeñas durante la limpieza es altamente recomendado.

Durante su primer uso y después de la limpieza las bolsas filtro podrían dejar escapar algo de polvo. Esto es normal y cesará luego de un breve período de tiempo.

Limpie frecuentemente ambos, el filtro y las bolsas colectoras para mantener el óptimo desempeño del colector. Para limpiar:

1. Desconecte la máquina de la red de energía eléctrica.
2. Descuelgue la bolsa filtro del sostenedor. Sacuda la bolsa de manera que gran parte del polvo caiga en la bolsa colectoras.
3. Afloje el anillo de retención y retire la bolsa filtro de la carcasa.
4. Invierta la parte interna de la bolsa hacia afuera y límpiela.
5. Invierta nuevamente la parte interna de la bolsa para adentro y fíjela nuevamente a la carcasa usando el anillo de retención para asegurar la bolsa.

Extracción de las Bolsas Colectoras

1. Desconecte la máquina de la red de energía eléctrica.
2. Retire la bolsa colectoras presionando el anillo de la bolsa colectoras hacia arriba y estirando la bolsa hacia afuera bajo un cierto ángulo.
3. Vacíe el contenido de la bolsa en un recipiente apropiado.
4. Invierta la parte interna de la bolsa hacia afuera y límpiela.
5. Invierta nuevamente la parte interna de la bolsa para adentro e insértela en la carcasa.

Limpieza de los Filtros Canasta

Limpie frecuentemente los filtros canasta para conservar el óptimo desempeño del colector. Para limpiar el filtro, gire la manija un par de vueltas para que el polvo caiga en la bolsa de plástico. Disponga apropiadamente la bolsa de plástico.

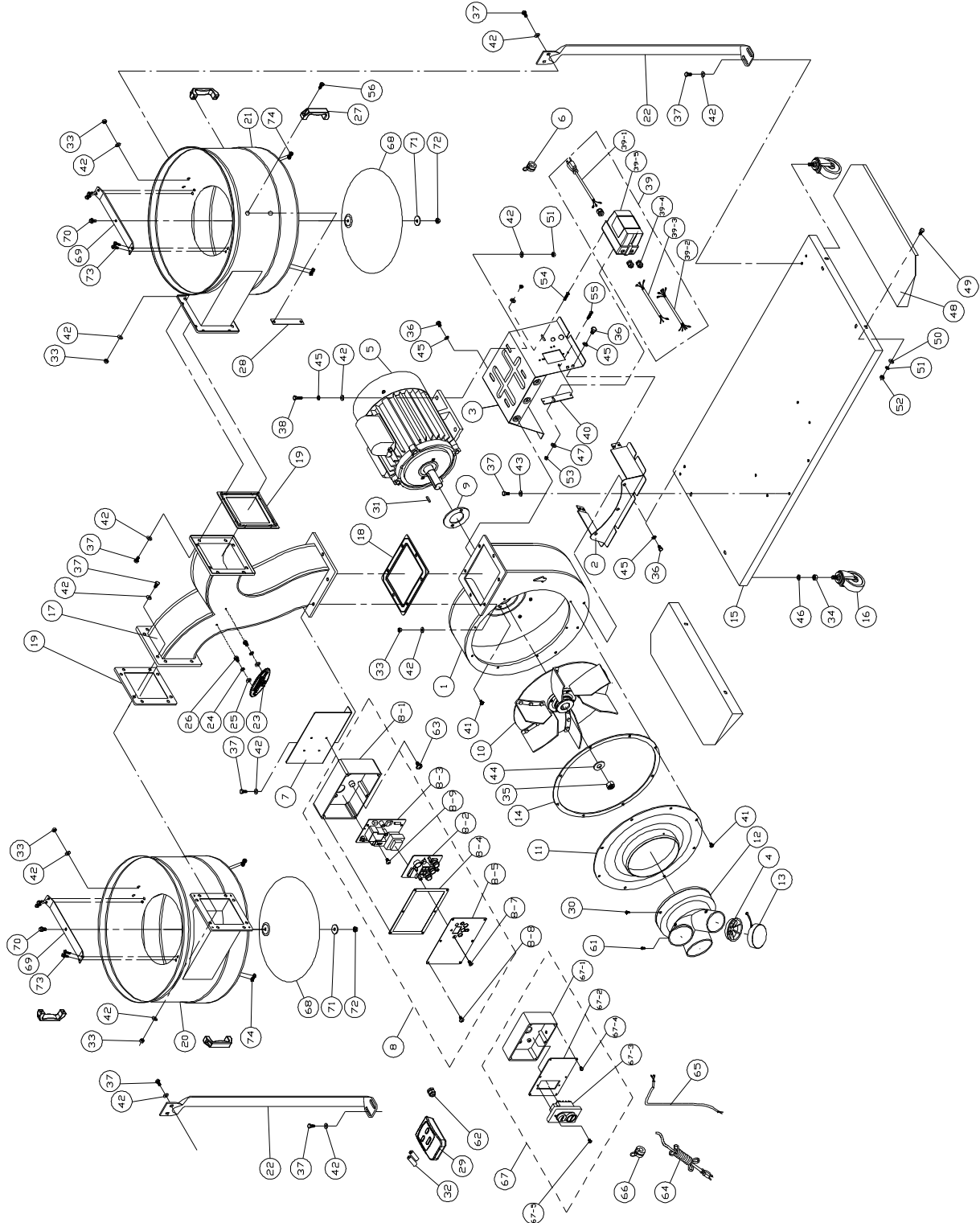
Motor

Realice inspecciones frecuentes al ventilador del motor y sople (con una línea de aire de baja presión) o aspire cualquier acumulación de material extraño de manera a mantener la ventilación normal del motor.

Partes de Repuesto

Las partes de repuestos son listadas en las páginas siguientes. Para ordenar los repuestos o contactar con nuestro departamento de servicio, llame al 1-800-274-6848 de Lunes a Viernes (vea nuestra página Web en relación a nuestro horario de atención www.powermatic.com) Tenga su número de modelo y de serie disponibles al llamarnos, eso nos permitirá ayudarle rápidamente y con exactitud.

Despiece del Colector de Polvo PM1900TX (Máquina Base)



Lista de Partes para el Colector de Polvo PM1900TX (Máquina Base)

Nro. de Lista.	Parte Nro.	Descripción	Tamaño	Cantidad
1	PM1900-101	Carcasa del Impulsor		1
2	PM1900-102	Soporte de la Carcasa del Impulsor		1
3	PM1900-103-1	Soporte del Motor	1Ø	1
	PM1900-103-3	Soporte del Motor	3Ø	1
4	PM1300-151	Guarda de Entrada		3
5	PM1900-105-1	Motor	3HP, 230V, 1Ø	1
	PM1900-105-1MF	Ventilador del Motor (no se muestra)		1
	PM1900-105-1MFC	Cubierta del Ventilador del Motor (no se muestra)		1
	PM1900-105-1SC	Capacitor de Arranque (no se muestra)	600mF, 125VAC	1
	PM1900-105-1RC	Capacitor de Marcha (no se muestra)	50µF, 250VAC	2
	PM1900-105-1CS	Interruptor Centrífugo (no se muestra)		1
	PM1900-105-3	Motor	3HP, 230/460V, 3Ø	1
	PM1900-105-1MF	Ventilador del Motor (no se muestra)		1
	PM1900-105-1MFC	Cubierta del Ventilador del Motor (no se muestra)		1
6	998630	Dispositivo de Alivio de Tensión	7P-2	1
	709421	Dispositivo de Alivio de Tensión	M20 (para 3Ø)	1
7	PM1900-107	Placa de Montaje		1
8	PM1900-108	Conjunto del Interruptor a Control Remoto	Para 3HP, 230V, 1Ø	1
8-1	DCRC-108	Caja del Interruptor		1
8-2	PM1900-108-2	Placa de Circuito		1
8-3	PM1900-108-3	Interruptor Digital		1
8-4	DCRC-104	Sello		1
8-5	DCRC-103	Placa del Interruptor		1
8-6	PM1900-108-6	Tornillo de Cabeza Redonda	M5x8	4
8-7	DCRC-102	Tornillo de Cabeza Plana	1/8" x 1/4"	3
8-8	ST039304	Tornillo roscador	M3.5x12(AB)	6
8-9	DCRC-111	Tornillo roscador	M4x10	1
	PM1900-108-10	Etiqueta de Pantalla (no se muestra)		1
9	420051	Junta del Motor		1
10	431006	Impulsor	Diam. 14"	1
11	PM1900-111	Guarda de Entrada	8"	1
12	499025	Puerto de Entrada	3 @ 4"	1
13	420203	Tapón de Entrada		2
14	431034	Junta de Goma		1
15	PM1900-115	Base		1
16	402036	Rodillo		4
17	PM1900-117	Tubo Conector		1
18	430035	Junta de Goma		1
19	430036	Junta de Goma		2
20	PM1900-120	Carcasa Izquierda		1
21	PM1900-121	Carcasa Derecha		1
22	PM1900-122	Barra Soporte		2
23	PWBS14-254SN	Placa de Datos pequeña POWERMATIC		1
24	TS-2361061	Arandela de Presión	M6	2
25	TS-1550041	Arandela Plana	M6	2
26	6715154	Tornillo de Cabeza Hexagonal	1/4-20 x 3/8	2
27	PM1900-127	Manija		4
28	PM1900-128	Placa de Fijación		4
29	PM1900-129	Control Remoto		1
	PM1900-129-1	Etiqueta de Control Remoto (no se muestra)		1
30	990855	Tornillo de Cabeza Cilíndrica	3/16 x 1/2	1
31	992021	Chaveta	7x7x20	1
32		Pila (adquisición local)	AAA	2
33	TS-1540061	Tuerca Hexagonal	M8	30
34	TS-0561031	Tuerca Hexagonal	3/8-16	4
35	TS-0561072	Tuerca Hexagonal	5/8-18 UNF	1
36	TS-1490011	Tornillo de Cabeza Hexagonal	M8x12	10

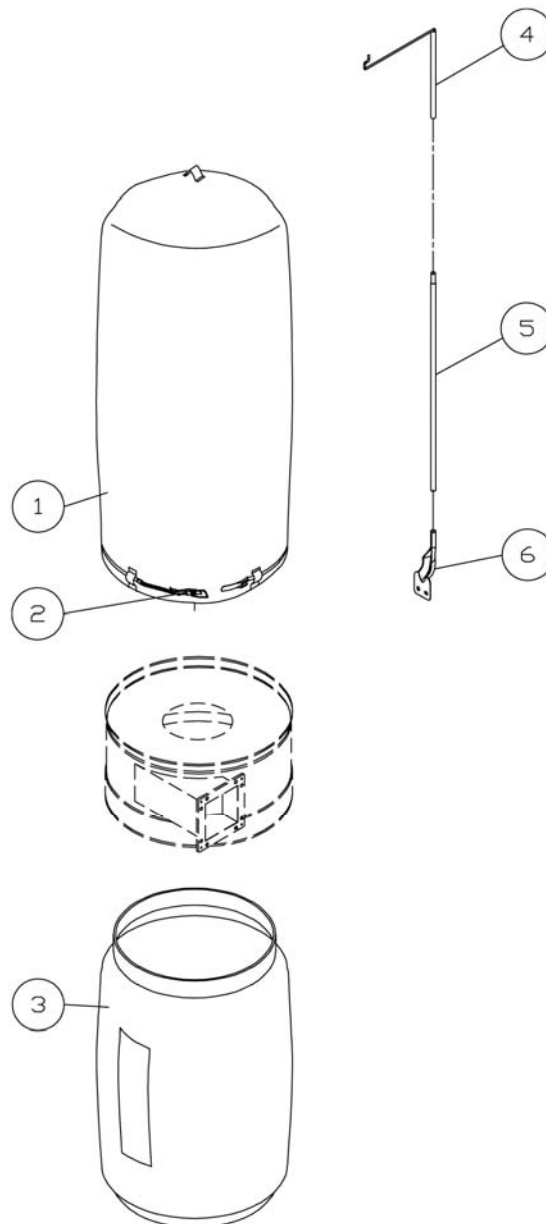
Nro. de Lista.	Parte Nro.	Descripción	Tamaño	Cantidad
37	TS-1490031	Tornillo de Cabeza Hexagonal	M8x20	36
38	TS-1490041	Tornillo de Cabeza Hexagonal	M8x25	4
39	PM1900-139	Interruptor Magnético	Para 3HP, 230V, 1Ø	1
39-1	PM1900-139-1	Cable de Alimentación	14AWG x 3C	1
39-2	PM1900-139-2	Cable del Motor	14AWG x 3C	1
39-3	PM1900-139-3	Cable del Interruptor	14AWG x 3C	1
40	PM1900-140	Placa de Fijación		1
41	SF069300	Tornillo de Cabeza Cilíndrica	M6x12	10
42	TS-1550061	Arandela Plana	M8	64
43	TS-1550071	Arandela Plana	M10	6
44	TS-155010	Arandela Plana	M16	1
45	TS-2361081	Arandela de Presión	M8	14
46	TS-2361101	Arandela de Presión	M10	4
47	TS-1550031	Arandela Plana	M5	2
48	PM1900-148	Extensión de Base		2
49	TS-1490031	Tornillo de Cabeza Hexagonal	M8x20	4
50	TS-1550061	Arandela Plana	M8	4
51	TS-2361081	Arandela de Presión	M8	4
52	TS-1540061	Tuerca Hexagonal	M8	4
53	TS-1540031	Tuerca Hexagonal	M5	2
54	TS-1533042	Tornillo de Cabeza Redonda	M5x12	2
55	PM1900-108-6	Tornillo roscador	M5x8	2
56	TS-1504021	Tornillo de Cabeza Hueca	M8x12	8
61	990855	Tornillo de Cabeza Cilíndrica	3/16 x 1/2	1
62	709421	Dispositivo de Alivio de Tensión	M20	1
63	DCRC-111	Tornillo roscador	M3.5x10(AB)	6
64	IC411007	Cable de Alimentación	14AWG x 4C 600V (p/ 3HP, 3Ø)	1
65	IM411007	Cable del Motor	14AWG x 4C 600V (p/ 3HP, 3Ø)	1
66	709421	Dispositivo de Alivio de Presión	M20	1
67	PM1900-160	Conjunto Interruptor	Para 3HP, 230/460V, 3Ø	1
67-1	PM1900-160-1	Caja del Interruptor		1
67-2	PM1900-411057	Placa del Interruptor		1
67-3	PM1900-994507	Botonera de Conmutación	3HP 230/460V 3Ø	1
67-4	ST039304	Tornillo roscador	M3.5x12	6
67-5	JJ6HH-348	Tornillo de Cabeza Redonda	M4x25	2
68	PM1300-155	Cono		2
69	DC1100-47-1	Soporto		2
70	TS-1490021	Tornillo de Cabeza Hexagonal	M8x16	2
71	TS-1550061	Arandela Plana	M8	2
72	TS-1540061	Tuerca Hexagonal	M8	2
73	TS-1482021	Tornillo de Cabeza Hexagonal	M6x12	8
74	TS-2311061	Tuerca Hexagonal	M6	8
	PM1300-162	Powermatic Turbocone Etiqueta (no se muestra) 2-3/4 x 8"		1
	PM1900-BMHP	Paquete de Partes de la Máquina Base (no se muestra)*		1
	PM1900-BEHP	Paquete de Partes de la Extensión de la Base (no se muestra)**		1
	DC1100-HP2	Paquete de Partes de la Cono Conjunto (a las partes# 70 a 74)		2

* El Paquete de Partes de la Máquina Base incluye a las partes # 30, 33, 37, 41, 42 y 43.

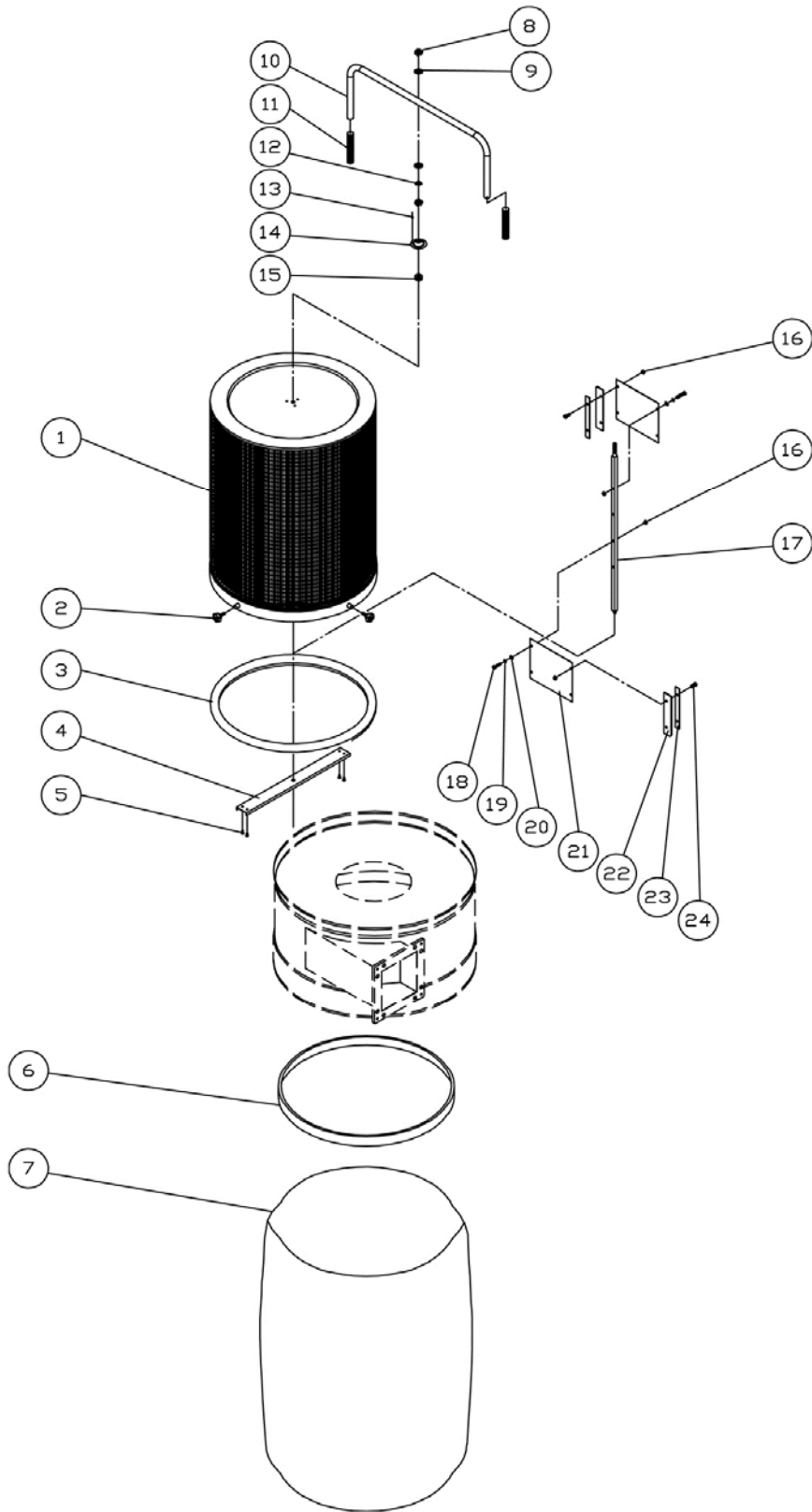
** El Paquete de Partes de la Extensión de la Base incluye a las partes # 49 a 52.

Lista de Partes y Despiece del Sistema de Bolsa Filtro para el PM1900TX

Nro. de Lista.	Parte Nro.	Descripción	Tamaño	Cantidad
.....	1791075B	Sistema de Colección y Bolsa Filtro (incluye #1 al 6)	1
1.....	1791075F	Bolsa Filtro	30 micras	2
2.....	430005	Anillo de Retención	2
3.....	708699A	Bolsa Colectora	2
4.....	430039	Sostenedor Superior	2
5.....	430037	Barra Soporte	2
6.....	523011	Soporte Sostenedor	2



Despiece del Sistema Recipiente Filtro PM1900TX



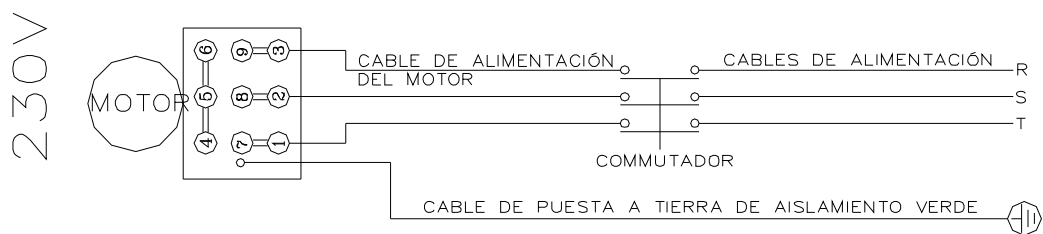
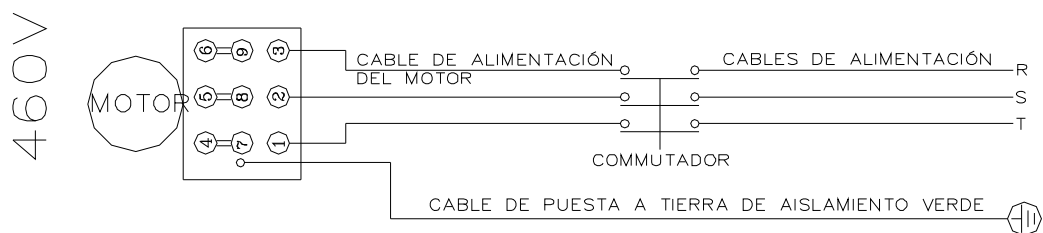
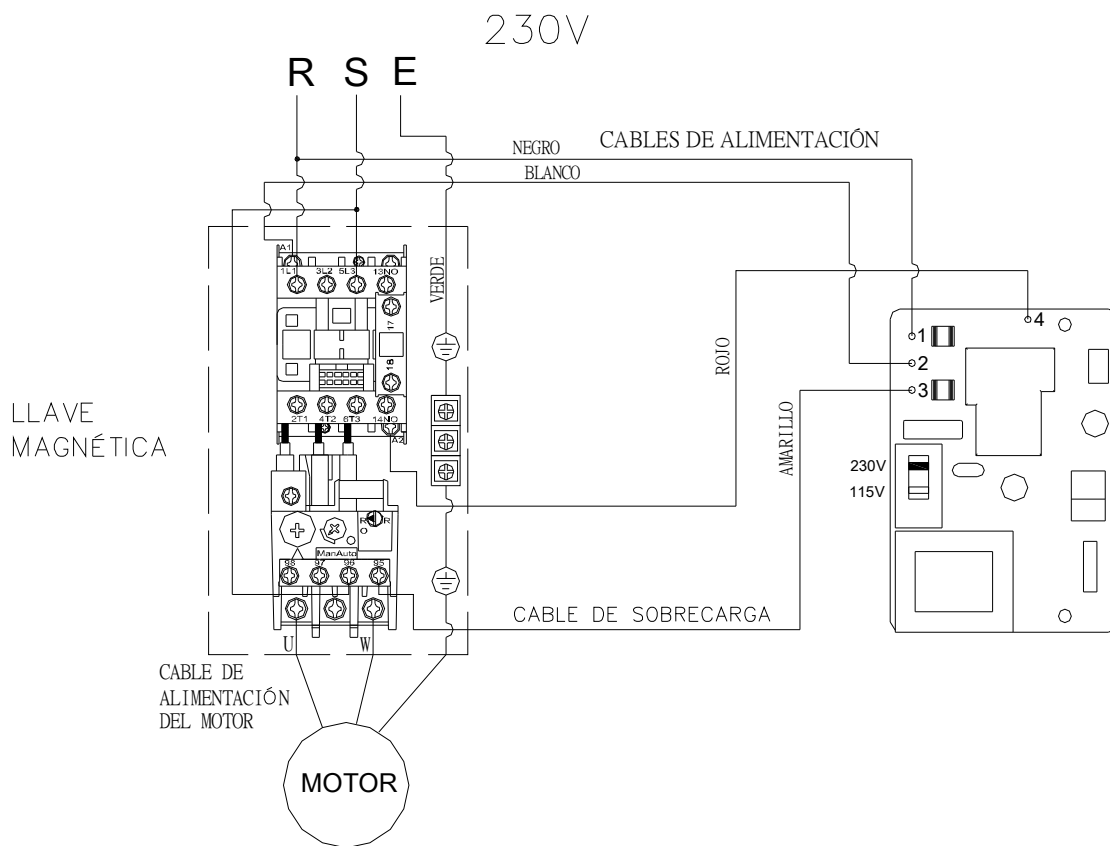
Lista de Partes para el Sistema de Filtro Canasta del PM1900TX

Nro. de Lista.	Parte Nro.	Descripción	Tamaño	Cantidad
.....	1791086.....	Sistema de Recipiente Filtro (incluye #1 a 24)		2
1.....	PM1900-301	Recipiente Filtro		1
2.....	PM1900-302	Perilla.....	M6x20	4
3.....	331031	Espaciador		1
4.....	331009	Soporte		1
5.....	ST049200	Tornillo roscador.....	M4x8	4
6.....	331038	Anillo de Retención.....		1
7.....	1791087.....	Bolsa Plástico Colectora (Juego de 5)	800x1050x0.1t mm.	1
8.....	TS-1540071	Tuerca Hexagonal	M10.....	2
9.....	TS-1550071	Arandela Plana	M10.....	2
10.....	331050	Manija		1
11.....	331051	Manija de Empuñadura Suave.....		2
12.....	TS-2361101	Arandela de Presión	M10.....	1
13.....	BR000052.....	Remache.....	5-2.....	3
14.....	331014	Soporte		1
15.....	150623	Soporte de Goma		1
16.....	TS-1540041	Tuerca Hexagonal	M6.....	8
17.....	331052	Eje.....		1
18.....	TS-1482041	Tornillo de Cabeza Hexagonal.....	M6x20	4
19.....	TS-2361061	Arandela de Presión	M6.....	4
20.....	TS-1550041	Arandela Plana	M6.....	4
21.....	331012	Raspador		2
22.....	331017	Placa.....		2
23.....	331015	Placa.....		2
24.....	TS-1482021	Tornillo de Cabeza Hexagonal.....	M6x12	4
.....	PM1300-PLO.....	Etiqueta de POWERMATIC (no se muestra).....	óvalo 5-1/2x14.....	1
.....	PM1900-CHP.....	Paquete de Partes del Recipiente (no se muestra) *		1

* El Paquete de Partes del Recipiente incluye las partes # 2, 8, 9 y 12.

Conexiones Eléctricas

Los trabajos de montaje e instalación eléctrica deben ser realizados por personal (es) calificado (s) de acuerdo con todas las reglamentaciones y normativas, incluyendo las de protección contra incendios.



POWERMATIC®

Instructions et manuel des pièces détachées Dépoussiéreur *PM1900TX*

Maintenant avec



PM1900TX avec trousse de sac filtrant (1792071K) PM1900TX avec trousse de boîte filtrante (1792072K)



Powermatic
427 New Sanford Road
LaVergne, TN 37086
Tél. : 800-274-6848
www.powermatic.com

Pièce N°. M-1792071
Révision A4 01/2014
Copyright © 2014 Powermatic

Garantie et entretien

Powermatic garantit tous les produits qu'ils vendent contre les défauts de fabrication. Si l'un de nos outils nécessite un entretien ou des réparations, veuillez contactez le Service technique en appelant le 1-800-274-6846, 8AM à 5PM CST, du lundi au vendredi.

Période de garantie

La garantie générale dépend de la durée indiquée dans les brochures incluse avec votre produit ou sur le site officiel de la marque Powermatic.

- Les produits Powermatic ont une garantie limitée qui varie en fonction du produit. (Voir le tableau ci-dessous.)
- Accessoires comportent une garantie limitée d'un an à partir de la date de réception.
- Les pièces d'usure sont définies comme des pièces ou des accessoires prévus pour devenir inutilisable dans un délai raisonnable de l'utilisation durables et sont couverts par une garantie limitée de 90 jours contre les défauts de fabrication.

Qui est ce qui est Couvert

Cette garantie ne couvre que le premier acheteur du produit de la date de livraison.

Qu'est ce qui est Couvert

Cette garantie couvre tous les défauts de fabrication ou les matériaux, sous réserve des limitations indiquées ci-dessous. Cette garantie ne couvre pas les pannes causées directement ou indirectement par la mauvaise utilisation, la manipulation, la négligence ou les accidents, la dégradation personnelle, la mauvaise réparation, les altérations ou le manque d'entretien.

Limites de garantie

Les produits servant à des fins commerciales, industrielles ou éducatives bénéficient plutôt d'un an de garantie. S'il vous plaît contacter le service technique au 1-800-274-6846 pour de plus amples précisions.

Comment Obtenir un Support Technique

S'il vous plaît contacter le service technique en appelant 1-800-274-6846. S'il vous plaît noter que vous serez invité à fournir la preuve de l'achat initial lors de l'appel. Si un produit nécessite une inspection plus poussée, le représentant de service technique vous expliquera et vous aider à toute mesure supplémentaire nécessaire. Powermatic dispose de centres de service autorisés répartis à travers les États-Unis. Pour obtenir le nom du centre d'entretien agréé de votre région, appelez le 1-800-274-6846 ou utilisez le localisateur de centre de Service sur le site Web de Powermatic.

Plus d'informations

Powermatic ajoute constamment de nouveaux produits. Pour obtenir des informations complètes et actuelles, contactez le fournisseur de votre localité, ou visitez le Powermatic officiel marque site web.

Réglementation en Vigueur

Cette garantie vous donne des droits légaux spécifiques, sous réserve de la législation applicable de l'État.

Limites de la Garantie

POWERMATIC LIMITE TOUTES LES GARANTIES IMPLICITES À LA PÉRIODE DE LA GARANTIE LIMITE DE CHAQUE PRODUIT. TOUTES GARANTIES TACITES OU CONCERNANT L'ADAPTATION À LA COMMERCIALISATION OU L'UTILISATION À UN USAGE PARTICULIER SONT EXCLUES. CERTAINS ÉTATS NE PERMETTENT PAS DE LIMITES SUR LA DURÉE DE LA GARANTIE IMPLICITE, LA LIMITATION CI-DESSUS POURRAIT PAR CONSÉQUENT NE PAS VOUS CONCERNER.

POWERMATIC N'EST EN AUCUN CAS RESPONSABLE DE LA MORT, DES BLESSURES CORPORELLES OU DES DÉGÂTS MATÉRIELS MINEURS, CONTINGENTS, SPÉCIAUX, OU MAJEURS PROVOQUÉS PAR L'UTILISATION DE NOS PRODUITS. CERTAINS ÉTATS N'AUTORISENT PAS DE LIMITATIONS AU SUJET DES DOMMAGES CONSÉCUTIFS. PAR CONSÉQUENT, LES LIMITATIONS CI-DESSUS POURRAIENT NE PAS S'APPLIQUER À VOUS.

Powermatic vend ses produits à travers les fournisseurs ne. Les spécifications mentionnées dans le Powermatic documents imprimés et sur Powermatic officielle sites de marque sont donnés à titre d'information générale et ne sont pas contraignantes. Powermatic se réserve le droit de destruction en tout temps, sans avis préalable, des pièces, des installations et des équipements accessoires qu'ils jugeraient nécessaire pour quelle que raison.

Liste des produits de la période de garantie

90 jours – Pièces; Les pièces d'usure
1 An – Motors; Accessoires de machines;
2 An – Machines à bois utilisé à des fins industrielles ou commerciales
5 An – Machines à bois

NOTE: Powermatic est une division de JPW Industries, Inc.. Référence dans le présent document à Powermatic s'appliquent également aux JPW Industries, Inc., ou de ses ayants droit pour les marques Powermatic.

Table des matières

Garantie et entretien	2
Table des matières	3
Avertissement.....	4
Introduction	6
Spécifications	6
Déballage.....	7
Contenu du conteneur d'expédition	7
Montage de l'engin de base	8
Socles et extensions	8
Roulettes	8
Montage du moteur et de l'agitateur	8
Tube et boîte de commutateur de connecteur.....	8
Boîtiers de collecteur.....	8
Barres de fixation	8
Manches.....	9
Cône Installation	9
Système de filtre	9
Montage du système de sac-filtre	10
Montage du système de boîte de filtrage.....	11
Connexions électriques	12
Rallonges.....	12
Utilisation de la machine	12
Réglage de la minuterie (Modèle monophasés).....	13
Connexion d'un dépoussiéreur à une machine	13
Maintenance.....	13
Nettoyage de sacs-filtres.....	13
Retrait des sacs du collecteur.....	13
Nettoyage des filtres de la boîte de filtrage	13
Moteur	13
Pièces de rechange	14
Pannes du dépoussiéreur PM1900TX (Machine de base)	14
Liste de pièces du dépoussiéreur PM1900TX (Machine de base)	15
Liste et pannes de pièces du système de sac-filtre du modèle PM1900TX.....	17
Panne du système de filtre de boîte de filtrage du modèle PM1900TX	18
Liste de pièces du système de filtre de boîte de filtrage du modèle PM1900TX.....	19
Connexions électriques	20



Avertissement

1. Lisez et comprenez entièrement le manuel d'utilisation avant toute tentative d'assemblage ou d'exploitation.
2. Lisez et comprenez les avertissements affichés sur la machine et figurant dans le manuel. Le non respect des tous ces avertissements peut causer de sérieux dégâts.
3. Remplacez les étiquettes d'avertissements si elles deviennent floues ou s'arrachent.
4. Cette dresseuse est conçue et réservée pour l'utilisation exclusive par un personnel qualifié et expérimenté. Si vous ne maîtrisez pas bien la manipulation d'une dresseuse, ne l'utilisez pas avant d'avoir suivi une formation et obtenu une connaissance adéquates.
5. N'utilisez pas cette dresseuse à d'autres fins que celles indiquées. Dans le cas contraire, Powermatic refuse toute garantie soit elle réelle ou tacite. En outre, le groupe décline sa responsabilité face à tout dommage encouru du fait de la mauvaise utilisation.
6. Mettez toujours des verres ou un masque de protection lors de l'utilisation de la dresseuse. Les lunettes ordinaires ont certes des verres résistants, mais ne sont pas des lunettes de protection.
7. Éloignez les cheveux, les vêtements amples, les doigts et toutes les parties du corps des pièces à ouverture automatique et mobiles.
8. Mettez des protège-oreilles (bouchon et manchon) lors des opérations prolongées.
9. La poussière provenant du ponçage mécanique, du sciage, de l'aiguillage, du perçage et d'autres travaux de construction contient des substances chimiques pouvant causer des cancers, des anomalies congénitales ou d'autres troubles de reproduction. Quelques unes de ces substances :
 - Le plomb provenant des peintures à base de plomb.
 - Le silice cristalline provenant des briques, du ciment et autres produits de maçonnerie.
 - L'arsenic et le chrome provenant du bois de sciage.

Vos risques d'exposition varient en fonction de la fréquence d'exécution de ce type de travail. Afin de réduire votre exposition à ces substances, travaillez dans un endroit bien aéré et faites-le avec des équipements de sécurité prescrits, à l'instar des masques contre la poussière ou des protecteurs faciaux conçus exclusivement pour le filtrage des particules microbiennes.

10. Ne manipulez pas cette machine lorsque vous êtes fatigué ou sous l'effet des drogues, de l'alcool ou d'un médicament.
11. Rassurez-vous que la prise se trouve à l'état éteint avant de connecter la machine. Arrêtez toutes les commandes avant de débrancher.
12. Rassurez-vous que la machine est correctement implantée au sol. Connecter uniquement à une prise mise à la terre de manière appropriée.
13. Effectuez tous les ajustements ou la maintenance pendant que la machine est débranchée.
14. Retirez les clés d'ajustement. Ayez le réflexe de toujours vérifier si les clés d'ajustement sont retirées avant de mettre la machine en marche.
15. Mettez les étriers de protection en place à tout moment au cours du fonctionnement de la machine. Si vous les enlevez pour des raisons d'entretien, remettez-les immédiatement avec beaucoup de précaution à la fin de l'entretien.
16. Contrôlez les pièces endommagées. Avant de continuer à utiliser la machine, un étrier ou toute autre pièce endommagée doivent faire l'objet d'un examen minutieux afin de savoir s'ils pourront effectivement fonctionner et assumer la fonction qui leur est assignée. Vérifiez l'alignement et la fixation des pièces amovibles, leur cassure, leur montage ainsi que toute autre condition susceptible d'entraver le fonctionnement de la machine. Un étrier ou toute autre pièce endommagée doivent être soigneusement réparés ou remplacés.
17. Cherchez un endroit spacieux et un éclairage anti-reflet et zénithal.
18. Le sol autour de la machine doit être propre et épargné des débris comme la graisse et l'huile.
19. Laissez vos visiteurs loin du lieu du travail. **Éloignez les enfants.**
20. Mettez votre atelier à l'abri des enfants installant des cadenas, des interrupteurs généraux, ou en enlevant les clés de contact.
21. Accordez toute l'attention à votre travail. Le fait de regarder à côté, d'entreprendre une conversation ou de se lancer dans un jeu hasardeux sont autant d'actes à même de causer de sérieux dégâts.



Avertissement

22. Pour minimiser les risques de commotion électrique, n'utilisez pas la machine en plein air ou sur des surfaces mouillées.
23. N'utilisez le dépoussiéreur que pour la poudre de bois. Les matières telles que les liquides, les arasages de métal, la poussière de métal, les vis, le verre, le plastique et la roche sont susceptibles de provoquer des étincelles et/ou causer des dommages s'ils entrent en contact avec une partie du dépoussiéreur.
24. Ne ramassez aucun objet qui brûle ou qui fume, à l'instar des cigarettes, des allumettes ou de la cendre chaude.
25. N'utilisez pas le collecteur pour ramasser des liquides inflammables ou combustibles à l'instar de l'essence et ne l'utilisez pas dans des endroits où ces liquides sont présents.
26. Ne le tirez pas et n'utilisez pas le cordon pour le soulever ou comme manche, ne fermez pas la porte sur le cordon et ne tirez pas ce dernier autour des bords ou des coins tranchants. N'utilisez pas le dépoussiéreur au dessus du cordon. Éloignez le cordon des surfaces réchauffées.
27. Ne pas utiliser ce collecteur de poussière avec un cordon endommagé ou une fiche endommagée.
28. Ne débranchez pas le dépoussiéreur en le tirant sur le cordon. Pour débrancher, tenez fermement la prise et non le cordon.
29. N'utilisez pas le dépoussiéreur tant que le sac à poussière et/ou les filtres ne sont pas en place.
30. Ne pas manipuler la fiche ou la machine avec des mains mouillées.
31. Ne mettez pas d'objets dans les ouvertures. N'utilisez pas la machine pendant que l'une des ouvertures est bloquée, n'admettez pas que la poussière, la peluche, les cheveux ou toute chose pouvant entraver la circulation de l'air s'y incruste.
32. Ne manipulez pas la machine sans connecter un flexible sur la sortie. Pièces mobiles à risque à l'intérieur. Débranchez avant de retirer la sortie ou la protection de la sortie.
33. Utilisez des accessoires recommandés car l'utilisation des accessoires autres que ceux-ci peut causer des dégâts.
34. Entretenez les accessoires avec précaution. Suivez les instructions relatives à la lubrification et au changement des accessoires.
35. Désactivez la machine de déconnectez l'alimentation avant le nettoyage. Servez-vous d'une brosse ou de l'air comprimé pour enlever les copeaux ou les débris - ne le faites pas avec vos mains.
36. Ne pas maintenir la machine branchée. Débranchez-là de la prise lorsqu'elle n'est pas utilisée et avant l'entretien.
37. Ne vous tenez pas debout sur la machine. D'importants dégâts peuvent être orchestrés si la machine bascule.

Familiarisez-vous avec les notices de sécurité suivantes utilisées dans ce manuel :



Ceci signifie que si les précautions ne sont pas prises, l'opération peut engendrer un faible dégât et/ ou éventuellement endommager la machine.



Ceci signifie que si les précautions ne sont pas prises, l'opération peut engendrer un sérieux dégât ou éventuellement provoquer un décès.

- - RETENEZ CES INSTRUCTIONS - -

Introduction

Ce manuel, offert par Powermatic couvre les procédures d'utilisation et de maintenance sans risque du dépoussièrerie de marque PM1900TX de Powermatic. Il contient également les instructions relatives à l'installation, aux précautions de sécurité, aux procédures générales de manipulation, à l'entretien et à la panne des pièces. Cette machine a été conçue dans le but de vous éviter des ennuis dus à la manipulation pendant des années si elle est utilisée dans le respect des instructions mentionnées dans le présent manuel. En cas de questions ou de commentaires, veuillez rencontrer le fournisseur de votre localité ou Powermatic; ou visitez notre site Internet : www.powermatic.com.

Spécifications

Modèle	PM1900TX
Numéros de stock :	
PM1900TX (Machine de base A), comprend moteur 3HP, 1PH, télécommande et démarreur magnétique	1792071
PM1900TX (Machine de base B), comprend moteur 3HP, 3PH, 230V/460V, (Précablé 230V) ..	1792073
PM1900TX (Machine de base A) avec système de boîte de filtrage.....	1792071K
PM1900TX (Machine de base A) avec système de sac-filtre	1792072K
PM1900TX (Machine de base B) avec système de boîte de filtrage.....	1792073K
PM1900TX (Machine de base B) avec système de sac-filtre	1792074K
Système de sac-filtre uniquement	1791075B
Système de boîte de filtrage uniquement.....	1791086
Diamètre de roue de souffleuse	14"
Intensité sonore à 3 pieds.....	86-92 db
Diamètre du port d'entrée (po.)	trois à 4" ou un à 8"
Débit d'air à 8" – Machine de base A et B (CFM).....	1891
Vélocité à 8" – Machine de base A et B (FPM).....	5393.7
Pression statique (pouce d'eau).....	12.15
Diamètres de boîte de filtrage et de sac-filtre (po.)	20
Longueur du sac-filtre (po.).....	48
Efficacité du sac-filtre.....	96% de particules de 30 microns
Longueur de la boîte de filtrage (po.)	26
Efficacité de la boîte de filtrage	86% de particules de 1 micron ; 98% particules de 2 microns
Capacité du sac du collecteur (cu.pd)	10
Type de télécommande (<i>unite PH uniquement</i>).....	infrarouge
Dimensions totales avec système de sac-filtre (LxWxH)(po.)	61 x 30 x 94
Dimensions totales avec système de boîte de filtrage (LxWxH)(po.).....	61 x 30 x 72
Moteur (TEFC)	3 HP, 1Ph 230V uniquement ou 3 HP, 3Ph, 230V/460V, Pré-connecté 230V
Poids approximatif (net/embarquement) :	
PM1900TX avec système de sac-filtre (lbs.).....	211/215
PM1900TX avec système de sac-filtre (lbs.).....	268/272

Les spécifications ci-dessus étaient valables au moment de la publication du présent manuel. Cependant, du fait de notre politique d'amélioration constante, Powermatic se réserve le droit de les changer à tout moment sans avis préalable et sans prendre des engagements.

Déballage

Retirez tout le contenu du carton d'expédition et vérifiez le *contenu dudit carton* en dessous pour vous assurer que tous les articles ont été reçus.

Signalez les dommages à votre fournisseur.

Ne mettez au rebut aucun matériel d'acheminement tant que le dépoussiéreur n'est pas montée et fonctionne correctement.

Vous aurez également besoin d'un *système de sac-filtre* ou d'un *système de boîte de filtrage*. Ces éléments sont emballés séparément et ne sont pas cités ici.

Contenu du carton d'expédition

Reférez-vous à la Figure 3 pour identifier les éléments K–Z.

- K Base (1)
- L Extension de base (2)
- M Roulette (4)
- N Moteur/dispositif d'agitation (1)
- O Protection d'entrée (1)
- P Port d'entrée w/capot (1)
- Q Garniture inférieure (1)
- R Tube de connecteur (1)
- S Boîte de commande (1)
- T Garniture supérieure (2)
- U Boîtier gauche (1)
- V Boîtier droit (1)
- W Barre de support (2)
- X Manche (2)
- Y Plaque (2)
- Z Vis de bouchon de tête de prise, M8x12 (4)
- Télécommande w/ batteries (*machine monophasée uniquement*) (non illustrée)
- Manuel d'utilisation (non illustré)
- Carte de garantie (pas illustrée)

Contenu du sac de matériel (Figure 1) :

- A – M8 x 20 Vis à tête hexagonale (34)*
- B – M6 x 12 Vis de bride à tête cylindrique bombée (8)*
- C – 3/16" x 1/2" Vis de bride à tête cylindrique bombée (1)*
- D – M8 Rondelles plates (60)*
- D – M10 Rondelles plates (6)*
- F – M8 Écrous hexagonaux (30)*
- G – M8 Rondelles de sécurité (4)*
- H – 3/8" Écrous hexagonaux (4) – *sur les roulettes*
- J – M10 Rondelles de sécurité (4)- *sur les roulettes*

Assemblage du cône et matériel (Figure 2):

- AA – Support de soutien (2)
- BB – Cône (2)
- CC – M8 x 16 Vis à tête hexagonale (2)
- DD – M8 Rondelles plates (2)
- EE – M8 Écrous hexagonaux (2)
- FF – M 6 x 12 Vis à tête hexagonale (8)
- GG – M6 Écrous hexagonaux (8)

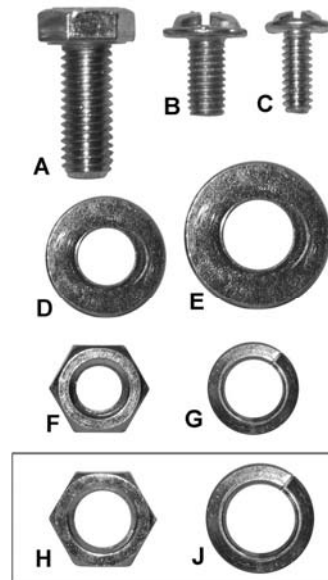


Figure 1: Contenu du sac de matériel

* A à G comprend PM1900-BMHP
Emballage de matériel de base de la machine

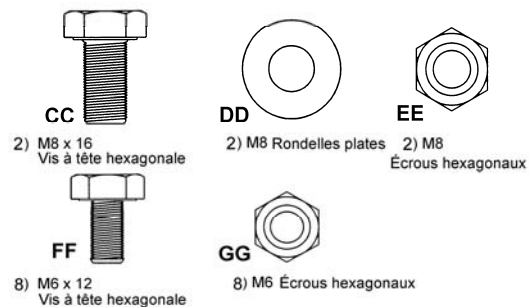
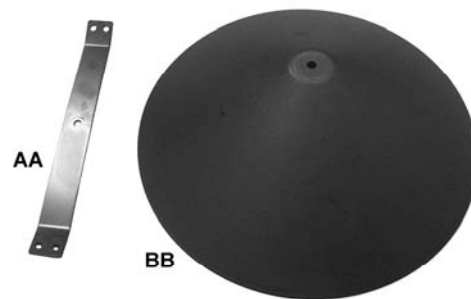


Figure 2: Assemblée du cône et matériel

CC à GG comprend DC1100-HP2
Emballage de matériel de dispositif du cône

Outils nécessaires à l'assemblage

- Clés ou prise de 13 mm
- Clé de 14 mm
- Tournevis à pointe cruciforme de #2
- Clé hexagonale ("Allen") de 6 mm

Montage de l'engin de base

⚠ AVERTISSEMENT Le dépoussiéreur ne doit pas être connecté à la source d'énergie pendant le montage.

Toutes les instructions de cette page renvoient à la Figure 3.

Socles et extensions

1. Fixez les extensions du socle (L) à ce dernier (K) en insérant les vis à tête hexagonales M8x20 (A) à travers les trous de fixation de l'extension (L) et du socle (K).
2. Placez les rondelles plates M8 (D) et les rondelles de sécurité M8 (G) aux extrémités des vis (A) et serrez-les avec des écrous hexagonaux M8 (F) à l'aide de clés de 13 mm.

Roulettes

1. L'écrou hexagonal de 3/8" (H) et la rondelle de sécurité M10 (J) sont fixés d'avance sur chaque roulette (M). Pour des raisons d'expédition, la rondelle de sécurité a été placée en dessous de l'écrou hexagonal. Déposez l'écrou hexagonal et la rondelle de sécurité de l'arbre de la roulette, installez à nouveau l'écrou hexagonal, puis installez la rondelle de sécurité au dessus de l'écrou hexagonal, tel qu'illustré.
2. Installez les quatre roulettes (M) sur la partie inférieure du socle (K) de la façon suivante :
3. Enfilez l'arbre de la roulette dans le trou taraudé situé sur la partie inférieure du socle (K), tournez à fond. Serrez l'écrou hexagonal (H) sur le socle à l'aide d'une clé de 14 mm.

Montage du moteur et de l'agitateur

1. Placez le socle muni de roulettes sur le sol.
2. Fixez le dispositif de moteur et d'agitateur (N) sur le socle (K) à l'aide de six vis à tête hexagonales M8x20 (A) et de six rondelles plates M10 (E). Serrez uniquement à la main jusqu'à ce que toutes les vis et rondelles soient immobilisées, puis toutes les six vis à l'aide de la clé de 13 mm.
3. Fixez la protection d'entrée (O) au boîtier d'agitateur (N) à l'aide de huit vis à bride à tête cylindrique bombée (B).
4. Appuyez le port d'entrée (P) contre la protection d'entrée (O) jusqu'à ce qu'il s'immobilise. Immobilisez à l'aide de la Vis de bride à tête cylindrique bombée de 3/16" x 1/2" (C).

⚠ AVERTISSEMENT Pour réduire les risques de blessure causées par les pièces mobiles, maintenez toujours le port d'entrée (P) couvert à l'aide des capuchons fournis au cas où ceux-ci ne sont pas connectés à un tuyau.

Tube et boîte de commutateur de connecteur

1. Placez la garniture inférieure (Q) sur le boîtier de l'agitateur (N). Alignez les fichoirs en caoutchouc sur la garniture (retourné) avec les trous du boîtier.
2. Placez le tube de connecteur (R) sur le boîtier d'agitateur (N), tout en tâchant à ce que les trous des brides d'accouplement soient alignés.

Remarque : Référez-vous à la figure 3 pour vous assurer que le tube du connecteur est orienté dans le sens qui convient.

3. Insérez une vis à tête hexagonale M8x20 (A), à travers la rondelle M8 (D) et les brides du tube de connecteur (R) et le boîtier de l'agitateur (N).
4. Placez une autre rondelle (D) et un écrou hexagonal (F) sur l'extrémité saillante de la vis (A) et serrez à la main uniquement.
5. Fixez la boîte de commande (S) sur les deux trous situés sur la partie avant de la bride du tube de connecteur (R).
6. Reprenez les étapes 3 et 4 pour les emplacements de vis restantes et serrez à la main uniquement.
7. Serrez tous les écrous hexagonaux à l'aide d'une clé de 13 mm.

Boîtiers de collecteur

Montez le boîtier du collecteur droit (V) comme suit :

1. Placez une garniture supérieure (T) entre le boîtier du collecteur (V) et le tube du collecteur (R). Alignez les fichoirs sur la garniture (T) avec les trous du boîtier (V).
2. Placez le boîtier du collecteur (V) sur le tube du connecteur (R). Assurez-vous que le boîtier du collecteur est convenablement orienté – le déflecteur interne doit pendre en direction du centre.
3. Insérez une vis (A) à travers la rondelle (D), la bride du tube du collecteur (R) et la bride du boîtier du collecteur (V).
4. Placez une autre rondelle (D) et un écrou hexagonal (F) sur l'extrémité saillante de la vis (A) et serrez à la main.
5. Reprenez les étapes 1 à 4 en ce qui concerne les sept emplacements de vis restants.
6. Serrez toutes les vis et les écrous hexagonaux à l'aide d'une clé de 13 mm.
7. Reprenez les étapes 1 à 6 en ce qui concerne le boîtier gauche du collecteur (U).

Barres de fixation

1. Alignez les rainures inférieures de la barre de fixation (W) avec les trous du socle (K). Insérez deux vis (A) avec deux rondelles plates (D) et serrez à la main uniquement.
Remarque : Si vous utilisez un système de boîte de filtrage, continuez avec les étapes 2 à 5 ci-dessous. Si vous utilisez un système de sac-filtre, laissez la barre de fixation (W) telle qu'elle se trouve (pour l'assembler plus tard) et continuez avec les "manches".
2. Alignez les trous supérieurs de la barre de fixation (W) avec les trous situés à l'arrière du boîtier du collecteur (V) et insérez deux vis (A) et deux rondelles plates (D).
3. Placez une rondelle (D) et un écrou hexagonal (F) sur l'extrémité saillante de chaque vis (A) à l'intérieur du boîtier du collecteur et serrez à la main uniquement.
4. Ajustez au besoin la partie inférieure de la barre de fixation (W) à l'aide de ses rainures jusqu'à ce qu'elle soit droite. Puis serrez toutes les quatre vis de la barre de fixation (W).

- Reprenez cette procédure pour l'autre barre de fixation.

Manches

- Séparez la plaque (Y) du manche (X) en desserrant les deux vis à chapeau à tête creuse (Z) à l'aide d'une clé hexagonale de 6 mm.
- Installez le manche (X) sur les trous du boîtier du collecteur (U) en insérant les vis à chapeau à tête creuse à travers le manche, le boîtier du collecteur et dans la plaque figurant sur le côté opposé. Serrez les vis.
Remarque : Assurez-vous que la plaque (Y) est bien orientée, comme illustré sur la Figure 3. Les saillies de la plaque doivent être éloignés du manche.
- Installez les autres trois manches de la même façon. (Deux manches pour chaque boîtier.)

Cône Installation

Installer l'assembly de cône comme illustré à la figure 3a.

- Monter la ferrure de soutien du cône (AA) pour le logement avec quatre vis à chapeau hexadécimales M6x12 (FF) et serrer d'avec quatre M6 hex noix (GG).
- Installez le cône (BB) sous M8x16 hex bouchon à vis (CC), M8 Rondelle plate (DD) et M8 écrou hex (EE).

Système de filtre

Si votre système de dépoussiéreur PM1900TX comprend des sac-filtres, continuez avec le *montage du système du sac-filtre* de la page 10.

Si votre système de dépoussiéreur PM1900TX comprend une trousse de boîte filtrante, continuez avec le *montage du système de la boîte de filtrage* de la page 11.

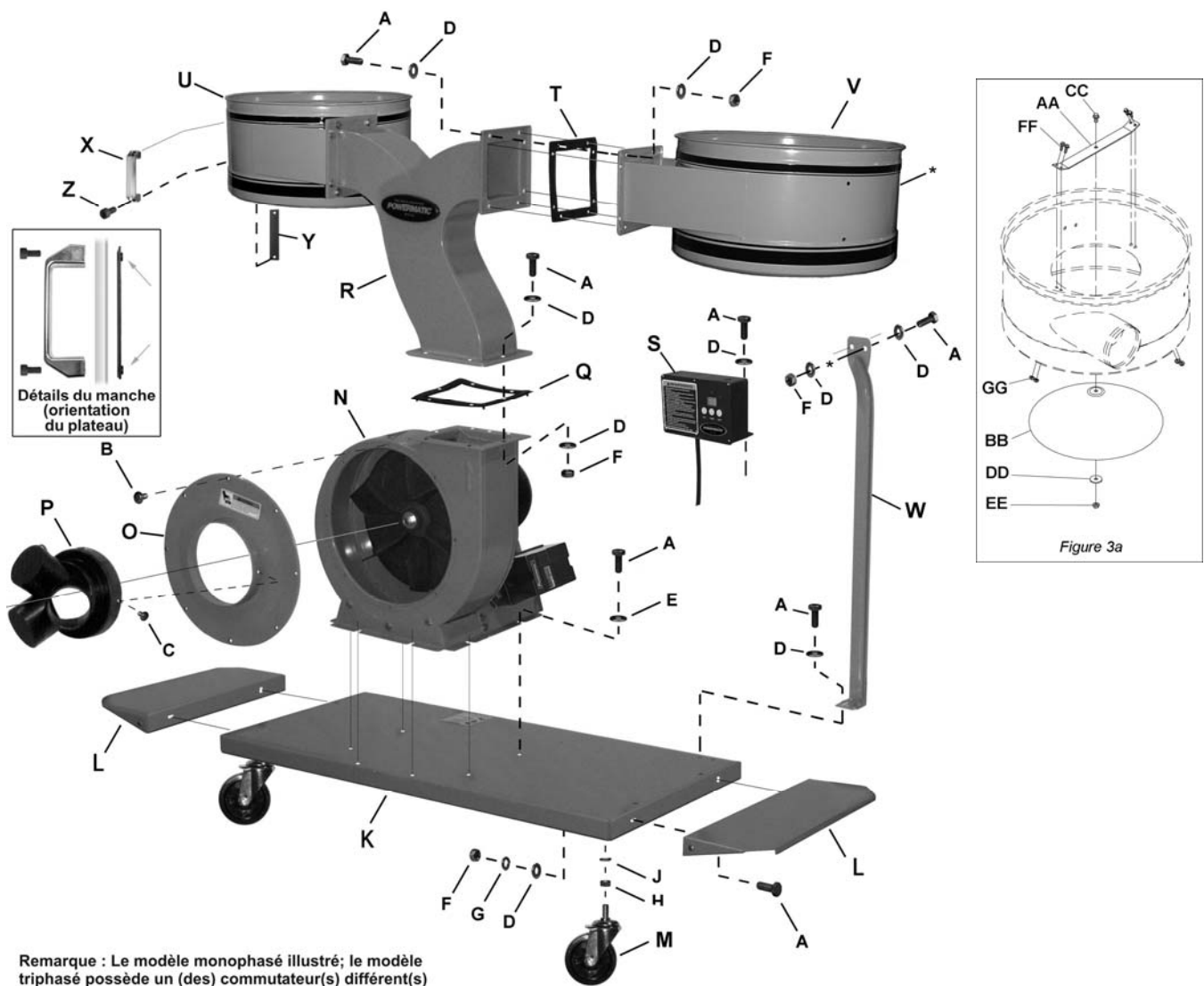


Figure 3: Identification de dispositif et de pièce

Montage du système de sac-filtre

Remarque : Si votre système de dépoussiéreur comprend une trousse de boîte filtrante, continuez avec le *montage du système de la boîte de filtrage* de la page 11.

1. Insérez un support de suspension entre la barre de fixation et le boîtier du collecteur (Figure 4).
2. Alignez les trous et immobilisez-les à l'extérieur du boîtier à l'aide de deux vis à tête hexagonales M8x20 et de deux rondelle plates M8, ainsi que deux rondelles plates M8 et deux écrous hexagonaux M8 à l'intérieur du boîtier. Serrez uniquement à la main.



Figure 4

3. Effectuez tous les ajustements qui s'imposent sur la *barre de fixation*, puis serrez les deux vis supérieures et les deux vis inférieures sur la barre de fixation à l'aide de clés de 13 mm.
4. Insérez l'anneau (Figure 5) du sac de collecteur à un angle du fond du boîtier. Appuyez sur le sac de collecteur pour vous assurer que celui-ci "repose" sur la lèvre interne du boîtier.
5. Placez la fenêtre plastique devant pour vous permettre de voir facilement le sac de collecteur remplir.
6. Connectez la suspension supérieure à la barre de fixation de la suspension (Figure 6).
7. Faites glisser la boucle du sac-filtre sur le crochet figurant sur la suspension supérieure et montez le dispositif de suspension sur le support de suspension (Figure 4). Faites pivoter la suspension pour permettre au crochet du sommet d'être orienté vers la partie avant de la machine.

8. Déroulez les courroies de retenue (Figure 6). **MISE EN GARDE :** Les courroies de retenue sont enroulées sous tension. Saisissez fermement chacune d'elle tout en la déroulant.
9. Enfilez la courroie de retenue (Figure 6) à travers les boucles du sac-filtre et attachez-la sur le boîtier de collecteur, tel que l'illustre la Figure 7.



Figure 5

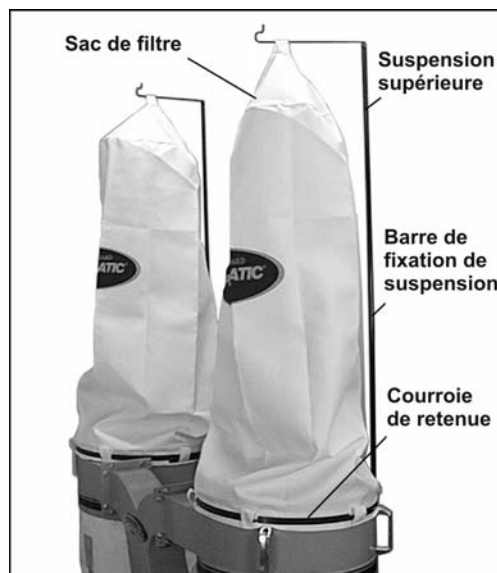
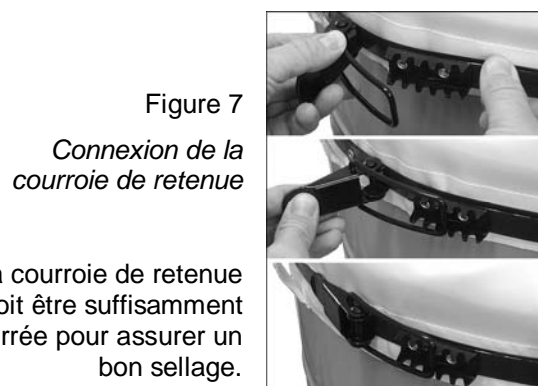


Figure 6



La courroie de retenue doit être suffisamment serrée pour assurer un bon sellage.

Montage du système de boîte de filtrage

(Clé de 17 mm requise)

1. Placez la bague à ressort sur le sommet du sac de collecteur plastique et rabattez le sac d'environ trois pouces (Figure 8).



Figure 8

2. Insérez la bague à ressort du sac de collecteur à un angle du fond du boîtier (Figure 9).
3. Appuyez sur la bague à ressort pour vous assurer que celle-ci "repose" sur la lèvre interne du boîtier.

Remarque : Assurez-vous que la bague à ressort "reste" en place dans le boîtier et que le sac en plastique pend à environ 3 pouces pour éviter des fuites d'air.

4. Retirez le manche (Figure 10) dans le filtre de la boîte de filtrage. Montez le manche sur le filtre de boîte de filtrage à l'aide de deux écrous hexagonaux M10 (A), de deux rondelles plates M10 (B) et de la rondelle de blocage (C). Classez ces attaches suivant la Figure 10. Serrez-les à l'aide d'une clé de 17 mm.
5. Placez la boîte de filtrage au dessus du boîtier et appuyez pour vous assurer qu'elle repose sur ce dernier.
6. Insérez et serrez les quatre boutons dans les trous taraudés de la boîte de filtrage (Figure 10).

Remarque : L'étiquette de Powermatic® figurant sur la partie avant de la boîte de filtrage doit avoir un effet négligeable sur le flux d'air. Cependant, l'étiquette doit toujours être décollée au cas où vous ne voulez pas qu'il ait des effets sur le flux d'air.



Figure 9

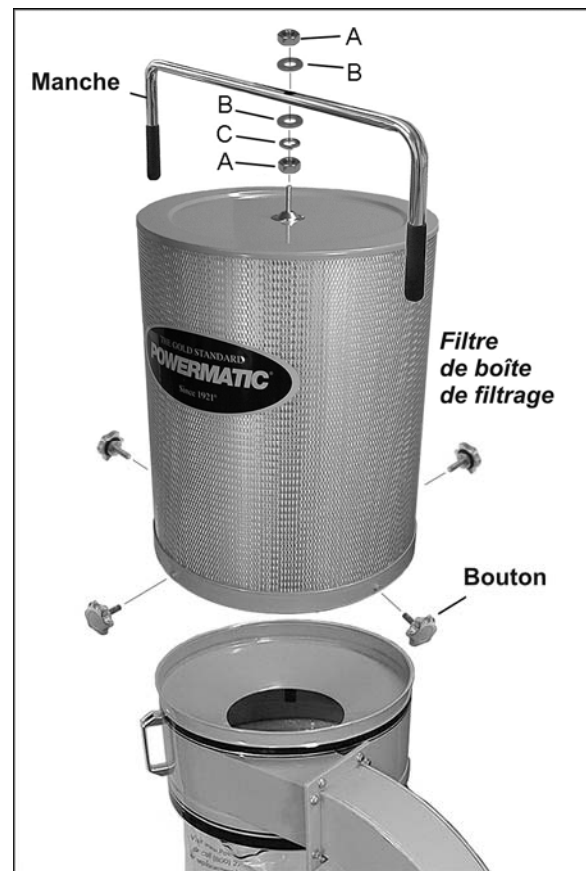


Figure 10

Connexions électriques



AVERTISSEMENT Les montages électriques doivent être réalisés par un électricien qualifié conformément à tous les codes y afférent. Cette machine doit être convenablement mise à terre afin d'éviter l'électrocution et d'éventuels dégâts mortels.

Le PM1900TX est équipé soit d'un moteur **monophasé** de 230 volts uniquement, soit d'un moteur **triphase** de 230/460 V (230 V préconnectés). Notez qu'un circuit utilisé simultanément par une autre machine (outils, phares, radiateurs, etc.) augmente la charge électrique. Ainsi, il est recommandé que la **machine monophasée uniquement** soit branchée au circuit dédié de 40 ampères muni d'un disjoncteur ou d'un fusible de 40 ampères. Il est recommandé que la **machine triphasée** soit branchée au circuit dédié de 20 ampères muni d'un disjoncteur ou d'un fusible de 20 ampères. **Les codes locaux ont la priorité sur les recommandations.**

Le dépoussiéreur **triphase** peut être connecté à nouveau comme suit pour un fonctionnement à 460 V :

Pour passer d'un fonctionnement à 230 V à un fonctionnement à 460 V :

1. *Déconnectez la machine de la source d'énergie ; Débranchez !*
2. Connectez les tractions du moteur à l'intérieur de la boîte de connexion du moteur tel que l'illustre le schéma. Le schéma est également illustré à la page 20 du présent manuel.
3. Remplacez la prise du câble d'alimentation par une prise UL/CSA appropriée de 460 V.
4. Après l'installation, installez à nouveau le couvercle de la boîte de connexion.

Instructions relatives à la mise à la masse

Cette machine doit être mise à la masse. En cas de disfonctionnement ou de panne, la mise à la masse permet de réduire la résistance du courant électrique, minimisant ainsi le risque d'électrocution.

Le mauvais montage du conducteur du matériel de mise à terre peut exposer à l'électrocution. Le conducteur dont l'insolation présente une surface extérieure verte avec ou sans des rayures jaunes, est celui de mise à terre d'équipements. Au cas où le remplacement de la rallonge électrique ou de la fiche s'avère nécessaire, ne connectez pas le conducteur de matériel de mise à terre à un terminal conversationnel.

Le flexible et le réseau de gaine que vous utilisez pour connecter l'outil au dépoussiéreur doivent également être mis à la masse.

Assurez-vous que la tension de votre source d'énergie correspond aux spécifications inscrites sur la plaque du moteur du dépoussiéreur.

Vérifiez, avec l'aide d'un électricien qualifié ou d'un employé de Walter Meier si les instructions de mise à terre ne sont pas bien comprises ou si vous éprouvez des doutes au sujet de la mise à terre de l'appareil.

Réparez ou remplacez immédiatement un cordon endommagé ou usé.

Rallonges

En cas de besoin d'un cordon, rassurez-vous que ses caractéristiques sont conformes à l'intensité de courant indiquée sur la plaque du moteur de la machine. Un cordon de faible intensité provoque une sous-tension et est à l'origine de la coupure d'électricité et de l'excès de chaleur.

Utilisez le tableau de la Figure 11 comme guide général pour choisir la taille appropriée de la rallonge. En cas de doute, utilisez le calibre voisin plus lourd. Plus le numéro du calibre est petit, plus le cordon est lourd.

Épaisseur recommandée des rallonges électriques (AWG).

Amps	Longueur des rallonges électriques					
	25 pieds	50 pieds	75 pieds	100 pieds	50 pieds	200 pieds
< 5	16	16	16	14	12	12
5 à 8	16	16	14	12	10	NR
8 à 12	14	14	12	10	NR	NR
12 à 15	12	12	10	10	NR	NR
15 à 20	10	10	10	NR	NR	NR
21 à 30	10	NR	NR	NR	NR	NR

*elle est fonction de la limitation de la baisse de tension à 5 V et à 150% de l'intensité. NR : Non recommandé.

Figure 11

Utilisation de la machine

Modèle triphasé: Connectez le dépoussiéreur à la source d'énergie et utilisez le commutateur automatique de style industriel pour faire fonctionner la machine.

Modèle monophasé: Au cas où l'énergie traverse, un indicateur vert s'allume sur le tableau de bord. Pour faire fonctionner la machine, utilisez les boutons figurant sur le tableau de bord ou la télécommande fournie. Pour démarrer le dépoussiéreur, appuyez sur le bouton ON (ACTIVÉ). Si vous utilisez la télécommande, visez le tableau de bord. La machine fonctionne ne permanence jusqu'à ce que vous appuyiez sur le bouton OFF (DÉSACTIVÉ). L'affichage numérique affiche toujours 00 lors de son fonctionnement.

La télécommande fonctionne avec deux batteries AAA. Elles nécessitent un remplacement périodique.

REMARQUE : Le détecteur infrarouge du dépoussiéreur possède un angle à vue directe de 120°. Voir Figure 12. Hors de cet angle, la télécommande risque de ne pas être efficace.

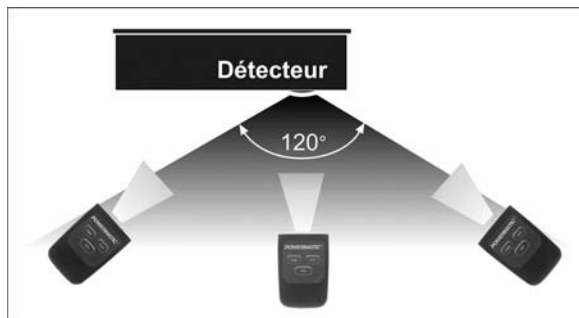


Figure 12

Réglage de la minuterie (Modèle monophasés)

Pendant que la machine fonctionne, appuyez sur le bouton TIME (TEMPS) pour activer la minuterie. Chaque fois que vous appuyez ou lâchez le bouton, le temps de fonctionnement sur l'affichage numérique augmente d'une minute et peut être réglé jusqu'à 99 minutes.

Si le bouton TIME (TEMPS) est appuyé et maintenu, le temps défile jusqu'à 99 minutes, puis recommence à 00. Relâchez le bouton lorsque vous obtenez le temps voulu. Le dépoussiéreur fonctionne alors pendant le temps affiché sur l'affichage numérique. Si vous déborde 99 et relâchez le bouton à 10 par exemple, la machine fonctionne pendant 10 minutes et non 110 minutes.

Si vous appuyez sur le bouton OFF (DÉSACTIVÉ) pendant que la machine fonctionne avec le chronomètre enclenché, la machine s'arrête et le chronomètre se désenclenche ; c'est-à-dire lorsque la machine redémarre, le chronomètre doit être réinitialisé.

Connexion d'un dépoussiéreur à une machine

Utilisez le type de flexible qui convient pour connecter le dépoussiéreur à la machine utilisée. *Le flexible d'aération du séchoir n'est pas adapté à cet usage.* Contactez votre fournisseur Powermatic le plus proche pour avoir une idée de toute la gamme de flexibles et leurs accessoires. Vous pouvez personnaliser votre installation et obtenir une performance maximale avec les cagoules antipoussière, les flexibles, les étriers de fixation, les raccords et les portes de soufflé.

Maintenance

⚠ AVERTISSEMENT N'effectuez pas les travaux de maintenance sur cette machine sans l'avoir au préalable DÉSACTIVÉ et débranché la prise de la source d'énergie. Le

non respect de cette consigne risque de provoquer de graves blessures !

Nettoyage de sacs-filtres

⚠ ATTENTION Il est vivement recommandé de porter un masque anti-particules ou un respirateur pour se protéger contre les fines particules pendant le nettoyage.

Pendant la première utilisation et après le nettoyage, les sacs-filtres risquent de laisser échapper la poussière. Cette réaction est normale et cela cesse après une courte durée.

Nettoyez régulièrement le sac-filtre et le sac du collecteur pour une performance optimale du collecteur. Pour le nettoyage :

1. Débranchez la machine de la source d'énergie.
2. Décrochez le sac-filtre de la suspension. Secouez le sac pour qu'une quantité considérable de poussière tombe dans le sac du collecteur.
3. Desserrez la courroie de retenue et séparez le sac-filtre du boîtier.
4. Tournez le sac du centre vers la périphérie et nettoyez.
5. Tournez le sac de la périphérie vers le centre et fixez-le à nouveau sur le boîtier à l'aide de la courroie de retenue pour l'immobiliser.

Retrait des sacs du collecteur

1. Débranchez la machine de la source d'énergie.
2. Retirez le sac du collecteur en poussant son anneau vers le haut et en tirant le sac à un angle.
3. Videz le contenu dans un récipient approprié.
4. Tournez le sac du centre vers la périphérie et nettoyez.
5. Tournez le sac de l'extérieur vers l'intérieur et insérez-le dans le boîtier.

Nettoyage des filtres de la boîte de filtrage

Nettoyez régulièrement la boîte de filtrage pour une performance optimale du collecteur. Pour nettoyer le filtre, tournez le manche à une double rotation pour permettre à la poussière de tomber dans le sac en plastique. Mettez convenablement au rebut le sac en plastique.

Moteur

Effectuez de façon régulière les inspections du ventilateur du moteur et du soufflage (à l'aide du flexible d'air à faible pression) ou videz les accumulations de matières étrangères pour maintenir une ventilation normale du moteur.

Liste de pièces du dépoussiéreur PM1900TX (Machine de base)

N° d'indice	N° de la pièce	Description	Taille	Qté
1.....	PM1900-101	Boîtier de l'agitateur.....		1
2.....	PM1900-102	Support du boîtier de l'agitateur.....		1
3.....	PM1900-103-1	Support du moteur.....	1Ph	1
	PM1900-103-3	Support du moteur.....	3Ph	1
4.....	PM1300-151	Protection d'entrée.....		3
5.....	PM1900-105-1	Moteur.....	3HP, 230V, 1Ph.....	1
	PM1900-105-1MF	Ventilateur du moteur (non illustré).....		1
	PM1900-105-1MFC	Couvercle du ventilateur du moteur (non illustré).....		1
	PM1900-105-1SC	Condensateur de démarrage (non illustré).....	600MFD, 125VAC.....	1
	PM1900-105-1RC	Condensateur de fonctionnement (non illustré).....	50µF, 250VAC.....	2
	PM1900-105-1CS	Commutateur centrifuge (non illustré).....		1
	PM1900-105-3	Moteur.....	3HP, 230/460V, 3Ph.....	1
	PM1900-105-1MF	Ventilateur du moteur (non illustré).....		1
	PM1900-105-1MFC	Couvercle du ventilateur du moteur (non illustré).....		1
6.....	998630	Allègement de contrainte.....	7P-2	1
	709421	Allègement de contrainte.....	M20 (for Ph)	1
7.....	PM1900-107	Montez la plaque.....		1
8.....	PM1900-108	Dispositif du commutateur de télécommande.....	For 3HP, 230V, 1Ph ..	1
8-1.....	DCRC-108	Boîte de commutateur.....		1
8-2.....	PM1900-108-2	Plaquette à circuits.....		1
8-3.....	PM1900-108-3	Commutateur numérique.....		1
8-4.....	DCRC-104	Joint étanche.....		1
8-5.....	DCRC-103	Plaque de commutateur.....		1
8-6.....	PM1900-108-6	Vis à tête cylindrique large.....	M5x8	4
8-7.....	DCRC-102	Vis à tête plate.....	1/8" x 1/4"	3
8-8.....	ST039304	Vis autotaraudeuse.....	M3.5x12(AB)	6
8-9.....	DCRC-111	Vis autotaraudeuse.....	M4x10	1
	PM1900-108-10	Étiquette d'affichage (non illustrée).....		1
9.....	420051	Joint du moteur.....		1
10.....	431006	Agitateur.....	Dia.14"	1
11.....	PM1900-111	Protection d'entrée.....	8"	1
12.....	499025	Port d'entrée.....	3 @ 4"	1
13.....	420203	Capot d'entrée.....		2
14.....	431034	Joint en plastique.....		1
15.....	PM1900-115	Socle.....		1
16.....	402036	Roulette.....		4
17.....	PM1900-117	Tube de connecteur.....		1
18.....	430035	Joint en plastique.....		1
19.....	430036	Joint en plastique.....		2
20.....	PM1900-120	Boîtier gauche.....		1
21.....	PM1900-121	Boîtier droit.....		1
22.....	PM1900-122	Barre de fixation.....		2
23.....	PWBS14-254SN	POWERMATIC Plaque signalétique, Petite.....		1
24.....	TS-2361061	Rondelle de verrouillage.....	M6.....	2
25.....	TS-1550041	Rondelle plate.....	M6.....	2
26.....	6715154	Vis à tête hexagonale.....	1/4-20 x 3/8	2
27.....	PM1900-127	Manche.....		4
28.....	PM1900-128	Plaque d'attache.....		4
29.....	PM1900-129	Télécommande.....		1
	PM1900-129-1	Étiquette de télécommande (non illustrée).....		1
30.....	990855	Vis de bride à tête cylindrique bombée.....	3/16 x 1/2	1
31.....	992021	Clé.....	7x7x20	1
32.....		Batterie (<i>achat sur place</i>).....	AAA	2
33.....	TS-1540061	Écrou hexagonal.....	M8.....	30
34.....	TS-0561031	Écrou hexagonal.....	3/8-16.....	4
35.....	TS-0561072	Écrou hexagonal.....	5/8-18 UNF.....	1
36.....	TS-1490011	Vis à tête hexagonale.....	M8x12	10

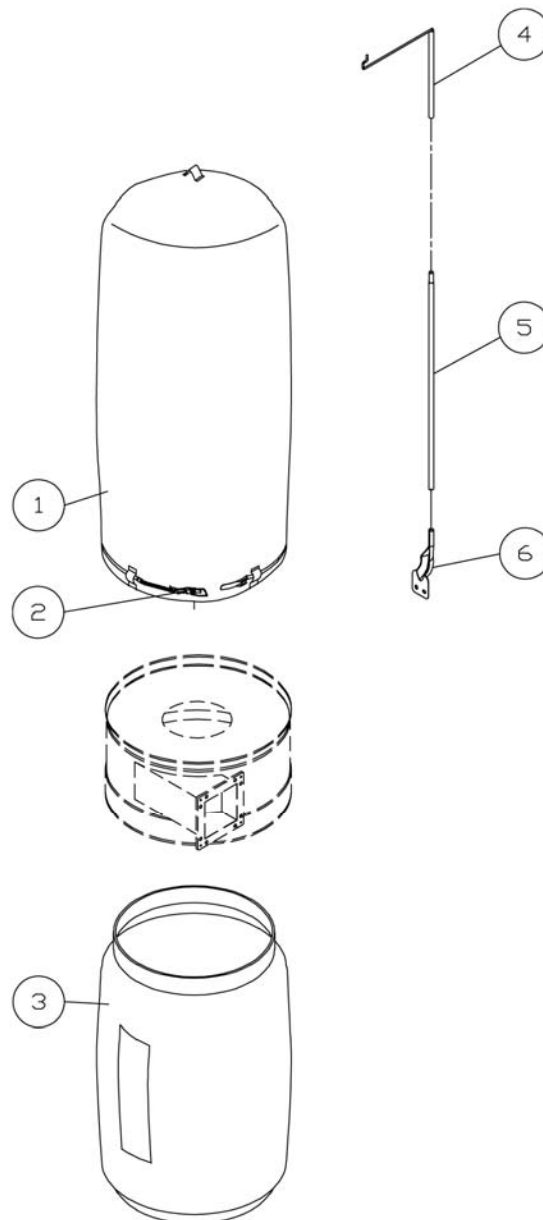
N° d'indice	N° de la pièce	Description	Taille	Qté
37	TS-1490031	Vis à tête hexagonale	M8x20	36
38	TS-1490041	Vis à tête hexagonale	M8x25	4
39	PM1900-139	Commutateur magnétique	For 3HP, 230V, 1Ph	1
39-1	PM1900-139-1	Rallonge d'alimentation	14AWG x 3C	1
39-2	PM1900-139-2	Rallonge du moteur	14AWG x 3C	1
39-3	PM1900-139-3	Rallonge du commutateur	14AWG x 3C	1
40	PM1900-140	Plaque d'attache		1
41	SF069300	Vis de bride à tête cylindrique bombée	M6x12	10
42	TS-1550061	Rondelle plate	M8	64
43	TS-1550071	Rondelle plate	M10	6
44	TS-155010	Rondelle plate	M16	1
45	TS-2361081	Rondelle de verrouillage	M8	14
46	TS-2361101	Rondelle de verrouillage	M10	4
47	TS-1550031	Rondelle plate	M5	2
48	PM1900-148	Extension de socle		2
49	TS-1490031	Vis à tête hexagonale	M8x20	4
50	TS-1550061	Rondelle plate	M8	4
51	TS-2361081	Rondelle de verrouillage	M8	4
52	TS-1540061	Écrou hexagonal	M8	4
53	TS-1540031	Écrou hexagonal	M5	2
54	TS-1533042	Vis à tête cylindrique large	M5x12	2
55	PM1900-108-6	Vis autotaraudeuse	M5x8	2
56	TS-1504021	Vis de bouchon de tête de la prise de courant	M8x12	8
61	990855	Vis de bride à tête cylindrique bombée	3/16 x 1/2	1
62	709421	Allègement de contrainte	M20	1
63	DCRC-111	Vis autotaraudeuse	M3.5x10(AB)	6
64	IC411007	Cordon d'alimentation	14AWG x 4C 600V (pour 3HP, 3Ph)	1
65	IM411007	Cordon de moteur	14AWG x 4C 600V (pour 3HP, 3Ph)	1
66	709421	Allègement de contrainte	M20	1
67	PM1900-160	Dispositif du commutateur	3HP, 230/460V, 3Ph	1
67-1	PM1900-160-1	Boîte de commutateur		1
67-2	PM1900-411057	Plaque de commutateur		1
67-3	PM1900-994507	Commutateur automatique	3HP, 230/460V, 3Ph	1
67-4	ST039304	Vis autotaraudeuse	M3.5x12	6
67-5	JJ6HH-348	Vis à tête cylindrique large	M4x25	2
68	PM1300-155	Cône		2
69	DC1100-47-1	Support de soutien		2
70	TS-1490021	Vis à tête hexagonale	M8x16	2
71	TS-1550061	Rondelle plate	M8	2
72	TS-1540061	Écrou hexagonal	M8	2
73	TS-1482021	Vis à tête hexagonale	M6x12	8
74	TS-2311061	Écrou hexagonal	M6	8
	PM1300-162	Étiquette de Powermatic Turbocone (non illustré)	2-3/4 x 8"	1
	PM1900-BMHP	Emballage de matériel de base de la machine (non illustré)*		1
	PM1900-BEHP	Emballage de matériel d'extension de socle (non illustré)**		1
	DC1100-HP2	Emballage de matériel de dispositif du cône (index # 70 à 74)		2

* L'emballage de matériel de base de la machine comprend les indices # 30, 33, 37, 41, 42 et 43.

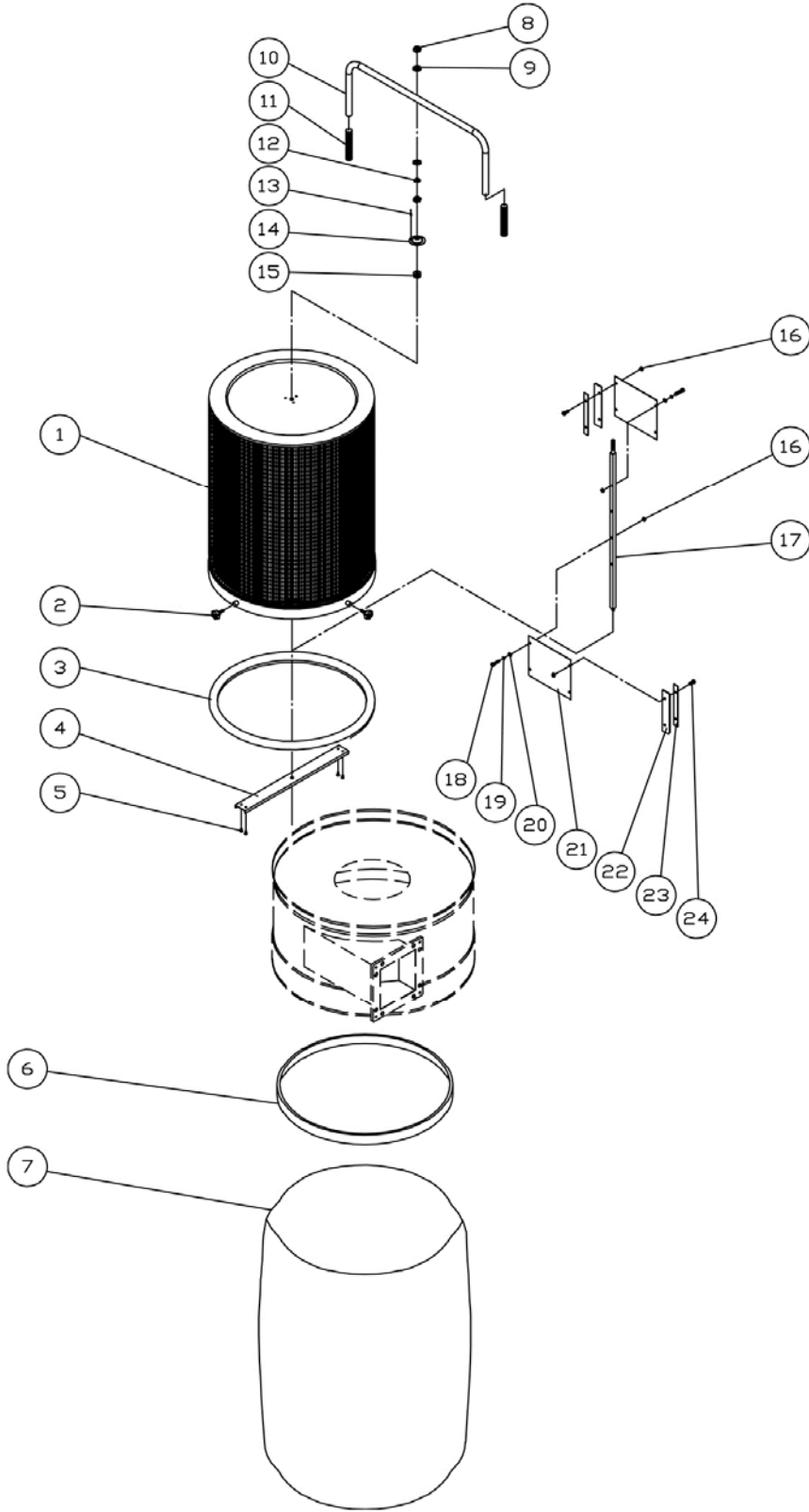
** L'emballage de matériel d'extension de socle comprend les indices # 49 à 52.

Liste et pannes de pièces du système de sac-filtre du modèle PM1900TX

N° d'indice	N° de la pièce	Description	Taille	Qté
.....	1 791 075BSystème du dépoussiéreur et de sac-filtre (comprend #1 à 6)	1
1.....	1791075FSac-filtre.....	30 microns.....	2
2.....	430005Courroie de retenue.....	2
3.....	708 699ASac de collecteur.....	2
4.....	430039Suspension supérieure.....	2
5.....	430037Barre de fixation.....	2
6.....	523011Support de suspension.....	2



Panne du système de filtre de boîte de filtrage du modèle PM1900TX



Liste de pièces du système de filtre de boîte de filtrage du modèle PM1900TX

N° d'indice	N° de la pièce	Description	Taille	Qté
.....	1791086.....	Système de sac-filtre (comprend #1 à 24).....		2
1.....	PM1900-301.....	Filtre de boîte de filtrage.....		1
2.....	PM1900-302.....	Bouton.....	M6x20.....	4
3.....	331031.....	Tampon.....		1
4.....	331009.....	Support.....		1
5.....	ST049200.....	Vis autotaraudeuse.....	M4x8.....	4
6.....	331038.....	Bague à ressort.....		1
7.....	1791087.....	Sac de collecteur en plastique (Paquet de 5).....	800x1050x0.1t mm.....	1
8.....	TS-1540071.....	Écrou hexagonal.....	M10.....	2
9.....	TS-1550071.....	Rondelle plate.....	M10.....	2
10.....	331050.....	Manche.....		1
11.....	331051.....	Poignée souple.....		2
12.....	TS-2361101.....	Rondelle de verrouillage.....	M10.....	1
13.....	BR000052.....	Rivet.....	5-2.....	3
14.....	331014.....	Support.....		1
15.....	150623.....	Garniture en caoutchouc.....		1
16.....	TS-1540041.....	Écrou hexagonal.....	M6.....	8
17.....	331052.....	Arbre.....		1
18.....	TS-1482041.....	Vis à tête hexagonale.....	M6x20.....	4
19.....	TS-2361061.....	Rondelle de verrouillage.....	M6.....	4
20.....	TS-1550041.....	Rondelle plate.....	M6.....	4
21.....	331012.....	Racleur.....		2
22.....	331017.....	Plaque.....		2
23.....	331015.....	Plaque.....		2
24.....	TS-1482021.....	Vis à tête hexagonale.....	M6x12.....	4
.....	PM1300-PLO.....	Étiquette POWERMATIC (non illustré).....	ovale 5-1/2x14.....	1
.....	PM1900-CHP.....	Emballage de matériel de boîte de filtrage (non illustré)*.....		1

* L'emballage du matériel de boîte de filtrage comprend les indices # 2, 8, 9 et 12.

Connexions électriques

L'installation fonctionne et le câblage électrique doit être effectué par un(des) personnel(s) qualifié(s) conformément à l'ensemble des codes et normes applicables, comprenant la construction relative à la lutte contre les incendies.

