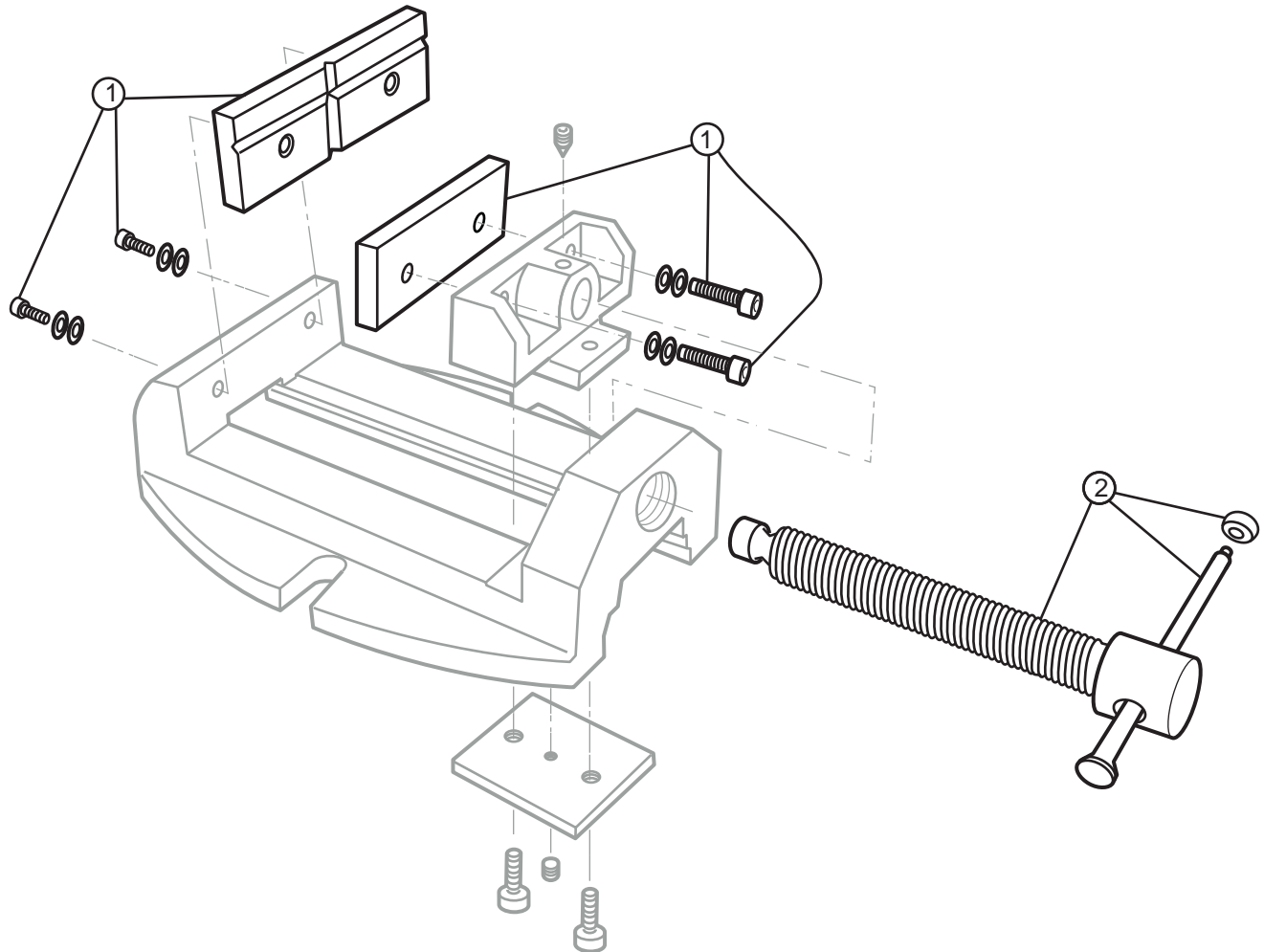




Versatile Drill Press - Continuous Nut Parts Diagram

3" Jaw Width, 2-1/2" Jaw Opening, 1-3/16" Jaw Depth

Stock #: 63238 Model #: 1335



#	Part	Description
1	63238-01	Set of Jaw Inserts, with screws and washers
2	63238-02	Clamp Screw

WILTON

427 New Sanford Road
LaVergne, Tennessee 37086
Ph.: 800-274-6848
www.wilontools.com

Part No. M-63238

Revision C 10/2014

Copyright © 2014 WILTON, a Division of JPW Industries, Inc.