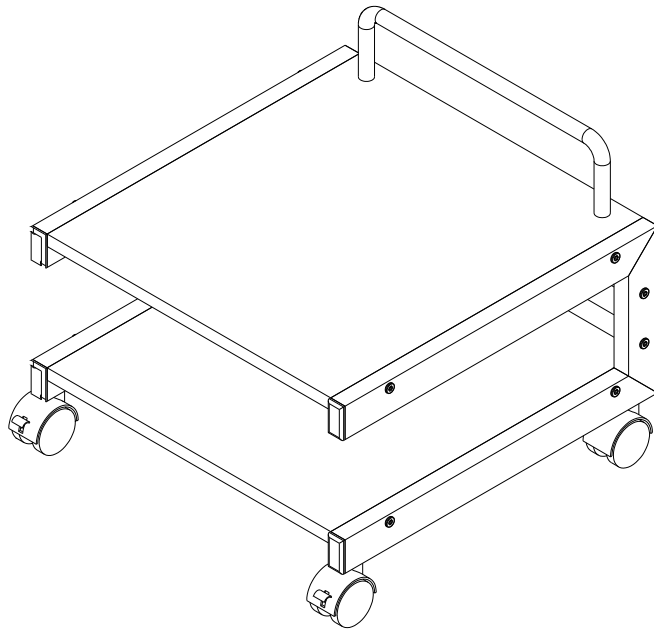


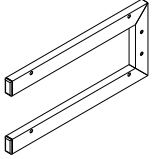
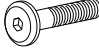
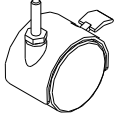
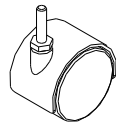
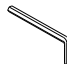

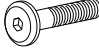
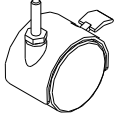
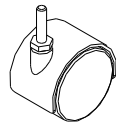
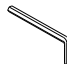

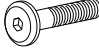
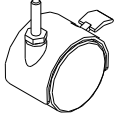
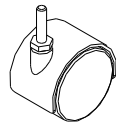
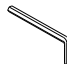

27501

Low Laser Stand W/Paper Shelf



Assembly Instructions

27501 Low Laser Stand W/Paper Shelf

Part	Drawing	Description	Qty	Part	Drawing	Description	Qty																				
P1		Leg Frame	2 EA	<p style="text-align: center; margin: 0;">Hardware List</p> <tr> <td>A</td> <td></td> <td>M6*1-5/8" Socket Screw</td> <td>14 EA</td> </tr> <tr> <td>B</td> <td></td> <td>Locking Caster 1-1/2"</td> <td>2 EA</td> </tr> <tr> <td>C</td> <td></td> <td>Caster 1-1/2"</td> <td>2 EA</td> </tr> <tr> <td>D</td> <td></td> <td>Allen Wrench</td> <td>1 EA</td> </tr> <tr> <td>E</td> <td></td> <td>Caster Wrench</td> <td>1 EA</td> </tr>				A		M6*1-5/8" Socket Screw	14 EA	B		Locking Caster 1-1/2"	2 EA	C		Caster 1-1/2"	2 EA	D		Allen Wrench	1 EA	E		Caster Wrench	1 EA
A		M6*1-5/8" Socket Screw	14 EA																								
B		Locking Caster 1-1/2"	2 EA																								
C		Caster 1-1/2"	2 EA																								
D		Allen Wrench	1 EA																								
E		Caster Wrench	1 EA																								

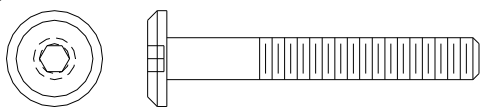
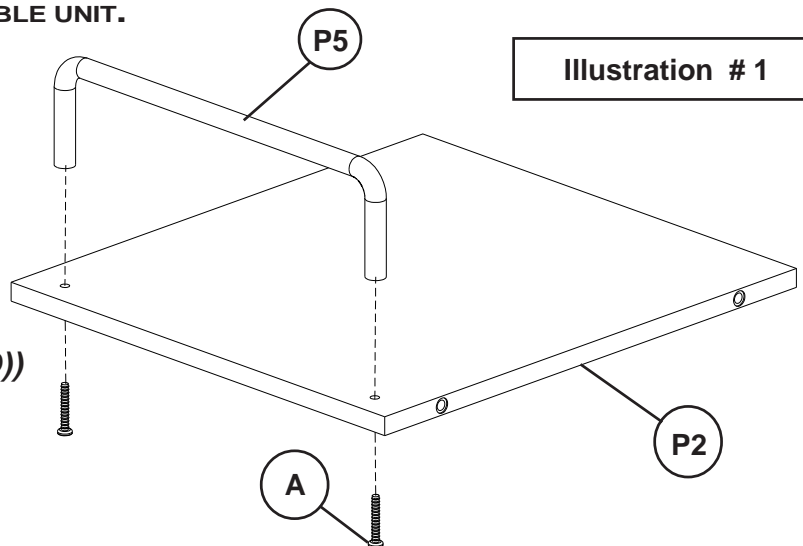
We recommend that you assemble this unit on a table.

Low Laser Assembly Diagram

READ THROUGH INSTRUCTIONS FROM BEGINNING TO END **BEFORE** STARTING TO ASSEMBLE UNIT.

- 1.) Identify and Separate all the Parts and Hardware.
- 2.) Attach Handle (P5) to the Upper shelf Platform (P-2) using 2 each (A) screws as shown in illustration # 1.

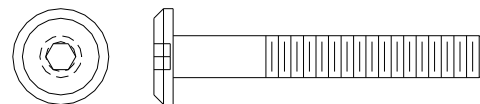
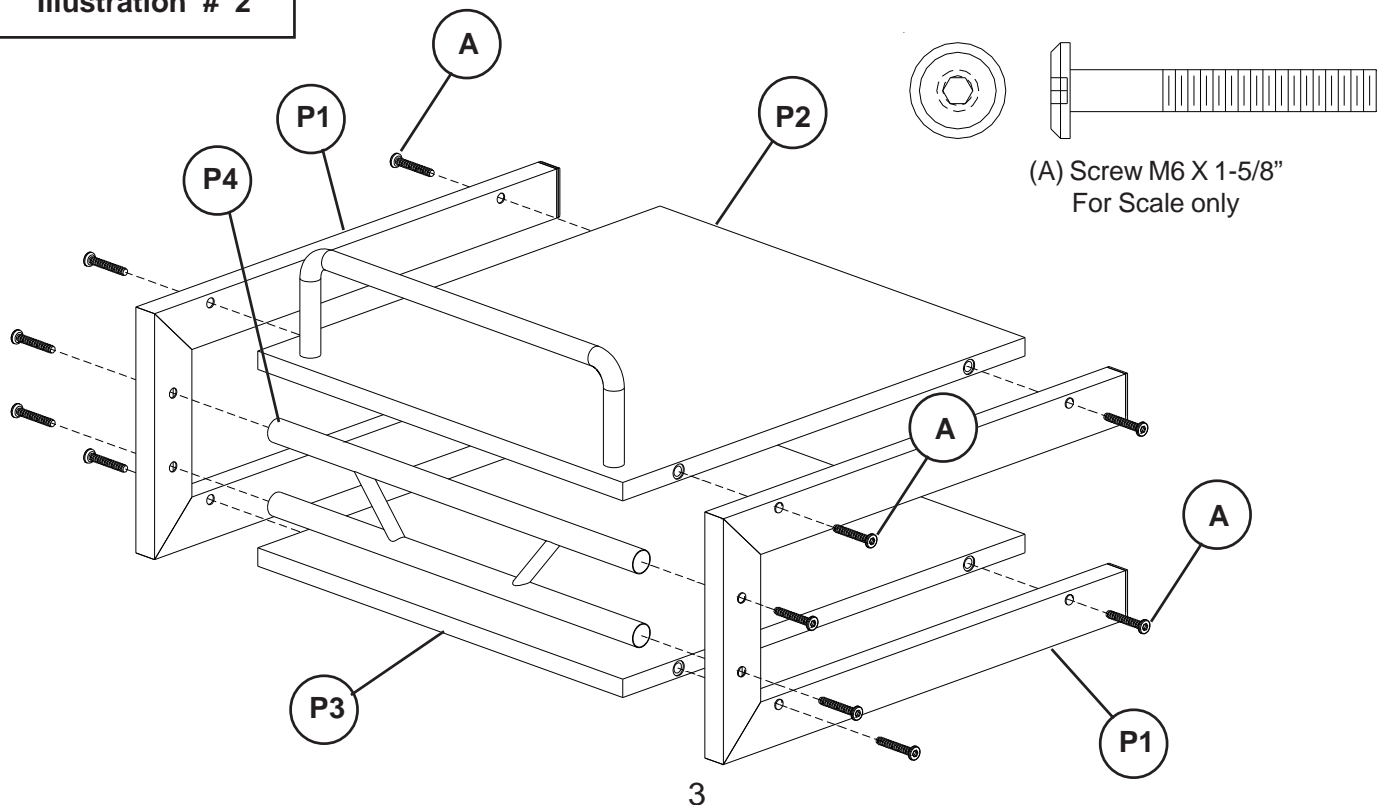
(Tighten screws using Allen Wrench (D))



(A) Screw M6 X 1-5/8"
For Scale only

- 3.) Attach the 2 each Leg Frames (P-1) to the Upper Shelf Platform (P2), the Lower Shelf Platform (P3), and the Stability Brace (P-4) using 12 each (A) screws as shown in illustration # 2. **(Finger tighten only)**

Illustration # 2



(A) Screw M6 X 1-5/8"
For Scale only

4.) Attach 2 Locking Casters (B) to the front, and 2 Casters (C) to the back of the unit. Tighten all Casters using Caster Wrench (E).

5.) Tighten all socket head screws using allen wrench (D).

Illustration # 2

