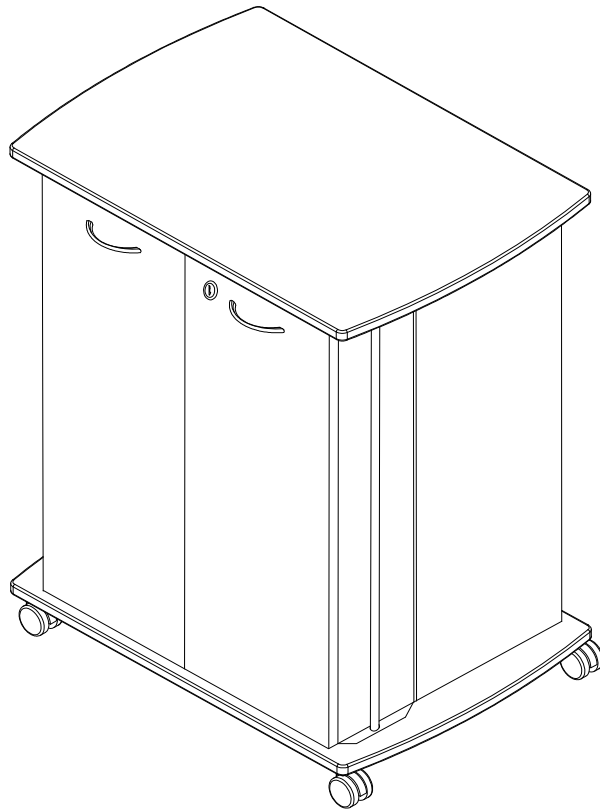


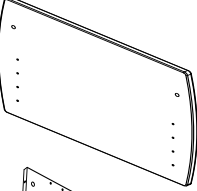
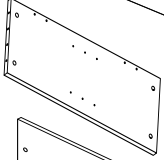
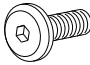
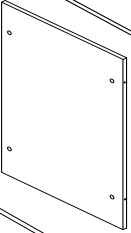
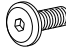
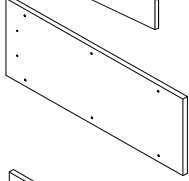
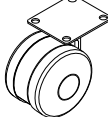
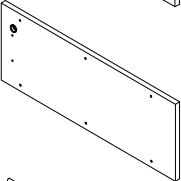
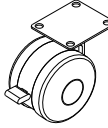
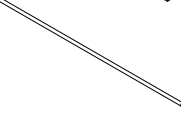

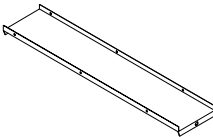
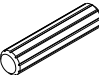
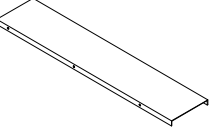

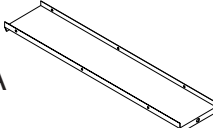

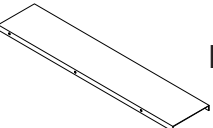



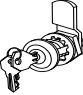
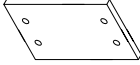



27666

Refreshment / Utility Cart

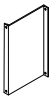
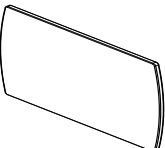
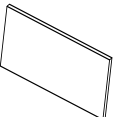


Assembly Instructions

27666 Refreshment / Utility Cart

Part	Drawing	Description	Qty	Part	Drawing	Description	Qty
P-1		Base Panel	1 EA	Hardware List			
P-2		Side Panel	2 EA	A		M6 X12mm	12 EA
P-3		Back Panel	1 EA	A1		M4 X 12mm	20 EA
P-4		Left Door Panel	1 EA	B1		2" Caster	3 EA
P-5		Right Door Panel	1 EA	B2		2" Locking Caster	2 EA
P-6		Door Hinge Rod	2 EA	C		Campost	12 EA
P-7		Right Door Hinge Side	1 EA	D		Wood Dowel	12 EA
P-8		Left Door Hinge Side	1 EA	E		Shelf Supports	4 EA
P-7A		Right Door Side	1 EA	F		Cams	12 EA
P-8A		Left Door Side	1 EA	G		Wood Screw	16 EA
				H		Door Handle	2 EA
				I		Door Handle Screws	4 EA
				J		Door Lock	1 EA
				K		Lock Plate	1 EA
				L		Lock Plate Screws	2 EA
				M		Door Spacer	4 EA
				N		Allen Wrench	1 EA

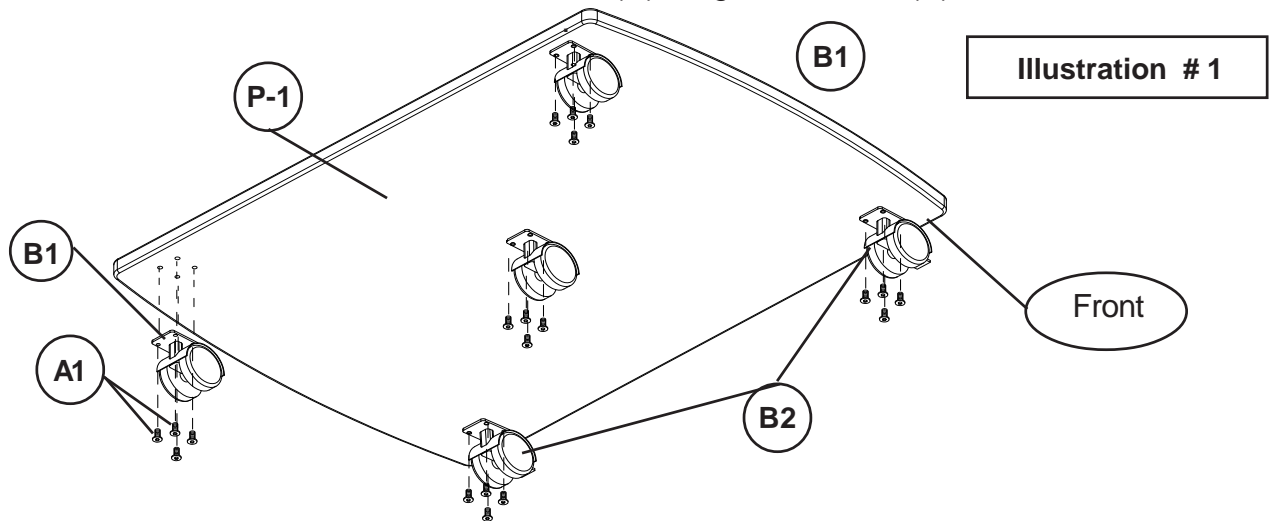
27666 Refreshment / Utility Cart

Part	Drawing	Description	Qty
P-9		Door Shelf	6 EA
P-10		Top Panel	1 EA
P-11		Shelf	1 EA

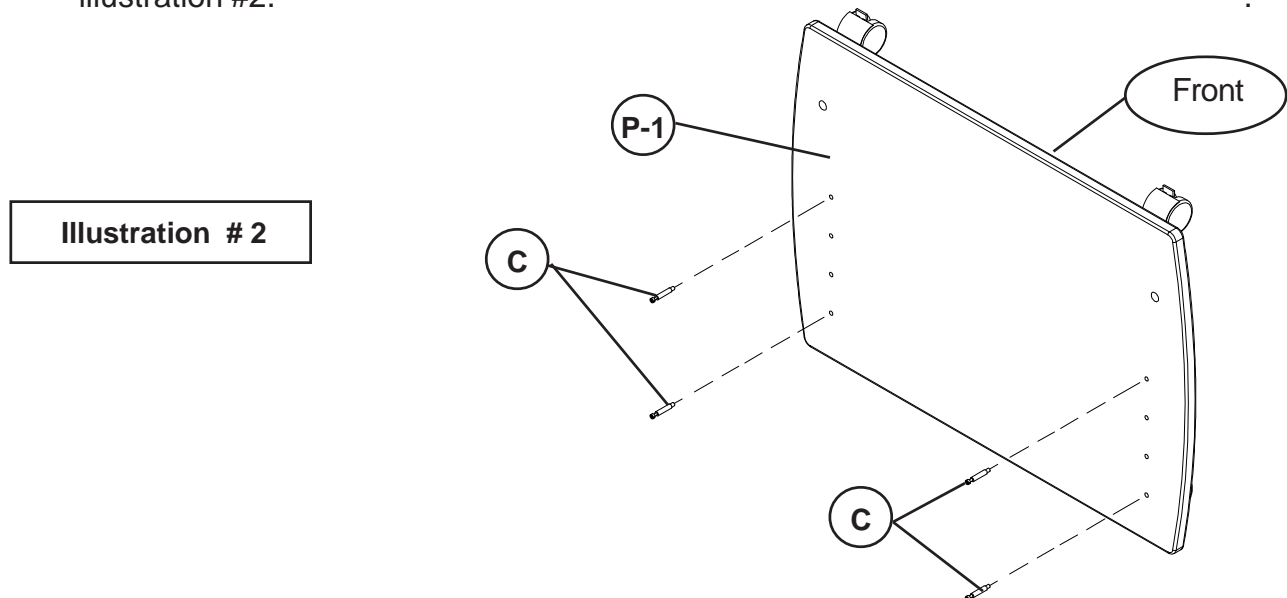
#27666 Refreshment / Utility Cart Assembly Diagram

**READ THROUGH INSTRUCTIONS FROM BEGINNING
TO END BEFORE STARTING TO ASSEMBLE UNIT.**

- 1.) Identify and Separate all the Parts and Hardware.
- 2.) Attach three Non-Locking Casters (B1) to the bottom of the Base (P-1) in the locations as shown in illustration #1. Use four Screws (A1) to attach each Caster to the threaded inserts in the Base. Attach two Locking Casters (B2) to the bottom front of the Base (P-1) using four Screws (A1) for each caster. Use Allen Wrench (N) to tighten Screws (A).

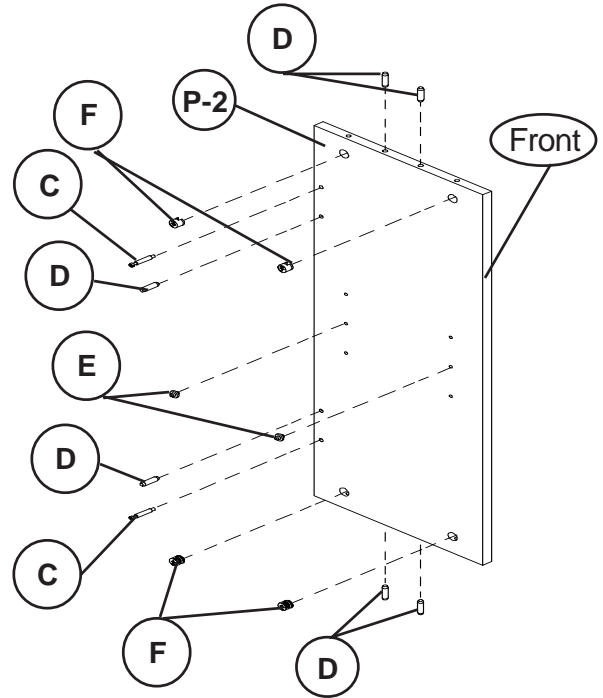


- 3.) Screw in four Camposts (C) into the threaded inserts in the top of the Base(P-1) as shown in illustration #2.



- 4.) Push in two Wood Dowels (D) into the top edge of the Side Panel (P-2) and two Wood Dowels (D) into the bottom edge of the Side Panel (P-2) as shown in illustration #3.
- 5.) Screw in two Camposts (C) into the threaded holes near the back of the Side Panel (P-2). Push in two Wood Dowels (D) into the predrilled holes next to the Camposts you just installed. See illustration #3.
- 6.) Insert two Cams (F) into the large top predrilled holes in the Side Panel (P-2). Make sure the arrows on the Cams are pointed up. Insert two Cams (F) into the large holes at the bottom of the Side Panel (P-2). Make sure the arrows on these Cams are pointed down. See illustration #3.
- 7.) Place two Shelf Supports (E) into the center set of predrilled holes of the Side Panel (P-2). This will be the right Side Panel assembly.

Illustration # 3



- 8.) Repeat Steps 4 through 7 for the second Side Panel (P-2). This will be the left Side Panel assembly. See illustration #4.

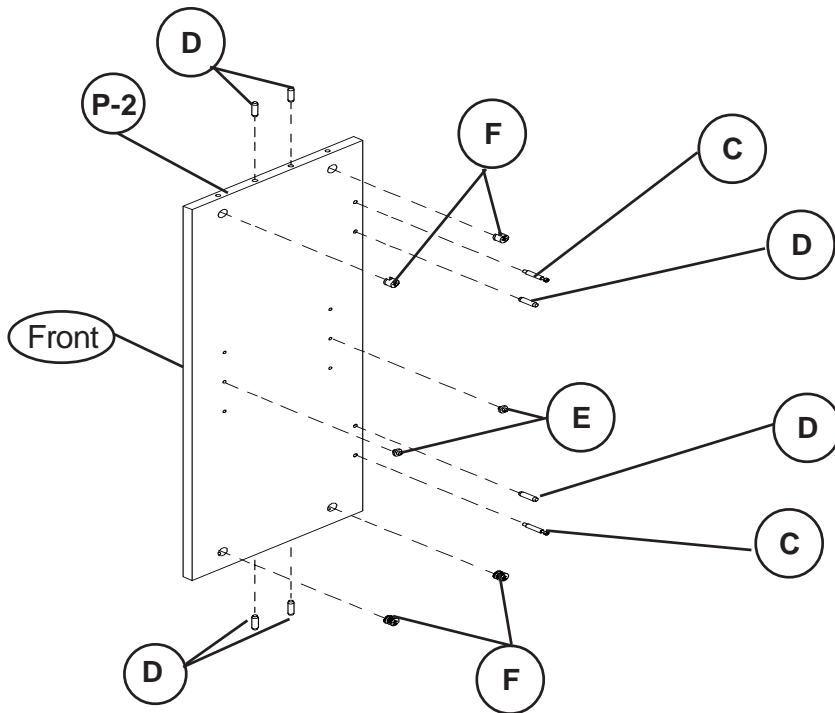
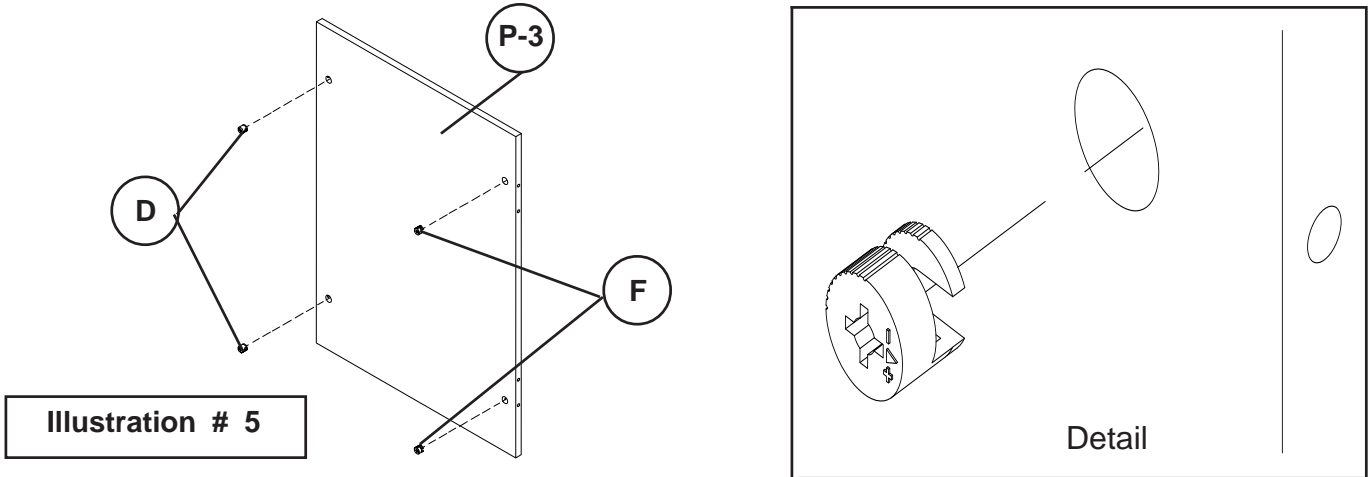
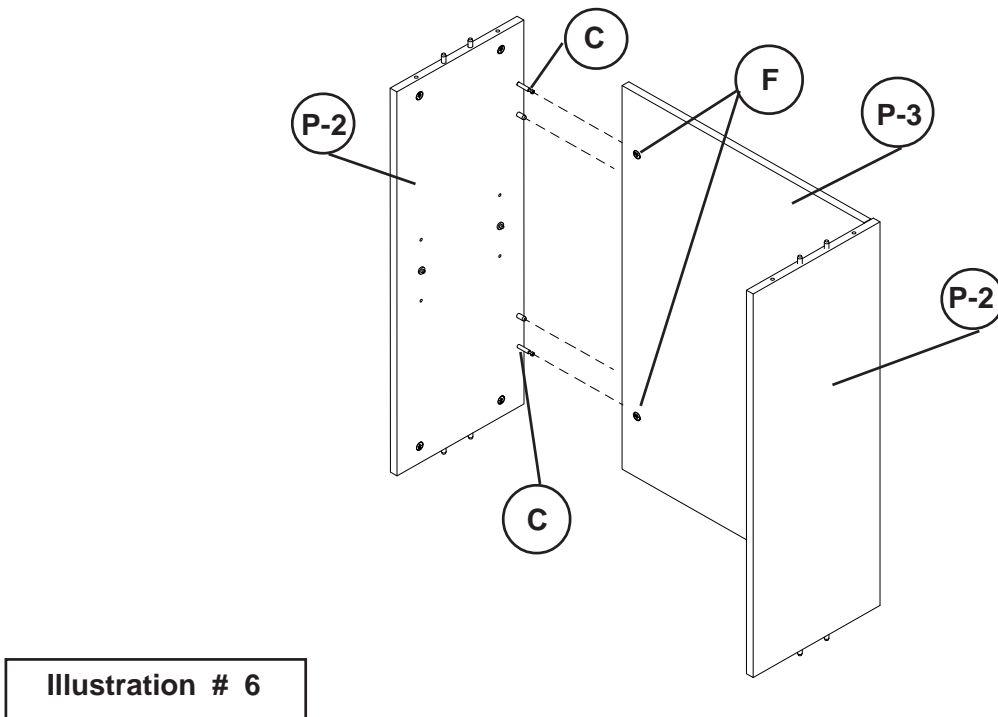


Illustration # 4

- 9.) Place four Cams (F) into the large predrilled holes in the Back Panel (P-3). Make sure the arrow on the Cam is pointed to the joining hole from the closest edge. See illustration #5 and the detail

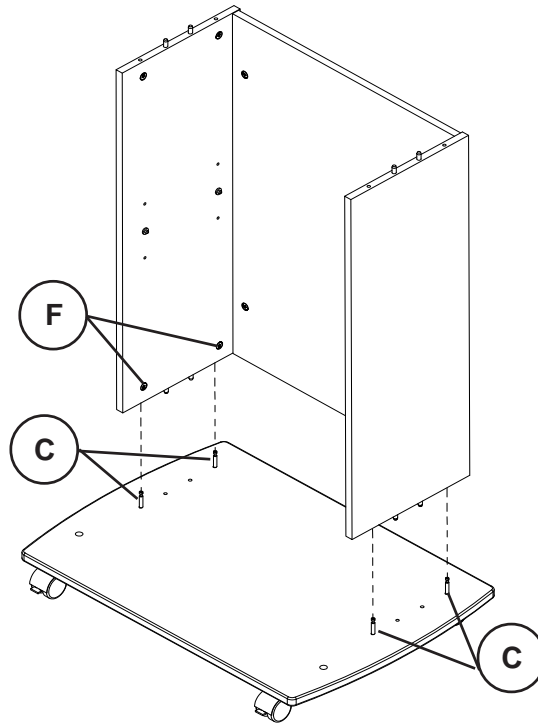


- 10.) Line up and insert the Camposts (C) on each Side Panel (P-2) assembly into the edge holes of the Back Panel (P-3) assembly. Turn each Cam (F) 90 degrees clockwise to lock the panels together. Repeat this Step to install the second Side Panel assembly. See illustration #6.



- 11.) Line up and insert the Camposts (C) that are installed in the Base assembly with the holes in the Side Panel assembly. Turn the Cams (F) 90 degrees clockwise to lock the panel assemblies together as shown in illustration #7.

Illustration # 7



- 12.) Attach three Door Shelves (P-9) to the Right Door Hinge Side (P-7) using three Screws (A) as shown in illustration #8. Place the Right Door Side (P-7A) over the open Door Shelves and attach with three Screws (A). This will be the Right Door Assembly.

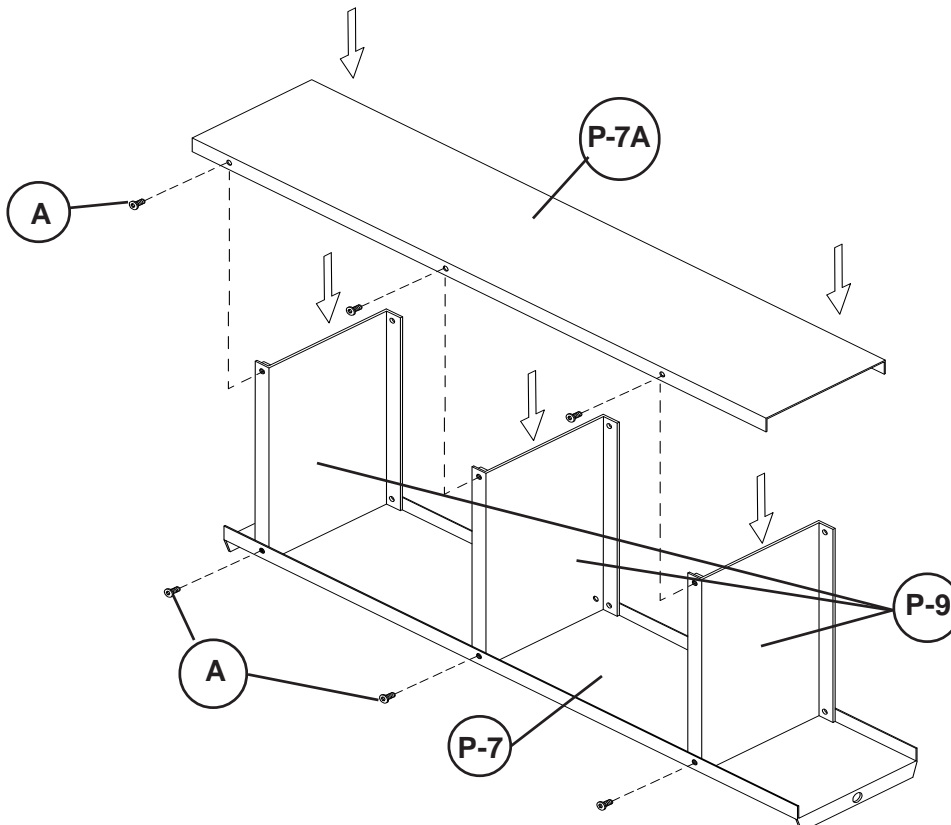


Illustration # 8

- 13.) Attach the Right Door Panel (P-5) to the Right Door Assembly from Step 12 using six CS Wood Screws (G) as shown in illustration #9.

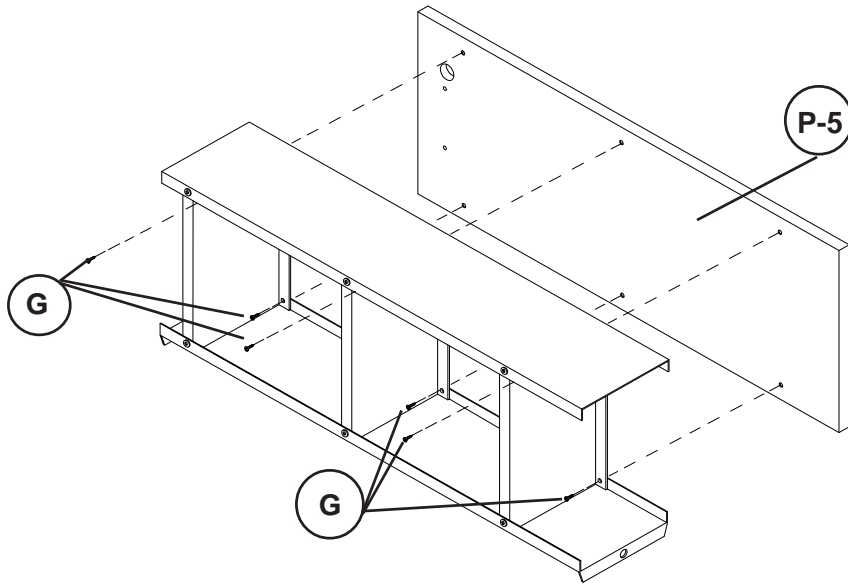


Illustration # 9

- 14.) Attach three Door Shelves (P-9) to the Left Door Side (P-8A) using three Screws (A) as shown in illustration #10. Place the Left Door Hinge Side (P-8) over the open Door Shelves and attach with three Screws (A). This will be the Left Door Assembly.

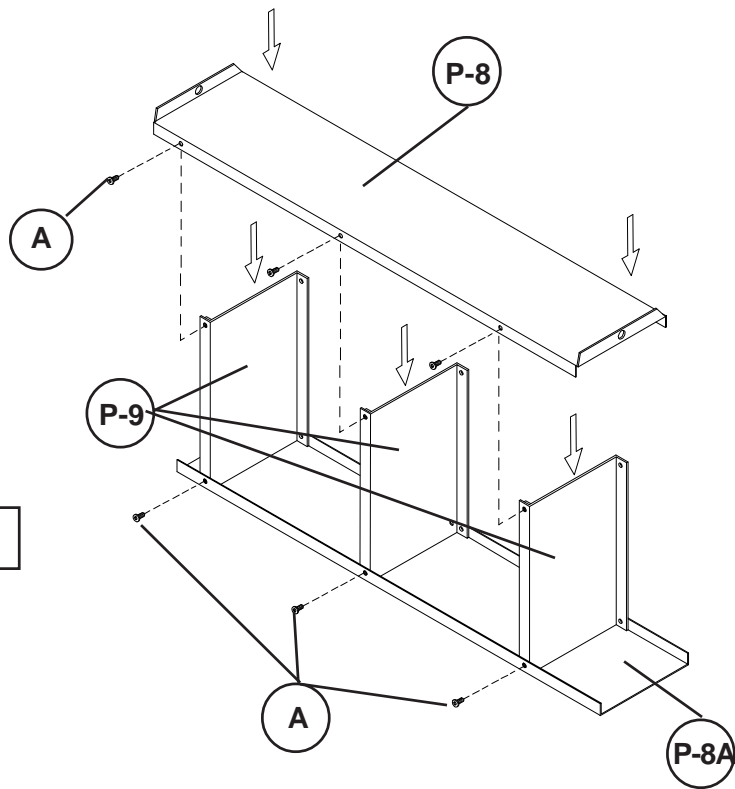


Illustration # 10

15.) Attach the Left Door Panel (P-4) to the Left Door Assembly from Step 14 using six CS Wood Screws (G) as shown in illustration #11.

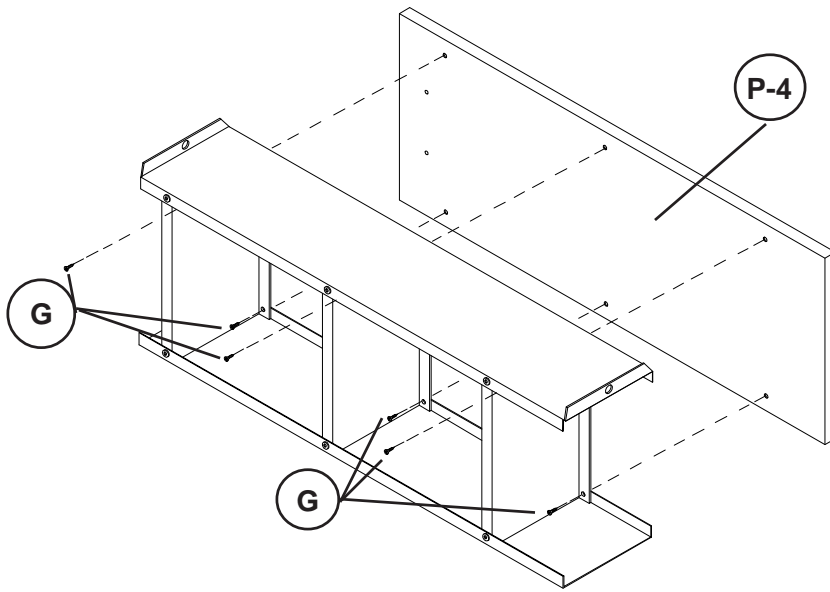


Illustration # 11

16.) Place a Door Hinge Rod (P-6) in the flange holes of the Right and Left Door Assemblies as shown in illustration #12.

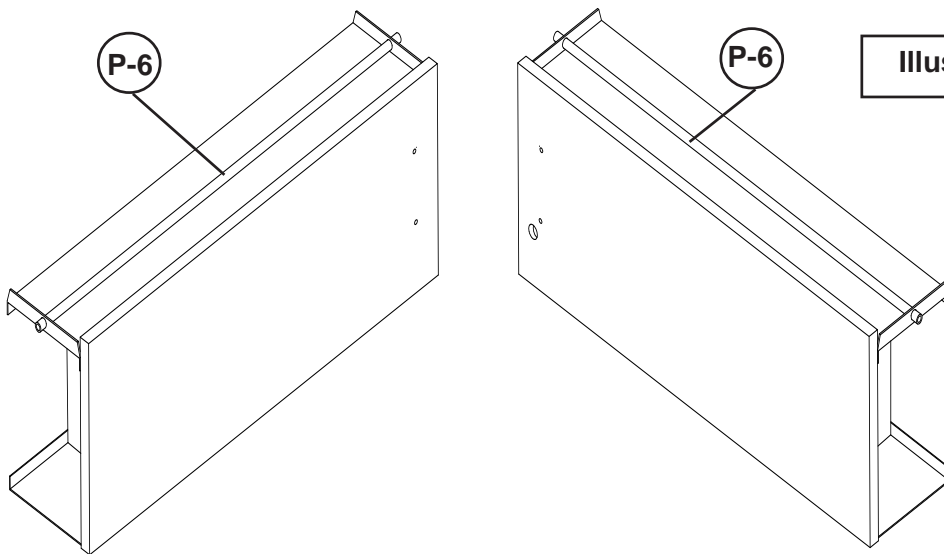


Illustration # 12

- 17.) Place a Door Spacer (M) on the Base over each large predrilled Door Hinge Rod hole. Place the Right and Left Door Assemblies on the Base (P-1) so that the Door Hinge Rod (P-6) of each goes through the Door Spacer (M) and into the large predrilled hole in the Base as shown in illustration #13.

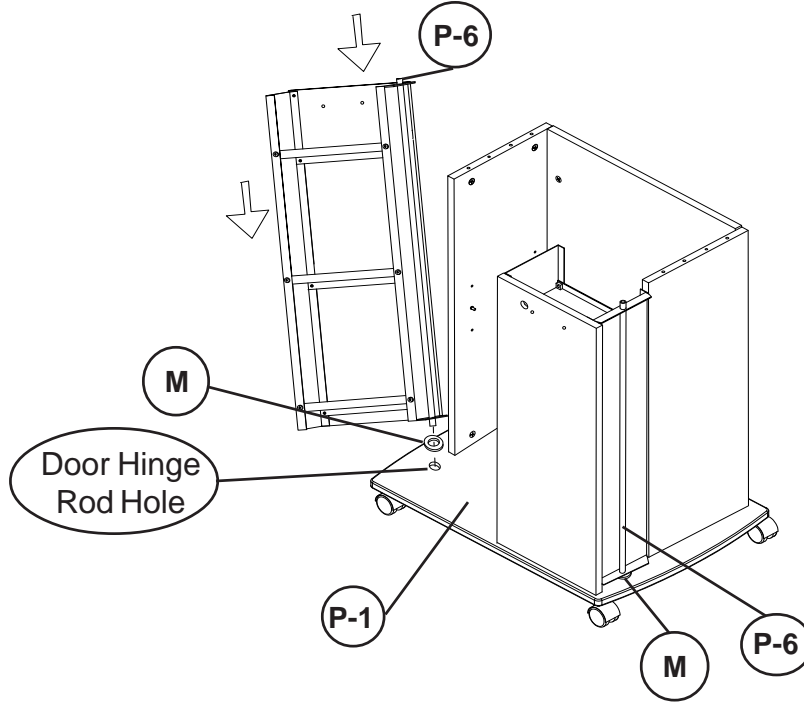


Illustration # 13

- 18.) Screw in four Camposts (C) into the threaded holes in the bottom of the Top Panel (P-10) as shown in illustration #14.

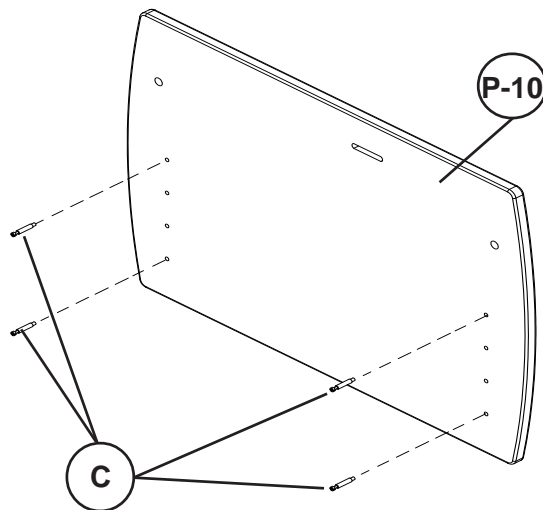


Illustration # 14

19.) Place a Door Spacer (M) on top of each Door Hinge Rod (P-6). Place the Top Panel (P-10) down on the cart assembly. Line the Camposts(C) in the bottom of the top with the holes in the Side Panels (P-2). Make sur the large predrilled holes in the bottom of the Top Panel line up with the Door Hinge Rods (P-6) as the assembly goes together. See illustration #14.

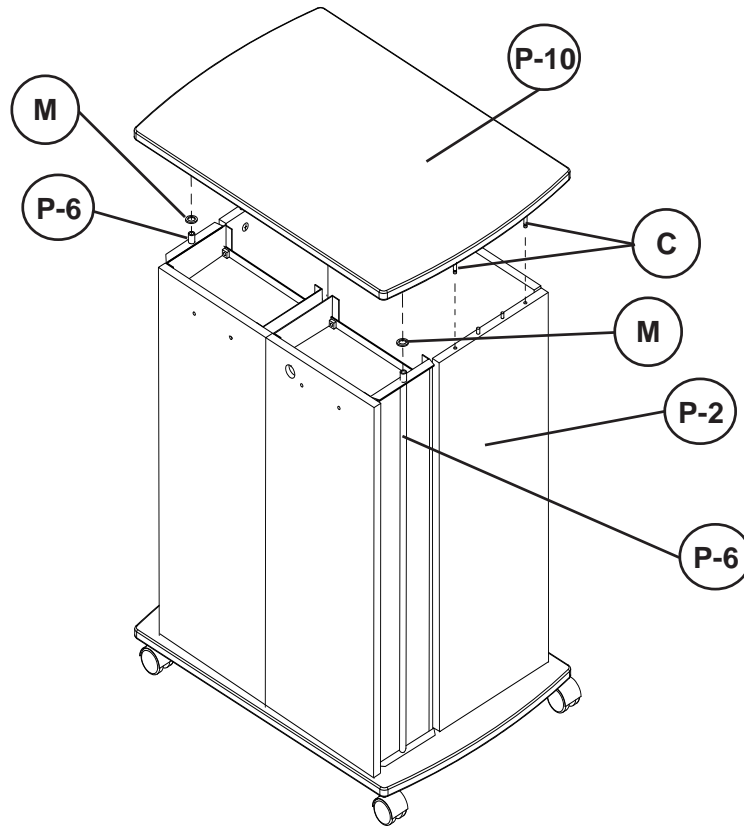


Illustration # 14

20.) Attach the Door Handles (H) to the front of each Door Panel using two Door Handle Screws (I) to secure each. See illustration #15.

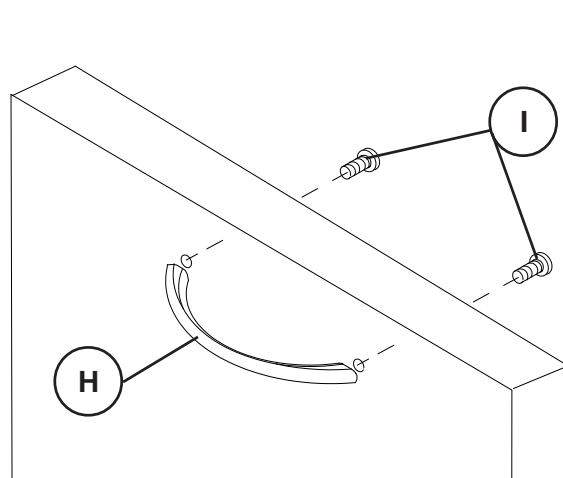


Illustration # 15

21.) Install the Door Lock (J) to the Right Door Panel (P-5) as shown in illustration # 16

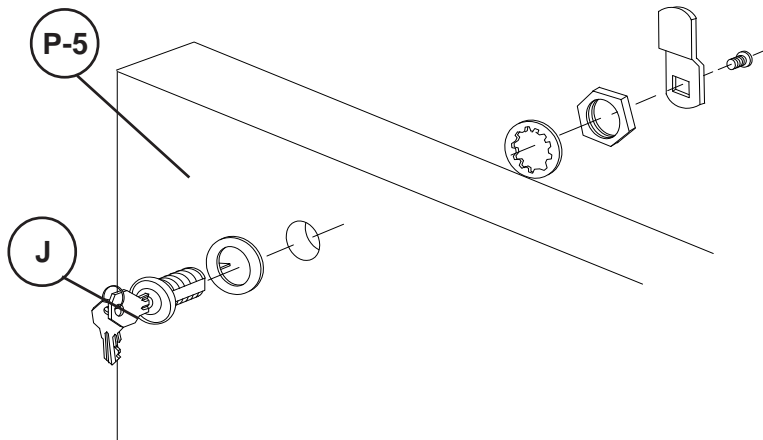
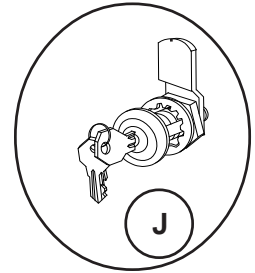


Illustration # 16



22.) Place the Shelf (P-11) inside the cart on the Shelf Supports (E). Attach the Lock Plate (K) to the Left Door Panel (P-4) using two screws Lock Plate Screws (L) in the location shown in illustration #17.

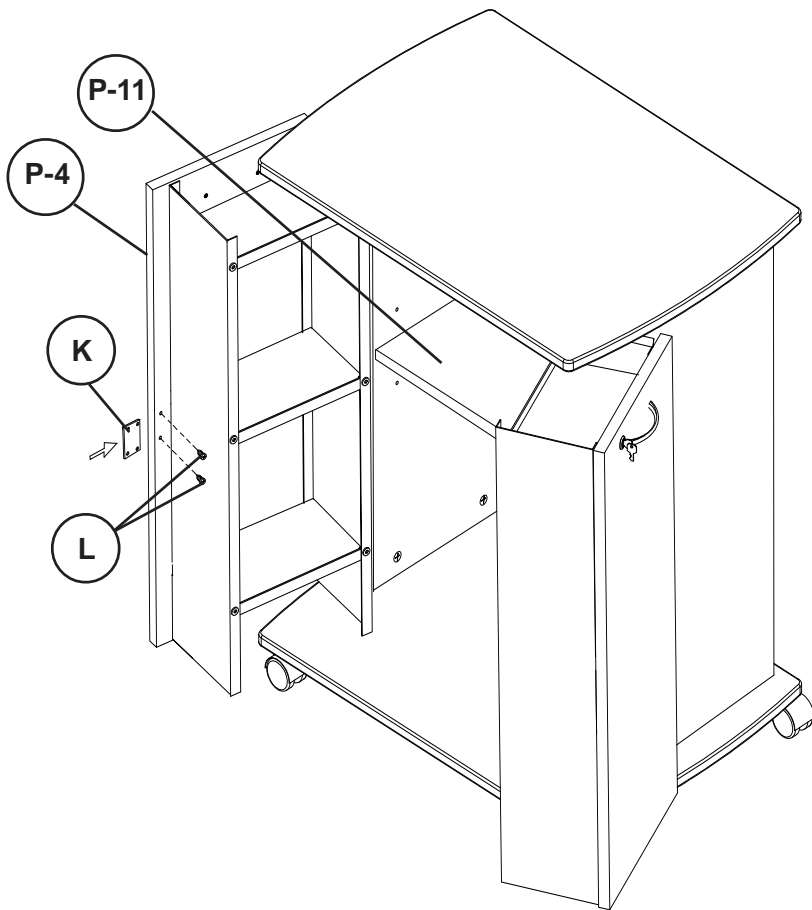


Illustration # 17

27666

Refreshment / Utility Cart

