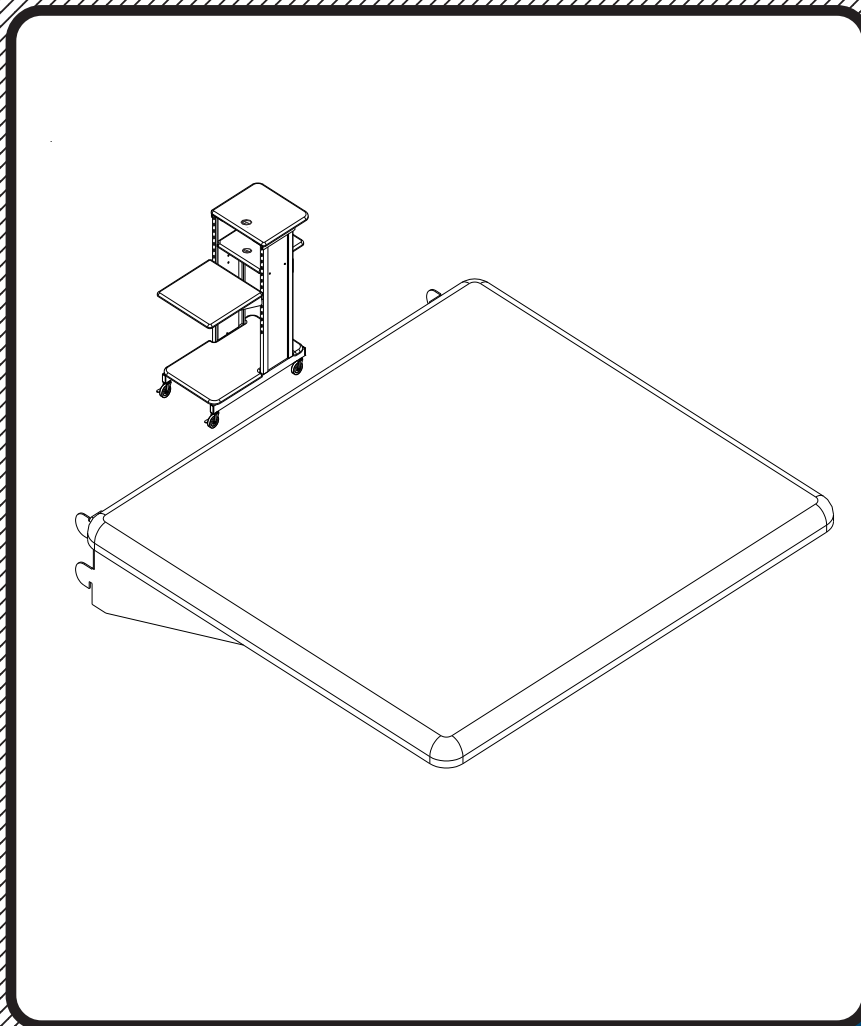


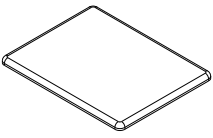






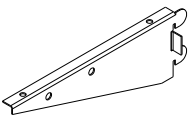
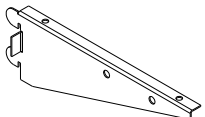
# 34405 Optional Shelf

for Presentation Cart #89759



## Assembly Instructions

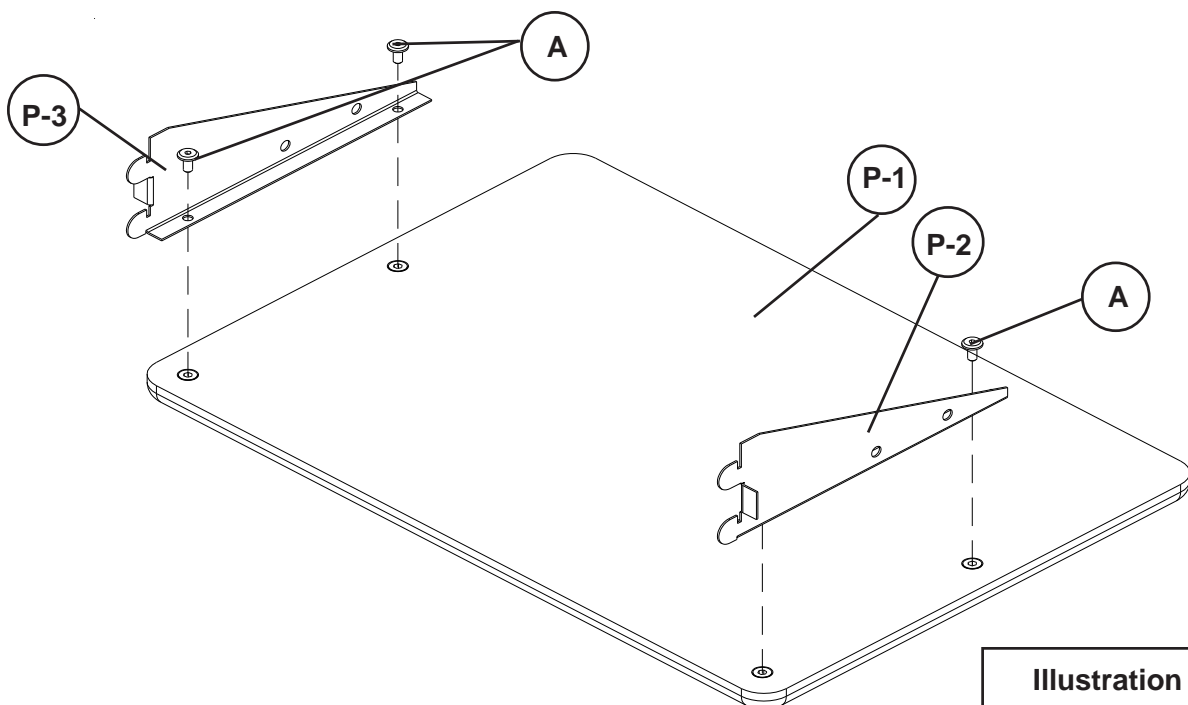
# Assembly Instructions

Part	Drawing	Description	Qty	Part	Drawing	Description	Qty								
P1		Wood Platform	1 EA	<div style="border: 2px solid black; padding: 10px;"> <p style="text-align: center;">Hardware List</p> <table border="0"> <tr> <td>A</td> <td></td> <td>9/16" Socket Screw</td> <td>4 EA</td> </tr> <tr> <td>B</td> <td></td> <td>Allen Wrench</td> <td>1 EA</td> </tr> </table> </div>				A		9/16" Socket Screw	4 EA	B		Allen Wrench	1 EA
A		9/16" Socket Screw	4 EA												
B		Allen Wrench	1 EA												
P2		Right Shelf Bracket	1 EA												
P3		Left Shelf Bracket	1 EA												

**READ THROUGH INSTRUCTIONS FROM BEGINNING TO END BEFORE STARTING TO ASSEMBLE UNIT.**

- 1.) Identify and Separate all the Parts and Hardware.
- 2.) Place the Wood Platform (P-1) with the insert nuts facing up.
- 3.) Attach Right Shelf Bracket (P-2) and Left Shelf Bracket (P-3) to Wood Platform (P-1) using 4 Flat Head screws (A) as shown in illustration # 1.

***(Finger tighten only)***



**Illustration # 1**

- 4.) Attach Right Shelf Bracket (P-2) and Left Shelf Bracket (P-3) to the Right & Left Leg Assemblies at the desired height as shown in illustration # 2.  
(Tighten 4 screws under Laptop Shelf (P-1) using Allen Wrench (B)).

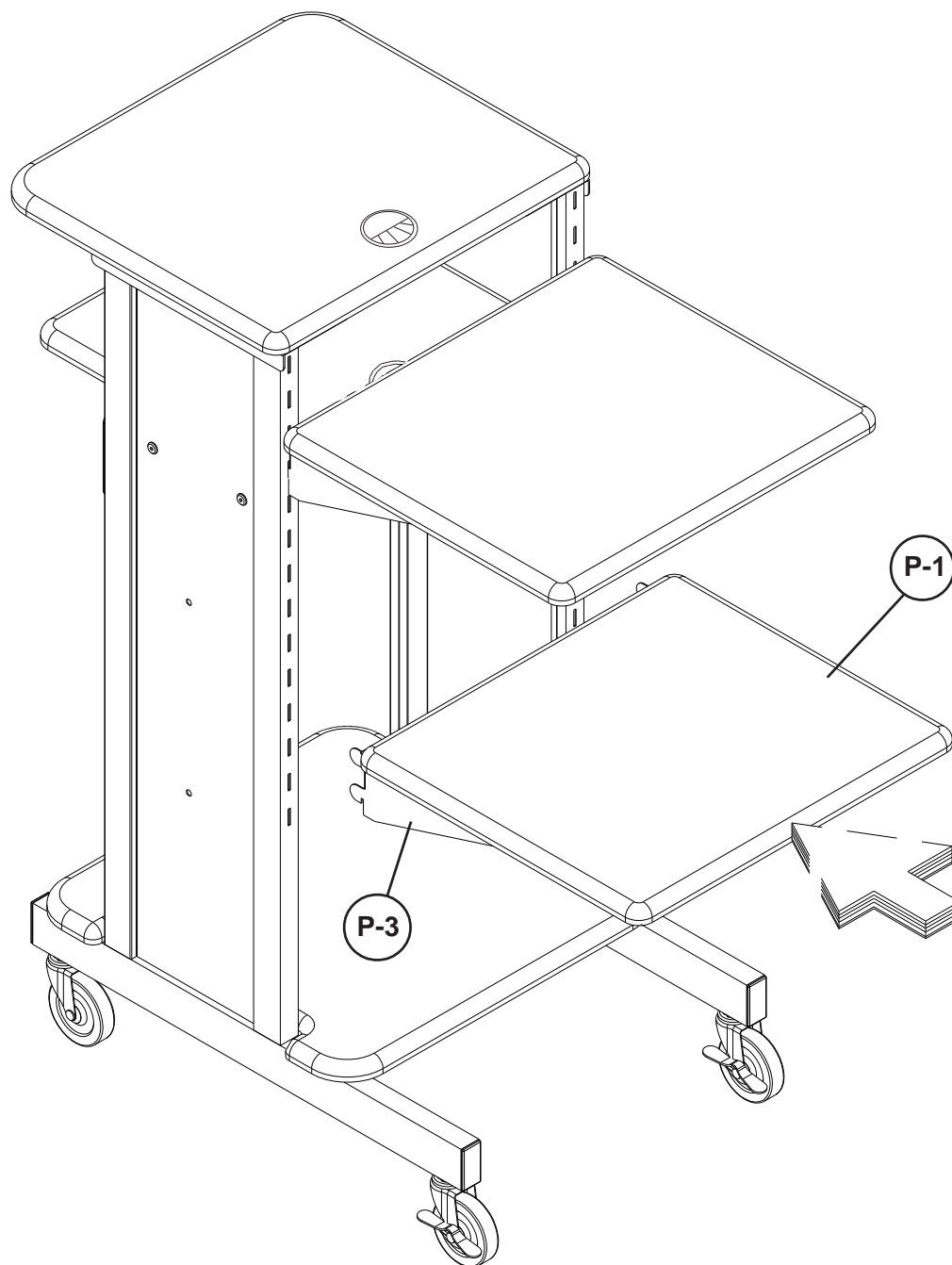
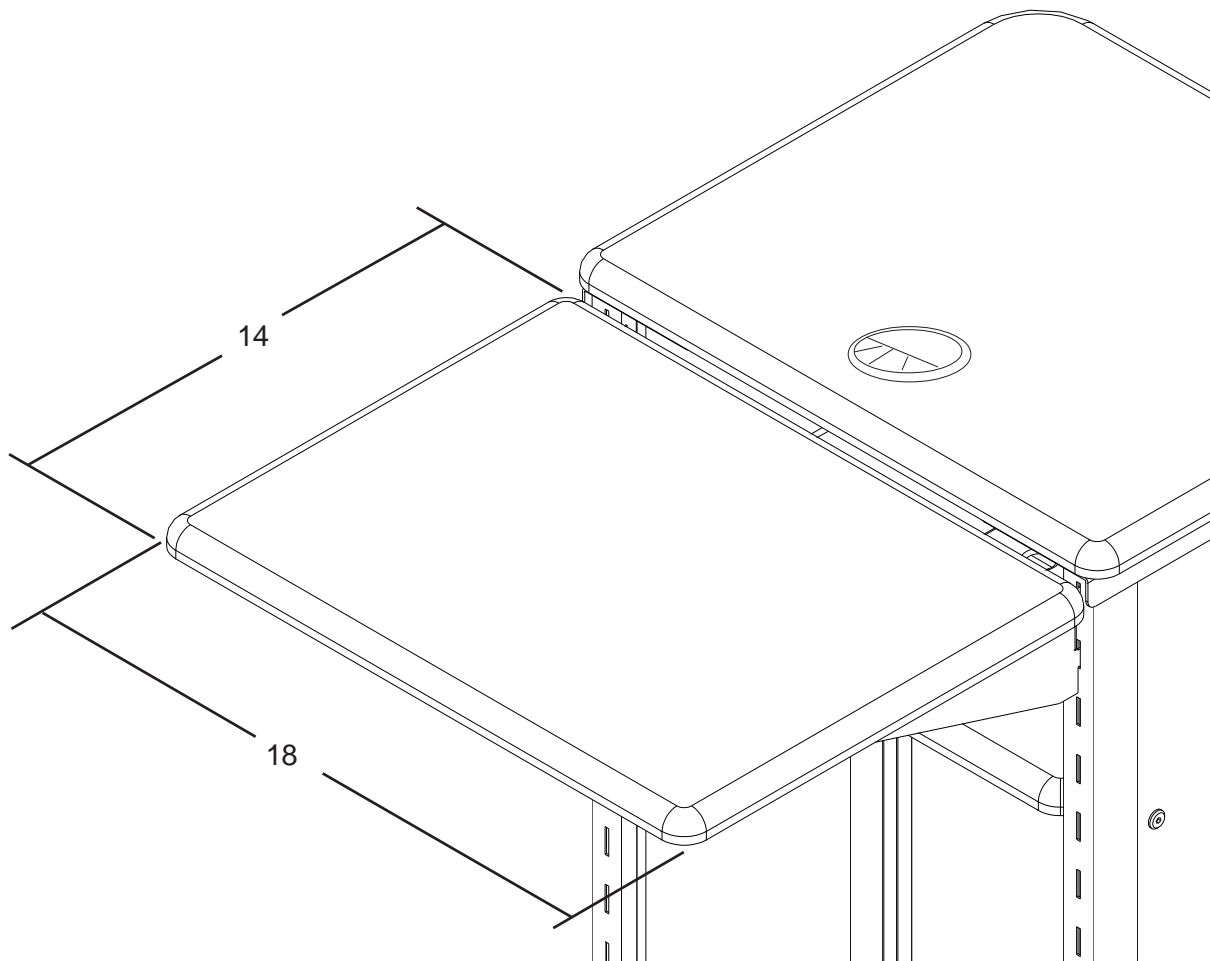


Illustration # 2

# #34405 Optional Shelf

for Presentation Cart #89759



## Shipping Information

0.5 Cubic Feet

7.0 lbs.

