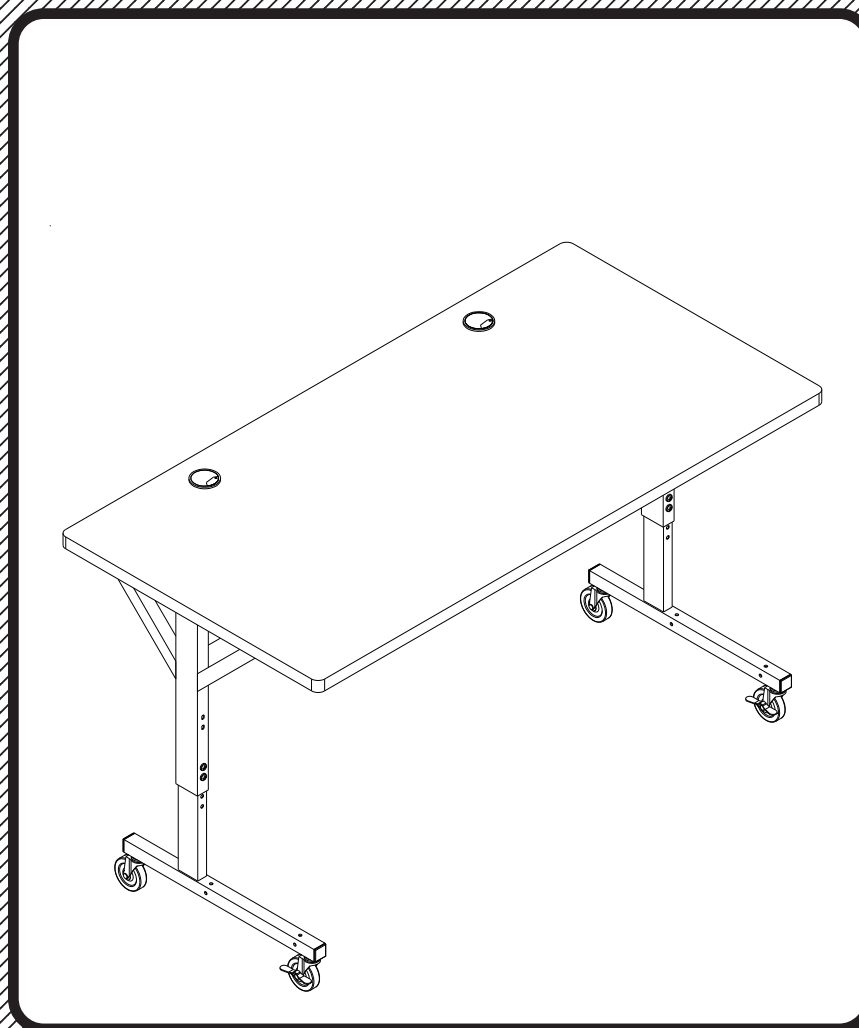


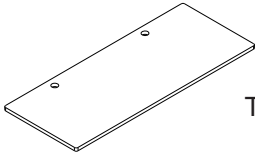
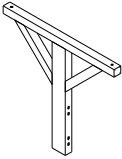
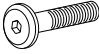
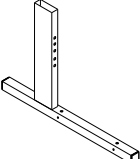

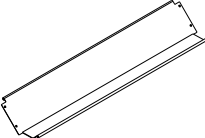

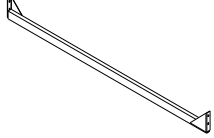

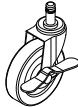


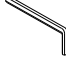

Brawny 60X30

Adjustable Height Table



Assembly Instructions

Brawny 60X30

Part	Drawing	Description	Qty	Part	Drawing	Description	Qty
P1		Top Platform	1 EA	Hardware List			
P2		Upper Leg Receiver	2 EA	A1		Socket Screw M6x40mm	8 EA
P3		Lower Leg Insert	2 EA	A2		Socket Screw M6X8mm	8 EA
P4		Stability Panel	1 EA	B		Hex Nut 6mm	4 EA
P5		Crossbrace	1 EA	C		Leveling Glide	4 EA
				D		3" Locking Caster (for front)	2 EA
				E		3" Caster (for Back)	2 EA
				F		Plastic Grommet	2 EA
				G		Allen Wrench	1 EA
				H		Caster Wrench	1 EA

We recommend that you assemble this unit on a table.

Assembly Diagram

READ THROUGH INSTRUCTIONS FROM BEGINNING TO END BEFORE STARTING TO ASSEMBLE UNIT.

- 1.) Identify and Separate all the Parts and Hardware
- 2.) Attach Crossbrace (P5) to the 2 Upper Receivers (P2) using 4 Screws (A1) and 4 Hex nuts (B) as shown in illustration #1.
(Finger tighten only)

- 3.) Place the Top Platform (P1) with the insert nuts facing up. Attach 2 Upper Receivers (P2) to the Top Platform (P-1) using 4 Screws (A1) as shown in illustration #2.
(Finger tighten only)

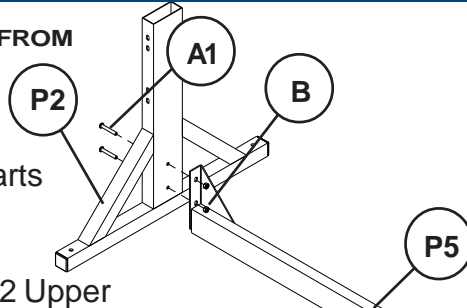


Illustration # 1

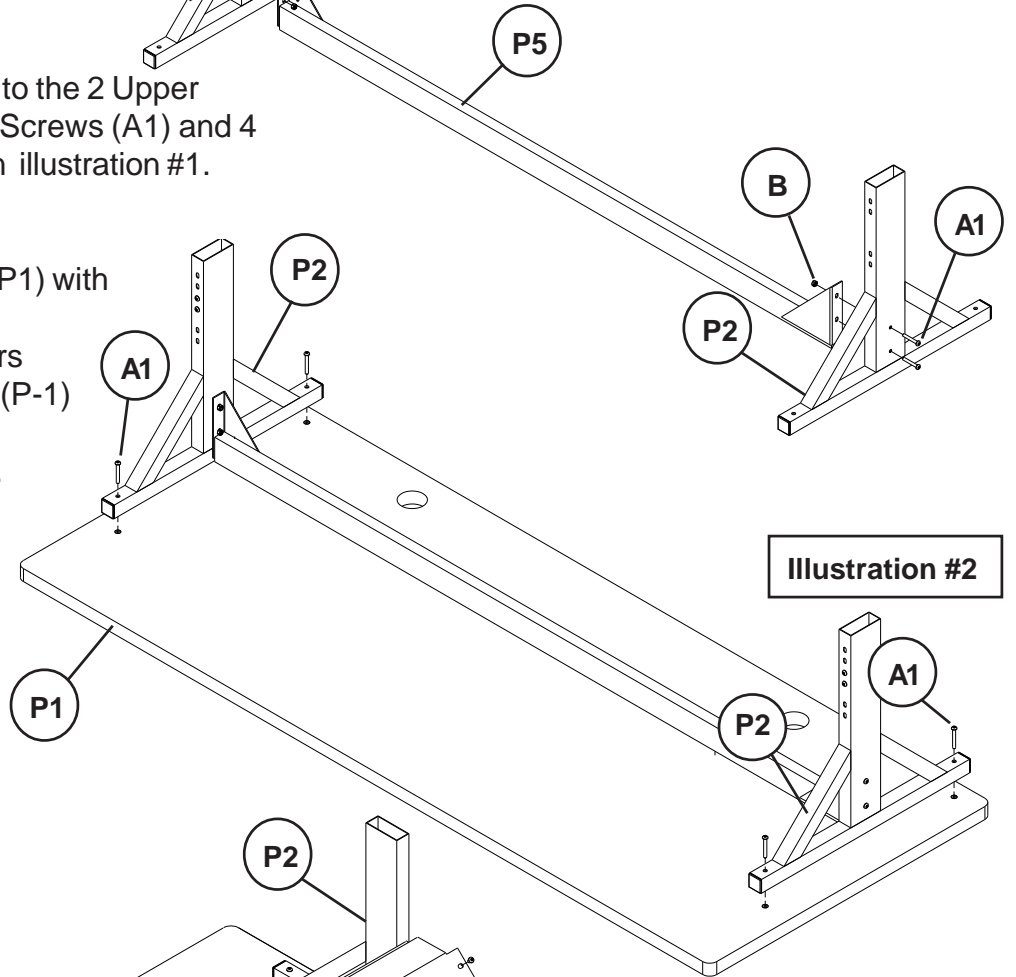


Illustration #2

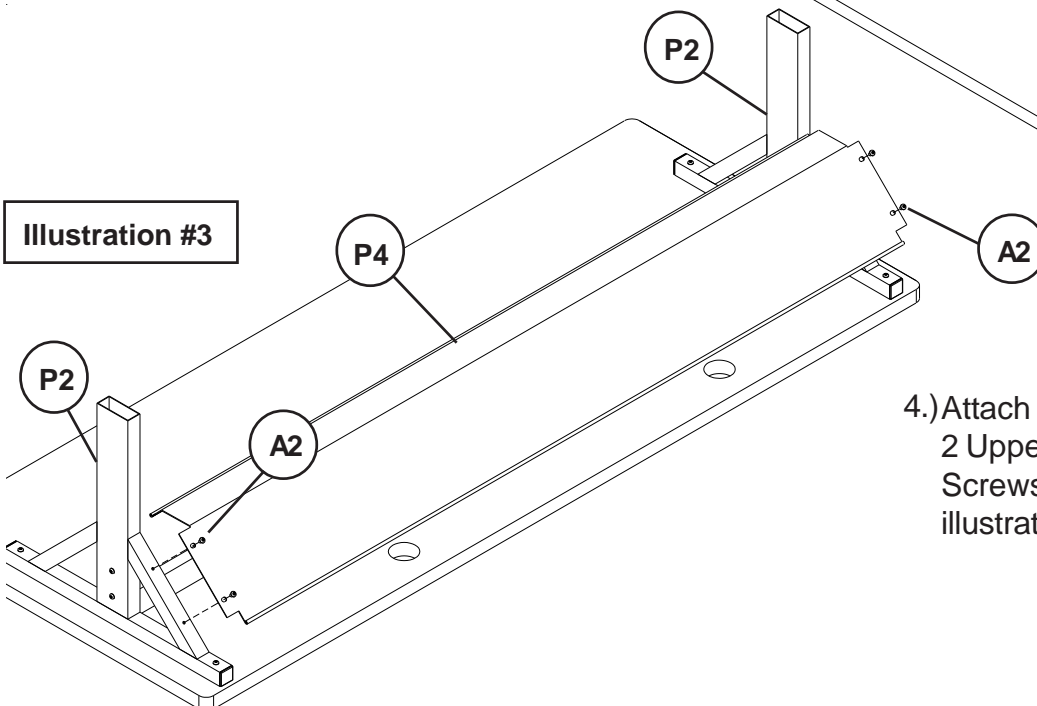


Illustration #3

- 4.) Attach Stability Panel (P4) to the 2 Upper Receivers (P2) using 4 Screws (A2) as shown in illustration #3.

Illustration #4

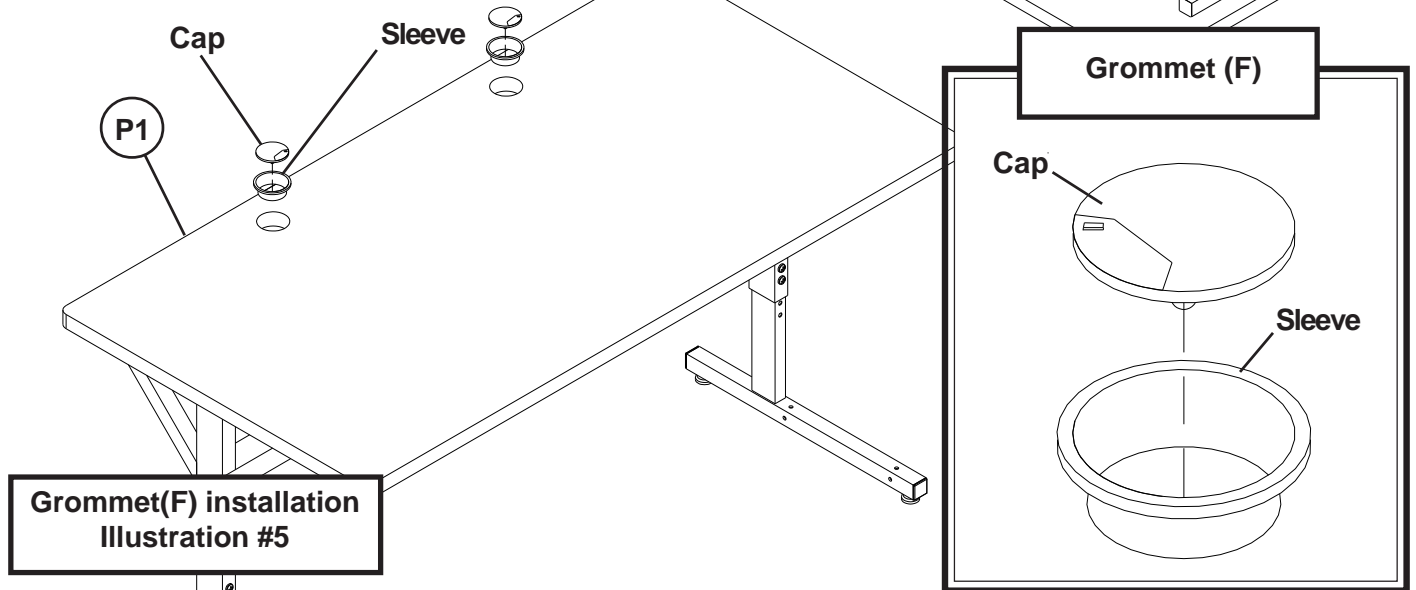
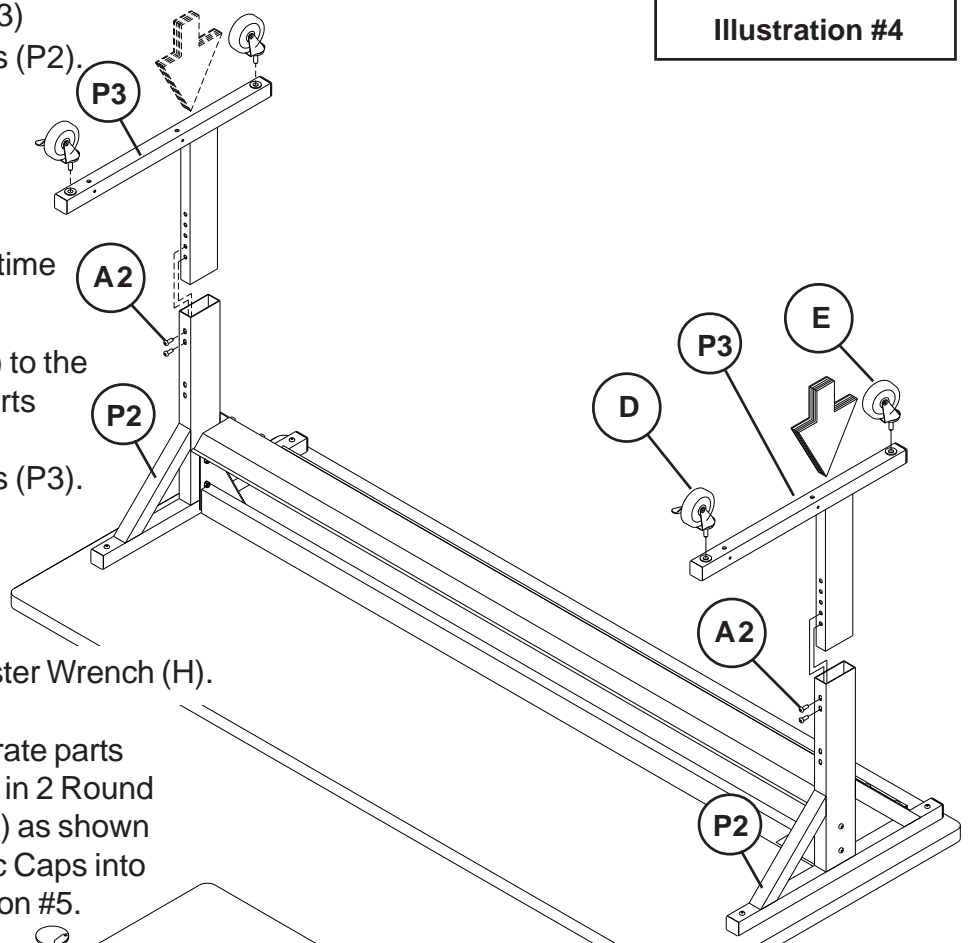
5.) Slide 2 Lower Leg Inserts (P3) into the Upper Leg Receivers (P2). Secure at desired height using 4 Screws (A2) as shown in illustration #4.

6.) Tighten all the screws at this time using Allen Wrench (G).

7.) Attach 2 Locking Casters (D) to the front of the 2 Lower Leg Inserts (P3) and 2 Casters (E) to the back of the Lower Leg Inserts (P3). (Use 4 each (C) Leveling Glides in place of Casters for stationary use.)

8.) Tighten all Casters using Caster Wrench (H).

9.) To install Grommet (F), separate parts and press Grommet Sleeves in 2 Round openings in Top Platform (P1) as shown in illustration #5. Snap plastic Caps into Sleeves as shown in illustration #5.



**Grommet(F) installation
Illustration #5**