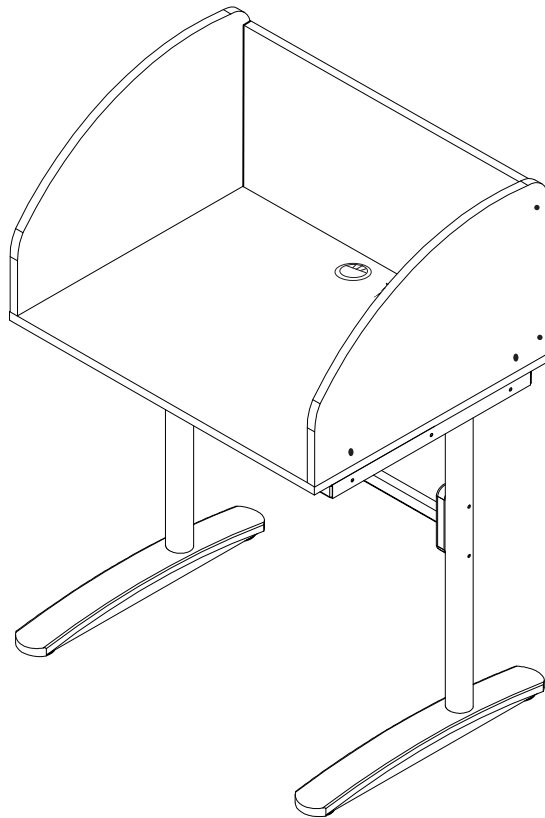


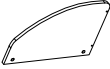


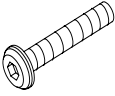
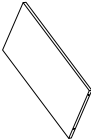

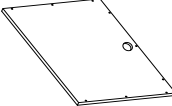
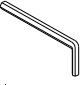






BLT-90082, 90084

Lumina Carrel - Starter



Assembly Instructions

Lumina Carrel- Starter

Part	Drawing	Description	Qty	Part	Drawing	Description	Qty
				Hardware List			
P-1		Right Side Panel	1 EA	A-1		Screw M6X25mm	4 EA
P-2		Left Side Panel	1 EA	A-2		Allen Head Screw-Large	4 EA
P-3		Back Panel	1EA	B		Campost	10 EA
P-4		Top Panel	1 EA	C		Allen Wrench	1 EA
P-5		Leg	2 EA	D		Cam	10 EA
P-6		Leg Brace	1 EA	E		Wood Dowel	3 EA
				F		Top Grommet	1 EA
				G		Glides	4 EA

Lumina Carrel Assembly Instructions

READ THROUGH INSTRUCTIONS FROM BEGINNING TO END BEFORE STARTING TO ASSEMBLE UNIT.

- 1.) Identify and Separate all the Parts and Hardware.
 - 2.) Screw in 2 Glides (G) into the bottom of each Leg (P-5) as shown in Illustration #1.

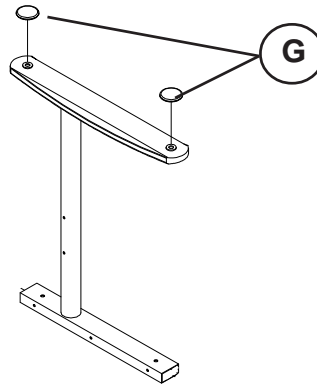


Illustration # 1

- 3.) Attach Leg Brace (P-6) to the inside of each Leg (P-5) using two Screws (A-1) as shown in Illustration # 2. Tighten Screws (A-1) using Allen Wrench (C)

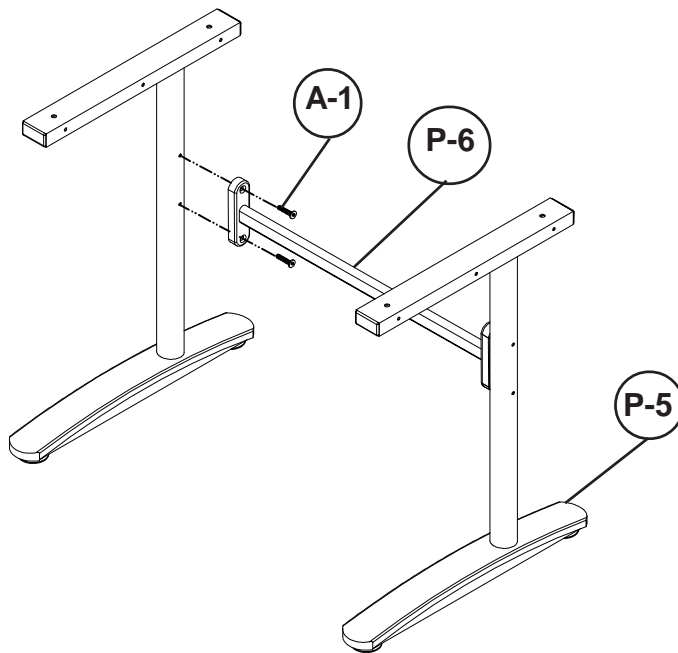


Illustration # 2

4.) Attach the Top Panel (P-4) to Leg (P-5) using two Screws (A-2). Repeat this step for the second Leg (P-5) as shown in Illustration #3.

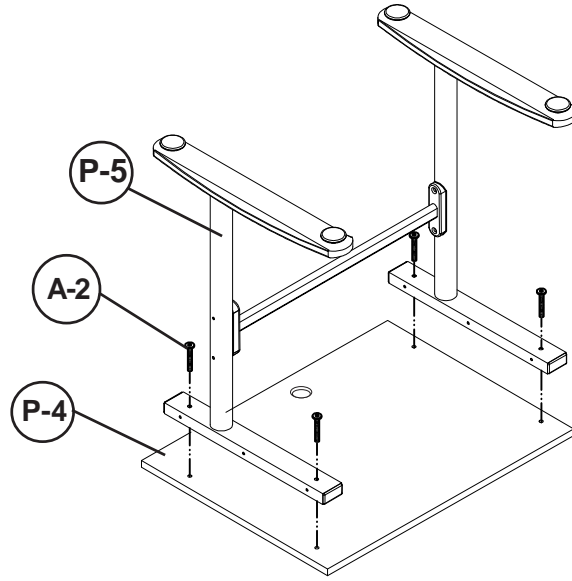


Illustration # 3

5.) Screw in six Camposts (B) into the threaded inserts in the top of the Top Panel (P-4). Push in three Wood Dowels (E) into the three predrilled holes in the top of the Top Panel (P-4) as shown in Illustration #4.

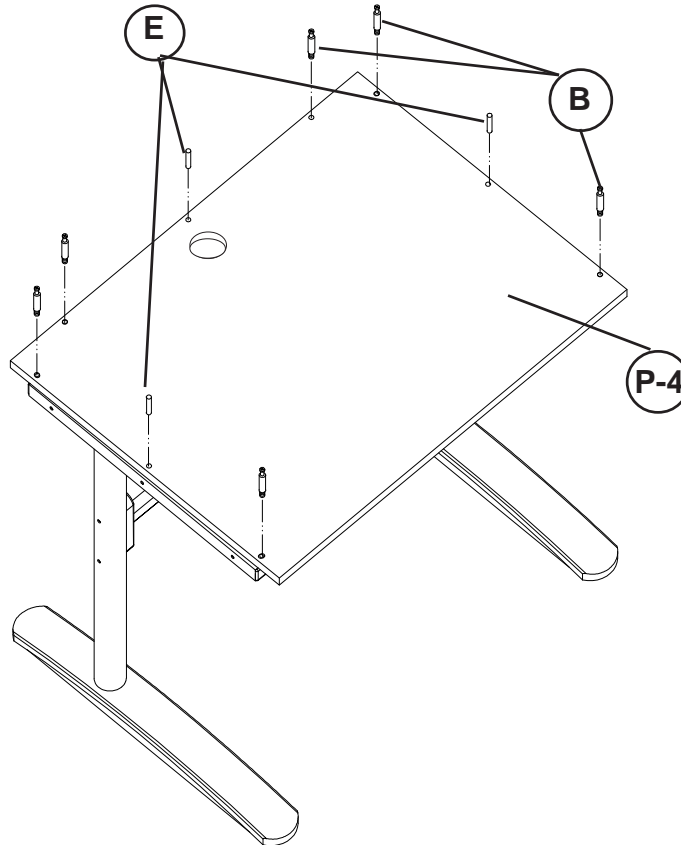
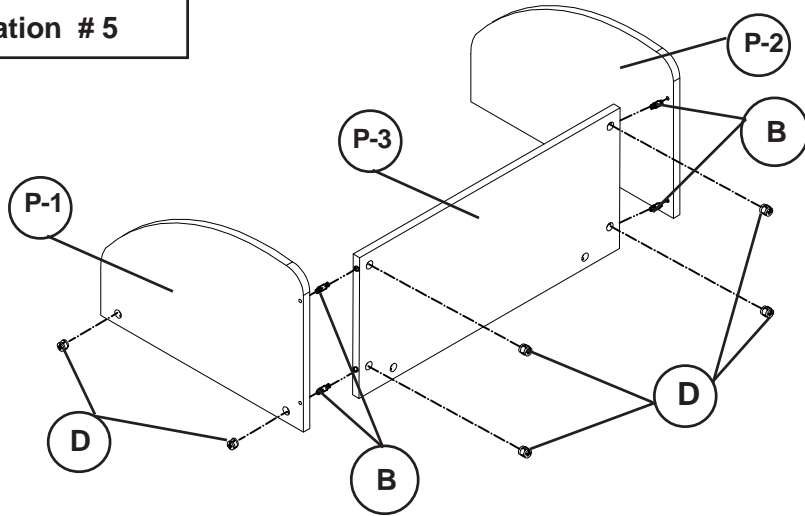


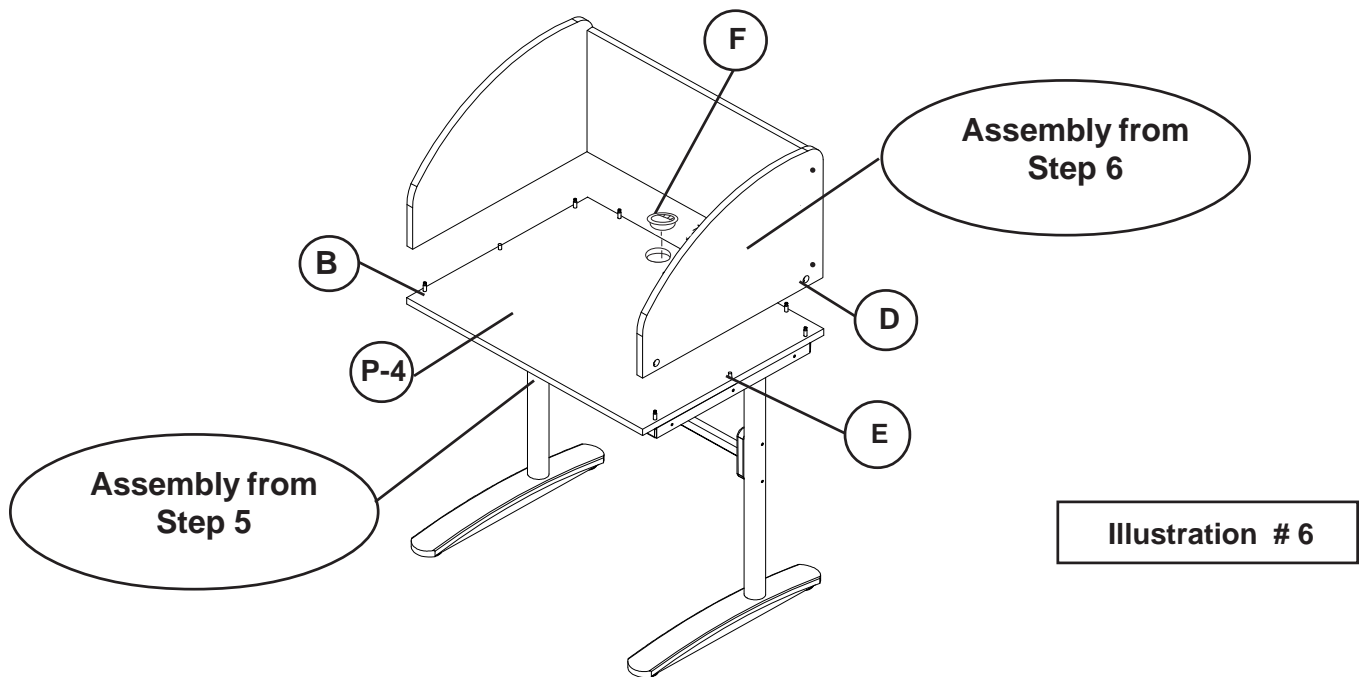
Illustration # 4

6.) Insert two Cams (D) into the large predrilled holes in the Right Side Panel (P-1) and four Cams (D) into the large predrilled holes in the Back Panel (P-3). Make sure the arrow on Cam (D) is to the outside and pointed to the connecting hole in the edge. Screw in two Camposts into each inside threaded hole on the Left Side Panel (P-2) and the Right Side Panel (P-1) as shown in Illustration #5. Align holes with the Camposts (B) while you push the panels together. Turn the Cams (D) one quarter turn clockwise to lock the assembly together.

Illustration # 5



7.) Place Cams (D), with the arrows to the outside and pointing to the connecting hole in the edge, in the remaining open large predrill holes in Position the Assembly from Step 6 over the Assembly from Step 5. Align the holes in the bottom of the Assembly from Step 6 with the Camposts (B) and Wood Dowels (E) in the Top Panel (P-4) and mate the two Assemblies. Turn the Cams(D) one quarter turn clockwise to lock into position as shown in Illustration #6.



8.) Insert the Top Grommet (F) into the cut-out in the Top Panel (P-4).

BLT-90082, 90084 Lumina Carrel - Starter

