



Trusted Quality Fall Protection

INSTRUCTION MANUAL

ANSI Z359.14 Class B
ANSI A10.32
CSA Z259.2.2-98 Type 1 and Type 2

OSHA

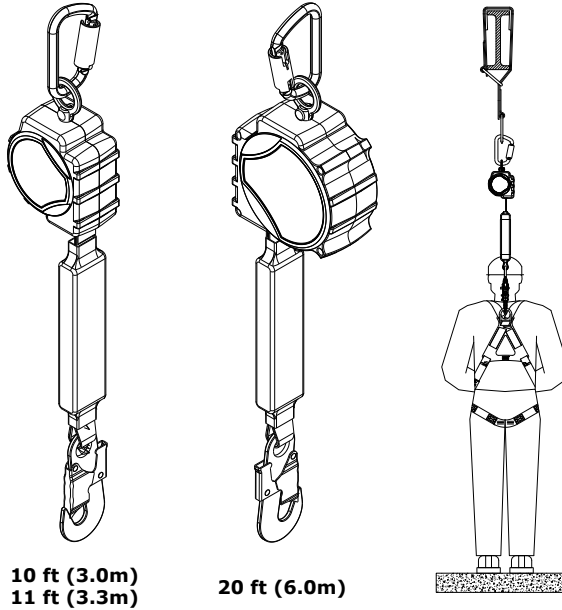
This manual is intended to meet the Manufacturer's Instructions as required by the above listed standards and should be used as part of an employee training program as required by OSHA.

Rebel™

SELF RETRACTING LIFELINES

Model Numbers: (See Figure 1)

Figure 1 – Rebel™ Self Retracting Lifeline Models



10 ft (3.0m)
11 ft (3.3m)

20 ft (6.0m)

A - Steel Carabiner

B - Steel Snap Hook

C - Steel Swiveling Snap Hook

D - Steel Rebar Hook

Swivel End		Lifeline End		Model		Swivel End	Lifeline End		
	ANSI	3100425	11 ft (3.3m)	1	1				
		3100426	11 ft (3.3m)	1			1		
		3100427	11 ft (3.3m)	1				1	
		3100431	20 ft (6.0m)	1	1				
		3100432	20 ft (6.0m)	1			1		
		3100433	20 ft (6.0m)	1				1	
	CSA	Type 1	3100428	10 ft (3.0m)	1	1			
			3100429	10 ft (3.0m)	1			1	
			3100430	10 ft (3.0m)	1				1
		Type 2	3100434	20 ft (6.0m)	1	1			
3100435	20 ft (6.0m)		1			1			
		3100436	20 ft (6.0m)	1			1		

WARNING: This product is part of a personal fall arrest, work positioning, or rescue system. The user must follow the manufacturer's instructions for each component of the system. These instructions must be provided to the user of this equipment. The user must read and understand these instructions before using this equipment. Manufacturer's instructions must be followed for proper use and maintenance of this equipment. Alterations or misuse of this product or failure to follow instructions may result in serious injury or death.

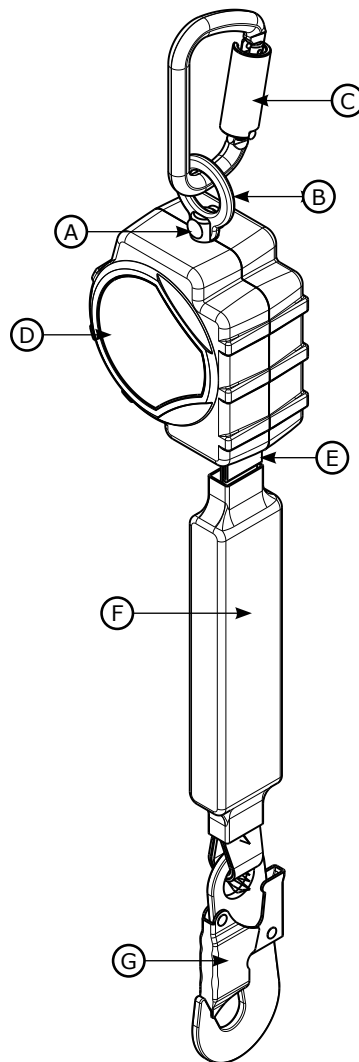
IMPORTANT: If you have questions on the use, care, or suitability of this equipment for your application, contact Capital Safety.

IMPORTANT: Before using this equipment, record the product identification information from the ID label in the inspection and maintenance log of this manual.

DESCRIPTIONS:

Rebel SRLs are available in 10 ft. (3.0m) (CSA only), 11 ft. (3.3m) (ANSI only), and 20 ft. (6.0m) (CSA and ANSI) lifeline lengths (See Figure 1). Rebel SRLs are equipped with an in-line Energy Absorber which retracts into a Thermoplastic Housing. The Rebel SRL automatically locks at the onset of a fall to arrest the fall, but pays out and retracts lifeline during normal movement by the attached user. Figure 2 illustrates key components of the base Rebel™ Self Retracting Lifeline (SRL).

Figure 2 – Rebel Self Retracting Lifeline (SRL) Components



A - Swivel B - Swivel Eye C - Carabiner D - Housing E - Web Lifeline F - Energy Absorber G - Snap Hook

1.0 APPLICATIONS

- 1.1 PURPOSE:** Capital Safety Self Retracting Lifelines (SRLs) are designed to be a component in a personal fall arrest system (PFAS). Figure 1 illustrates SRLs covered by this instruction manual and their typical applications. They may be used in most situations where a combination of worker mobility and fall protection is required (i.e. inspection work, general construction, maintenance work, oil production, confined space work, etc.).
- 1.2 STANDARDS:** Your SRL conforms to the national standard(s) identified on the front cover of these instructions. Refer to local, state, province, and national requirements governing occupational safety for additional information regarding Personal Fall Arrest Systems. Refer to the following national standards on fall protection:

ANSI	Z359.0	Definitions and Nomenclature Used for Fall Protection and Fall Arrest	ANSI	ANSI A10.32	Personal Fall Protection use in Construction and Demolition
ANSI	Z359.1	Safety Requirements for Personal Fall Arrest Systems, Subsystems, and Components	CSA	Z359.2.2	Self-Retracting Devices for Personal Fall Arrest Systems
ANSI	Z359.2	Minimum Requirements for a Comprehensive Managed Fall Protection Program			

- 1.3 TRAINING:** This equipment is intended to be used by persons trained in its correct application and use. It is the responsibility of the user to assure they are familiar with these instructions and are trained in the correct care and use of this equipment. Users must also be aware of the operating characteristics, application limits, and the consequences of improper use.

2.0 LIMITATIONS & REQUIREMENTS

Always consider the following limitations and requirements when installing or using this equipment:

- 2.1 CAPACITY:** SRLs are designed for use by one person with a combined weight (person, clothing, tools, etc.) not exceeding 310 lbs (140 kg) and at least 75 lbs (34 kg).

At no time shall more than one person connect to a single SRL for fall arrest applications.

- 2.2 MAXIMUM ARREST FORCE AND MAXIMUM ARREST DISTANCE:** SRLs documented in this instruction meet the following Arrest Force and Arrest Distance maximums:

Weight of Worker	Average Arresting Force	Maximum Arresting Force	Maximum Arrest Distance
Up to 310 lbs (140 kg)	900 lbs (4.0 kN)	1,350 lbs (6.0 kN)	42 in (1.07 m)

- 2.3 ANCHORAGE:** Anchorages selected for fall arrest systems shall have a strength capable of sustaining static loads applied in the directions permitted by the system of at least:

- 5,000 lbs. (22.2 kN) for non-certified anchorages, or
- Two times the maximum arresting force for certified anchorages.

When more than one fall arrest system is attached to an anchorage, the strengths set forth in (1) and (2) above shall be multiplied by the number of systems attached to the anchorage.

NOTE: Anchorages used for attachment of personal fall arrest systems shall be independent of any anchorage being used to support or suspend platforms, and capable of supporting at least 5,000 lbs. per user attached, or be designed, installed, and used as part of a complete personal fall arrest systems which maintains a safety factor of at least two, and is under the supervision of a qualified person.

- 2.4 RESCUE PLAN:** When using this equipment, the employer must have a rescue plan and the means at hand to implement it and communicate that plan to users, authorized persons, and rescuers.

- 2.5 INSPECTION FREQUENCY:** Table 1 indicates inspection frequency. SRLs shall be inspected by the Authorized Person¹ or Rescuer² before each use (See Table 2). Additionally, inspections shall be conducted by a Competent Person³ other than the user, and by a factory authorized inspection entity.

NOTE: CSA Z259.2.2 Type 2 SRLs must be submitted to a Capital Safety Authorized Service Agent within 2 years of the date of manufacture for inspection and maintenance, and annually thereafter. The Authorized Service Agent will record their findings and label the product with the next annual service date.

Table 1 – Inspection Schedule

Type of Use	Application Examples	Conditions of Use	Inspection Frequency	
			Competent Person	User
Infrequent to Light	Rescue and Confined Space, Factory Maintenance	Good Storage Conditions, Indoor or Infrequent Outdoor Use, Room Temperature, Clean Environments	Annually	Before each use
Moderate to Heavy	Transportation, Residential Construction, Utilities, Warehouse	Fair Storage Conditions, Indoor and Extended Outdoor Use, All Temperatures, Clean or Dusty Environments	Semi-Annually to Annually	Before each use
Severe to Continuous	Commercial Construction, Oil and Gas, Mining	Harsh Storage Conditions, Prolonged or Continuous Outdoor Use, All Temperatures, Dirty Environment	Quarterly to Semi-Annually	Before each use

1 Authorized Person: A person assigned by the employer to perform duties at a location where the person will be exposed to a fall hazard.

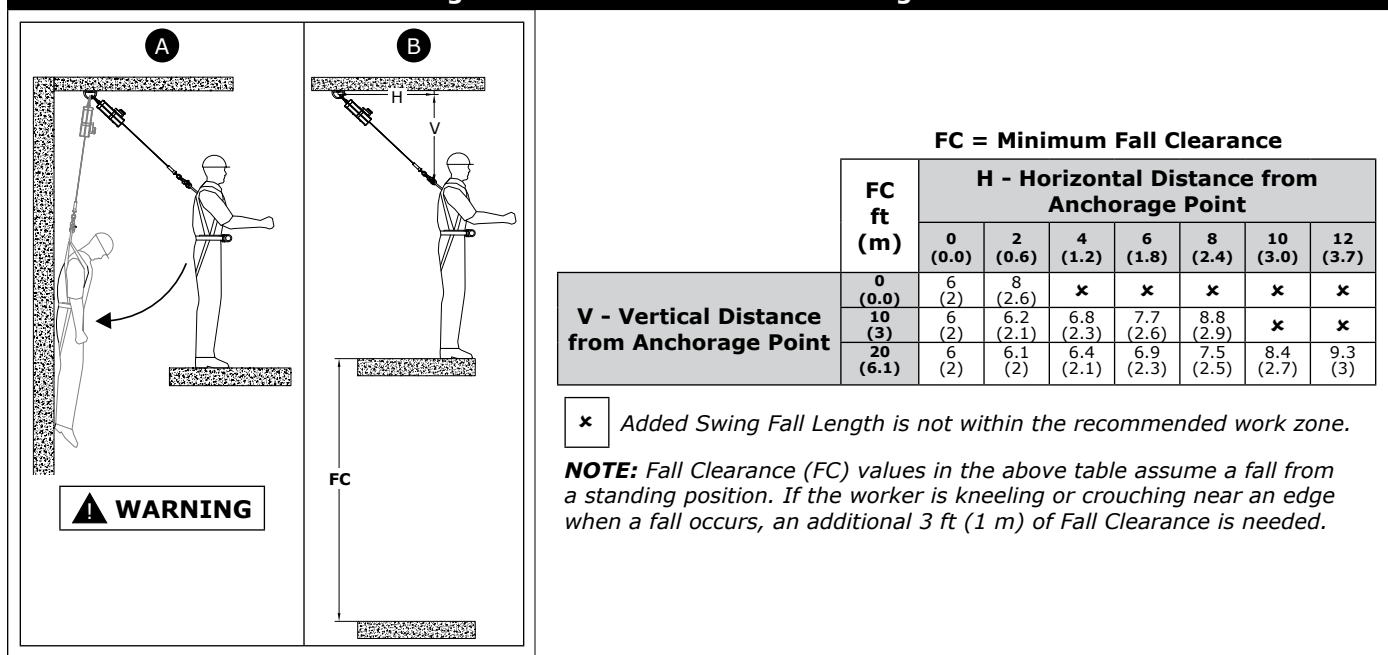
2 Rescuer: Person or persons other than the rescue subject acting to perform an assisted rescue by operation of a rescue system.

3 Competent Person: An individual designated by the employer to be responsible for the immediate supervision, implementation, and monitoring of the employer's managed fall protection program who, through training and knowledge, is capable of identifying, evaluating, and addressing existing and potential fall hazards, and who has the employer's authority to take prompt corrective action with regard to such hazards.

Results of the Authorized Service or Competent Person inspection should be recorded in the "Inspection and Maintenance Log" at the back of these instructions (see Section 5).

- 2.6 LOCKING SPEED:** Situations which do not allow for an unobstructed fall path should be avoided. Working in confined or cramped spaces may not allow the body to reach sufficient speed to cause the SRL to lock if a fall occurs. Working on slowly shifting material, such as sand or grain, may not allow enough speed buildup to cause the SRL to lock. A clear path is required to assure positive locking of the SRL.
- 2.7 NORMAL OPERATIONS:** Normal operation will allow the full length of the lifeline to extend and retract with no hesitation when extending and no slack when retracting as the worker moves at normal speeds. If a fall occurs, a speed sensing brake system will activate, stopping the fall and absorbing much of the energy created. For falls which occur near the end of the lifeline travel, a reserve lifeline system or energy absorber has been incorporated to assure a reduced impact fall arrest. If the SRL has been subjected to fall forces, remove the SRL from service, mark "UNUSABLE" and send to an authorized service center for repair. Sudden or quick movements should be avoided during normal work operation, as this may cause the SRL to lock up.
- 2.8 FREE FALL:** When anchored overhead, SRLs will limit the free fall distance to 2 ft. (0.6 m) or less. To avoid increased fall distances, anchor the SRL directly above the worker. Avoid working where your lifeline may cross or tangle with that of another worker. Avoid working where an object may fall and strike the lifeline; resulting in loss of balance or damage to the lifeline. Do not allow the lifeline to pass under arms or between legs. Never clamp, knot, or prevent the lifeline from retracting or being taut. Avoid slack line. **Do not lengthen SRL by connecting a lanyard or similar component without consulting Capital Safety.**
- 2.9 SWING FALLS:** Swing Falls occur when the anchorage point is not directly above the point where a fall occurs. The force of striking an object in a swing fall may cause serious injury (see Figure 3A). Minimize swing falls by working as directly below the anchorage point as possible.
- 2.10 FALL CLEARANCE:** Figure 3B illustrates Fall Clearance. SRL Fall Arrest Systems should have a minimum Fall Clearance of 6 ft (2 m) for falls from a standing position where the SRL is anchored directly overhead. Falls from a kneeling or crouching position will require an additional 3 ft (1 m) of Fall Clearance. In a swing fall situation, the total vertical fall distance will be greater than if the user had fallen directly below the anchorage point and may require additional Fall Clearance. The table in Figure 3 provides the minimum vertical Fall Clearance needed below the working level of the SRL user where added Swing Fall distance is within the recommended range of use.

Figure 3 – Fall Clearance and Swing Falls



NOTE: The clearances provided above assume the fall occurs from the standing position. If the worker is kneeling or crouching an additional 3 ft (1 m) of clearance is needed.

- 2.11 HAZARDS:** Use of this equipment in areas where surrounding hazards exist may require additional precautions to reduce the possibility of injury to the user or damage to the equipment. Hazards may include, but are not limited to: high heat, caustic chemicals, corrosive environments, high voltage power lines, explosive or toxic gases, moving machinery, sharp edges, or overhead materials that may fall and contact the user or fall arrest system.
- 2.12 SHARP EDGES:** Avoid working where the lifeline will be in contact with or abrade against unprotected sharp edges. Where contact with a sharp edge is possible, cover the edge with a protective material.
- 2.13 BODY SUPPORT:** A Full Body Harness must be used with the Self Retracting Lifeline. The harness connection point must be above the user's center of gravity. A body belt is not authorized for use with the Self Retracting Lifeline. If a fall occurs when using a body belt it may cause unintentional release or physical trauma from improper body support.
- 2.14 COMPATIBILITY OF COMPONENTS:** Unless otherwise noted, Capital Safety equipment is designed for use with Capital Safety approved components and subsystems only. Substitutions or replacements made with non approved components or subsystems may jeopardize compatibility of equipment and may affect safety and reliability of the complete system.

IMPORTANT: Read and follow manufacturer's instructions for associated components and subsystems in your personal fall arrest system.

2.15 COMPATIBILITY OF CONNECTORS: Connectors are considered to be compatible with connecting elements when they have been designed to work together in such a way that their sizes and shapes do not cause their gate mechanisms to inadvertently open regardless of how they become oriented. Contact Capital Safety if you have any questions about compatibility.

Connectors (hooks, carabiners, and D-rings) must be capable of supporting at least 5,000 lbs. (22.2 kN). Connectors must be compatible with the anchorage or other system components. Do not use equipment that is not compatible. Non-compatible connectors may unintentionally disengage (see Figure 4). Connectors must be compatible in size, shape, and strength. Self-locking snap hooks and carabiners are required by ANSI Z359 and OSHA.

2.16 MAKING CONNECTIONS: Snap hooks and carabiners used with this equipment must be self-locking. Ensure all connections are compatible in size, shape and strength. Do not use equipment that is not compatible. Ensure all connectors are fully closed and locked.

Capital Safety connectors (snap hooks and carabiners) are designed to be used only as specified in each product's user's instructions. See Figure 5 for examples of inappropriate connections. Do not connect snap hooks and carabiners:

- A. To a D-ring to which another connector is attached.
- B. In a manner that would result in a load on the gate.

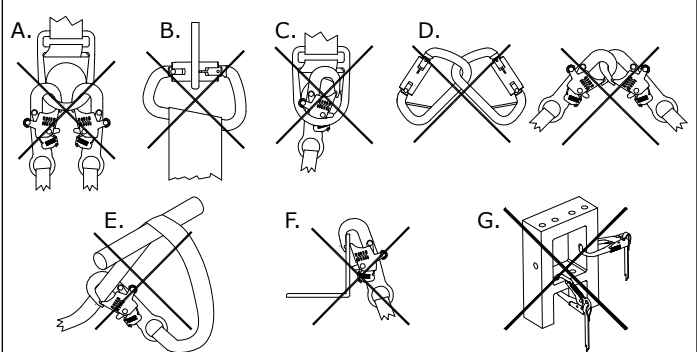
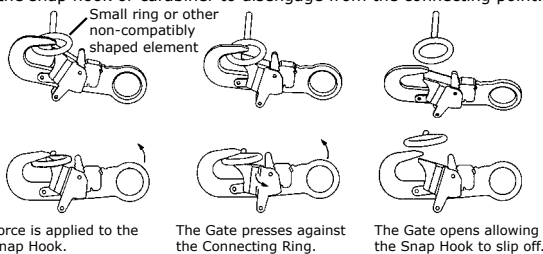
NOTE: Large throat snap hooks should not be connected to standard size D-rings or similar objects which will result in a load on the gate if the hook or D-ring twists or rotates, unless the snap hook complies with ANSI Z359.1-2007 or ANSI Z359.12 and is equipped with a 3,600 lb (16 kN) gate. Check the marking on your snap hook to verify that it is appropriate for your application.

- C. In a false engagement, where features that protrude from the snap hook or carabiner catch on the anchor, and without visual confirmation seems to be fully engaged to the anchor point.
- D. To each other.
- E. Directly to webbing or rope lanyard or tie-back (unless the manufacturer's instructions for both the lanyard and connector specifically allows such a connection).
- F. To any object which is shaped or dimensioned such that the snap hook or carabiner will not close and lock, or that roll-out could occur.
- G. In a manner that does not allow the connector to align properly while under load.

Figure 4 – Unintentional Disengagement

Figure 5 – Inappropriate Connections

If the connecting element to which a snap hook (shown) or carabiner attaches is undersized or irregular in shape, a situation could occur where the connecting element applies a force to the gate of the snap hook or carabiner. This force may cause the gate (of either a self-locking or a non-locking snap hook) to open, allowing the snap hook or carabiner to disengage from the connecting point.



3.0 INSTALLATION

3.1 PLANNING: Plan your fall protection system before starting your work. Account for all factors that may affect your safety before, during, and after a fall. Consider all requirements and limitations defined in Section 2.

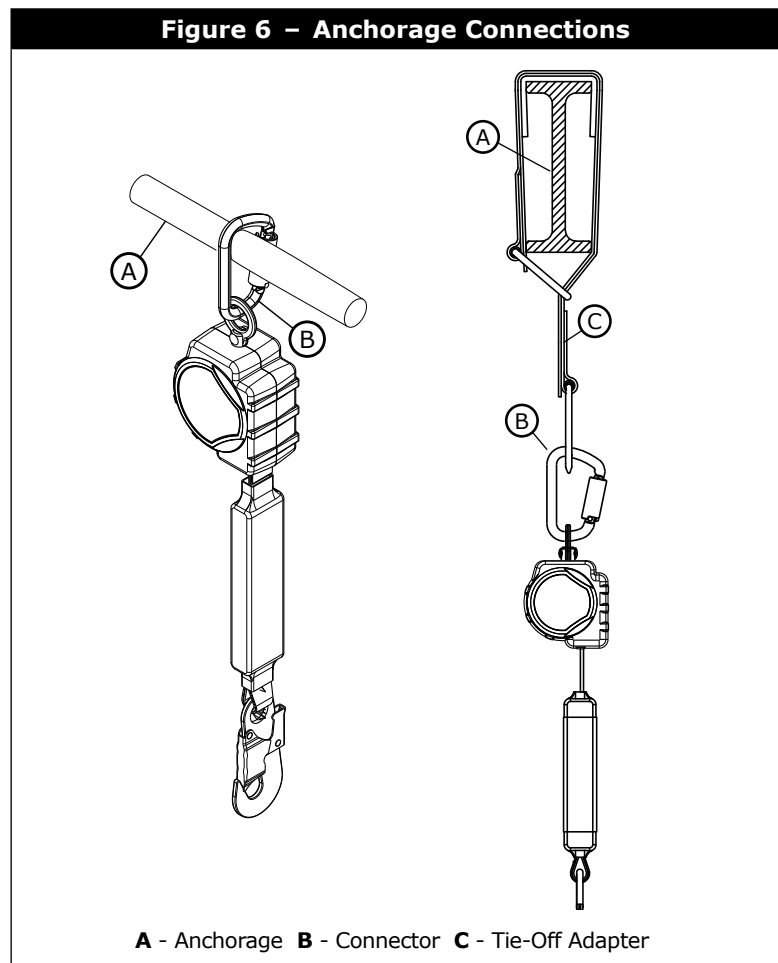
3.2 ANCHORAGE: Figure 6 illustrates typical SRL anchorage connections. Select an anchorage location with minimal free fall and swing fall hazards (see Section 2). Select a rigid anchorage point capable of sustaining the static loads defined in Section 2.2. **Rebel SRLs must always be anchored at or above the user's Dorsal D-Ring.**

IMPORTANT: It is recommended that this equipment be installed under the supervision of a qualified person.⁴

3.3 HARNESS MOUNTING OPTIONS:

SRL FULL BODY HARNESS MOUNTING:

The Rebel SRL is connected to the harness dorsal D-Ring using a Snap Hook on the lifeline end (See Figure 7). The housing swivel end of the Rebel must be connected to an anchorage point (see Section 2.3) with the Carabiner (See Figure 7).



4.0 USE

WARNING: Do not alter or intentionally misuse this equipment. Consult Capital Safety when using this equipment in combination with components or subsystems other than those described in this manual. Some subsystem and component combinations may interfere with the operation of this equipment. Use caution when using this equipment around moving machinery, electrical hazards, chemical hazards, sharp edges, or overhead materials that may fall onto the lifeline. Do not loop the lifeline around small structural members. Failure to heed this warning may result in equipment malfunction, serious injury, or death.

WARNING: Consult your doctor if there is reason to doubt your fitness to safely absorb the shock from a fall arrest. Age and fitness seriously affect a worker's ability to withstand falls. Pregnant women or minors must not use self retracting lifelines.

4.1 BEFORE EACH USE: Before each use of this fall protection equipment carefully inspect it to assure it is in good working condition. Check for worn or damaged parts. Ensure all fasteners are present and secure. Check that the lifeline is retracting properly by pulling out the line and allowing it to slowly retract. If there is any hesitation in retraction, remove the SRL from service, mark "UNUSABLE", and send to an authorized service center for repair. Inspect the lifeline for cuts, frays, burns, crushing and corrosion. Check locking action by pulling sharply on the line. See Section 5 for inspection details.

4.2 AFTER A FALL: Any equipment which has been subjected to the forces of arresting a fall or exhibits damage consistent with the effect of fall arrest forces as described in Section 5, must be removed from service immediately, marked "UNUSABLE", and sent to an authorized service center for repair.

4.3 BODY SUPPORT: A full body harness must be worn when using Rebel SRLs. For general fall protection use, connect to the back (dorsal) D-ring. For situations such as ladder climbing, it may be useful to connect to the front of the harness above the worker's center of gravity. This is acceptable provided potential free fall is less than 2 ft. (61 cm) and footing can be easily regained.

IMPORTANT: Do not use a body belt for free fall applications. See OSHA 1926.502 for guidelines.

4 – Qualified Person: A person with a recognized degree or professional certificate and with extensive knowledge, training, and experience in the fall protection and rescue field who is capable of designing, analyzing, evaluating, and specifying fall protections and rescue systems to the extent required by OSHA and other applicable standards.

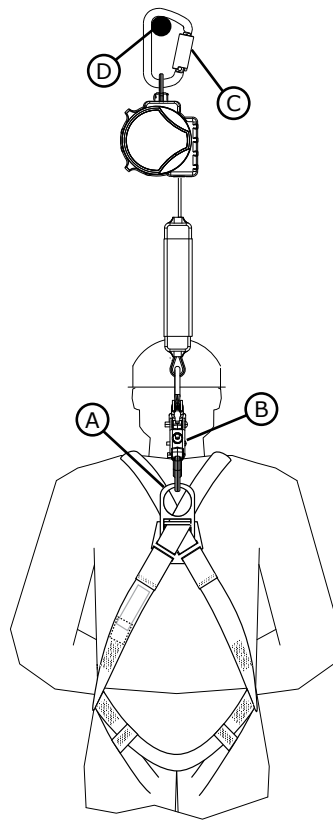
4.4 MAKING CONNECTIONS: Figure 7 illustrates harness and anchorage connections for Rebel SRL Fall Arrest Systems. When using a hook to make a connection, ensure roll-out cannot occur (see Figure 4). Do not use hooks or connectors that will not completely close over the attachment object. Do not use non-locking snap hooks. The anchorage must meet the anchorage strength requirements stated in section 2.3. Follow the manufacturer’s instructions supplied with each system component.

4.5 OPERATION: Prior to use, inspect the SRL as described in section 5.0. Figure 7 shows system connections for typical Rebel SRL applications. Connect the Rebel SRL carabiner to a suitable anchorage. Connect the Hook or Carabiner on the lifeline end to the Dorsal D-Ring on the Full Body Harness. Ensure connections are compatible in size, shape, and strength. Ensure hooks are fully closed and locked. Once attached, the worker is free to move about within the recommended working area at normal speeds. If a fall occurs the SRL will lock and arrest the fall. Upon rescue, remove the SRL from use. When working with an SRL, always allow the lifeline to recoil back into the device under control.

WARNING: Do not tie or knot the lifeline. Avoid lifeline contact with sharp or abrasive surfaces. Inspect the lifeline frequently for cuts, fraying, burns, or signs of chemical damage. Dirt, contaminants, and water can lower dielectric properties of the lifeline. Use caution near power lines.

4.6 HORIZONTAL SYSTEMS: In applications where the Rebel SRL is used in conjunction with a horizontal system (i.e. Horizontal Lifeline, Horizontal I-Beams Trolley), the horizontal systems must be designed and installed under the supervision of a qualified engineer. SRL and horizontal system components must be compatible. Consult the horizontal system equipment manufacturer’s instructions for details.

Figure 7 – Rebel SRL System Connections



A - Dorsal D-Ring B - Snap Hook C - Carabiner D - Anchorage Point

5.0 INSPECTION

5.1 INSPECTION FREQUENCY: The Rebel SRL must be inspected at the intervals defined in “Section 2.5 - Inspection Frequency”. Inspection procedures are described in the “Inspection Checklist” (Table 2).

5.2 UNSAFE OR DEFECTIVE CONDITIONS: If inspection reveals an unsafe or defective condition, remove the SRL from service, mark “UNUSABLE” and send to an authorized service center for repair.

5.3 PRODUCT LIFE: The functional life of Rebel SRLs is determined by work conditions and maintenance. As long as the SRL passes inspection criteria, it may remain in service.

6.0 MAINTENANCE, SERVICING, AND STORAGE

6.1 CLEANING: Cleaning procedures for the Rebel SRL are as follows:

- Periodically clean the exterior of the SRL using water and a mild soap solution. Position the SRL so excess water can drain out. Clean labels as required.
- Clean the Web Lifeline with water and mild soap solution. Rinse and thoroughly air dry. Do not force dry with heat. The lifeline should be dry before allowing it to retract into the housing. An excessive buildup of dirt, paint, etc. may prevent the lifeline from fully retracting back into the housing causing a potential free fall hazard.

IMPORTANT: If the lifeline contacts acids or other caustic chemicals, remove the SRL from service and wash with water and a mild soap solution. Inspect the SRL per Table 2 before returning to service.

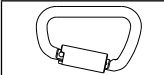



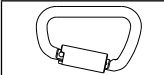



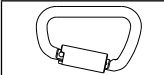



6.2 SERVICE: Rebel SRLs listed within this instruction are not repairable. If the SRL has been subjected to fall force or inspection reveals an unsafe or defective condition, remove the SRL from service, mark "UNUSABLE" and send to an authorized service center for repair.

6.3 STORAGE AND TRANSPORT: Store and transport the SRL in a cool, dry, clean environment out of direct sunlight. Avoid areas where chemical vapors may exist. Thoroughly inspect the SRL after any period of extended storage.

7.0 SPECIFICATIONS

7.1 PERFORMANCE: Your Rebel SRL has been tested and certified to the performance requirements of the standard(s) identified on the cover of this instruction manual. See "Section 2.0 - Limitations & Requirements" for performance specifications.

7.2 MATERIALS: Material specifications for the Rebel SRL are as follows:

Housing:	Nylon, UV Resistant	Motor Spring:	Stainless Steel															
Drum:	Nylon, Type 6/6, Glass Filled	Swivel:	Zinc Plated Steel															
Fasteners:	Zinc Plated Steel Screws; Stainless Steel Rivets	Lifeline:	Polyester Web															
Locking Pawls:	Stainless Steel	Energy Absorber	Cover: PVC Tubing Web: Polyester															
Main Shaft:	Stainless Steel																	
End Connectors: (See Figure 1)	<table border="1" style="width: 100%; border-collapse: collapse;"> <thead> <tr> <th style="width: 30%;"></th> <th style="width: 30%; text-align: center;">Gate Opening</th> <th style="width: 30%; text-align: center;">Gate Strength</th> </tr> </thead> <tbody> <tr> <td style="text-align: center;"></td> <td style="text-align: center;">Steel Carabiner</td> <td style="text-align: center;">11/16 in (17.5 mm)</td> </tr> <tr> <td style="text-align: center;"></td> <td style="text-align: center;">Steel Snap Hook</td> <td style="text-align: center;">3/4 in (19 mm)</td> </tr> <tr> <td style="text-align: center;"></td> <td style="text-align: center;">Steel Swiveling Snap Hook</td> <td style="text-align: center;">3/4 in (19 mm)</td> </tr> <tr> <td style="text-align: center;"></td> <td style="text-align: center;">Steel Rebar Hook</td> <td style="text-align: center;">2 1/4 in (57 mm)</td> </tr> </tbody> </table>				Gate Opening	Gate Strength		Steel Carabiner	11/16 in (17.5 mm)		Steel Snap Hook	3/4 in (19 mm)		Steel Swiveling Snap Hook	3/4 in (19 mm)		Steel Rebar Hook	2 1/4 in (57 mm)
		Gate Opening	Gate Strength															
		Steel Carabiner	11/16 in (17.5 mm)															
		Steel Snap Hook	3/4 in (19 mm)															
		Steel Swiveling Snap Hook	3/4 in (19 mm)															
	Steel Rebar Hook	2 1/4 in (57 mm)																
		3,600 lb (16 kN)																
		3,600 lb (16 kN)																
		3,600 lb (16 kN)																
		3,600 lb (16 kN)																

7.3 LABELING: Figure 11 illustrates Rebel SRL labeling. All labels on the SRL must be present and fully legible.

Table 2 – Inspection Checklist

Component:	Inspection:	Pass	Fail
SRL (Figure 8)	Inspect for loose fasteners and bent or damaged parts.	<input type="checkbox"/>	<input type="checkbox"/>
	Inspect the Housing (A) for distortion, cracks, or other damage.	<input type="checkbox"/>	<input type="checkbox"/>
	Inspect the Swivel (B) and Swivel Eye (C) and Carabiner (D) for distortion, cracks, or other damage. The Swivel should be attached securely to the SRL, but should pivot freely. The Swivel Eye or Integral Connector should rotate freely in the Swivel.	<input type="checkbox"/>	<input type="checkbox"/>
	The Web Lifeline (E) should pull out and retract fully without hesitation or creating a slack line condition.	<input type="checkbox"/>	<input type="checkbox"/>
	Ensure the SRL locks up when the Lifeline is jerked sharply. Lockup should be positive with no slipping.	<input type="checkbox"/>	<input type="checkbox"/>
	All labels must be present and fully legible (see Figure 11).	<input type="checkbox"/>	<input type="checkbox"/>
	Inspect the entire SRL for signs of corrosion.	<input type="checkbox"/>	<input type="checkbox"/>
Web Lifeline (Figure 9)	Inspect the web lifeline for concentrated wear, frayed strands, broken yarn, burns, cuts, and abrasions. The lifeline must be free of knots throughout its length. Inspect for excessive soiling, paint build-up, and rust staining. Inspect for chemical or heat damage indicated by brown, discolored, or brittle areas. Inspect for ultraviolet damage indicated by discoloration and the presence of splinters and splivers on the lifeline surface.	<input type="checkbox"/>	<input type="checkbox"/>
Energy Absorber (Figure 10)	Inspect the Energy Absorber to determine if it has been activated. There should be no evidence of elongation and the cover should be secure and free of tears or other damage.	<input type="checkbox"/>	<input type="checkbox"/>
End Connectors (Figure 1)	Figure 1 identifies the End Connectors that should be included on your Rebel SRL model. Inspect Snap Hooks, Carabiner, Rebar Hooks, etc. for signs of damage, corrosion, and proper working condition. Where present: Swivels should rotate freely, and Carabiner and Hook Gates should open, close, lock, and unlock properly.	<input type="checkbox"/>	<input type="checkbox"/>

Figure 8 – SRL Inspection

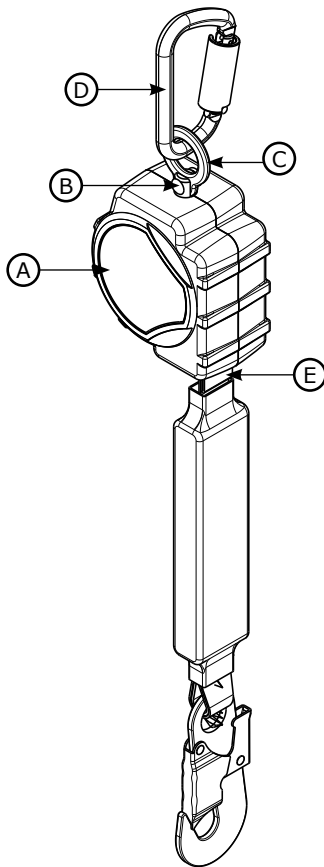


Figure 9 – Web Lifeline

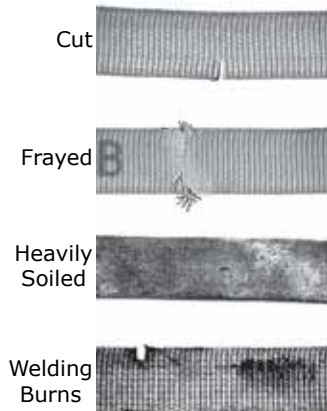


Figure 10 – Energy Absorber

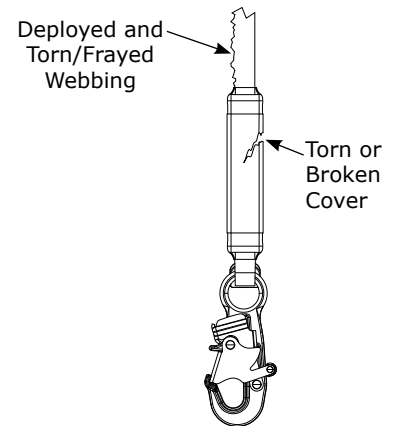
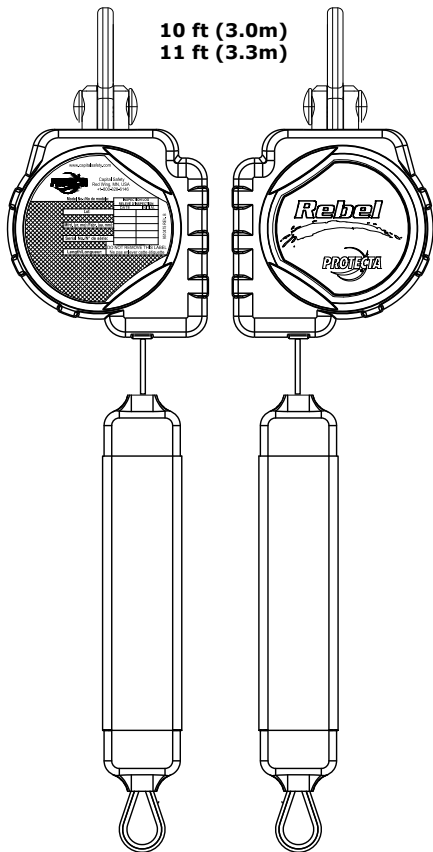
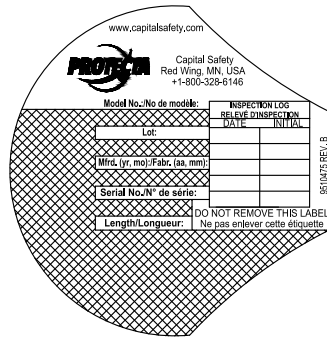
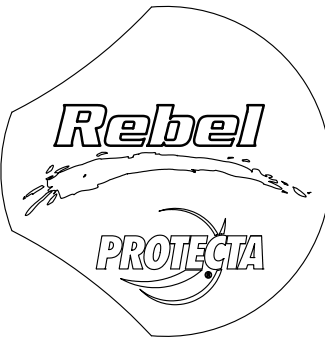


Figure 11 – Labeling



10 ft (3.0m)
11 ft (3.3m)



INSPECTION: Before each use, and at least monthly, inspect in accordance with the User Manual including locking function (pull sharply to test), retraction, lifeline condition, function and condition of connector, housing and fasteners, legibility of labels, and any evidence of defects, damage or missing parts. Inspect for ruptured or torn webbing extending from lead indicator cover. Ruptured or torn webbing is an indicator that an impact has occurred and the unit must be removed from service. Inspection by a competent person required at least annually. See User Manual. Do not use if inspection reveals an unsafe condition. Not user repairable.
 Avant chaque utilisation et au moins une fois par mois, procédez à l'inspection du matériel conformément au manuel de l'utilisateur, ce qui inclut la fonction de verrouillage (tirer fermement pour la tester), le mécanisme de rétraction, l'état de la corde d'assurance, le fonctionnement et l'état du connecteur, du boîtier et des dispositifs de fixation et la lisibilité des étiquettes. Assurez-vous en outre qu'il n'y ait aucun défaut, dommage ou aucune pièce manquante. Vérifiez s'il y a une rupture ou déchirement de la sangle qui dépasse du couvercle de l'indicateur de charge. Une rupture ou un déchirement de la sangle indique qu'un impact s'est produit et qu'on doit mettre le dispositif hors de service. Une inspection par une personne compétente doit être réalisée au moins une fois par an. Reportez-vous au manuel de l'utilisateur. Si lors d'une inspection il est remarqué que l'équipement peut représenter un danger, ne l'utilisez pas. N'est pas réparable par l'utilisateur.

USE/UTILISATION: Anchorage strength requirement 22 kN (5000 lb). Anchor unit as directly above work area as possible to reduce swing fall hazard. Do not work above anchorage level. Full body harness required for use with this device. Capacity is single user only. Lifeline shall not contact sharp edges or abrasive surfaces. For use by trained persons only. This unit is suitable for use with horizontal lifelines. See user manual for additional information including suitability for horizontal use. Contact Capital Safety with any questions about the proper use of this product.
 L'ancrage doit avoir une résistance de 22kN (5000 lb). L'ancrage doit être situé directement possible au-dessus de la zone de travail pour réduire le risque de chute par balancement. Ne pas travailler au-dessus du niveau de l'ancrage. On doit porter un harnais de sécurité avec ce produit. Capacité un seul utilisateur. La corde d'assurance ne doit pas entrer en contact avec des bords coupants ou des surfaces abrasives. Doit être utilisé seulement par des personnes formées. Cette unité est conçue pour être utilisée avec des lignes de vie horizontales. Pour en savoir plus, y compris sur l'efficacité d'une utilisation horizontale, référez-vous au manuel d'utilisateur. Pour de plus amples renseignements au sujet de l'utilisation de ce produit, veuillez communiquer avec Capital Safety.



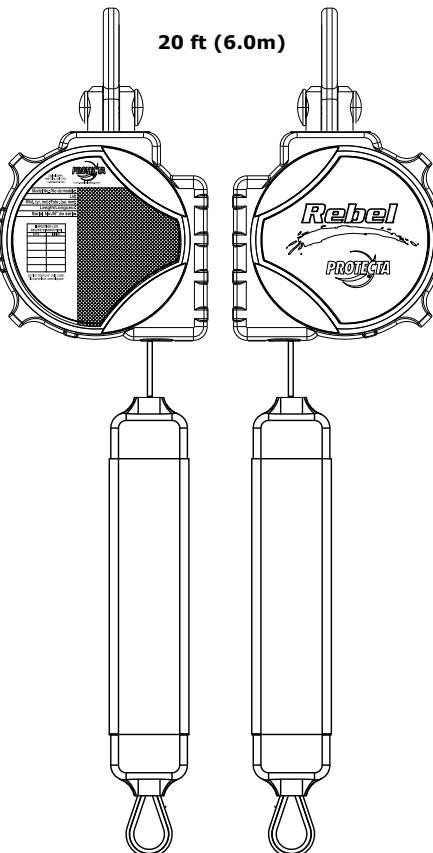
SPECIFICATIONS:
 Lifeline Material: Polyester web
 950" (24mm) x .055" (1.4mm)
 Capacity: 75-310lb (34-140 kg)
 Maximum arresting force: 1,350lb (6kN)
 (single user only)
 Average arresting force: 900lb (4kN)
 Maximum arresting distance: 42 in. (1.1m)

CARACTÉRISTIQUES:
 Matériau de la corde d'assurance:
 sangle en polyester 0.950 po (24 mm)
 x 0.055 po (1.4 mm)
 Capacité: 75 à 310 lb (34 à 140 kg)
 Force d'arrêt max.: 1,350 lb (6kN)
 (un seul utilisateur)
 Force d'arrêt moy.: 900 lb (4kN)
 Distance d'arrêt max.: 42 po (1.1m)

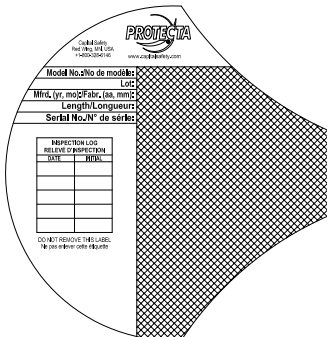
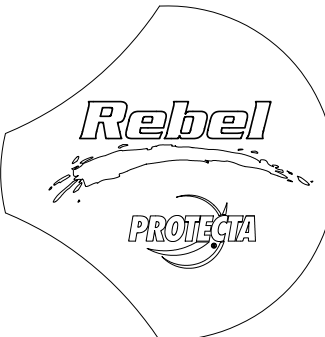
WARNING/AVERTISSEMENT: Read instructions before use. Manufacturer's instructions supplied with this product must be followed for proper use. Failure to follow instructions may result in serious injury or death. This device shall be removed from service when the impact indicator is deployed. Anchor above user's Dorsal D-Ring.
 Lisez les instructions avant utilisation. Pour bien utiliser ce produit, on doit observer les instructions du fabricant fournies avec le produit. Négliger d'observer les instructions peut occasionner des blessures graves, voire mortelles. On doit mettre ce dispositif hors de service lorsque l'indicateur de charge est déployé. Le dispositif à rappel automatique doit être ancré au-dessus de l'anneau en D dorsal du harnais de l'utilisateur.

DO NOT REMOVE THIS LABEL/NE PAS ENLEVER CETTE ÉTIQUETTE

9511226 Rev. A



20 ft (6.0m)



INSPECTION: Before each use, and at least monthly, inspect in accordance with the User Manual including locking function (pull sharply to test), retraction, lifeline condition, function and condition of connector, housing and fasteners, legibility of labels, and any evidence of defects, damage or missing parts. Inspect for ruptured or torn webbing extending from lead indicator cover. Ruptured or torn webbing is an indicator that an impact has occurred and the unit must be removed from service. Inspection by a competent person required at least annually. See User Manual. Do not use if inspection reveals an unsafe condition. Not user repairable.
 Avant chaque utilisation et au moins une fois par mois, procédez à l'inspection du matériel conformément au manuel de l'utilisateur, ce qui inclut la fonction de verrouillage (tirer fermement pour la tester), le mécanisme de rétraction, l'état de la corde d'assurance, le fonctionnement et l'état du connecteur, du boîtier et des dispositifs de fixation et la lisibilité des étiquettes. Assurez-vous en outre qu'il n'y ait aucun défaut, dommage ou aucune pièce manquante. Vérifiez s'il y a une rupture ou déchirement de la sangle qui dépasse du couvercle de l'indicateur de charge. Une rupture ou un déchirement de la sangle indique qu'un impact s'est produit et qu'on doit mettre le dispositif hors de service. Une inspection par une personne compétente doit être réalisée au moins une fois par an. Reportez-vous au manuel de l'utilisateur. Si lors d'une inspection il est remarqué que l'équipement peut représenter un danger, ne l'utilisez pas. N'est pas réparable par l'utilisateur.

USE/UTILISATION: Anchorage strength requirement 22 kN (5000 lb). Anchor unit as directly above work area as possible to reduce swing fall hazard. Do not work above anchorage level. Full body harness required for use with this device. Capacity is single user only. Lifeline shall not contact sharp edges or abrasive surfaces. For use by trained persons only. This unit is suitable for use with horizontal lifelines. See user manual for additional information including suitability for horizontal use. Contact Capital Safety with any questions about the proper use of this product.
 L'ancrage doit avoir une résistance de 22kN (5000 lb). L'ancrage doit être situé directement possible au-dessus de la zone de travail pour réduire le risque de chute par balancement. Ne pas travailler au-dessus du niveau de l'ancrage. On doit porter un harnais de sécurité avec ce produit. Capacité un seul utilisateur. La corde d'assurance ne doit pas entrer en contact avec des bords coupants ou des surfaces abrasives. Doit être utilisé seulement par des personnes formées. Cette unité est conçue pour être utilisée avec des lignes de vie horizontales. Pour en savoir plus, y compris sur l'efficacité d'une utilisation horizontale, référez-vous au manuel d'utilisateur. Pour de plus amples renseignements au sujet de l'utilisation de ce produit, veuillez communiquer avec Capital Safety.



SPECIFICATIONS:
 Lifeline Material: Polyester web
 950" (24mm) x .055" (1.4mm)
 Capacity: 75-310lb (34-140 kg)
 Maximum arresting force: 1,350lb (6kN)
 (single user only)
 Average arresting force: 900lb (4kN)
 Maximum arresting distance: 42 in. (1.1m)

CARACTÉRISTIQUES:
 Matériau de la corde d'assurance:
 sangle en polyester 0.950 po (24 mm)
 x 0.055 po (1.4 mm)
 Capacité: 75 à 310 lb (34 à 140 kg)
 Force d'arrêt max.: 1,350 lb (6kN)
 (un seul utilisateur)
 Force d'arrêt moy.: 900 lb (4kN)
 Distance d'arrêt max.: 42 po (1.1m)

WARNING/AVERTISSEMENT: Read instructions before use. Manufacturer's instructions supplied with this product must be followed for proper use. Failure to follow instructions may result in serious injury or death. This device shall be removed from service when the impact indicator is deployed. Anchor above user's Dorsal D-Ring.
 Lisez les instructions avant utilisation. Pour bien utiliser ce produit, on doit observer les instructions du fabricant fournies avec le produit. Négliger d'observer les instructions peut occasionner des blessures graves, voire mortelles. On doit mettre ce dispositif hors de service lorsque l'indicateur de charge est déployé. Le dispositif à rappel automatique doit être ancré au-dessus de l'anneau en D dorsal du harnais de l'utilisateur.

DO NOT REMOVE THIS LABEL/NE PAS ENLEVER CETTE ÉTIQUETTE

9511226 Rev. A

LIMITED LIFETIME WARRANTY

Warranty to End User: D B Industries, Inc., dba CAPITAL SAFETY USA ("CAPITAL SAFETY") warrants to the original end user ("End User") that its products are free from defects in materials and workmanship under normal use and service. This warranty extends for the lifetime of the product from the date the product is purchased by the End User, in new and unused condition, from a CAPITAL SAFETY authorized distributor. CAPITAL SAFETY'S entire liability to End User and End User's exclusive remedy under this warranty is limited to the repair or replacement in kind of any defective product within its lifetime (as CAPITAL SAFETY in its sole discretion determines and deems appropriate). No oral or written information or advice given by CAPITAL SAFETY, its distributors, directors, officers, agents or employees shall create any different or additional warranties or in any way increase the scope of this warranty. CAPITAL SAFETY will not accept liability for defects that are the result of product abuse, misuse, alteration or modification, or for defects that are due to a failure to install, maintain, or use the product in accordance with the manufacturer's instructions.

CAPITAL SAFETY'S WARRANTY APPLIES ONLY TO THE END USER. THIS WARRANTY IS THE ONLY WARRANTY APPLICABLE TO OUR PRODUCTS AND IS IN LIEU OF ALL OTHER WARRANTIES AND LIABILITIES, EXPRESSED OR IMPLIED. CAPITAL SAFETY EXPRESSLY EXCLUDES AND DISCLAIMS ANY IMPLIED WARRANTIES OF MERCHANTABILITY OR FITNESS FOR A PARTICULAR PURPOSE, AND SHALL NOT BE LIABLE FOR INCIDENTAL, PUNITIVE OR CONSEQUENTIAL DAMAGES OF ANY NATURE, INCLUDING WITHOUT LIMITATION, LOST PROFITS, REVENUES, OR PRODUCTIVITY, OR FOR BODILY INJURY OR DEATH OR LOSS OR DAMAGE TO PROPERTY, UNDER ANY THEORY OF LIABILITY, INCLUDING WITHOUT LIMITATION, CONTRACT, WARRANTY, STRICT LIABILITY, TORT (INCLUDING NEGLIGENCE) OR OTHER LEGAL OR EQUITABLE THEORY.

GARANTIE LIMITÉE SUR LA DURÉE DE VIE

Garantie offerte à l'utilisateur final : D B Industries, Inc., dba CAPITAL SAFETY USA (« CAPITAL SAFETY ») garantit à l'utilisateur final d'origine (« Utilisateur final ») que les produits sont libres de tout défaut matériel et de fabrication dans des conditions normales d'utilisation et de service. Cette garantie couvre toute la durée de vie du produit, de sa date d'achat à l'état neuf et inutilisé par l'utilisateur auprès d'un distributeur agréé CAPITAL SAFETY. La responsabilité intégrale de Capital Safety et le seul recours du Client dans le cadre de cette garantie se limitent à la réparation ou le remplacement en nature des produits défectueux pendant leur durée de vie (à la seule discrétion de Capital Safety et selon ce qu'elle juge approprié). Aucun renseignement ou avis oral ou écrit fourni par CAPITAL SAFETY, ses détaillants, administrateurs, cadres, distributeurs, mandataires ou employés ne représentera une garantie ou n'augmentera de quelque manière la portée de la présente garantie limitée. CAPITAL SAFETY n'accepte aucune responsabilité pour les défauts causés par un abus, une utilisation abusive, une altération ou une modification, ou pour les défauts causés par le non-respect des instructions du fabricant relatives à l'installation, à l'entretien ou à l'utilisation du produit.

CETTE GARANTIE CAPITAL SAFETY S'APPLIQUE UNIQUEMENT À L'UTILISATEUR FINAL. ELLE EST LA SEULE GARANTIE APPLICABLE À NOS PRODUITS. ELLE EXCLUT TOUTE AUTRE GARANTIE EXPRESSE OU IMPLICITE. CAPITAL SAFETY EXCLUT EXPLICITEMENT ET DÉCLINE TOUTE GARANTIE IMPLICITE DE MISE EN MARCHÉ ET D'ADAPTATION À DES FINS PARTICULIÈRES, ET NE SERA RESPONSABLE POUR AUCUN DOMMAGE-INTÉRÊT DIRECT OU INDIRECT, CORRELATIF OU ACCESSOIRE DE TOUTE NATURE Y COMPRIS ET DE MANIÈRE NON LIMITATIVE, LES PERTES DE PROFITS, LES REVENUS OU LA PRODUCTIVITÉ, LES BLESSURES CORPORELLES, VOIRE LA MORT OU DOMMAGES À LA PROPRIÉTÉ, DANS LE CADRE DE TOUTE THÉORIE DE RESPONSABILITÉ, Y COMPRIS ET DE MANIÈRE NON LIMITATIVE UN CONTRAT, UNE GARANTIE, UNE RESPONSABILITÉ (Y COMPRIS LA NÉGLIGENCE) OU TOUTE AUTRE THÉORIE LÉGALE OU ÉQUITABLE.

GARANTÍA LIMITADA DE POR VIDA

Garantía para el usuario final: D B Industries, Inc., que opera bajo el nombre de CAPITAL SAFETY USA ("CAPITAL SAFETY") garantiza al usuario final original ("Usuario final") que sus productos están libres de defectos de materiales y de mano de obra en condiciones normales de uso y mantenimiento. Esta garantía se extiende durante la vida útil del producto a partir de la fecha en que el Usuario final adquiere el producto, nuevo y sin uso, a un distribuidor autorizado de CAPITAL SAFETY. La entera responsabilidad de CAPITAL SAFETY hacia el Usuario final y el remedio exclusivo para el Usuario final bajo esta garantía están limitados a la reparación o el reemplazo por materiales de todo producto defectuoso dentro de su vida útil (según CAPITAL SAFETY lo determine y considere apropiado a su solo criterio). Ninguna información o asesoramiento, oral o escrito, proporcionado por CAPITAL SAFETY, sus distribuidores, directores, funcionarios, agentes o empleados creará una garantía diferente o adicional ni aumentará de ninguna manera el alcance de esta garantía. CAPITAL SAFETY no aceptará responsabilidad por defectos resultantes del abuso, el uso incorrecto, la alteración o la modificación del producto, ni por defectos resultantes de no respetar las instrucciones del fabricante durante la instalación, el mantenimiento o el uso del producto.

LA GARANTÍA DE CAPITAL SAFETY SE APLICA ÚNICAMENTE AL USUARIO FINAL. ESTA GARANTÍA ES LA ÚNICA GARANTÍA QUE SE APLICA A NUESTROS PRODUCTOS Y REEMPLAZA A TODAS LAS OTRAS GARANTÍAS Y RESPONSABILIDADES, EXPRESAS O IMPLÍCITAS. CAPITAL SAFETY EXPRESAMENTE EXCLUYE Y RENUNCIA A TODAS LAS GARANTÍAS IMPLÍCITAS DE COMERCIABILIDAD O APTITUD PARA UN PROPÓSITO PARTICULAR, Y NO SERÁ RESPONSABLE POR DAÑOS INCIDENTALES, PUNITIVOS O EMERGENTES DE NINGUNA NATURALEZA, INCLUYENDO SIN LIMITACIÓN PÉRDIDAS DE INGRESOS, GANANCIAS O PRODUCTIVIDAD; NI POR LESIONES CORPORALES O MUERTE, O PÉRDIDA DE O DAÑO A LA PROPIEDAD, BAJO CUALQUIER TEORÍA DE RESPONSABILIDAD, INCLUYENDO SIN LIMITACIÓN CONTRATO, GARANTÍA, RESPONSABILIDAD ESTRUCTIVA, AGRAVIO (INCLUIDA NEGLIGENCIA) O CUALQUIER OTRA TEORÍA LEGAL O EQUITATIVA.



Trusted Quality Fall Protection

CSG USA & Latin America

3833 SALA Way
Red Wing, MN 55066-5005
Toll Free: 800.328.6146
Phone: 651.388.8282
Fax: 651.388.5065
solutions@capitalsafety.com

CSG Canada

260 Export Boulevard
Mississauga, ON L5S 1Y9
Phone: 905.795.9333
Toll-Free: 800.387.7484
Fax: 888.387.7484
info.ca@capitalsafety.com

CSG Northern Europe

5a Merse Road
North Moons, Moat
Reditch, Worcestershire, UK
B98 9HL
Phone: + 44 (0)1527 548 000
Fax: + 44 (0)1527 591 000
csgne@capitalsafety.com

**CSG EMEA
(Europe, Middle East, Africa)**

Le Broc Center
Z.I. 1ère Avenue
5600 M B.P. 15
06511 Carros Le Broc Cedex
France
Phone: + 33 4 97 10 00 10
Fax: + 33 4 93 08 79 70
information@capitalsafety.com

CSG Australia & New Zealand

95 Derby Street
Silverwater
Sydney NSW 2128
AUSTRALIA
Phone: +(61) 2 8753 7600
Toll-Free : 1 800 245 002 (AUS)
Toll-Free : 0800 212 505 (NZ)
Fax: +(61) 2 8753 7603
sales@capitalsafety.com.au

CSG Asia

Singapore:
16S, Enterprise Road
Singapore 627666
Phone: +65 - 65587758
Fax: +65 - 65587058
inquiry@capitalsafety.com

Shanghai:

Rm 1406, China Venturetech Plaza
819 Nan Jing Xi Rd,
Shanghai 200041, P R China
Phone: +86 21 62539050
Fax: +86 21 62539060

www.capitalsafety.com

