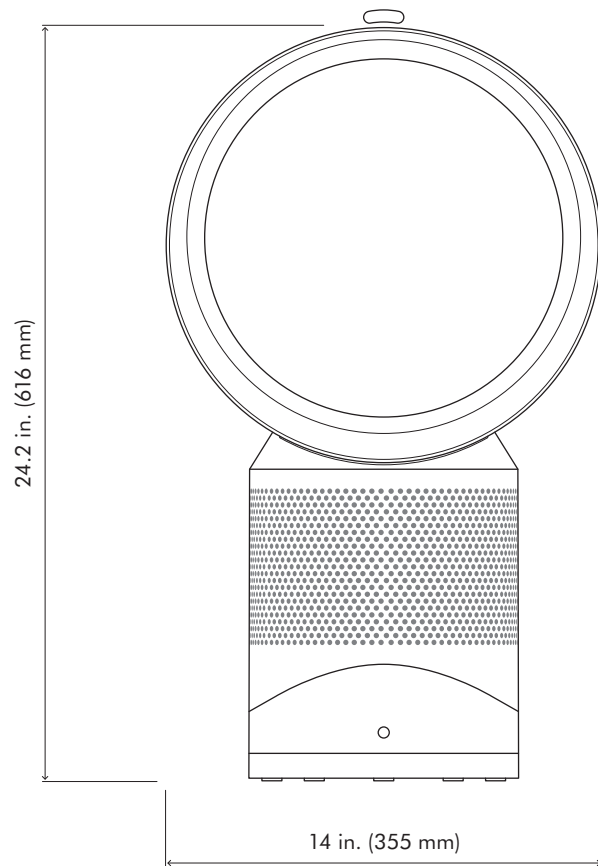


## TECHNICAL SPECIFICATION

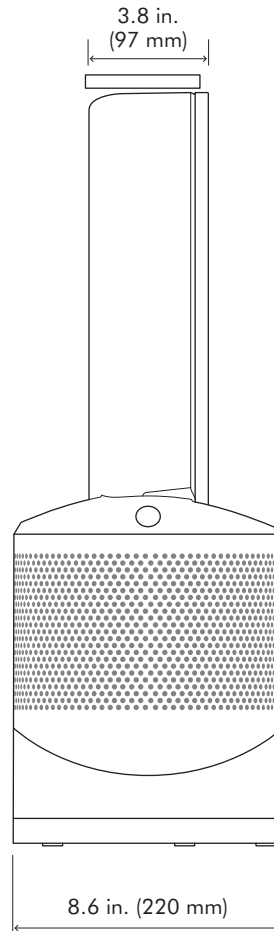


### Desk

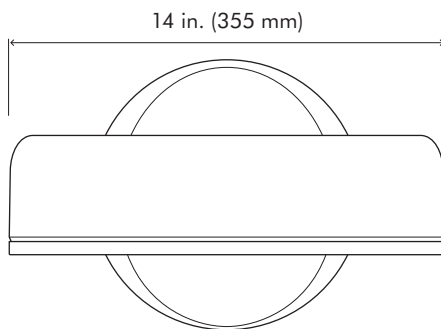
FRONT VIEW



SIDE VIEW



PLAN VIEW



#### Machine dimensions

Height: 24.2 in. (616 mm), Amp width: 14 in. (355 mm),  
Amp depth: 3.8 in. (97 mm), Base diameter: 8.6 in. (220 mm)

## Electrical

Input voltage/frequency: 120V / 50/60Hz

Standby power consumption: <0.5W

Max input power: 40W

Min input power: 5W

## Construction

Polycarbonate

ABS

## Filter

Removes 99.97% of allergens and pollutants as small as 0.3 microns from the air

360° borosilicate glass microfiber HEPA filter

Activated carbon filter

Rubber vacuum seals

Filter life: One year based on 12 hr. use a day; or 6 months based on 24 hr. use a day

Height: 6.2 in. (159 mm)

Diameter: 8.4 in. (214 mm)

Unboxed weight: 0.73 lb. (0.33 kg)

## Operation

For indoor use only

Operation environment:

Engineered to operate between 0-104°F (0-40°C), 0-100% humidity

10 speed settings

70° oscillation

Auto mode:

Automatically monitors air quality and adjusts airflow accordingly

Quiet mode: Purifies and cools you using the quiet setting

Standby mode

Sleep time increments: 15 min., 30 min., 45 min., 1-9 hrs.

Hidden LED display

CADR rate: 60 cfm<sup>1</sup>

Sound level at min flow rate: Quieter than 45 dB(A)

Sound level at max flow rate: 60 dB(A)

Remote control battery: CR2032L coin cell

Remote control functions: On/Off, airflow, oscillation, sleep timer, auto mode, night mode

## Dyson Link app

Automatically monitors, reacts and purifies

Live air quality metrics straight to your smart phone<sup>2</sup>

Requires iOS 8.0 or later or Android 4.0 or later

## Logistics

Single unit order code:

White/Silver: 308033-01

Iron/Blue: N/A

Unit barcode:

White/Silver: 885609011141

Iron/Blue: N/A

Net weight: 6 lb. 9 oz. (2.99 kg)

Packaged weight: 10 lb. 14 oz. (4.95 kg)

Packaged dimensions:

(H) 11.4 in. (290 mm) × (W) 15 in. (380 mm) × (D) 16.5 in. (419 mm)

Cable length: 5.9 ft. (1.8 m)

## Standard warranty

2 year warranty – parts and labor



## Product range

White/Silver

Iron/Blue

Remote



Certified **asthma & allergy friendly**<sup>™</sup> by Allergy Standards Limited. ASTHMA & ALLERGY FRIENDLY and ASTHMA & ALLERGY FRIENDLY LOGO are certification marks and trademarks of ALLERGY STANDARDS LIMITED. The ASTHMA AND ALLERGY FOUNDATION OF AMERICA is a Registered Trademark of AAFA.

<sup>1</sup> Clean Air Delivery Rate for smoke tested to AHAM AC1.

<sup>2</sup> Standard data and messaging rates may apply. Requires Wifi and app-enabled device.