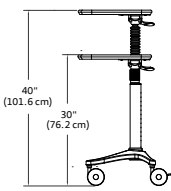


# ERGOTRON®

## Zido EMR Cart Package

<b>Part Number</b>	BZD01CG/CG4
<b>Product Includes</b>	Wood lipped worksurface with bracket, 17" (43.18 cm) wide handle, 2.5" (6.35 cm) diameter adjustable-height column with holes in 1" (2.54 cm) increments for accessory installation, rubber column cover, heavy metal base, and 4 casters (4" [10.16 cm] size, 2 locking)
<b>Materials and Finishes</b>	The steel column and cast metal base receive a baked-on powder coated finish that's durable and easy to clean. Worksurface is medium density fiberboard wrapped in Comfort Edge thermoplastic laminate that resists cracking and chipping and stands up to a wide range of chemicals
<b>Column Height Range</b>	
<b>Optimal Load*</b>	16-30 lbs. (7.26 - 13.61 kg)
<b>Weight Capacity*</b>	46 lbs. (20.9 kg) on the worksurface; 146 lbs. (66.4 kg) overall
<b>Base Dims</b>	17"W x 22.25"D (43.18 x 56.52 cm)
<b>Worksurface Dims</b>	0.75"H x 22"W x 17"D (1.9 x 55.88 x 43.18 cm); Lip measures 0.25" H (0.64 cm)
<b>Mobility</b>	Easy to move with 4" (10.16 cm) twin-wheel rubber casters (two locking). Heavy cast metal base provides stability
<b>Product Weight</b>	44 lbs. (20 kg)
<b>Shipping</b>	Shipping Weight: 56 lbs (25.5 kg); Ships in 2 boxes
<b>Warranty</b>	Limited lifetime against manufacturing defects on materials and workmanship. 5 years on gas cylinder



**Height-Adjustable EMR Cart** — Carry your laptop or tablet on a compact, easy-to-steer cart that takes everything you need right to your patient.

- ① **Handle** — The 17" (43.18 cm) wide handle makes the cart easy to steer
- ② **Adjustable Height** — Set the worksurface height 30" - 40" (76.2 - 101.6 cm) so it's comfortable for patients and clinicians
- ③ **Cast Metal Base** — The stability you need when steering through busy hallways
- ④ **Contoured Top** — A 0.25" (0.64 cm)-high lip runs all the way around the 0.75" (1.9 cm)-thick cap worksurface to keep your laptop or tablets in place
- ⑤ **Compact Footprint** — At just 22" (55.88 cm) wide, 22" (55.88 cm) deep, the cart fits into tight spaces
- ⑥ **Large Casters** — The 4" (10.16 cm) diameter twin-wheel casters (2 locking) travel easily over thresholds and directly to the point of care



The 30-year legacy of Anthro Corporation lives on in its world-class factory, flexible award-winning designs, and market-leading personal customer service. When you see Anthro-DNA, it signifies quality manufacturing and technology leadership.

© 2016 Ergotron, Inc. rev. 09/20/2016 Literature made in the U.S.A.  
**Content is subject to change without notification**

**Americas Sales and Corporate Headquarters**

St. Paul, MN USA  
 (800) 888-8458  
 +1-651-681-7600  
 www.ergotron.com  
 sales@ergotron.com

**EMEA Sales**

Amersfoort, The Netherlands  
 +31 33 45 45 600  
 www.ergotron.com  
 info.eu@ergotron.com

**APAC Sales**

Tokyo, Japan  
 www.ergotron.com  
 apaccustomerservice@ergotron.com

**Worldwide OEM Sales**

www.ergotron.com  
 info.oem@ergotron.com

