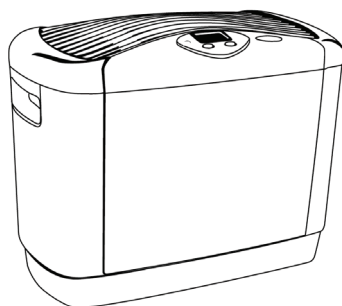


AIRCARE®

MINI-CONSOLE EVAPORATIVE HUMIDIFIER MODEL 5D6700 USE AND CARE GUIDE

- ▶ Adjustable Humidistat
- ▶ Four Speed Fan
- ▶ Easy Pour-in Reservoir



Français9
Español17

TO ORDER PARTS AND ACCESSORIES CALL 1.800.547.3888

COMFORT IS IN THE AIR

IMPORTANT SAFEGUARDS

General Safety Instructions

READ BEFORE USING YOUR HUMIDIFIER

DANGER: means if the safety information is not followed someone will be seriously injured or killed.

WARNING: means if the safety information is not followed someone could be seriously injured or killed.

CAUTION: means if the safety information is not followed someone may be injured.

1. To reduce the risk of fire or shock hazard, this humidifier has a polarized plug (one blade is wider than the other). Plug humidifier directly into a 120V, A.C. electrical outlet. Do not use extension cords. If the plug does not fully fit into the outlet, reverse plug. If it still does not fit, contact a qualified electrician to install the proper outlet. Do not change the plug in any way.
2. Keep the electric cord out of traffic areas. To reduce the risk of fire hazard, never put the electric cord under rugs, near heat registers, radiators, stoves or heaters.
3. Always unplug the unit before moving, cleaning or removing the fan assembly section from the humidifier, or whenever it is not in service.
4. Keep the humidifier clean. To reduce the risk of injury, fire or damage to humidifier, use only cleaners specifically recommended for humidifiers. Never use flammable, combustible or poisonous materials to clean your humidifier
5. Do not put foreign objects inside the humidifier.
6. Do not allow unit to be used as a toy. Close attention is necessary when used by or near children.
7. To reduce the risk of electrical hazard or damage to humidifier, do not tilt, jolt or tip humidifier while unit is running.
8. To reduce the risk of accidental electrical shock, do not touch the cord or controls with wet hands.
9. To reduce the risk of fire, do not use near an open flame such as a candle or other flame source.

WARNING: For your own safety, do not use humidifier if any parts are damaged or missing.

WARNING: To reduce risk of fire, electric shock, or injury always unplug before servicing or cleaning.

WARNING: To reduce the risk of fire or shock hazard, do not pour or spill liquid into control or motor area. If controls get wet, let them dry completely and have unit checked by authorized service personnel before plugging in.

INTRODUCTION

Your new humidifier adds invisible moisture to your home by moving dry inlet air through a saturated wick. As air moves through the wick, the water evaporates into the air, leaving behind any white dust, minerals, or dissolved and suspended solids. Because the water is evaporated, there is just clean and invisible moist air.

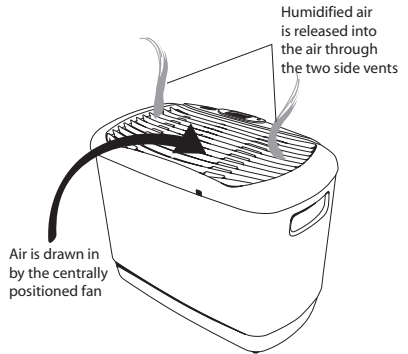
As the evaporative wick traps accumulated minerals from the water, its ability to absorb and evaporate water decreases. We recommend changing the wick at the beginning of every season. In hard water areas, more frequent replacement may be necessary to maintain your humidifier's efficiency.

Use only AIRCARE® or Essick Air® brand replacement wicks and chemicals. To order parts, wicks and chemicals call 1-800-547-3888. This humidifier uses two wicks # 1040. Only the AIRCARE® or Essick Air® evaporative wick guarantees the certified output of your humidifier. Use of other brands of wicks voids the certification of output and may void your warranty.

HOW YOUR HUMIDIFIER WORKS

Your new evaporative humidifier is designed to satisfy home humidity requirements through the principle of evaporation of water in the air.

Once the wick becomes saturated, air is drawn in, passes through the wick and moisture is absorbed into the air. All evaporation occurs in the humidifier so any residue remains in the wick.



This natural process of evaporation creates no white dust like some other humidifiers

Description	5D6 700
*Output per 24 hrs	5 gallons
Water Capacity	3 Gallons
Sq. ft. coverage	1700 (Tight Constr.) 1100 (Avg. Constr.)
Fan Speeds	4
Replacement Wicks (2 required)	1040
Air Purifying Filter (Optional)	1050
Adjustable Humidistat	Yes
Controls	Digital
ETL Listed	Yes
Volts	120
Hertz	60
Watts	40

* Based on an area with average insulation and an 8' ceiling height.

NOTES ON LOCATION:

In order to get the most effective use from your humidifier, it is important to position the unit where the most humidity is needed or where the moist air will be circulated throughout the house such as near a cold air return. If the unit is positioned close to a window, condensation may form on the window pane. If this occurs the unit should be repositioned in another location.

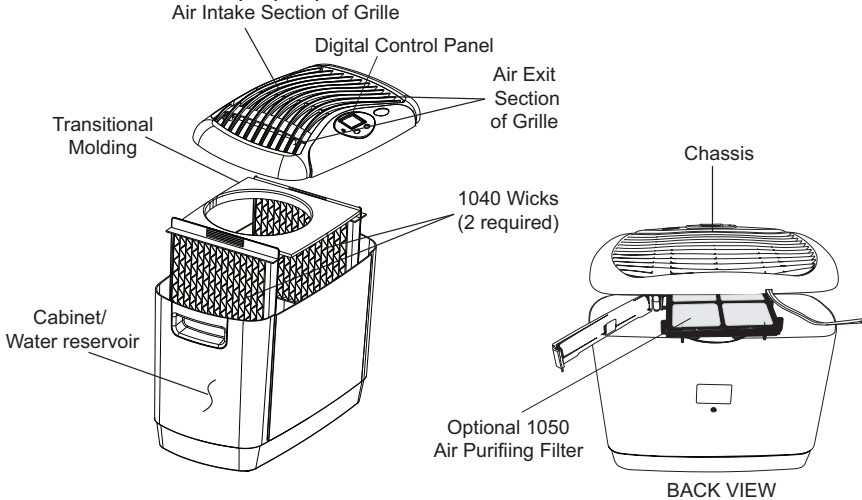
Do NOT position the unit directly in front of a hot air duct or radiator. Do NOT place on soft carpet.

Due to release of cool, moist air from the humidifier, it is best to direct air away from

thermostat and hot air registers. Position humidifier next to an inside wall on a level place at least 4 inches away from the wall or curtains.

ASSEMBLY

- 1) Unpack humidifier from carton.
- 2) Remove all packaging material, wicks, etc. from cabinet. REMOVE THE PLASTIC WRAP FROM AROUND EACH WICK.
- 3) Place the wicks in position by sliding them into the mounting ribs molded into the bottom of the cabinet.
- 4) Insert the plastic platform with the circular cutout (transitional molding) on top of the mounted wicks. Note that the transitional molding is notched and marked "FRONT" to indicate proper placement.



Replacement Parts Available For Purchase	
Description	Part Number
Chassis (Top portion of unit)	1B72700
Cabinet	1B71784
Transitional Molding	1B71786
Humidifier Wicks (2 Required)	1040
Air Purifying Filter (Optional)	1050

WATER FILL

CAUTION: Before filling, ensure unit is turned OFF and unplugged.

- 1) Before replacing the chassis, fill the cabinet with unsoftened water. **DO NOT POUR WATER OVER THE ELECTRICAL CHASSIS.** Fill the cabinet only through the opening between the wick and the cabinet sidewall. Note the MAX. notation on the side wall of the cabinet. **DO NOT OVERFILL.** Cabinet capacity is 3.0 gallons.

NOTE: We recommend using AIRCARE® or Essick Air® Bacteriostat Treatment when you refill the water reservoir to eliminate bacterial growth. Add bacteriostat according to the instructions on the bottle.

Under no circumstances should you use Water Treatment products intended for Rotobelt or Ultrasonic humidifiers.

ABOUT HUMIDITY

Where you set your desired humidity levels depends on your personal comfort level, the outside temperature and the inside temperature.

NOTE: Recent CDC tests show that the chances of flu transmission are greatly reduced at levels of 43% humidity.

You may wish to purchase a hygrometer* to measure the humidity level in your home. The following is a chart of recommended humidity settings.

IMPORTANT: Water damage may result if condensation starts to form on windows or walls. Humidity SET point should be lowered until condensation no longer forms. We recommend room humidity levels do not exceed 50%.

When Outdoor Temperature is:		Recommended Indoor Relative Humidity (RH) is
°F	°C	
-20	-30°	15 - 20%
-10°	-24°	20 - 25%
2°	-18°	25 - 30%
10°	-12°	30 - 35%
20°	-6°	35 - 40%
30°	-1°	40 - 45%

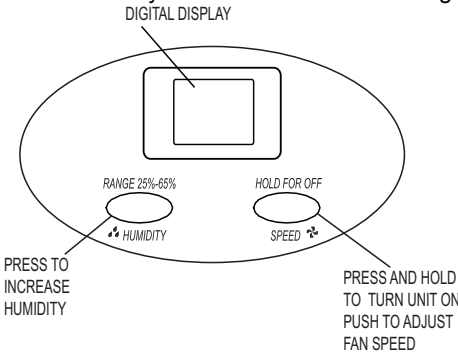
*Model 1990 digital hygrometer is available for purchase by calling 1-800-547-3888.

NOTE: External hygrometer readings and humidistat readings may differ. Humidity levels can vary significantly even in one room.

OPERATION

Plug cord into wall receptacle. Your humidifier is now ready for use. The humidifier should be placed at least FOUR inches away from any walls and away from heat registers. Unrestricted airflow into the unit will result in the best efficiency and performance.

NOTE: This unit has an automatic humidistat located on the cord that senses the humidity level around the immediate area of the humidifier. It turns the humidifier on when the relative humidity in your home is below the humidistat setting and will turn the humidifier off when the relative humidity reaches the humidistat setting.



CONTROL PANEL TO TURN ON/OFF

For initial operation, plug the unit in (the display will show - -). Press the speed button and hold for 5 seconds to turn the unit on or off.

FAN SPEED

The 5D6700 has a four speed digital control panel.

- 1) Press the SPEED button to adjust the fan speeds.
- 2) The speeds: High (F4) - Low (F1) display on the digital panel

HUMIDITY CONTROL

- 3) The hygrometer on the cord reads the current room humidity and displays the percentage on LCD panel.
- 4) To set the desired humidity, press the HUMIDITY button. Each successive push increases the humidity in 5% increments. The range is 25% to 65%.
- 5) At 65% the humidifier will run constantly with or without water.

NOTE: If excessive condensation occurs, reduce fan to a lower speed setting

CAUTION: Disconnect power before filling, cleaning or servicing unit. Keep grille dry at all times.

CHECK FILTER

The ability of any humidifier to efficiently supply humidity output relies heavily on the condition of the filter. As the filter loads with impurities it gradually loses its wicking capability. When this happens, moisture output is reduced and the humidifier has to work longer to satisfy the selected setting

- 1) This humidifier has a check filter reminder timed to appear after 720 hours of operation. When the Check Filter (CF) message is displayed, disconnect the power cord and check the condition of the filter. If a build-up of deposits or severe discoloration is evident replace the filter to restore maximum efficiency.
- 2) The CF function is reset after plugging the unit back in.



Check Filter
Function Display

CONTROL LOCK FEATURE



Control Lock
Display

To avoid unwanted tampering with the humidifier settings the controls can be locked.

ACTIVATION PROCEDURE

After the humidifier functions have been set up, hold the Speed and Humidity buttons down for 5 seconds. The display will show “CL” for 2 seconds.

Release the buttons and the control will resume the display of the room humidity. The humidifier will continue to function with the locked in settings. If buttons are operated while “CL” is active, the “CL” is displayed and settings are unaffected.

DEACTIVATION PROCEDURE

To deactivate the “CL” function simply press and hold both buttons for 5 seconds. “CL” will flash at the rate of 1 second on and 1 second off for a period of 2 seconds and then resume the display of room humidity.

REPLACEMENT OF WICK

CAUTION: Before changing wick, ensure unit is turned OFF and unplugged.

NOTE: This unit uses 2 model 1040 wicks. Replace the wick at the beginning of each season, and more often in areas with hard water.

- 1) Lift off chassis and set aside.
- 2) Lift off transition molding tray, then remove and discard used wicks.
- 3) Install new wicks according to instructions listed in ASSEMBLY section.

OPTIONAL AIRCARE® FILTER

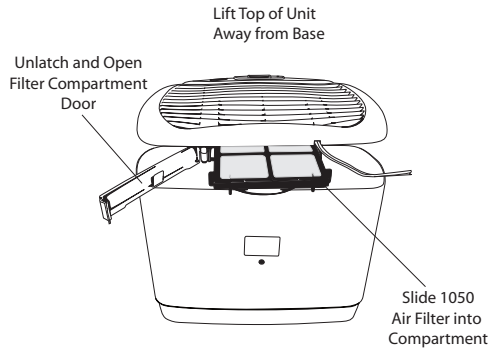
This humidifier is built to accommodate the two-stage 1050 optional air purifying filter. The first stage is a high-efficiency, electrostatically-charged filter media which traps dust, pollen and airborne pollutants. The second stage is an activated carbon media which absorbs odors from cooking, pets or tobacco smoke.

We recommend replacing the AIRCARE® filter at least once a year, more often if necessary. When the white filter media is coated with a layer of dust and dirt, it is time to replace the filter.

NOTE: The certified water output of your humidifier will be reduced when using the AIRCARE® filter. The AIRCARE® filters are optional and are not required for normal operation of the humidifier. necessary. When the white filter media is coated with a layer of dust and dirt, it is time to replace the filter.

INSTALLATION

- 1) To install the optional air filter, remove the chassis (top portion of the unit).
- 2) From the rear, locate the air filter compartment and unlatch the door.
- 3) Place the 1050 AirCare® air filter into the compartment and close the door.
- 4) Replace the chassis onto the cabinet.



CARE AND MAINTENANCE

Cleaning your humidifier regularly helps eliminate odors and bacterial and fungal growth. Ordinary household bleach is a good disinfectant and can be used to wipe out the humidifier base and bottle/reservoir after cleaning. We recommend cleaning your humidifier at least once every two weeks to maintain optimum environmental conditions for your home. **We also recommend using AIRCARE® or Essick Air® Bacteriostat Treatment each time you refill your humidifier to eliminate bacterial growth.** Add bacteriostat according to the instructions on the bottle. Please call 1-800-547-3888 to order Bacteriostat Treatment, part number 1970.

- 1) Turn off unit and unplug from outlet.
- 2) Lift off chassis and transitional molding from cabinet and set aside.
- 3) Lift wicks from cabinet, allow water to drain from wicks into cabinet and then set aside.
- 4) Empty cabinet into sink. Remove any remaining water from cabinet with a sponge.

REMOVING SCALE

- 5) Fill cabinet with water and then add 8oz. (1cup) of white vinegar. Let solution stay 20 minutes, then empty.
- 6) Clean all interior surfaces of cabinet with a soft brush. Dampen soft cloth with white vinegar and wipe out cabinet to remove scale.
- 7) Rinse cabinet thoroughly with fresh water to remove scale and cleaning solution.

DISINFECTING UNIT

- 8) Fill cabinet with water and add 3 teaspoons of chlorine bleach. Let solution stand for 20 minutes.
- 9) Empty and rinse thoroughly.
- 10) Refill cabinet with water and re-assemble per **WATER FILL** instructions.

SUMMER STORAGE

- 1) Clean unit as outlined in Care & Maintenance section.
- 2) Discard used wicks and any water in the cabinet and allow unit to dry thoroughly before storage. **Do not** store with water inside unit.
- 3) Do not store unit in an attic or other high-temperature area, as damage will occur.
- 4) Install new wick at beginning of season.

HUMIDIFIER TWO YEAR LIMITED WARRANTY POLICY

SALES RECEIPT REQUIRED AS PROOF OF PURCHASE FOR ALL WARRANTY CLAIMS.

This warranty is extended only to the original purchaser of this humidifier when the unit is installed and used under normal conditions against defects in workmanship and materials as follows:

- Two (2) years from date of sale on the unit, and
- Thirty (30) days on wicks and filters, which are considered disposable components and should be replaced periodically.

The manufacturer will replace the defective part/product, at its discretion, with return freight paid by the manufacturer. It is agreed that such replacement is the exclusive remedy available from the manufacturer and that TO THE MAXIMUM EXTENT PERMITTED BY LAW, THE MANUFACTURER IS NOT RESPONSIBLE FOR DAMAGES OF ANY KIND, INCLUDING INCIDENTAL AND CONSEQUENTIAL DAMAGE OR LOSS OF PROFITS OR REVENUES.

Some states do not allow limitations on how long an implied warranty lasts, so the above limitations may not apply to you.

Exclusions from this warranty

We are not responsible for replacement of wicks and filters.

We are not responsible for any incidental or consequential damage from any malfunction, accident, misuse, alterations, unauthorized repairs, abuse, including failure to perform reasonable maintenance, normal wear and tear, nor where the connected voltage is more than 5% above the nameplate voltage.

Alterations include the substitution of name brand components including, but not limited to wicks and bacteria treatment.

We are not responsible for any damage from the use of water softeners or treatments, chemicals or descaling materials.

We are not responsible for the cost of service calls to diagnose the cause of trouble, or labor charge to repair and/or replace parts.

No employee, agent, dealer or other person is authorized to give any warranties or conditions on behalf of the manufacturer. The customer shall be responsible for all labor costs incurred.

This warranty will be null & void if purchaser attempts to repair or replace any parts which are mechanical or electrical.

Some states do not allow the exclusion or limitation of incidental or consequential damages, so the above limitations or exclusions may not apply to you.

How to obtain service under this warranty

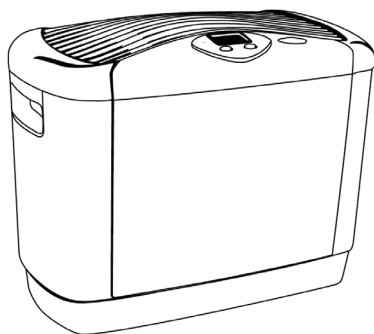
Within the limitations of this warranty, purchaser with inoperative units should contact customer service at **800-547-3888** for instructions on how to obtain service within warranty as listed above.

This warranty gives the customer specific legal rights, and you may also have other rights which vary from province to province, or state to state.

Register your product at www.essickair.com or www.AIRCAREproducts.com.

AIRCARE®

MINI-CONSOLE HUMIDIFICATEUR À EVAPORATION MODÈLE 5D6700 MANUEL D'UTILISATION ET D'ENTRETIEN



- ▶ Humidostat réglable
- ▶ Ventilateur à quatre vitesses
- ▶ Réservoir facile à remplir



Anglais1
Español17

POUR COMMANDER DES PIÈCES ET DES ACCESSOIRES
APPELEZ LE 1.800.547.3888

LE CONFORT EST DANS L'AIR

MISES EN GARDE IMPORTANTES

Consignes générales de sécurité

À LIRE AVANT D'UTILISER VOTRE HUMIDIFICATEUR

DANGER : signifie que si les consignes de sécurité ne sont pas respectées, quelqu'un sera gravement blessé ou tué.

AVERTISSEMENT : signifie que si les consignes de sécurité ne sont pas respectées, quelqu'un risque d'être gravement blessé ou tué.

PRUDENCE : signifie que si les consignes de sécurité ne sont pas respectées, quelqu'un sera peut-être blessé.

1. Pour réduire le risque d'incendie ou de choc électrique, cet humidificateur possède une fiche polarisée (une broche est plus large que l'autre). Branchez l'humidificateur directement dans une prise électrique de 120 V, AC. N'utilisez pas de rallonges. Si la fiche n'entre pas complètement dans la prise, inversez la fiche. Si elle ne rentre toujours pas, contactez un électricien qualifié pour installer une prise adéquate. Ne modifiez la fiche en aucun cas.
2. Ne laissez pas traîner le cordon électrique dans des passages très fréquentés. Pour réduire le risque d'incendie, ne placez jamais le cordon électrique sous un tapis, ou à proximité d'une bouche de chaleur, d'un radiateur, d'un four ou d'un appareil de chauffage.
3. Débranchez toujours l'appareil avant de le déplacer, le nettoyer ou de retirer l'ensemble de ventilation, ou chaque fois qu'il n'est pas en service.
4. Veillez à ce que l'humidificateur reste propre. Pour réduire le risque de blessure, d'incendie ou de dommages à l'humidificateur, utilisez uniquement des produits de nettoyage spécialement recommandés pour les humidificateurs. N'utilisez jamais de matériaux inflammables, combustibles ou toxiques pour nettoyer votre humidificateur.
5. Ne placez pas de corps étrangers à l'intérieur de l'humidificateur.
6. Ne laissez pas des enfants se servir de cet appareil comme d'un jouet. Il faut faire très attention quand cet appareil est utilisé par des enfants ou à proximité d'enfants.
7. Pour réduire le risque de danger électrique ou d'endommagement de l'humidificateur, n'inclinez pas, ne heurtez pas et ne faites pas basculer l'humidificateur quand il est en marche.
8. Pour réduire le risque de choc électrique accidentel, ne touchez pas le cordon ou les commandes avec les mains mouillées.
9. Pour réduire le risque d'incendie, n'utilisez pas l'humidificateur près d'une flamme nue comme une bougie ou une autre source de flamme.

AVERTISSEMENT : Pour votre propre sécurité, n'utilisez pas l'humidificateur si des pièces sont endommagées ou manquantes.

AVERTISSEMENT : Pour réduire les risques d'incendie, de choc électrique ou de blessure, débranchez toujours l'appareil avant d'effectuer une réparation ou un nettoyage.

AVERTISSEMENT : Pour réduire le risque d'incendie ou de choc électrique, ne versez pas et ne renversez pas liquide dans la zone des commandes ou du moteur. Si les commandes sont mouillées, laissez-les sécher complètement et faites vérifier l'unité par du personnel d'entretien autorisé. avant de brancher l'appareil.

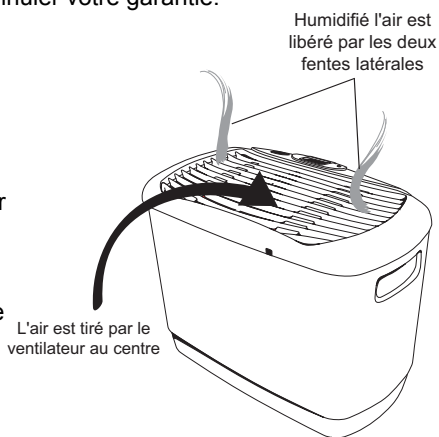
INTRODUCTION

Votre nouvel humidificateur ajoute de l'humidité dans la maison en faisant passer de l'air sec à travers un filtre à mèche saturée. Au fur et à mesure que l'air passe au travers du filtre à mèche, l'eau s'évapore dans l'air en laissant derrière elle toutes poussières blanches, minéraux et solides dissous ou en suspension. Puisque l'eau est évaporée, il n'y a que de l'air humidifié, propre et invisible.

Au fur et à mesure que le filtre à mèche d'évaporation emprisonne et accumule les minéraux contenus dans l'eau, sa capacité d'absorption et d'évaporation d'eau diminue. Nous recommandons de changer le filtre à mèche au début de chaque saison. Dans les régions où l'eau est dure, un remplacement plus fréquent peut être nécessaire afin de maintenir l'efficacité de votre humidificateur. N'utilisez que des produits chimiques et filtres à mèche AIRCARE® ou Essick Air® en remplacement. Pour commander des pièces, filtres à mèche et produits chimiques, appelez le 1-800-547-3888. Le humidificateur 5D6700 utilise des filtres à mèche n° 1040. Seuls les filtres à mèche d'évaporation de marque AIRCARE® ou Essick Air® garantissent le meilleur rendement de votre humidificateur. L'utilisation de filtres à mèche d'autres marques nuit aux performances de l'appareil et peut annuler votre garantie.

FONCTIONNEMENT DE L'HUMIDIFICATEUR

Votre nouvel humidificateur a été conçu pour satisfaire les exigences d'humidité domestique au moyen du principe d'évaporation d'eau dans l'air. Une fois que le filtre est saturé, l'air est aspiré, passe à travers le filtre et l'humidité est absorbée dans l'air. Toute l'évaporation a lieu dans l'humidificateur ainsi aucun résidu ne reste dans le mèche. Ce procédé naturel d'évaporation élimine virtuellement la poussière blanche



Description	5D6 700
*Débit par 24h	19L
Capacité d'eau	11,4 L
*Portée en m ²	158 Construction étanche 102,2 Construction moyenne
Vitesses du ventilateur	4
Mèche de rechange (2 requises)	1040
Filtre à air (optionnel)	1050
Humidostat réglable	Oui
Commandes	Électroniques
ETL mentionnés	Oui
Volts	120
Hertz	60
Watts	40

*Basée sur un espace à isolation moyenne et une hauteur de plafond de 2,50m.

REMARQUES SUR L'EMPLACEMENT :

Afin de tirer le meilleur parti de votre humidificateur, il est important de placer l'appareil à un endroit où le plus d'humidité est nécessaire ou là où l'air humide circulera dans toute la maison comme à proximité d'un retour d'air froid.

Si l'appareil est placé près d'une fenêtre, de la condensation peut se former sur la vitre. Si cela se produit, il faut déplacer l'appareil.

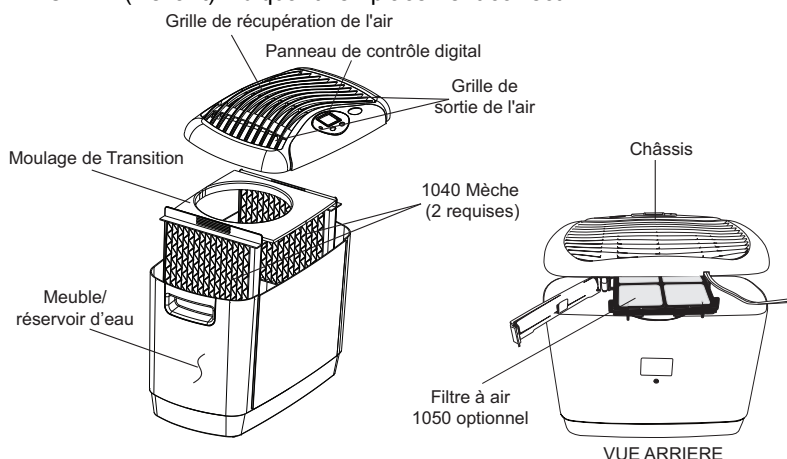
Ne placez PAS l'appareil directement devant une bouche d'air chaud ou un radiateur. NE le placez PAS sur de la moquette ou un tapis.

Du fait que de l'air humide et frais est libéré de l'humidificateur, il est préférable de ne pas diriger l'air vers un thermostat ou des bouches d'air chaud.

Placez l'humidificateur à côté d'un mur intérieur sur une surface plane à au moins 4 pouces (10 cm) du mur ou des rideaux.

ASSEMBLAGE

- 1) Déballez l'humidificateur du carton.
- 2) Enlever tous les emballages et pièces du meuble. **ENLEVER LE PLASTIQUE ENTOURANT CHAQUE LAMELLE.**
- 3) Installer les lamelles en les insérant dans les fentes au bas de l'unité.
- 4) Mettre la plateforme plastique avec le découpage circulaire au dessus des lamelles. Notez que le découpage circulaire est cranté et a une inscription « FRONT » (Devant) indiquant l'emplacement correct.



Pièces détachées disponibles à l'achat	
Description	N° de pièce
Châssis	1B72700
Meuble/ réservoir d'eau	1B71784
Plinthe de transition	1B71786
Mèche de rechange (2 requises)	1040
Filtre à air (optionnel)	1050

Vous pouvez commander les pièces détachées et accessoires au 1-800-547-3888. Veuillez avoir le numéro de série de l'humidificateur lors de votre appel..

REPLISSAGE D'EAU

MISE EN GARDE : Avant le remplissage, assurez-vous que l'appareil est éteint et débranché.

NOTE: Unité continuera de tourner avec ou sans eau.

- 1) Avant de mettre le châssis, remplir le réservoir d'eau du robinet. **NE PAS METTRE D'EAU SUR LE CHASSIS ELECTRIQUE.** Remplir le réservoir via l'espace entre la mèche et le côté du réservoir. Regarder le niveau maximum MAX. sur le côté du réservoir. **NE PAS DEPASSER CE NIVEAU.** La capacité du réservoir est de 11,4 L.

REMARQUE : Nous recommandons l'utilisation d'AIRCARE® ou du traitement bactériostatique d'Essick Air® à chaque remplissage du réservoir d'eau afin d'éliminer la croissance bactérienne. Ajoutez le produit de traitement selon les instructions figurant sur le récipient.

Vous ne devez en aucun cas utiliser des produits de traitement de l'eau conçus pour des humidificateurs d'air ultrasoniques ou de type « Roto Belt ».

À PROPOS DE L'HUMIDITÉ

Le réglage du niveau d'humidité souhaité dépend de votre niveau de confort personnel, la température extérieure et la température intérieure.

REMARQUE: Les tests CDC récentes montrent que les risques de transmission de la grippe sont considérablement réduits à des niveaux de 43% d'humidité.

*Vous pouvez acheter un hygromètre pour mesurer le niveau d'humidité chez vous. Voici un tableau des taux d'humidité recommandés.

IMPORTANT: Des dégâts causés par l'eau peuvent se produire si de la condensation commence à se former sur les fenêtres ou les murs. Le point de réglage (SET) de l'humidité doit être réduit jusqu'à ce que la condensation cesse de se former. Nous recommandons que les niveaux d'humidité ambiante ne dépassent pas 50 %.

Lorsque la température extérieure est de :		L'humidité relative (HR) recommandée à l'intérieur d'une habitation est de :
°F	°C	
-20	-30°	15 - 20%
-10°	-24°	20 - 25%
2°	-18°	25 - 30%
10°	-12°	30 - 35%
20°	-6°	35 - 40%
30°	-1°	40 - 45%

* Modèle 1990 hygromètre numérique est disponible à l'achat par téléphone au 1-800-547-3888.

REMARQUE: Lectures de externes et des lectures hygrosat peuvent différer. Les niveaux d'humidité peuvent varier considérablement, même dans une pièce.

FONCTIONNEMENT

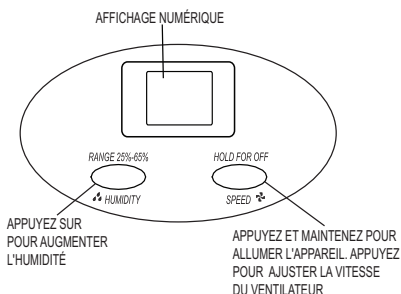
Branchez le cordon dans la prise murale. Votre humidificateur est maintenant prêt à l'emploi. L'humidificateur doit être placé à au moins QUATRE pouces (10 cm) des murs et des bouches de chaleur. Une entrée d'air non obstruée assure une meilleure efficacité et un meilleur rendement de l'appareil.

REMARQUE : Cet appareil dispose d'un humidostat automatique situé sur le panneau de commande qui détecte le niveau d'humidité autour de l'humidificateur. Il enclenche l'humidificateur lorsque l'humidité relative à l'intérieur de votre habitation est inférieure au point d'humidité programmé et l'éteint lorsque l'humidité relative atteint le point de réglage.

PANNEAU DE COMMANDE POUR ACATIVER/DÉSCATIVER

Pour la première utilisation, brancher l'unité (l'écran affichera __). Pour arrêter l'unité, appuyer sur VITESSE pendant cinq secondes.

Les vitesses de ventilation vont de rapide à lente. L'unité s'initialisera et mesurera le taux d'humidité



LA VITESSE DU VENTILATEUR

- 1) Appuyer sur le bouton VITESSE pour régler le ventilateur.
- 2) Les vitesses d'affichage sur le panneau numérique (Maximale F4 – Minimale (F1).

CONTRÔLE DE L'HUMIDITÉ

- 3) L'hygromètre sur le cordon lit la pièce actuelle humidité et affiche le pourcentage sur l'écran LCD.
- 4) Pour définir le taux d'humidité désiré, appuyez sur le bouton de HUMIDITY. Le réglage augmentera de 5 % chaque fois que vous appuierez sur la touche de réglage du taux d'humidité. À partir d'une valeur de réglage de 65 %, l'appareil fonctionnera sans arrêt.
- 5) Un niveau d'humidité programmé (SET) de 65 % fait fonctionner l'humidificateur en continu, avec ou sans eau.

NOTE: Si la condensation est excessive, réduire la vitesse de ventilation.

MISE EN GARDE : Débranchez l'alimentation avant de remplir, nettoyer ou entretenir l'appareil. Gardez toujours la grille au sec en tout temps.

INDICATEUR D'INSPECTION DU FILTRE

La capacité d'un humidificateur, quel qu'il soit, à produire efficacement de l'humidité dépend dans une large mesure de l'état du filtre. Au fur et à mesure que le filtre se charge d'impuretés, il perd progressivement sa capillarité. Lorsque cela se produit, la production d'humidité est réduite et l'humidificateur doit fonctionner plus longtemps pour atteindre l'humidité programmée.

- 1) Cet humidificateur est équipé d'un mécanisme qui vous rappellera de vérifier le filtre après 720 heures de fonctionnement. Lorsque le message Check Filter « CF » (inspecter le filtre) s'affiche, débranchez le cordon d'alimentation et vérifiez l'état du filtre. Si vous remarquez la présence de dépôts ou une décoloration, remplacez le filtre pour restaurer l'efficacité maximale.
- 2) Le message CF disparaît lorsque l'humidificateur est rebranché.



Affichage de la fonction Check Filter (inspecter le filtre)

VERROUILLAGE DES COMMANDES



Affichage du verrouillage des commandes

Pour éviter la manipulation indésirable des paramètres de l'humidificateur, les commandes peuvent être verrouillées.

PROCÉDURE D'ACTIVATION

Après avoir réglé les fonctions de l'humidificateur, maintenez les deux boutons pour 5 secondes. L'écran affichera « CL » pendant 2 secondes ; relâchez les boutons et l'humidité ambiante s'affichera à nouveau.

L'humidificateur continuera à fonctionner avec les commandes verrouillées. Si les touches sont utilisées alors que « CL » est activé, « CL » s'affiche et les réglages ne sont pas affectés.

PROCÉDURE DE DÉSACTIVATION

Pour désactiver la fonction « CL », appuyez sur les boutons et maintenez-le enfoncé pendant 5 secondes. « CL » clignotera pendant 2 secondes, puis l'affichage reviendra à l'humidité ambiante.

REPLACEMENT DES MÈCHES

REMARQUE : Cet appareil utilise le modèle des filtres à mèches 1040. Remplacez les filtres à mèches au début de chaque saison, et plus souvent dans les régions où l'eau est dure.

- 1) Soulevez le châssis et mettez de côté.
- 2) Soulevez le bac de moulage de transition, puis retirez et jetez mèches usagées.
- 3) Installez les nouvelles mèches selon les instructions figurant dans la section ASSEMBLAGE.

FILTRES AIRCARE® 1050 OPTIONNEL

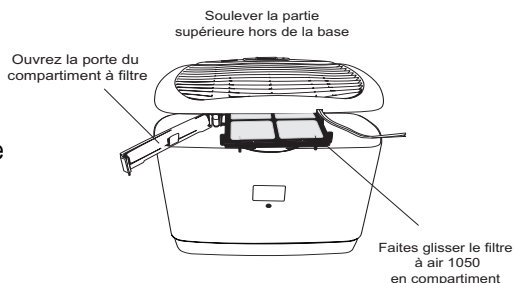
Cet humidificateur est conçu pour les deux accompdate stade 1050 facultatif purificateur d'air à filter. La première étape du filtre à air est un médium filtrant électrostatiquement chargé à haut rendement qui capte les poussières, le pollen et les particules dans l'air. La

deuxième étape du filtre AIRCARE® est un médium au charbon actif qui absorbe les odeurs provenant de la cuisson, des animaux domestiques et de la fumée du tabac. Nous recommandons de remplacer le filtre AIRCARE® au moins une fois par an, plus souvent si nécessaire. Lorsque le médium blanc est couvert d'une pellicule de poussières ou de saleté, il est temps de remplacer le filtre.

La sortie d'eau certifiée de l'humidificateur est réduite lors de l'utilisation du filtre AIRCARE®. Les filtres AIRCARE® sont optionnels et ne sont pas requis pour le fonctionnement normal de l'humidificateur.

INSTALLATION

- 1) Pour installer le filtre à air, retirez le châssis.
- 2) De l'arrière, localisez le filtre à air du compartiment et ouvrez la porte.
- 3) Placez le filtre 1050 AIRCARE® dans le compartiment et fermez la porte.
- 4) Remplacer le châssis sur le cabinet.



Le nettoyage régulier de votre humidificateur aide à éliminer les odeurs et la croissance

bactérienne et fongique. L'eau de Javel est un bon désinfectant et peut être utilisée pour essuyer la base de l'humidificateur et le réservoir après le nettoyage. Nous vous recommandons de nettoyer votre humidificateur au moins une fois toutes les deux semaines pour maintenir des conditions environnementales optimales chez vous. **Nous recommandons l'utilisation d'AIRCARE® ou du traitement bactériostatique d'Essick Air à chaque remplissage de l'humidificateur afin d'éliminer la croissance de bactéries.** Ajoutez le produit de traitement selon les instructions figurant sur le récipient. Veuillez appeler le 1-800-547-3888 pour commander le traitement bactériostatique, sous le numéro de produit 1970.

INSTRUCTIONS POUR NETTOYER

- 1) Éteindre l'unité et la débrancher.
- 2) Enlever le châssis et la plinthe de transition.
- 3) Enlever les lamelles et laisser l'eau s'égoutter dans le réservoir.
- 4) Vider le contenu du réservoir dans l'évier. Sécher avec une éponge.

ENLEVER LE TARTRE

- 5) Remplir le réservoir et ajouter 8 onces (1 tasse) de vinaigre blanc. Laisser tremper pendant 20 minutes, puis vider.
- 6) Brosser délicatement les parois du réservoir. Mettre du vinaigre blanc sur un chiffon et enlever le tartre restant.
- 7) Rincer soigneusement le réservoir à l'eau, Pour enlever toute trace de tartre.

DÉSINFECTER L'UNITÉ

- 8) Remplir le réservoir d'eau et ajouter 3 cuillères de javel pure. Laisser agir pendant 20 minutes.
- 9) Vider et rincer soigneusement.
- 10) Cabinet (de remplissage) avec de l'eau et remonter par les instructions d'installation et de remplissage

ENTREPOSAGE L'ÉTÉ

- 1) Nettoyez l'appareil tel qu'indiqué dans le chapitre portant sur les « Nettoyage et l'entretien »
- 2) Jetez les filtres à mèche usés et toute eau dans le récipient. Laissez le boîtier sécher complètement avant de le ranger. **N'entrez pas** l'appareil avec de l'eau dans le récipient
- 3) N'entrez pas l'appareil dans un grenier ou dans un endroit où la température est élevée.
- 4) Installez un nouveau filtre à mèche avant le début de la saison.

GARANTIE LIMITÉE À DEUX ANS

FACTURE REQUISE COMME PREUVE D'ACHAT POUR TOUTE RÉCLAMATION VISANT À FAIRE VALOIR LA GARANTIE.

Cette garantie est accordée uniquement à l'acheteur original du présent humidificateur lorsque l'appareil est installé et utilisé dans des conditions normales, contre les défauts de matériaux et de fabrication comme suit:

- Deux (2) ans à compter de la date de vente de l'appareil, et
- Trente 30 jours sur les mèches et filtres, qui sont considérés comme des éléments jetables et doivent être remplacés périodiquement.

Le fabricant remplacera la pièce/le produit défectueux, à sa discrétion, en prenant à sa charge les frais de transport pour le renvoi du produit au client. Il est convenu qu'un tel remplacement est le seul recours offert par le fabricant et que, **DANS LA MESURE MAXIMALE AUTORISÉE PAR LA LOI, LE FABRICANT NE SAURAIT ÊTRE TENU RESPONSABLE DE DOMMAGES QUELCONQUES, Y COMPRIS DES DOMMAGES ACCESSOIRES OU SECONDAIRES, OU DES PERTES DE BÉNÉFICES OU DE REVENUS.**

Certains États ne permettent pas de limitations concernant la durée des garanties tacites, aussi les limitations ci-dessus peuvent-elles ne pas vous concerner.

Exclusions de cette garantie

Nous n'assumons pas la responsabilité du remplacement des mèches et des filtres.

Nous n'assumons pas la responsabilité des garnitures qui sont considérées comme jetables et doivent être remplacées périodiquement.

Les modifications comprennent la substitution d'éléments de marque, y compris, mais sans s'y limiter, les mèches d'humidificateur et le traitement des bactéries.

Nous n'assumons pas la responsabilité de tout dommage résultant de l'utilisation d'adoucisseurs d'eau ou de traitements, de produits chimiques ou de matériaux de détartrage.

Nous n'assumons pas la responsabilité du coût des appels au service en vue de diagnostiquer la cause du problème, ni les frais de main d'oeuvre pour la réparation ou de remplacement des pièces.

Aucun employé, agent, revendeur ni autre personne n'est autorisé à accorder des garanties ou des conditions au nom du fabricant. Le client devra assumer tous les coûts de main-d'oeuvre engagés.

Cette garantie sera considérée nulle et non avenue si l'acheteur tente de réparer ou remplacer des pièces mécaniques ou électriques.

Certains états n'autorisent pas l'exclusion ou la limitation de responsabilité pour les dommages fortuits ou consécutifs, aussi les limitations ou exclusions ci-dessus peuvent-elles ne pas vous concerner.

Comment obtenir le service découlant de cette garantie

Dans les limites de cette garantie, l'acheteur en possession d'un appareil défectueux doit prendre contact avec le service client au **800-547-3888** pour obtenir des instructions sur la façon d'obtenir des pièces de rechange dans le cadre de la garantie comme indiqué ci-dessus.

Cette garantie confère des droits spécifiques au client et ce dernier peut également jouir d'autres droits en fonction de la province ou de l'État dans lequel il réside .

Veillez enregistrer votre produit sur www.essickair.com ou www.AIRCAREproducts.com

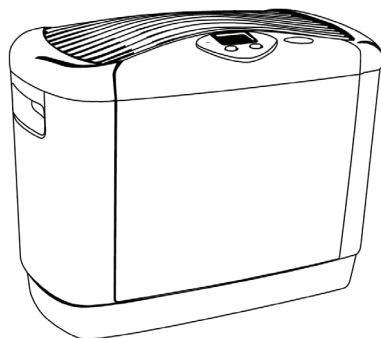
AIRCARE®

MINI-CONSOLA HUMIDIFICADOR POR EVAPORACIÓN

MODELO

5D6700

GUÍA DE USO Y
CUIDADO



- ▶ Humidistato ajustable
- ▶ 4 velocidades del ventilador
- ▶ Depósito de fácil llenado



Inglés 1
Francés 9

PARA ADQUIRIR PIEZAS Y ACCESORIOS LLAME AL 1.800.547.3888

LA COMODIDAD ESTÁ EN EL AIRE

MEDIDAS DE SEGURIDAD IMPORTANTES

Instrucciones generales de seguridad

LÉALAS ANTES DE USAR SU HUMIDIFICADOR

PELIGRO: significa que si no se respeta la información de seguridad, alguien puede resultar seriamente herido o muerto.

PRECAUCIÓN: significa que si no se respeta la información de seguridad, alguien podría resultar seriamente herido o muerto.

ADVERTENCIA: significa que si no se respeta la información de seguridad, alguien podría resultar herido.

1. Para reducir el riesgo de incendio o descarga eléctrica, este humidificador posee un enchufe polarizado (una espiga es más ancha que la otra). Enchufe el humidificador directamente a un tomacorriente eléctrico de 120 V de corriente alterna (CA). No utilice cables prolongadores. Si el enchufe no encaja completamente en el tomacorriente, inviértalo. Si aún así no encaja, contacte a un electricista calificado para que instale el tomacorriente adecuado. No cambie el enchufe de ninguna manera.
2. Mantenga el cable fuera de las áreas de tránsito. Para reducir el riesgo de peligro de incendio, nunca coloque el cable debajo de alfombras, cerca de fuentes de calor, radiadores, cocinas o calentadores.
3. Desenchufe siempre la unidad antes de mover, limpiar o retirar la parte del módulo del ventilador del humidificador, o cuando no esté funcionando.
4. Mantenga el humidificador limpio. Para reducir el riesgo de lesiones, incendio o daños al humidificador, utilice solamente limpiadores recomendados específicamente para humidificadores. Nunca utilice materiales inflamables, combustibles o tóxicos para limpiar su humidificador.
5. No coloque objetos extraños dentro del humidificador.
6. No permita que la unidad se utilice como un juguete. Se debe prestar especial atención cuando es utilizado por o cerca de niños.
7. Para reducir el riesgo de peligro eléctrico o daño al humidificador, no lo mueva, sacuda ni incline mientras la unidad esté en funcionamiento.
8. Para reducir el riesgo de descargas eléctricas accidentales, no toque el cable ni los controles con las manos húmedas.
9. Para reducir el riesgo de incendio, no lo utilice cerca de una fuente de fuego abierta, como una vela u otra fuente de fuego.

PRECAUCIÓN: Por su propia seguridad, si alguna parte faltara o estuviera dañada, no utilice el humidificador.

PRECAUCIÓN: Para reducir el riesgo de incendio, descarga eléctrica o daños, siempre desconecte la unidad antes de realizar el mantenimiento o la limpieza.

PRECAUCIÓN: Para reducir el riesgo de incendio o electrocución, no vierta ni derrame agua sobre la zona del motor o del control. Si se mojan los controles, déjelos secar completamente y haga revisar la unidad por personal de mantenimiento autorizado antes de conectarla.

INTRODUCCIÓN

Su nuevo humidificador añade humedad invisible a su hogar desplazando aire seco a través de una mecha saturada. A medida que el aire atraviesa la mecha, el agua se evapora en el aire, dejando atrás polvo blanco, minerales o sólidos disueltos o suspendidos. Debido a que el agua se evapora, queda solamente aire húmedo, limpio e invisible.

A medida que la mecha de evaporación atrapa los minerales acumulados en el agua, se reduce su capacidad de absorber y evaporar agua. Se recomienda cambiar la mecha al comienzo de la estación. En áreas de aguas duras, deberá reemplazarla con más frecuencia para mantener la eficiencia de su humidificador.

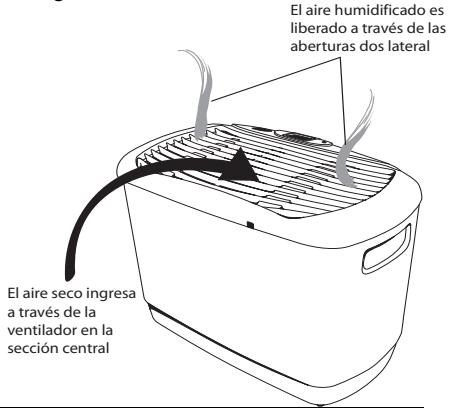
Utilice únicamente mechas de repuesto y químicos AIRCARE® o Essick Air®. Para solicitar piezas, mechas y químicos llame al 1-800-547-3888. Lo humidificador uso mechas N° 1040. Sólo las mechas de evaporación AIRCARE® o /Essick Air® garantiza el rendimiento certificado de su humidificador. El uso de mechas de otras marcas anula la certificación de rendimiento y puede anular su garantía.

FUNCIONAMIENTO DE SU HUMIDIFICADOR

Su nuevo humidificador está diseñado para satisfacer los requisitos de humedad del hogar por medio del principio de evaporación de agua en el aire.

Una vez que el filtro se satura, el aire ingresa, pasa a través del filtro y la humedad es absorbida y liberada en el aire. Toda la evaporación se produce en el humidificador para que cualquier residuo permanezca en el filtro.

Este proceso natural de evaporación elimina prácticamente todo el polvo blanco.



Descripción	5D6 700
Rendimiento de galones durante 24 horas	5 galones
Capacidad de la humidificador	3 galones
Cobertura en pies cuadrados	1700 Construcción hermética 1100 Construcción promedia
Velocidades del ventilador	4
Meche de reemplazo	1040
Filtre à air 1050 optionnel	1050
Humidistato ajustable	Si
Controles	Electrónico
Registrado por ETL	Si
Voltios	120
Hertz	60
Watts	40

* Basado en una superficie con aislamiento promedio y una altura de cielorraso de 8 pies.

NOTAS SOBRE LA UBICACIÓN:

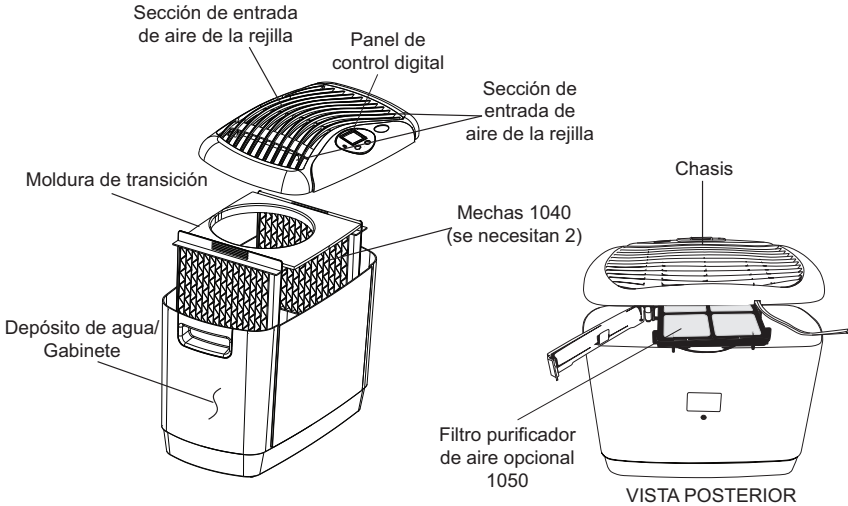
Con el fin de conseguir un uso más efectivo del humidificador, es importante colocar la unidad donde se requiera la mayor cantidad de humedad o en el lugar de la casa donde circulará la mayor cantidad de aire; por ejemplo, cerca de un retorno de aire frío. Si la unidad se coloca cerca de una ventana, puede formarse condensación en el cristal de la ventana. Si esto sucede, se debe colocar la unidad en otro lugar.

NO sitúe la unidad directamente delante de un conducto de aire caliente o radiador. NO coloque la unidad sobre una alfombra mullida. Debido a que el humidificador emite aire frío y

húmedo, se recomienda orientar la dirección del aire lejos del termostato y de las rejillas de aire caliente. Coloque el humidificador cerca de una pared interna en un lugar nivelado a 10 centímetros de distancia, como mínimo, de la pared o de las cortinas.

MONTAJE

- 1) Desempaquetar el humidificador, sacándolo de la caja.
- 2) Retire todos los materiales de embalaje, mecha, etc. del gabinete. **RETIRE EL ENVOLTORIO PLÁSTICO DE CADA MECHA.**
- 3) Coloque las mechas en la posición correspondiente deslizándolas sobre las nervaduras de montaje ubicadas en el fondo del gabinete.
- 4) Inserte la plataforma plástica con el recorte circular (moldura de transición) sobre las mechas montadas. Observe que la moldura de transición está perforada y marcada como "FRONT" para indicar la posición correcta.



Piezas De Repuesto Disponibles Para Compra	
Descripción	Nº de Parte
Chasis (parte superior de la unidad)	1B72700
Gabinete	1B71784
Moldura de transición	1B71786
Mecha del humidificador (se necesitan 2)	1040
Filtro purificador de aire (opcional)	1050

Para encomendar piezas y accesorios, llame al 1-800-547-3888. Si decide llamar por teléfono, tenga disponible el modelo y el número de serie del humidificador

LLENADO

ADVERTENCIA: Antes de realizar el llenado, asegúrese de que la unidad esté **APAGADA y desenchufada.**

Nota: La unidad continuará funcionando incluso cuando está fuera del agua.

- 1) Antes de volver a colocar el chasis, llene el gabinete con agua sin ablandar. **NO DEJAR CAER AGUA SOBRE EL CHASIS ELÉCTRICO.** Llene el gabinete únicamente a través de la abertura entre la mecha y la pared lateral del gabinete. Tenga en cuenta el indicador de nivel máximo (MAX) ubicado en la pared lateral del gabinete. **NO EXCEDA EL LÍMITE DE LLENADO.** La capacidad del gabinete es de 3 galones.

OBSERVACIÓN: Si solamente tiene agua blanda disponible, puede usarla, pero observará incrustación más rápida de minerales en la mecha evaporadora.

PRECAUCIÓN: No derrame agua sobre el motor del ventilador. Los componentes eléctricos deben mantenerse secos.

NOTA: Se recomienda utilizar el Tratamiento Antibacteriano AIRCARE® o Essick Air® cuando rellene el depósito de agua para eliminar el desarrollo de bacterias. Añada el bactericida según las instrucciones del envase.

En ninguna circunstancia debe usted usar productos de tratamiento de agua diseñados para humidificadores de rotocorrea o ultrasónicos.

ACERCA DE LA HUMEDAD

El punto en el que ajuste los niveles de humedad deseados depende de su nivel de comodidad personal, la temperatura exterior y la temperatura interior.

NOTA: Pruebas recientes de los CDC muestran que las posibilidades de transmisión de la gripe se reducen en gran medida a niveles de 43% de humedad.

Es posible que desee comprar un higrómetro para medir el nivel de humedad en su hogar. El siguiente es un diagrama de ajustes de humedad recomendados.

IMPORTANTE: El agua puede producir daños si comienza a formarse condensación en ventanas o paredes. Debe disminuirse el punto de AJUSTE de la humedad hasta que ya no se forme condensación. Se recomienda que los niveles de humedad de la habitación no excedan el 50%.

Cuando la temperatura exterior es de:		La humedad relativa (HR) interior recomendada es del
°F	°C	
-20	-30°	15 - 20%
-10°	-24°	20 - 25%
2°	-18°	25 - 30%
10°	-12°	30 - 35%
20°	-6°	35 - 40%
30°	-1°	40 - 45%

* Modelo 1990 higrómetro digital está disponible para su compra llamando al 1-800-547-3888.

NOTA: Las lecturas del higrómetro externos y lecturas humidistato pueden ser diferentes. Los niveles de humedad pueden variar significativamente, incluso en una habitación.

OPERACIÓN

Conecte el enchufe en un tomacorriente de pared. Su humidificador ya está listo para ser utilizado. El humidificador se debe colocar a DIEZ centímetros, como mínimo, de cualquier pared y lejos de rejillas de calor. Con la libre circulación de aire en la unidad, se obtendrá el mejor rendimiento y funcionamiento.

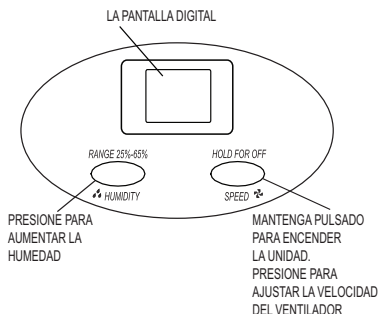
NOTA: La unidad 5D6700 posee un humidistato automático situado en el cable, que mide la humedad relativa de la habitación. El humidistato encenderá el humidificador cuando la humedad relativa en el hogar sea inferior al ajuste del humidistato y apagará el humidificador cuando la humedad relativa alcance el ajuste que figura en el humidistato.

PARA ACTIVAR/ DESACTIVAR

Para la operación inicial, enchufe la unidad en (el visor mostrará __). Mantenga pulsado el botón SPEED durante cinco segundos para activar o desactivar la unidad.

VENTILADOR VELOCIDADES

- 1) El ventilador cambia la velocidad del ciclo desde la velocidad más alta a la más baja.
- 2) Presione el botón SPEED (Velocidad) para ajustar la configuración del ventilador.
- 3) El velocidades (4- Mayor a 1- Bajas) se mostrará en el panel digital).



CONTROL DE LA HUMEDAD

- 1) El higrómetro sobre el cable lee la humedad ambiente actual y muestra el porcentaje en el panel LCD.
- 2) Para establecer la humedad deseada, presione el botón HUMIDITY (Humedad). Cada vez que presione el botón, la humedad aumentará en incrementos de 5%. El rango del 25 al 65 % y se ajusta en incrementos del 5 %. Un punto de ajuste de 65 % hace que el humidificador funcione de forma continua, independientemente de la lectura del ambiente.
- 3) En 65% el humidificador funcionará constantemente con o sin agua.

NOTA: Se recomienda disminuir la velocidad cuando exista una condensación excesiva.

ADVERTENCIA: Desconecte el suministro de energía antes de realizar el llenado, la limpieza o el mantenimiento de la unidad. Mantenga la rejilla seca en todo momento.

CONTROL DEL FILTRO

La capacidad de cualquier humidificador para suministrar de manera eficiente humedad depende en gran medida de la condición del filtro. A medida que el filtro se carga con impurezas, pierde gradualmente su capacidad de mecha.

Cuando esto ocurre, la producción de humedad se reduce y el humidificador tiene que trabajar más tiempo para satisfacer el ajuste seleccionado.

- 1) Este humidificador posee un recordatorio de control de filtro programado para dar aviso después de 720 horas de funcionamiento. Cuando el mensaje de control del filtro (CF) aparezca en el visualizador, desconecte el cable de alimentación y controle el estado del filtro. Si es evidente que hay una acumulación de depósitos o una decoloración intensa, reemplace el filtro para restablecer la máxima eficiencia. La función CF vuelve a cero luego de conectar la unidad nuevamente.



Visualización de la función de control del filtro



Visualización de bloqueo del control

FUNCIÓN DE BLOQUEO DEL CONTROL

- 2) Para evitar que los ajustes del humidificador se vean alterados involuntariamente, los controles pueden bloquearse.

PROCEDIMIENTO DE ACTIVACIÓN

Después de configurar las funciones del humidificador, mantenga presionado ambos botones durante 5 segundos. El visualizador mostrará "CL" por 2 segundos; suelte el botón de encendido y el control volverá a mostrar la humedad de la habitación. El humidificador seguirá funcionando con los ajustes bloqueados. Si se operan los botones mientras el bloqueo del control ("CL") está activado, el visualizador mostrará "CL" y los ajustes no se modificarán.

PROCEDIMIENTO DE DESACTIVACIÓN

Para desactivar la función de bloqueo del control ("CL"), solo mantenga presionado ambos botones durante 5 segundos. "CL" parpadeará a razón de 1 segundo encendido y 1 segundo apagado durante 2 segundos y, luego, volverá a mostrar la humedad de la habitación.

REEMPLAZO DE LA MECHA

ADVERTENCIA: Antes de cambiar la mecha, asegúrese de que la unidad esté APAGADA y desenchufada.

NOTA: Esta unidad utiliza el modelo des mechas1040. Reemplace las mechas al comienzo de cada estación, y con mayor frecuencia en áreas con aguas duras.

- 1) Levante el chasis y reservar.
- 2) Levante la bandeja de moldeo de transición, luego retire y deseche mechas usadas.
- 3) Instale nuevas mechas de acuerdo con las instrucciones que figuran en la sección MONTAJE.

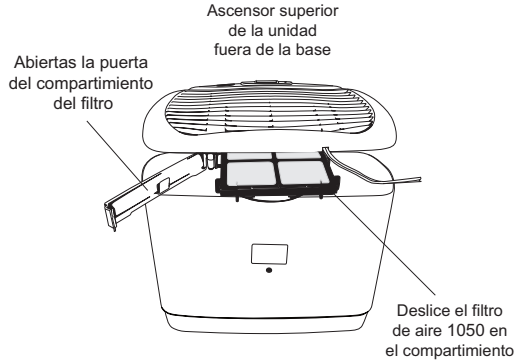
OPCIONAL FILTRO AIRCARE[™]

DESCRIPCIÓN

Este humidificador se construye para dar cabida a un filtro de aire (Nº 1050) de dos etapas, opcional. La primera etapa del filtro de aire es un filtro electrostático de alta eficiencia, que atrapa el polvo, polen y contaminantes del aire. La segunda etapa del filtro AIRCARE[®] es un dispositivo de carbón activado que absorbe los olores de la cocina, de animales domésticos o humo de tabaco. Recomendamos cambiar el filtro AIRCARE[®] por lo menos una vez al año o más frecuentemente, en caso necesario. Cuando el filtro blanco esté revestido de una capa de polvo y suciedad, el filtro debe cambiarse. La capacidad de salida de agua certificada para su humidificador se reducirá cuando use el filtro AIRCARE[®]. Los filtros AIRCARE[®] son opcionales y no son necesarios para la operación normal del humidificador.

INSTALACIÓN:

- 1) Para instalar el facultativo filtro de aire, retire el chasis (parte superior de la unidad).
- 2) Desde la parte trasera, localice el compartimento del filtro de aire y abrir la puerta.
- 3) Coloque la 1050 AIRCARE filtro en el compartimento y cierre la puerta.
- 4) Sustitúyase el chasis en el gabinete.



CUIDADO Y MANTENIMIENTO

Limpiar su humidificador regularmente ayuda a eliminar olores y el crecimiento de bacterias y hongos. El blanqueador doméstico común es un buen desinfectante y se puede usar para reparar la base del humidificador y la botella después de limpiarlos.

Recomendamos limpiar su humidificador por lo menos una vez por semana para mantenerlo con las condiciones ambientales ideales.

También recomendamos usar el Tratamiento Bactericida Essick Air cada vez que rellene su humidificador para eliminar el crecimiento bacteriano. Añadir el bactericida de acuerdo a las instrucciones de la etiqueta. Para encomendar el Tratamiento Bactericida, llamar al 1-800-547-3888 y solicitar el número de repuesto 1970.

DESARMADO PARA LIMPIEZA

- 1) Apague la unidad y desenchúfela del tomacorriente.
- 2) Levante y saque el chasis y la moldura de transición del gabinete y déjelos a un costado.
- 3) Levante y saque las mechas del gabinete, permita que el agua de las mechas caiga dentro del gabinete y después déjelas a un costado.
- 4) Vacíe el gabinete en la pileta. Retire el resto de agua del gabinete con una esponja.

REMOCIÓN DE SARRO

- 5) Llene el gabinete con agua y luego agregue 8 onzas (1 taza) de vinagre blanco. Dejar la solución durante 20 minutos y después vaciar.
- 6) Limpie todas las superficies interiores del gabinete con un cepillo blando. Humedezca un paño suave con vinagre blanco y frote el gabinete para retirar el sarro.
- 7) Enjuague el gabinete cuidadosamente con agua limpia para quitar el sarro y la solución de limpieza.

DESINFECCIÓN DE LA UNIDAD

- 8) Llene el gabinete con agua y agregue 3 cucharaditas de té de blanqueador clorado. Dejar reposar durante 20 minutos.
- 9) Vaciar y enjuagar bien.
- 10) Llene la gabinete nuevamente con agua y vuelva a armar la unidad.

ALMACENAMIENTO DURANTE EL VERANO

- 1) Limpiar la unidad como se describe en la sección Cuidados y Mantenimiento.
- 2) Desechar los filtros/mecha usados y el agua del depósito y dejar secar bien el gabinete antes de guardarlo. **No guardarlo con agua dentro del depósito.**
- 3) No almacenar la unidad en sótanos o áreas con alta temperatura, que se produzcan daños.
- 4) Instalar un nuevo meche al comienzo de la temporada.

POLÍTICA DE GARANTÍA LIMITADA DE DOS AÑOS

PARA CUALQUIER RECLAMO RELACIONADO CON LA GARANTÍA ES NECESARIO PRESENTAR EL RECIBO COMO PRUEBA DE COMPRA

Esta garantía se extiende solo al comprador original de este humidificador, siempre y cuando la unidad sea instalada y utilizada en condiciones normales, contra defectos de fabricación y materiales como se detalla a continuación:

- Dos (2) años a partir de la fecha de la venta de la unidad y
- Treinta (30) días para mechas y filtros, que se consideran componentes desechables y deben reemplazarse periódicamente.

El fabricante reemplazará la parte o producto defectuoso, según lo crea conveniente, y se hará cargo de los gastos de envío de la devolución al cliente. Se acuerda que el reemplazo es la única solución que el fabricante tiene disponible. ASIMISMO, HASTA EL GRADO MÁXIMO PERMITIDO POR LA LEY, EL FABRICANTE NO SE HACE RESPONSABLE POR LOS DAÑOS DE CUALQUIER TIPO, INCLUIDOS DAÑOS INCIDENTALES Y EMERGENTES, O LA PÉRDIDA DE GANANCIAS O INGRESOS.

Algunos estados no permiten limitaciones con respecto a cuánto tiempo dura una garantía implícita, por lo tanto es posible que las limitaciones detalladas anteriormente no se apliquen a usted.

Exclusiones de esta garantía

No nos responsabilizamos por el reemplazo de mecheros y filtros.

No nos responsabilizamos por cualquier tipo de daños accidentales o resultantes, producto de cualquier tipo de mal funcionamiento, accidente, mal uso, alteraciones, reparaciones no autorizadas, abuso, incluidos la falta de mantenimiento razonable, uso o desgaste normal, ni en situaciones donde el voltaje conectado sea un 5% mayor al indicado por la placa indicadora.

Las alteraciones que puede sufrir el producto incluyen la sustitución de componentes de marca, incluido, pero no limitado al tratamiento de bacterias y mechas del humidificador.

No nos responsabilizamos por cualquier daño provocado por el uso de suavizantes o tratamientos de agua, químicos o materiales de descalcificación.

No nos responsabilizamos por el costo de las llamadas al servicio para diagnosticar la causa del problema o el cargo de la mano de obra para reparar o reemplazar piezas.

Los empleados, agentes, distribuidores u otras personas no se encuentran autorizados a brindar garantías o condiciones en nombre del fabricante. El cliente será responsable por todos los costos de mano de obra incurridos.

Esta garantía quedará sin validez si el comprador intenta reparar o reemplazar cualquier pieza mecánica o eléctrica.

Igunos estados no permiten la exclusión o la limitación de daños incidentales o resultantes, por lo tanto es posible que las limitaciones o exclusiones detalladas anteriormente no se apliquen a usted.

Cómo obtener servicio bajo esta garantía

Dentro de las limitaciones de la presente garantía, el comprador que tenga unidades fuera de funcionamiento debe comunicarse con el servicio de atención al cliente al **800-547-3888** para obtener instrucciones sobre cómo obtener las piezas de repuesto dentro de la garantía, como se indica anteriormente..

Esta garantía le confiere al cliente derechos específicos. Además, el cliente puede gozar de otros derechos que varían según la provincia o el estado.

Registre su producto en www.essickair.com o www.AIRCAREproducts.com.

AIRCARE®

ESSICK AIR PRODUCTS

5800 MURRAY ST.
LITTLE ROCK, AR. 72209