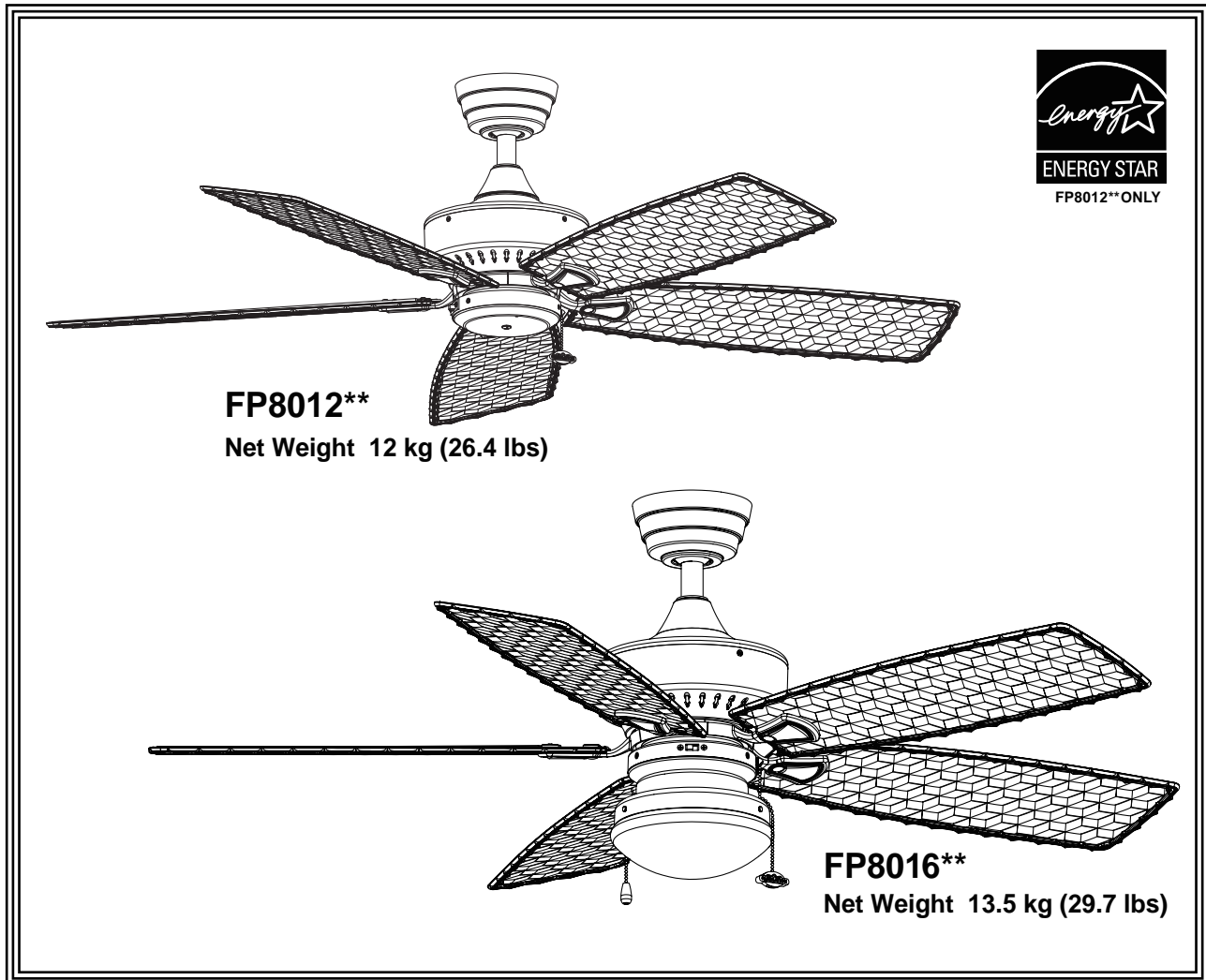


# The Cancun<sup>TM</sup> Ceiling Fans



Model Nos. FP8012\*\* | FP8016\*\*

## OWNER'S MANUAL

READ AND SAVE THESE INSTRUCTIONS



# Important Safety Instructions

**WARNING:** To avoid fire, shock and serious personal injury, follow these instructions.

1. Read your owner's manual and safety information before installing your new fan. Review the accompanying assembly diagrams.
2. Before servicing or cleaning unit, switch power off at service panel and lock service panel disconnecting means to prevent power from being switched on accidentally. When the service disconnecting means cannot be locked, securely fasten a warning device, such as a tag, to the service panel.
3. Be careful of the fan and blades when cleaning, painting, or working near the fan. Always turn off the power to the ceiling fan before servicing.
4. Do not insert anything into the fan blades while the fan is operating.
5. Do not operate reversing switch until fan blades have come to a complete stop.

## Additional Safety Instructions

1. To avoid possible shock, be sure electricity is turned off at the fuse box before wiring, and do not operate fan without blades.
2. All wiring and installation procedures must satisfy National Electrical Codes (ANSI/ NFPA 70-1999) and Local Codes. The ceiling fan must be grounded as a precaution against possible electrical shock. Electrical installation should be made or approved by a licensed electrician.
3. The fan base must be securely mounted and capable of reliably supporting at least 35 lbs. See page 4 of owner's manual for support requirements. Consult a qualified electrician if in doubt.
4. The fan must be mounted with the fan blades at least 7 feet from the floor to prevent accidental contact with the fan blades.
5. Follow the recommended instructions for the proper method of wiring your ceiling fan. If you do not have adequate electrical knowledge or experience, have your fan installed by licensed electrician.
6. Suitable for use in wet locations.

**WARNING:** This product is designed to use only those parts supplied with this product and/or accessories designated specifically for use with this product. Using parts and/or accessories not designated for use with this product could result in personal injury or property damage.

**WARNING:** To reduce the risk of personal injury, do not bend the blade bracket (flange or blade holder) when installing the brackets, balancing the blades, or cleaning the fan. Do not insert foreign objects in between rotating fan blades.

**WARNING:** To Reduce The Risk Of Fire Or Electric Shock. Do Not Use This Fan With Any Solid-State Speed Control Device.

**WARNING:** To Reduce The Risk Of Electric Shock. Disconnect The Electrical Supply Circuit To The Fan Before Installing Light Kit.

## LIMITED LIFETIME WARRANTY

Extends to the original purchaser of a Fanimation Fan

1. **LIMITED LIFETIME MOTOR WARRANTY** - If any part of your fan motor fails, due to a defect in materials or workmanship during the lifetime of the original purchaser, Fanimation will provide the replacement part free of charge, when the defective fan is returned to our national service center. Proof of purchase is required. Customer shall be responsible for all costs incurred in the removal or reinstallation and shipping of the product for repairs or replacement.
2. **ONE YEAR MOTOR LABOR WARRANTY** - If your fan motor fails at any time within one year from the original purchase, due to defects in materials or workmanship, labor to repair the motor will be provided free of charge at our national service center. Purchaser will be responsible for labor charges after this one-year period. Customer shall be responsible for all costs incurred in the removal or reinstallation and shipping of the product for repairs or replacement.
3. If any other part of your fan fails at any time within one year after original purchase, due to a defect in materials or workmanship, we will repair, or replace, at our option, the defective part free of charge for parts and labor performed at our national service center.
4. Because of varying climate conditions, this warranty does not cover changes in the finish, including rusting, pitting, corroding, tarnishing, or peeling.
5. This warranty is void and does not apply to damage from improper installation, neglect, accident, misuse, exposure to extremes of heat or humidity, or as a result of any modification to the original product.
6. All costs of removal and reinstallation of the fan are the sole responsibility of the owner of the fan and not the store that sold the fan or Fanimation.
7. Fanimation reserves the right to modify or discontinue any product at any time and may substitute any part under this warranty.
8. Under no circumstances may a fan be returned without prior authorization from Fanimation. The receipt of purchase must accompany authorized returns and must be sent freight prepaid to Fanimation. The fan to be returned must be properly packed to avoid damage in transit; Fanimation will not be responsible for any damage resulting from improper packaging.
9. It is understood that any repair or replacement is the exclusive remedy available from Fanimation. There is no other expressed or implied warranty. Fanimation hereby disclaims any and all implied warranties, including, but not limited to those of merchantability and fitness for a particular purpose to the extent permitted by law. Some states do not allow limitations on implied warranties. Fanimation will not be liable for incidental, consequential, or special damages arising out of or in conjunction with product use or performance, except as may otherwise be accorded by law. This warranty gives you special legal rights and you may also have other rights that vary from state to state.
10. A certain amount of wobble is normal and should not be considered a problem or a defect.

## Table of Contents

Unpacking Instructions .....	3	Switch Cup Adapter Assembly Installation .....	9
Energy Efficient Use of Ceiling Fans .....	4	Light Kit Assembly—FP8016OB ONLY .....	10
Electrical and Structural Requirements .....	4	Pull Chain Operating Instructions .....	11
How to Assemble Your Ceiling Fan .....	5	Maintenance .....	11
How to Hang Your Ceiling Fan .....	6	Parts List .....	12
How to Wire Your Ceiling Fan .....	7	Exploded-View Drawing .....	13
Installing the Canopy Housing .....	7	Trouble Shooting .....	14
How to Assemble the Blades .....	8		

# This Manual is Designed to Make it as Easy as Possible for You to Assemble, Install, Operate, and Maintain Your Ceiling Fan

## Tools Needed for Assembly

- One Phillips head screwdriver
- One wire stripper
- One stepladder
- Four wire connectors (supplied)
- One ¼" blade screwdriver

## Materials

Wiring outlet box and box connectors must be of type required by local code. The minimum wire would be a 3-conductor (2-wire with ground) of the following size:

Installed Wire Length	Wire Size A.W.G.
Up to 50 ft.	14
50 - 100 ft.	12

**NOTE:** Place the parts from the loose parts bags in a small container to keep them from being lost. If any parts are missing, contact your local retailer.

**▲ WARNING**

Before assembling your ceiling fan, refer to section on proper method of wiring your fan (page 4). If you feel you do not have enough wiring knowledge or experience, have your fan installed by a licensed electrician.

## Unpacking Instructions

For your convenience, check-off each step. As each step is completed, place a check mark. This will ensure that all steps have been completed and will be helpful in finding your place should you be interrupted.

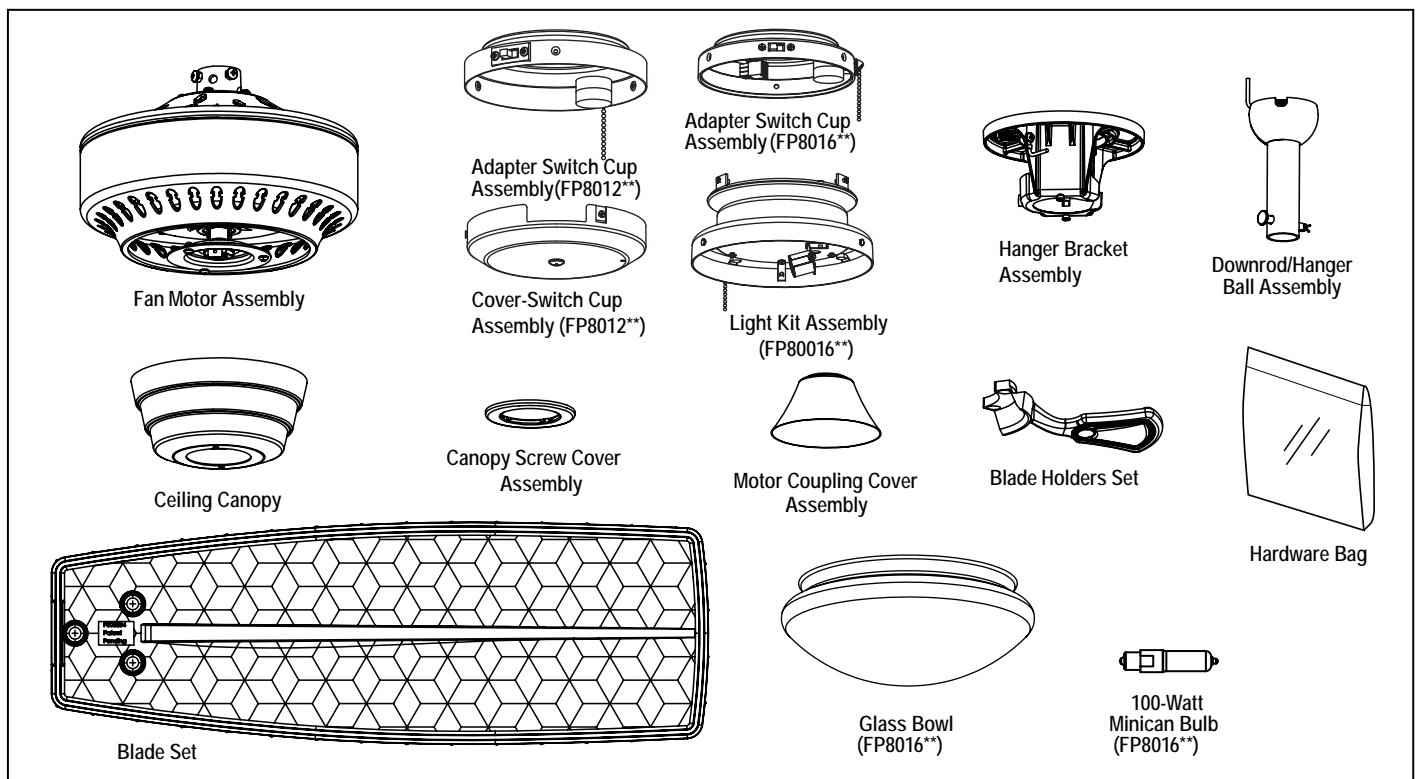
**▲ WARNING**

Do not install or use fan if any part is damaged or missing. This product is designed to use only those parts supplied with this product and/or any accessories designated specifically for use with this product by Fanimation. Substitution of parts or accessories not designated for use with this product by Fanimation could result in personal injury or property damage. Contact your retail store for missing or damaged parts.

1. Check to see that you have received the following parts:

**NOTE:** If you are uncertain of part description, refer to exploded view illustration. (Figure 1, page 11)

- Fan Motor Assembly
- Switch Cup/Adapter Assembly
- Light Kit Assembly (FP8016\*\*)
- Cover-Switch Cup Assembly (FP8012\*\*)
- Hanger Bracket Assembly
- Downrod/Hanger Ball Assembly
- Ceiling Canopy
- Canopy Screw Cover Assembly
- Motor Coupling Cover Assembly
- Blade Holder Set
- Blade Set
- Glass Bowl (FP8016\*\* only)
- 100 watt minican bulb (FP8016\*\* only)
- Hardware bags:
  - ¼-20 x 14 mm screws with lock washers (blade holder to fan motor hub)
  - ¾-24 x 7.5 mm washer-head screws (blade to blade holder)
  - Fiber washers
  - Phillips screwdriver, 4"
  - Four wire connectors
  - Chain fob/coupler
  - Balance Kit
  - Pull Chain Kit -fan
  - Pull Chain Kit -ligh (FP8016\*\* only)
  - #8-32x19 mm Junction box screws
  - Flat Washer Ø12 x Ø5 x 1 mm, Stainless Steel (2)



# Energy Efficient Use of Ceiling Fans

Ceiling fan performance and energy savings rely heavily on the proper installation and use of the ceiling fan. Here are a few tips to ensure efficient product performance.

## Choosing the Appropriate Mounting Location

Ceiling fans should be installed, or mounted, in the middle of the room and at least 7 feet above the floor and 18 inches from the walls. If ceiling height allows, install the fan 8 - 9 feet above the floor for optimal airflow. Consult your Fanimation Retailer for optional mounting accessories.

## Turn Off When Not in the Room

Ceiling fans cool people, not rooms. If the room is unoccupied, turn off the ceiling fan to save energy.

## Using the Ceiling Fan Year Round

**Summer Season:** Use the ceiling fan in the counter-clockwise direction. The airflow produced by the ceiling fan creates a wind-chill effect, making you "feel" cooler. Select a fan speed that provides a comfortable breeze, lower speeds consume less energy.

**Winter Season:** Reverse the motor and operate the ceiling fan at low speed in the clockwise direction. This produces a gentle updraft, which forces warm air near the ceiling down into the occupied space. Remember to adjust your thermostat when using your ceiling fan - additional energy and dollar savings could be realized with this simple step!

# Electrical and Structural Requirements

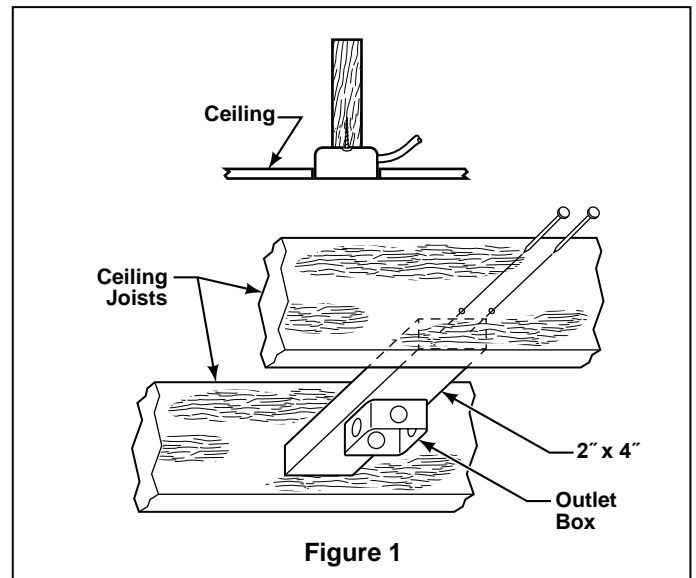
Your new ceiling fan will require a grounded electrical supply line of 120 volts AC, 60 Hz, 15 amp circuit. The outlet box must be securely anchored and capable of withstanding a load of at least 35 lbs. **Figure 1** depicts different structural configurations that may be used for mounting the outlet box.

## ⚠ WARNING

To reduce the risk of fire, electrical shock, or personal injury, mount fan to outlet box marked acceptable for fan support of 15.9 kg (35 lbs) or less. Use screws supplied with outlet box. Most outlet boxes commonly used for support of light fixtures are not acceptable for fan support and may need to be replaced. Consult a qualified electrician if in doubt.

## ⚠ WARNING

Turning off wall switch is not sufficient. To avoid possible electrical shock, be sure electricity is turned off at the main fuse box before wiring. All wiring must be in accordance with National and Local codes and the ceiling fan must be properly grounded as a precaution against possible electrical shock.

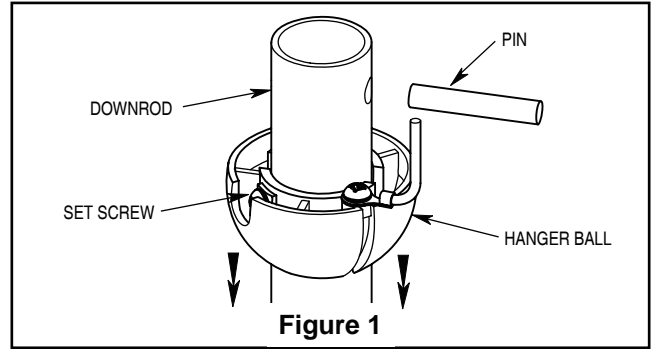


## ⚠ WARNING

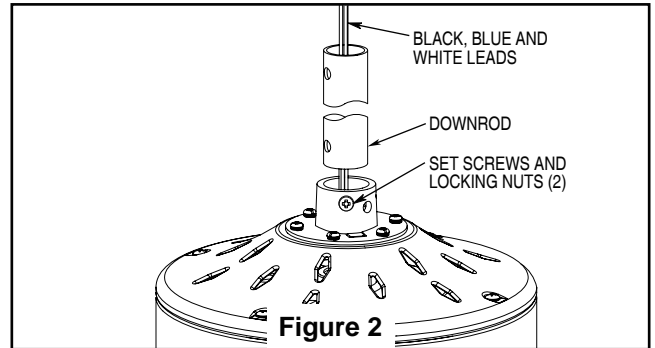
To avoid fire or shock, follow all wiring instructions carefully. Any electrical work not described in these instructions should be done or approved by a licensed electrician.

# How to Assemble Your Ceiling Fan

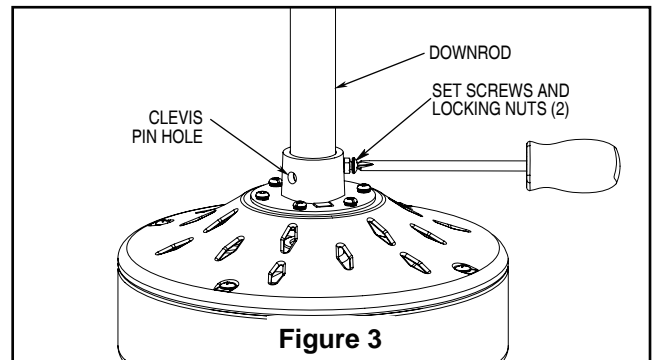
- 1. Remove the hanger ball portion from the downrod/hanger ball assembly by loosening the set screw in the hanger ball until the ball falls freely down the downrod. Remove the pin from the downrod, then remove the hanger ball. Retain the pin and hanger ball for reinstallation in Step 5. (Figure 1)



- 2. Loosen the two set screws in the downrod support of the motor assembly. Route the black, white and blue wires through the downrod. (Figure 2)

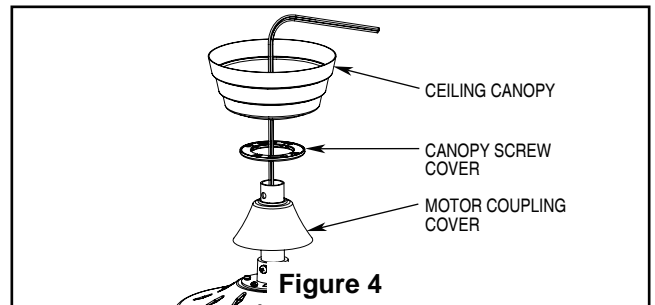


- 3. Slide downrod into the downrod support on top of the motor. Install the clevis pin by aligning the holes in the downrod support with holes in the downrod. Secure clevis pin with hairpin clip. Tighten the two set screws with nuts in the downrod support. (Figure 3)

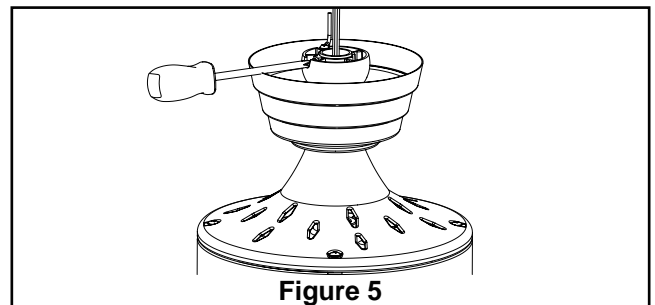


**WARNING**  
It is critical that the clevis pin in the downrod support is properly installed and the set screws and nuts are securely tightened. Failure to do so could result in the fan falling.

- 4. Route wires through Motor Coupling Cover, Canopy Screw Cover and Ceiling Canopy. (Figure 4)



- 5. Reinstall the hanger ball on the downrod as follows. Route the three 80 in. wires through the hanger ball. Position the pin through the two holes in the downrod and align the hanger ball so the pin is captured in the groove in the top of the hanger ball. Pull the hanger ball up tight against the pin. Securely tighten the set screw in the hanger ball. A loose set screw could create fan wobble. (Figure 5)



## How to Assemble Your Ceiling Fan (continued)

6. Cut off excess lead wire approximately 6 to 9 inches above top of the top of the downrod. Strip insulation off 1/2 inch from the end of each lead wire. (Figure 6)

**NOTE:** All set screws must be checked, and retightened where necessary, before installation.

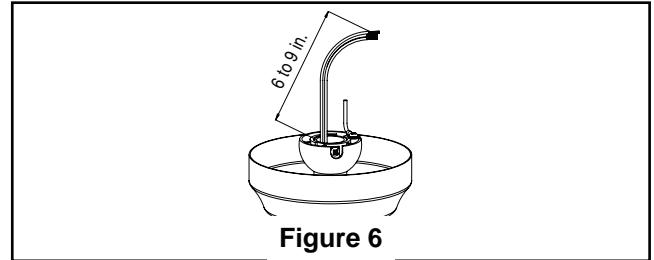


Figure 6

## How to Hang Your Ceiling Fan

### **⚠ WARNING**

To avoid possible fire or shock, be sure electricity is turned off at the main fuse box before hanging. (Figure 7)

**NOTE:** If you are not sure if the outlet box is grounded, contact a licensed electrician for advice, as it must be grounded for safe operation.

### **⚠ WARNING**

The fan must be hung with at least 7' of clearance from floor to blades. (Figure 8)

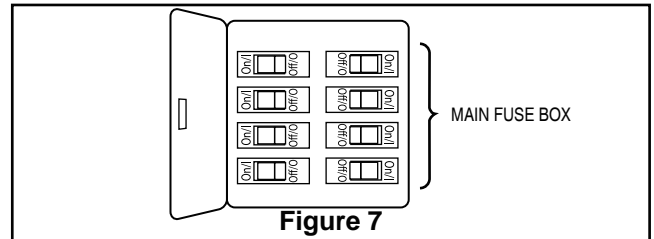


Figure 7

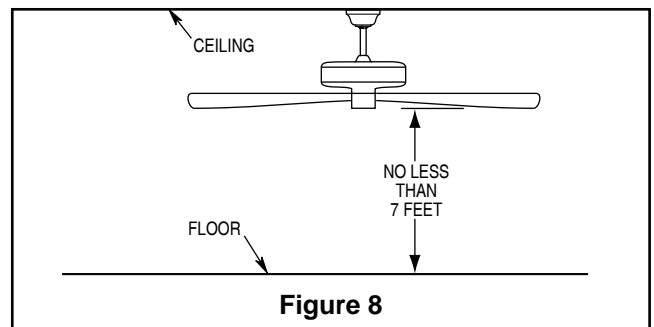


Figure 8

1. Securely attach the hanger bracket to the outlet box using the outlet box screws and washers supplied with the outlet box. (Figure 9)

### **⚠ WARNING**

The outlet box must be securely anchored. Hanger bracket must seat firmly against outlet box. If the outlet box is recessed, remove wall board until bracket contacts box. If bracket and /or outlet box are not securely attached, the fan could wobble or fall.

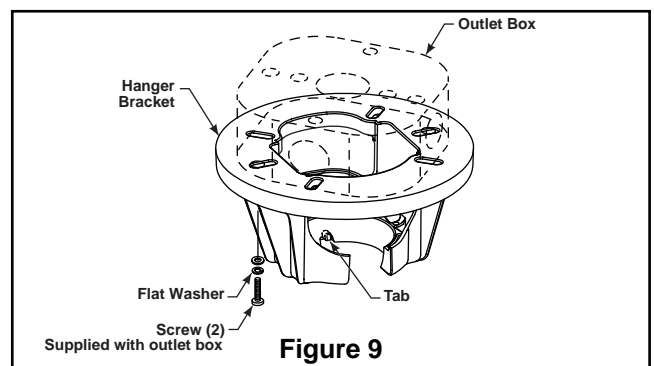


Figure 9

2. Carefully lift the fan and seat the downrod/hanger ball assembly on the hanger bracket that was just attached to the outlet box. Be sure the groove in the ball is lined up with tab on the hanger bracket. (Figure 10)

### **⚠ WARNING**

Failure to seat tab in groove could cause damage to electrical wires and possible shock or fire hazard.

### **⚠ WARNING**

To avoid possible shock, do not pinch wires between the hanger ball assembly and the hanger bracket.

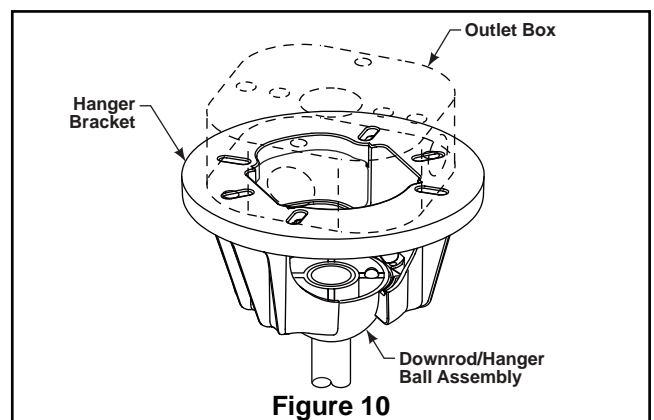


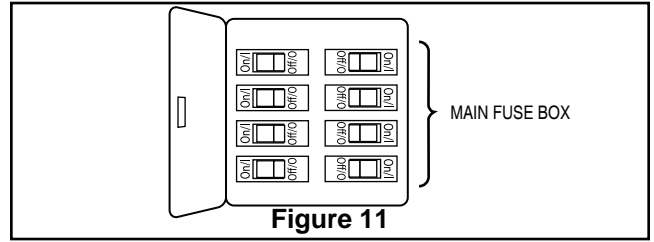
Figure 10



# How to Wire Your Ceiling Fan

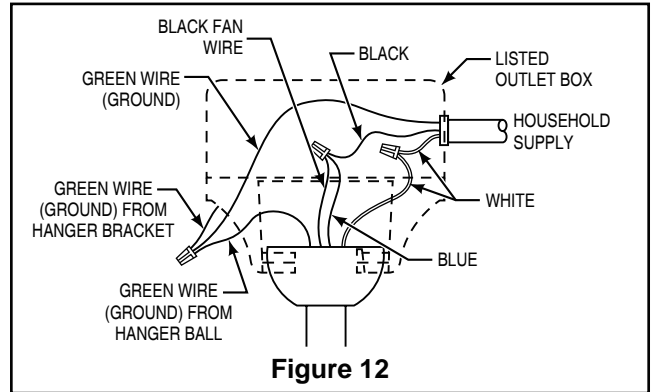
**⚠ WARNING**

**To avoid possible fire or shock, be sure electricity is turned off at the main fuse box before hanging. (Figure 11)**



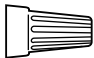
**Figure 11**

- 1. Connect the green grounding lead from the hanger ball and the green grounding lead from the hanger bracket to the supply grounding conductor (this may be a bare wire or wire with green colored insulation). Securely connect wires with wire connectors supplied. (Figure 12)
- 2. Securely connect the white fan motor wire to the white supply (neutral) wire using wire connector supplied. Securely connect the black fan motor wire and blue wire to the black supply wire using wire connector supplied. (Figure 12)



**Figure 12**

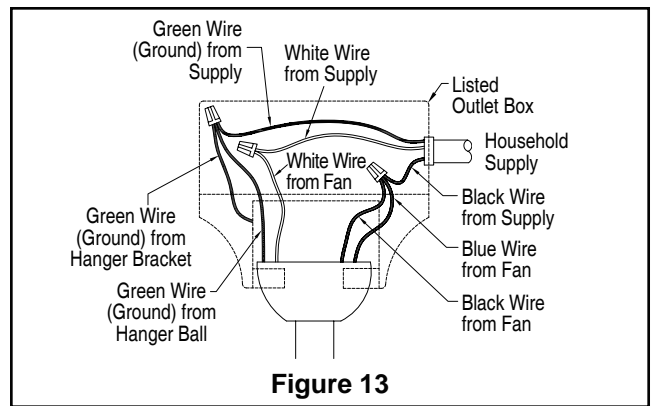
**HARDWARE USED:**

WIRE CONNECTORS  X 3

- 3. After splicing and making the wire connections, the wires should be spread apart and turned upward with the grounded conductor and the equipment-grounding conductor on one side of the outlet box and the ungrounded conductor on the other side of the outlet box. (Figure 13)

**⚠ WARNING**

**Check to see that all connections are tight, including ground, and that no bare wire is visible at the wire connectors, except for the ground wire. Do not operate fan until the blades are in place. Noise and fan damage could result.**



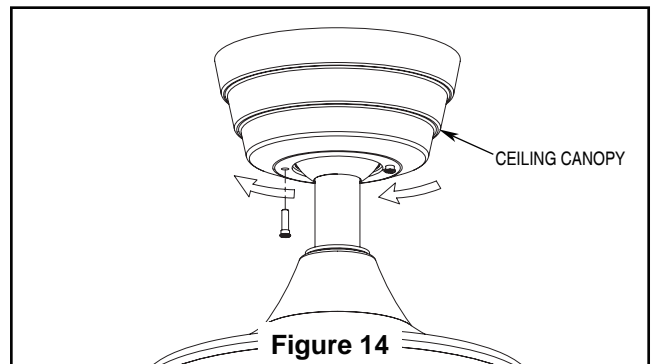
**Figure 13**

## Installing the Canopy Housing

- 1. Remove one of the two shoulder screws in the hanger bracket. Loosen the second shoulder screw without fully removing it. Assemble canopy by rotating key slot in canopy over shoulder screw in hanger bracket. Tighten shoulder screw. Fully assemble and tighten second shoulder screw that was previously removed. (Figure 14)

**⚠ WARNING**

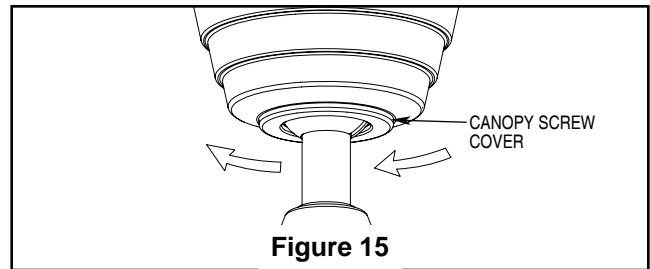
**To avoid possible fire or shock, make sure that the electrical wires are completely inside the canopy housing and not pinched between the housing and the ceiling.**



**Figure 14**

## Installing the Canopy Housing (continued)

2. Securely attach and tighten the canopy screw cover over the shoulder screws in the hanger bracket utilizing the key slot twist-lock feature. (Figure 15)

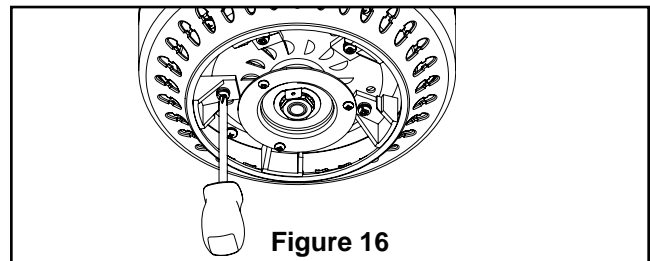


## How to Assemble the Blades

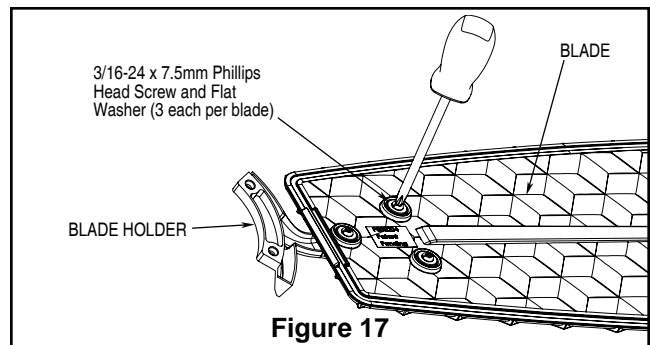
1. Remove and discard the five rubber motor stops from the motor assembly by removing the screws. (Figure 16)

### CAUTION

Do not connect fan blades until the fan is completely installed. Installing the fan with blades assembled may result in damage to the fan blades.



2. Position the blade over the blade holder with threaded posts showing. Make sure the bottom edge of the blade is fully seated against the blade arm. With a Phillips screwdriver, tighten 3/16-24x7.5 mm phillips head screws with flat washers to secure the blade to the blade arm. (Figure 17)



### HARDWARE USED:

3/16-24 x 7.5 mm PHILLIPS-HEAD SCREWS X 15

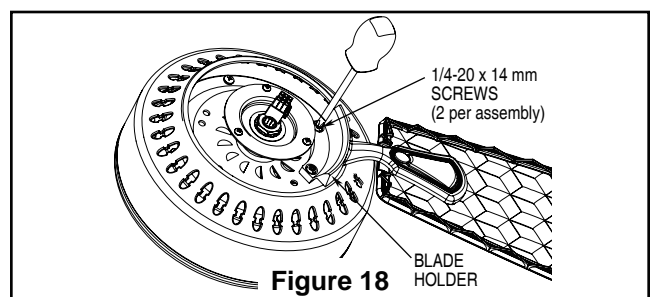
FLAT WASHER X 15

3. Attach blade holders to the motor hub using the 1/4-20x14 mm screws. (Figure 18)

*NOTE: Periodically check blade holder hardware and resecure if necessary.*

### CAUTION

To reduce the risk of personal injury, do not bend the blade holders when installing, balancing the blades or cleaning the fan. Do not insert foreign objects in between the rotating blades.



### HARDWARE USED:

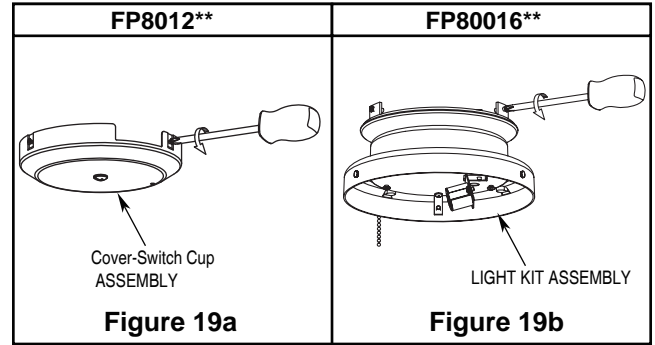
1/4-20 x 14 mm SCREWS X 10



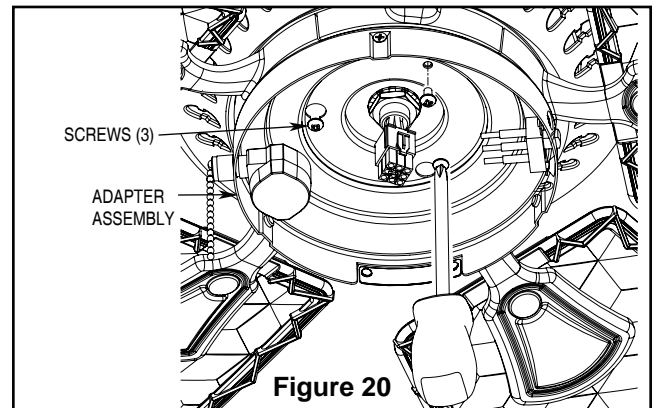
# Switch Cup/Adapter or Light kit Installation

1a. Remove the three screws from cover-switch cup assembly. (Figure 19a)

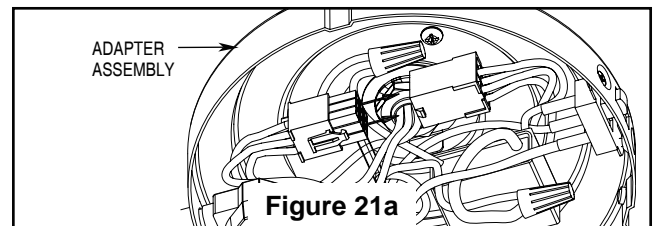
1b. Remove the three screws from light kit assembly. (Figure 19b)



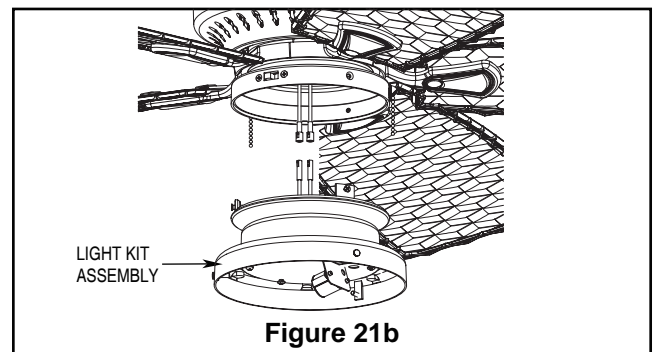
2. Remove one of the three screws in the support bracket. Slightly loosen the remaining two screws. Assemble the adapter assembly to the housing support bracket using the two key slots in the adapter assembly. Replace the third screw and securely tighten all three screws. (Figure 20)



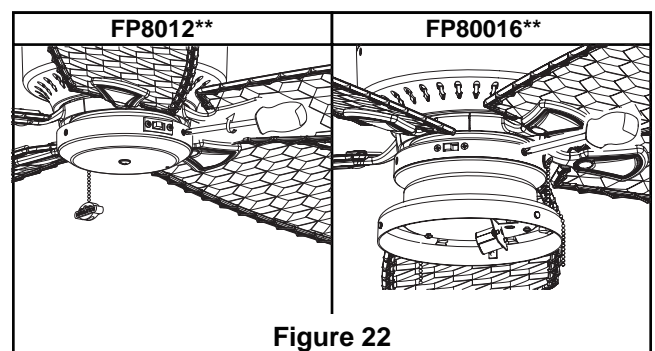
3a. Securely attach the 9-pin switch cup connector to the wiring harness socket within the adapter assembly. (Figure 21a)



3b. <<FP8016\*\* ONLY>> Connect the 2-pin connector from the light kit assembly to the 2-pin connector from the motor assembly. (Figure 21b)



4. Install the housing switch cup onto the assembled adapter with the three screws removed in step 1. (Figure 22)



# Light Kit Assembly—FP8016\*\* ONLY

1. Install included minican bulb into the socket.  
(Figure 23)

## CAUTION

Bulb is pressurized and may shatter. **DO NOT TOUCH BULB WITH BARE HANDS.** Fingerprints may result in shorter bulb life. Remove fingerprints with alcohol prior to use.  
To reduce the risk of fire, use 100-watt max. type T4-minican JD E11 tungsten halogen bulb. Turn off the wall switch and allow the bulb to cool for 10 minutes before relamping.

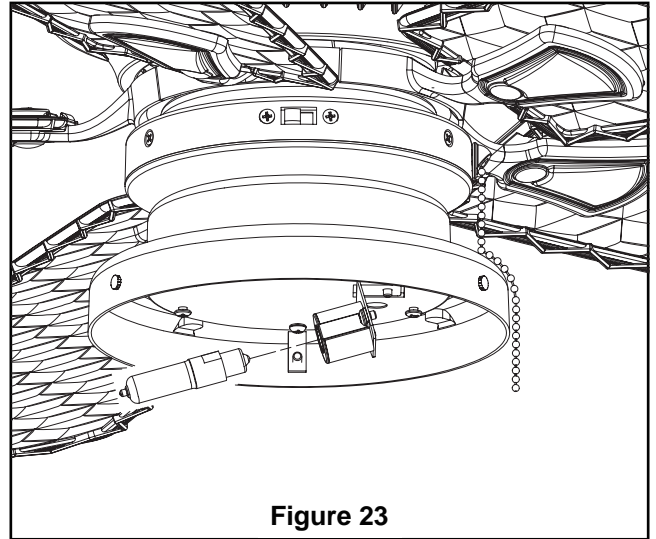


Figure 23

2. Loosen the three thumb screws provided on the rim of the light kit so the lip of the glass can be raised up into the light kit. (Figure 24)

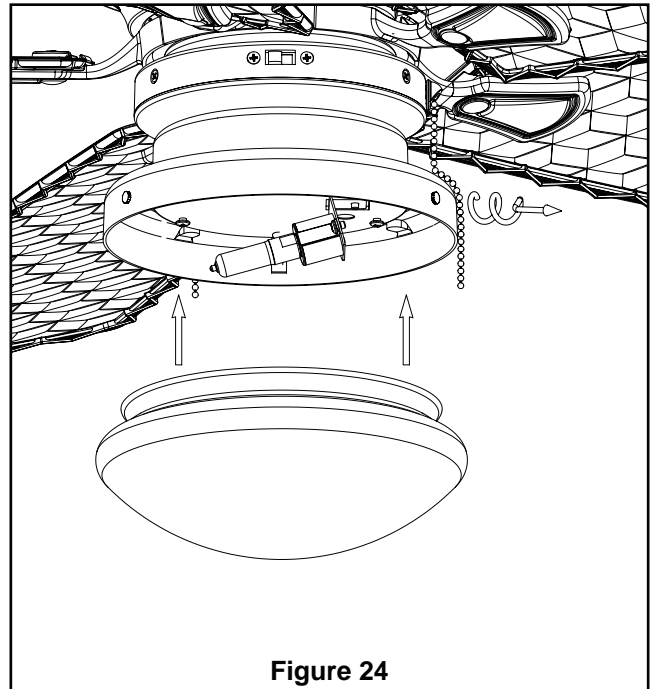


Figure 24

3. Install pull chains and fobs. (Figure 25)

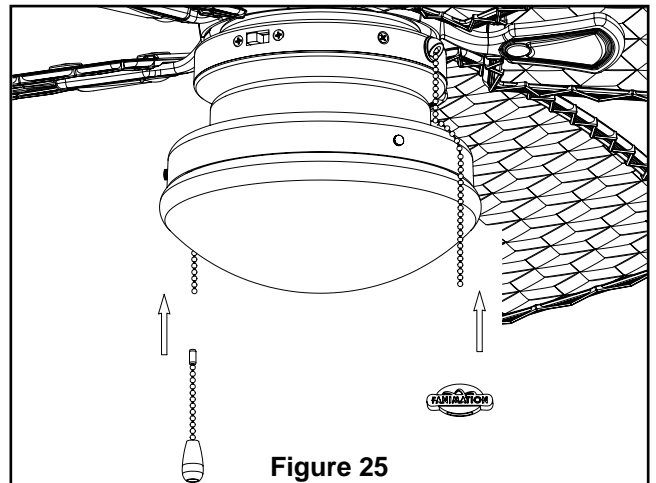
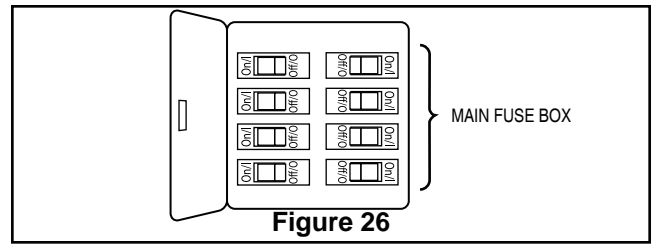


Figure 25

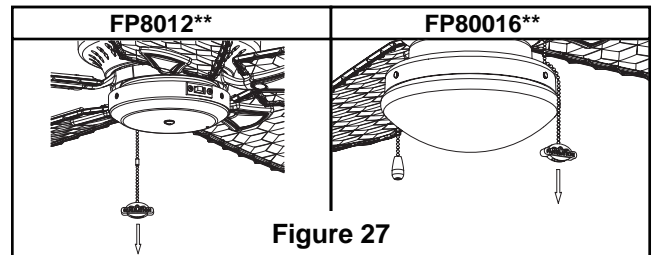
# Pull Chain Operating Instructions

1. Restore electrical power to the outlet box by turning the electricity on at the main fuse box. (Figure 26)



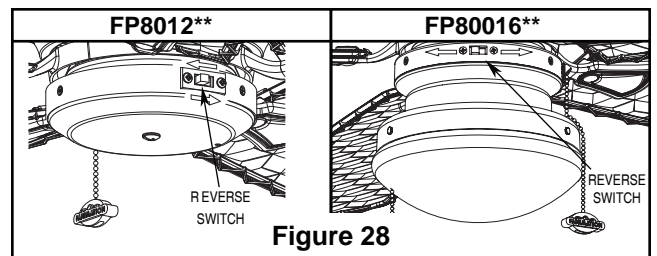
2. Check the operation of the fan by gently pulling on the fan speed pull chain. (Fig. 27)

Pull Chain Operating Sequence	
1 <sup>st</sup> Pull	High
2 <sup>nd</sup> Pull	Medium
3 <sup>rd</sup> Pull	Low
4 <sup>th</sup> Pull	Off

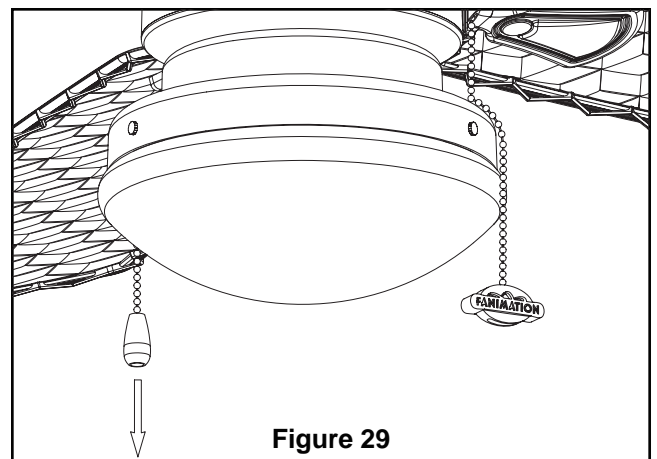


3. If airflow is desired in the opposite direction, turn the fan off and wait for the blades to stop turning. Then slide the reverse switch to the opposite position and turn fan on again. Your fan model is equipped with a 4-position, 3-speed, pull chain switch. (Figure 28)

Reverse Switch Information		
Season	Rotation Direction	Switch Position
Summer	Counter-Clockwise	Left
Winter	Clockwise	Right



4. <<FP8016\*\* ONLY>> Check the operation of the down light by gently pulling on the light pull chain. (Figure 29)



## Maintenance

Periodic cleaning of your new ceiling fan is the only maintenance necessary.

When cleaning, use only a soft brush or lint free cloth to avoid scratching the finish.

Abrasive cleaning agents are not required and should be avoided to prevent damage to finish.

### CAUTION

**Do not use water when cleaning your ceiling fan. It could damage the motor or the blades and create the possibility of electrical shock.**

# Parts List

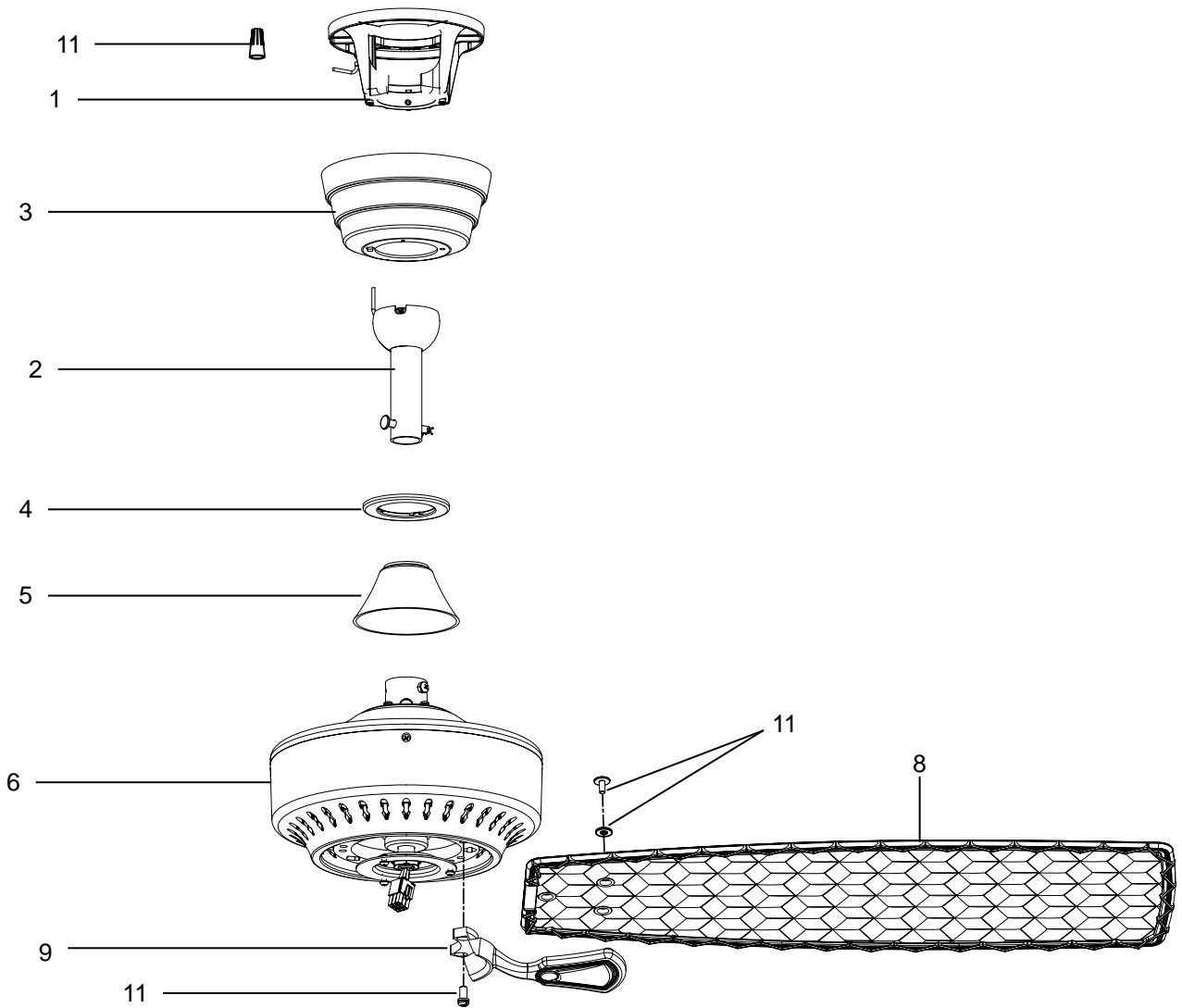
## Models FP8012\*\* & FP8016\*\*

Ref. #	Description	FP8012**	FP8016**
1	Hanger Bracket Assembly	AP255BL	AP255BL
2	Downrod/Hanger Ball Assembly:	ADR1-45**	ADR1-45**
3	Ceiling Canopy	P801201**	P801201**
4	Canopy Screw Cover	AP260**	AP260**
5	Motor Coupling Cover	AP801202**	AP801202**
6	Fan Motor Assembly	AMA8012**	AMA8016**
7a	Adapter Switch Cup Assembly	AP801209**	AP801604**
7b	Cover-Switch Cup Assembly	AP801210**	—
7c	Light Kit Assembly	—	AP801605**
7d	Light Bulb	—	PPE11B100
8	Blade Set	AP805204**	AP805204**
9	Blade Holder Set	AP800903**	AP800903**
10	Glass Bowl—Opal Frosted	—	P801603OP
11	Hardware Bag	HDWFP8012**	HDWFP8016**
	Loose Hardware Bag:		
	<i>Blade Balance Kit</i>		
	<i>Chain Coupler</i>		
	<i>Chain Fob</i>		
	<i>Wire Connectors (4)</i>		
	<i>Pull Chain Kit—Light (FP8016OB only)</i>		
	<i>#8–32 x 19mm Junction Box Screws (2)</i>		
	<i>Flat Washer Ø12 x Ø5 x1 mm, Stainless Steel (2)</i>		
	Blade Holder Mounting Hardware Bag:		
	<i>¼–20 x ½" Phillips Head Screws, with Lock Washers</i>		
	Blade Mounting Hardware Bag:		
	<i>3/16"–24 x 7.5 mm Phillips-Head Screws</i>		
	<i>Flat Washers</i>		
<i>4" Phillips Screwdriver</i>			

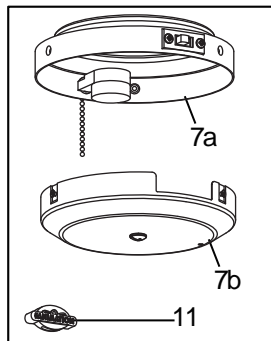
**Before discarding packaging materials, be certain all parts have been removed**

How To Order Parts
<p>When ordering repair parts, always give the following information:</p> <ul style="list-style-type: none"> <li>• Part Number</li> <li>• Part Description</li> <li>• Fan Model Number</li> </ul> <p>Contact your retail store for repair parts.</p>

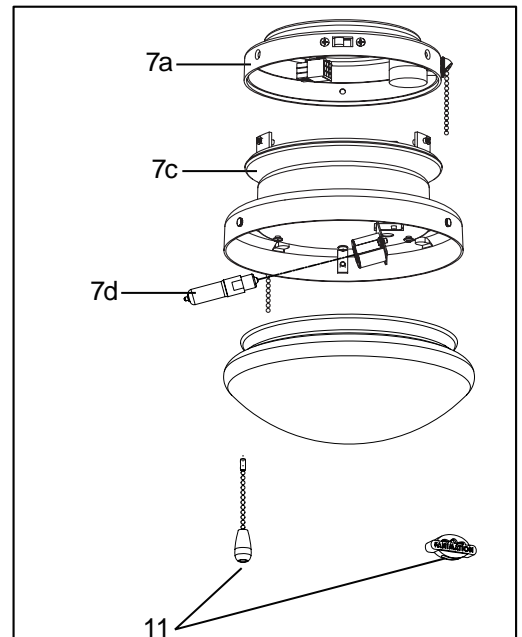
# FP8012\*\* & FP8016\*\* Exploded-View



## FP8012\*\* ONLY



## FP8016\*\* ONLY



**NOTE:** The illustration shown is not to scale or its actual configuration may vary.

# Trouble Shooting

**⚠ WARNING**

**For your own safety turn off power at fuse box or circuit breaker before trouble shooting your fan.**

Trouble	Probable Cause	Suggested Remedy
<b>1. FAN WILL NOT START</b>	1. Fuse or circuit breaker blown.	1. Check main and branch circuit fuses or circuit breakers.
	2. Loose power line connections to the fan, or loose switch wire connections in the switch housing.	2. Check line wire connections to fan and switch wire connections in the switch housings.
	3. Reversing switch in neutral position.	<p style="text-align: center;"><b>CAUTION: Make sure main power is turned off !</b></p> 3. Make sure reversing switch position is all the way to one side.
<b>2. FAN SOUNDS NOISY</b>	1. Blades not attached to fan.	1. Attach blades to fan before operating.
	2. Loose screws in motor housing.	2. Check to make sure all screws in motor housing are snug (not over-tight).
	3. Screws securing fan blade holders to motor flywheel are loose.	3. Check to make sure the screws which attach the fan blade holders to the motor flywheel are tight.
	4. Wire connectors inside housing rattling.	4. Check to make sure wire connectors in switch housing are not rattling against each other or against the interior wall of the switch housing.
	5. Motor noise caused by solid state variable speed control.	<p style="text-align: center;"><b>CAUTION: Make sure main power is turned off !</b></p> 5. Some fan motors are sensitive to signals from solid-state variable speed controls. Solid-state controls are not recommended, choose an alternative control method.
	6. Screws holding blades to blade holders are loose.	6. Tighten screws securely.
	7. Lower housing support set screw loose.	7. Tighten set screw securely.
<b>3. FAN WOBBLER EXCESSIVELY</b>	1. Setscrew in downrod support is loose.	1. Tighten both setscrews securely in downrod support.
	2. Setscrew in downrod/hanger ball assembly is loose.	2. Tighten the setscrew in the downrod/hanger ball assembly.
	3. Screws securing fan blade holders to motor hub are loose.	3. Check to be sure screws which attach the fan blade holders to the flywheel are tight.
	4. Blade holders not seated properly.	4. Check to be sure the fan blade holders seat firmly and uniformly to the surface of the motor housing. If holders are seated incorrectly, loosen the screws and retighten.
	5. Hanger bracket and/or ceiling outlet box is not securely fastened.	5. Tighten the hanger bracket screws to the outlet box, and secure outlet box.
	6. Fan blades out of balance.	6. Interchanging position of fan blades can redistribute the weight and result in a smoother operation. For example, exchange blades in positions 1 and 3 or 1 and 4. If this does not improve wobble, exchange 2 and 3 or 2 and 4.
<b>4. NOT ENOUGH AIR MOVEMENT</b>		1. If possible, consider using a longer downrod. For example, use a 12" downrod instead of the 4.5" downrod that comes with your fan.







10983 Bennett Parkway  
Zionsville, IN 46077  
Toll Free (888) 567-2055

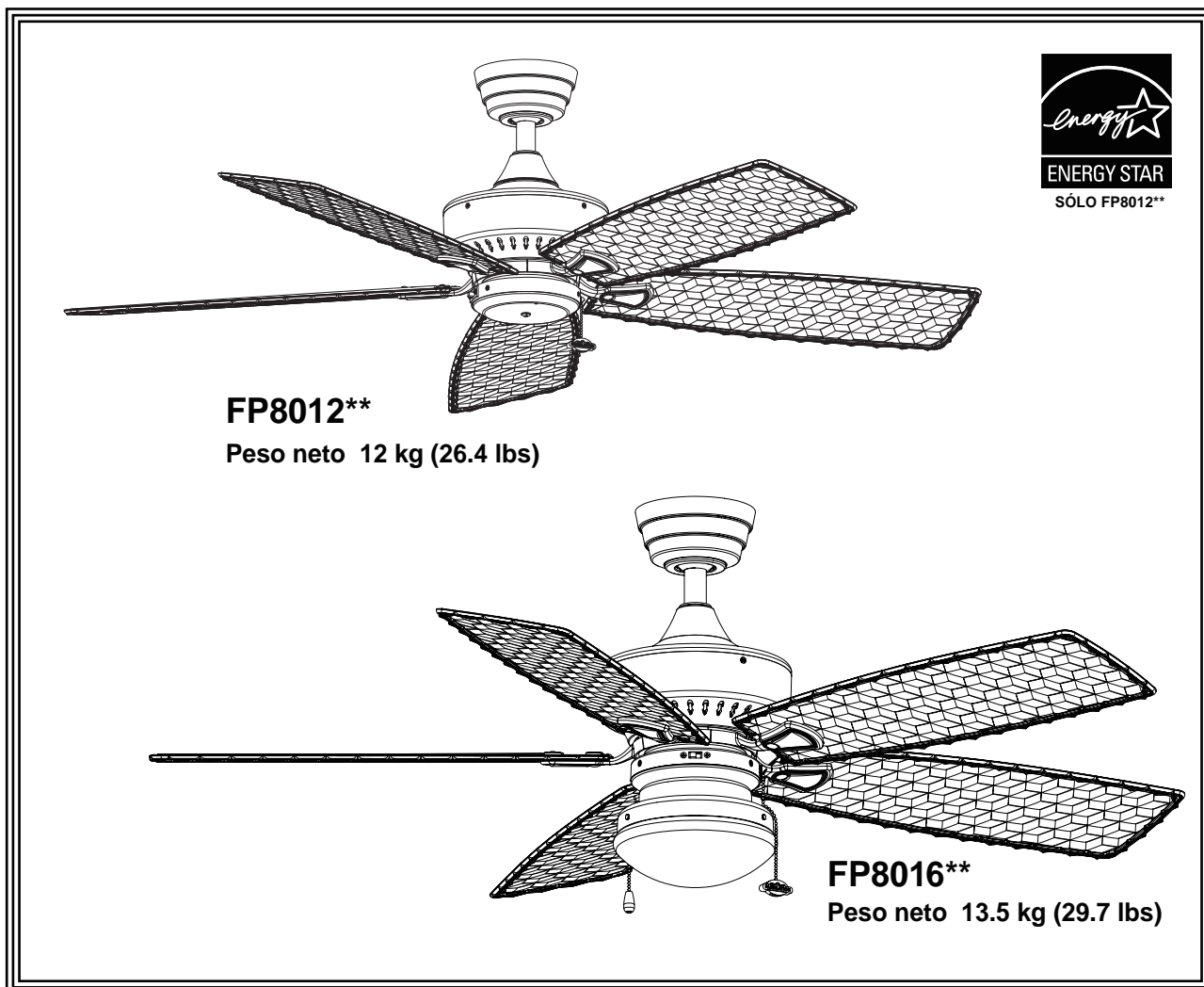
FAX (866) 482-5215

Outside U.S. call (317) 733-4113

Visit Our Website @ [www.fanimation.com](http://www.fanimation.com)

# The Cancun<sup>TM</sup>

## Ventilador de techo



Modelo N.º FP8012\*\* | FP8016\*\*

MANUAL DEL PROPIETARIO  
LEA Y GUARDE ESTAS INSTRUCCIONES

**FANIMATION**<sup>®</sup>  
— CEILING FANS —

## Instrucciones de seguridad importantes

**ADVERTENCIA:** Siga estas instrucciones para prevenir incendios, descargas eléctricas y lesiones personales graves.

1. Lea el manual del propietario y la información de seguridad antes de instalar su nuevo ventilador. Observe los diagramas de ensamblaje adjuntos.
2. Antes de llevar a cabo el mantenimiento o la limpieza de la unidad, desconecte la electricidad en el panel de servicio y bloquee los medios de desconexión del mismo para evitar que se active accidentalmente. Si no se pueden bloquear los medios de desconexión del servicio, coloque un dispositivo de advertencia, como una etiqueta, en el panel de servicio.
3. Tenga cuidado con la estructura y las aspas del ventilador cuando limpie, pinte o trabaje cerca del mismo. Desconecte siempre la electricidad del ventilador de techo antes de llevar a cabo el mantenimiento.
4. No coloque nada en las aspas del ventilador cuando éste se encuentra en funcionamiento.
5. No accione el conmutador inversor hasta que las aspas del ventilador se hayan detenido por completo.

## Instrucciones de seguridad adicionales

1. Para evitar posibles descargas eléctricas, asegúrese de que la electricidad esté desconectada en la caja de fusibles antes de realizar la instalación eléctrica, y no haga funcionar el ventilador sin las aspas.
2. Todos los procedimientos de conexión eléctrica e instalación deben cumplir con los Códigos eléctricos nacionales (ANSI/NFPA 70-1999) y Códigos locales. El ventilador de techo debe estar conectado a tierra a fin de prevenir posibles descargas eléctricas. La instalación eléctrica debe ser llevada a cabo o aprobada por un electricista autorizado.
3. Se debe fijar bien la base del ventilador; ésta debe ser capaz de soportar sin problemas al menos 15,9 kg (35 lb). Consulte la página 18 del manual del propietario para ver los requisitos de soporte. Si tiene dudas, consulte a un electricista calificado.
4. Las aspas del ventilador deben instalarse por lo menos a 2 m (7 pies) del suelo, a fin de evitar un contacto accidental con las mismas.
5. Siga las recomendaciones sobre el método correcto de instalación eléctrica de su ventilador de techo. Si no posee la experiencia o los conocimientos eléctricos adecuados, contrate a un electricista autorizado para instalar el ventilador.
6. Apto para usar lugar húmedo.

**ADVERTENCIA:** PARA REDUCIR EL RIESGO DE DESCARGAS ELÉCTRICAS, ESTE VENTILADOR SE DEBE INSTALAR CON UN CONTROL/INTERRUPTOR DE PARED AISLADO.

**ADVERTENCIA:** Este producto está diseñado para ser usado sólo con las piezas suministradas o los accesorios indicados específicamente para el mismo. Si utiliza piezas o accesorios que no están indicados para su uso con este producto, podría sufrir lesiones personales o dañar el ventilador. **ADVERTENCIA:** Este producto está diseñado para ser usado sólo con las piezas suministradas o los accesorios indicados específicamente para el mismo. Si utiliza piezas o accesorios que no están indicados para su uso con este producto, podría sufrir lesiones personales o dañar el ventilador.

**ADVERTENCIA:** Para reducir el riesgo de lesiones personales, no doble los soportes de las aspas (borde o soporte de aspas) al instalar los soportes, balancear las aspas o limpiar el ventilador. No coloque objetos extraños entre las aspas del ventilador en funcionamiento.

## GARANTÍA LIMITADA DE POR VIDA

Se extiende al comprador original de un ventilador Fanimation

1. GARANTÍA LIMITADA DE POR VIDA DEL MOTOR - Si se produjera una falla en alguna de las partes del motor de su ventilador debido a un defecto en los materiales o en la fabricación durante el tiempo de vida del comprador original, Fanimation proporcionará la pieza de repuesto sin cargo una vez que el ventilador defectuoso sea devuelto a nuestro centro de servicios nacional. Se requiere comprobante de venta. El cliente se hará responsable de todos los gastos de remoción o reinstalación y envío del producto para reparaciones o sustitución.
2. GARANTÍA DE MANO DE OBRA DEL MOTOR POR UN AÑO - Si el motor de su ventilador fallara antes de cumplirse un año a partir del momento de su compra original debido a defectos en los materiales o en la fabricación, se le efectuará la reparación del mismo sin cargo en nuestro centro de servicios nacional. El comprador se hará responsable de los gastos de mano de obra luego del período de un año. El cliente se hará responsable de todos los gastos de remoción o reinstalación y envío del producto para reparaciones o sustitución.
3. Si otra pieza del ventilador fallara dentro del período de un año a partir de la fecha de compra original debido a un defecto en los materiales o en la fabricación, repararemos o sustituiremos, según creamos conveniente, la pieza defectuosa sin cargo alguno en nuestro centro de servicios nacional.
4. Debido a las diversas condiciones climáticas, esta garantía no cubre cambios en la terminación, incluidos oxidación, corrosión, falta de brillo o peladuras.
5. Esta garantía es nula y no se aplica a daños por instalación incorrecta, negligencia, accidentes, uso indebido, exposición al calor o a la humedad en exceso, o como resultado de cualquier modificación realizada al producto original.
6. Todos los gastos de remoción y reinstalación del ventilador son responsabilidad exclusiva del propietario, y no de la tienda que vendió el ventilador ni de Fanimation.
7. Fanimation se reserva el derecho de modificar o discontinuar un producto en cualquier momento, o sustituir cualquier pieza según lo establecido por esta garantía.
8. En ningún caso se podrá devolver un ventilador sin previa autorización por parte de Fanimation. Las devoluciones autorizadas deberán ir acompañadas del recibo de venta y deberán enviarse a Fanimation, previo pago del flete. El ventilador que se devuelva deberá estar embalado en forma adecuada a fin de evitar daños durante el transporte. Fanimation no se hará responsable de los daños que resulten del embalaje incorrecto del producto.
9. Se entiende que las reparaciones y las sustituciones son el único recurso disponible de Fanimation. No existe ninguna otra garantía expresa o implícita. Por la presente, Fanimation niega todas las garantías implícitas, que incluyen, entre otras, la comerciabilidad y la aptitud para determinado fin hasta donde la ley lo permita. Algunos estados no permiten limitaciones sobre las garantías implícitas. Fanimation no se hará responsable por daños accidentales, resultantes o especiales derivados del uso o el rendimiento del producto o en conjunción con éste, excepto en los casos en los que la ley así lo disponga. Esta garantía le otorga derechos legales especiales y es posible que también goce de otros derechos que pueden variar según el estado.
10. Es normal que se produzca un cierto movimiento oscilante y esto no debe considerarse un problema o defecto.

## Tabla de contenidos

Instrucciones para el desempaque .....	19	Unidad de la caja del adaptador del interruptor .....	25
Uso eficiente de la energía en ventiladores de techo .....	20	Unidad del kit de iluminación—SÓLO FP8016OB .....	26
Requisitos eléctricos y estructurales .....	20	Instrucciones de funcionamiento de la cadena de	
Cómo ensamblar el ventilador de techo .....	21	encendido/apagado .....	27
Cómo colgar el ventilador de techo .....	22	Mantenimiento .....	27
Cómo realizar la instalación eléctrica del ventilador de techo .....	23	Lista de piezas .....	28
Instalación de la cubierta del capuchón .....	23	Ilustración del despiece .....	29
Ensamblaje de las aspas del ventilador .....	24	Solución de problemas .....	30

# Este manual está diseñado para facilitar al máximo el ensamblaje, la instalación, el funcionamiento y el mantenimiento de su ventilador de techo.

Herramientas necesarias  
para el ensamblaje

## Materiales

- Destornillador Phillips
- Escalera de tijera
- Destornillador de ¼"
- Pelacables
- Tres conectores de cables (incluidos)

La caja de distribución eléctrica y los conectores de la caja deben ser del tipo requerido por el código local. El cable más pequeño debe ser un cable de tres conductores (de dos conductores con conexión a tierra) del siguiente tamaño:

longitud del cable instalado	tamaño del cable según el A.W.G. (Calibre de Alambre Estadounidense)
hasta 15,2 m (50 pies)	14
de 15,2 a 30,5 m (50 a 100 pies)	12

**NOTA:** coloque las piezas de las bolsas de piezas individuales en un contenedor pequeño para evitar que se extravíen. Si faltan piezas, póngase en contacto con su proveedor local.

### ⚠ ADVERTENCIA

Antes de ensamblar el ventilador de techo, consulte la sección sobre el método correcto de instalación eléctrica del ventilador (página 18). Si siente que no posee la experiencia o los conocimientos eléctricos necesarios, contrate a un electricista autorizado para instalar el ventilador.

## Instrucciones para el desempaque

Para su comodidad, marque cada uno de los pasos. A medida que completa cada paso, coloque una marca de verificación. Con esto se asegurará de completar todos los pasos y podrá saber desde dónde retomar si fuera interrumpido.

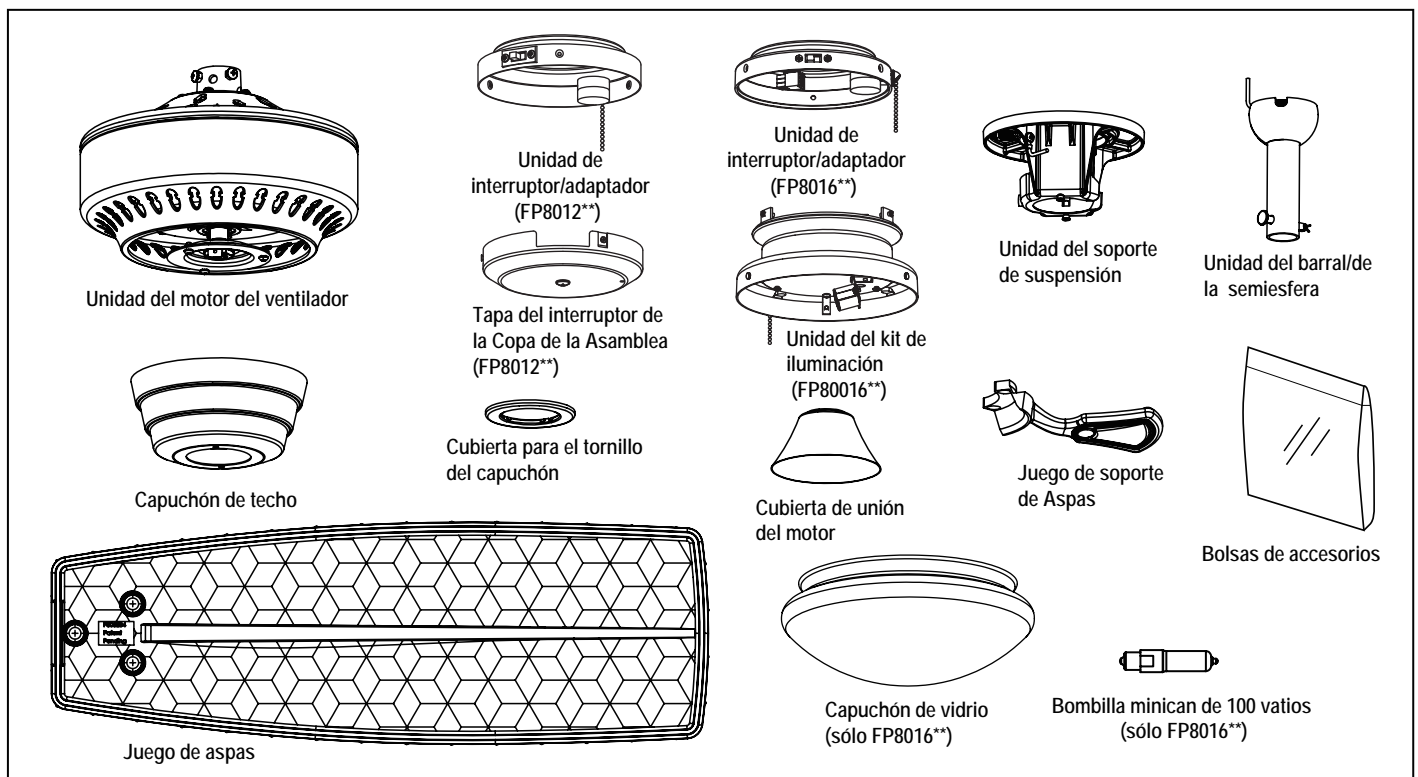
### ⚠ ADVERTENCIA

No instale ni utilice el ventilador si falta alguna pieza o si hay piezas dañadas. Este producto está diseñado para ser usado sólo con las piezas suministradas o los accesorios indicados por Fanimation específicamente para el mismo. La sustitución de piezas o accesorios no designados por Fanimation para usar con este producto podría ocasionar lesiones personales o daños en el ventilador. Póngase en contacto con su tienda si faltan piezas o hay piezas dañadas.

- Unidad del motor del ventilador
- Unidad de interruptor/adaptador
- Unidad del kit de iluminación (FP8016\*\*)
- Tapa del interruptor de la Copa de la Asamblea (FP8012\*\*)
- Unidad del soporte de suspensión
- Unidad del barral/de la semiesfera
- Capuchón de techo
- Cubierta para el tornillo del capuchón
- Cubierta de unión del motor
- Juego de soporte de Aspas
- Juego de aspas
- Capuchón de vidrio (sólo FP8016\*\*)
- Bombilla minican de 100 vatios (sólo FP8016\*\*)
- Bolsas de accesorios:
  - Tornillos Phillips de ¼" –20 x 14 mm con arandelas de seguridad (soporte de aspas a buje del motor)
  - Tornillos con cabeza de arandela de 3/16-24 x 7,5 mm (aspa a soporte de aspas)
  - Arandelas de fibra
  - Destornillador Phillips de 4½"
  - Cuatro conectores de cables
  - Acoplador de cadena/cadena
  - Kit de balanceo
  - Unidad de kit de cadena de encendido/apagado. Kit de iluminación (sólo FP8016\*\*)
  - Tornillos para cajas de conexiones de 8-32x19 mm
  - Arandela plana de Ø12 x Ø5 x1 mm, acero inoxidable

1. Verifique que haya recibido las siguientes piezas:

**NOTA:** Si no está seguro de la descripción de una pieza, consulte la ilustración del despiece. (Figura 1, página 28)



# Uso eficiente de la energía en ventiladores de techo

El nivel de rendimiento y ahorro de energía de los ventiladores de techo dependen de su correcta instalación y uso. A continuación le presentamos algunas sugerencias para asegurar un rendimiento eficiente del producto.

## Selección del lugar de montaje adecuado

Los ventiladores de techo se deben instalar en el centro de la habitación, a 2 m (7 pies) de altura del piso como mínimo y 0,5 m (18 pulgadas) de las paredes. Si la altura del techo lo permite, instale el ventilador a 2,5 m (8-9 pies) por encima del suelo para un flujo de aire óptimo. Consulte en su tienda minorista de Fanimation para obtener accesorios de montaje opcionales.

## Apague el ventilador cuando no se encuentre en la habitación

Los ventiladores son para refrescar a la gente, no a las habitaciones. Si la habitación está vacía, apague el ventilador de techo para ahorrar energía.

## Uso del ventilador de techo todo el año

**En verano:** Use el ventilador de techo en sentido contrario a las agujas del reloj. El flujo de aire que produce el ventilador creará un efecto frío del aire que lo refrescará más. Seleccione una velocidad que le proporcione una brisa confortable. Las velocidades más bajas consumen menos energía.

**En invierno:** Invierta el motor y haga funcionar el ventilador de techo a velocidad baja y en el sentido de las agujas del reloj. Esto produce una suave corriente ascendente, que obliga al aire cálido que se acumula cerca del techo a bajar al espacio ocupado. No olvide ajustar el termostato cuando utilice el ventilador de techo. Con este sencillo paso puede ahorrar energía adicional y dinero.

## Requisitos eléctricos y estructurales

Su nuevo ventilador de techo requiere una línea de suministro eléctrico con conexión a tierra de 120 voltios de CA, 60 Hz, circuito de 15 amperios. La caja de distribución eléctrica debe estar bien asegurada y debe ser capaz de soportar una carga de, al menos, 15,9 kg (35 lb). La Figura 1 muestra diversas configuraciones estructurales que podrían utilizarse para montar la caja de distribución eléctrica.

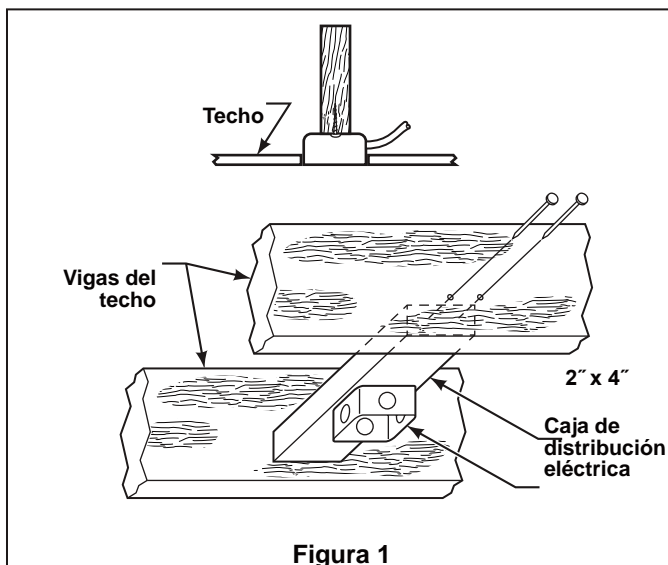
### ⚠ ADVERTENCIA

Para reducir el riesgo de incendios, descargas eléctricas o lesiones personales, fije el ventilador a la caja de distribución eléctrica marcada como aceptable para soporte de ventilador de 15,9 kg (35 lb) o menos. Utilice los tornillos suministrados con la caja de distribución eléctrica. La mayoría de las cajas de distribución eléctrica que comúnmente se utilizan como soporte de lámparas no son aptas para soporte de ventiladores y es posible que deban reemplazarse. Consulte a un electricista calificado si tiene dudas.

Si el ventilador reemplazará a una lámpara existente, desconecte la electricidad de la caja de fusibles principal y retire la lámpara.

### ⚠ ADVERTENCIA

Apagar el interruptor de pared no es suficiente. Para evitar posibles descargas eléctricas, asegúrese de que la electricidad esté desconectada en la caja de fusibles principal antes de realizar la instalación eléctrica. Toda instalación eléctrica debe cumplir con los códigos nacionales y locales y el ventilador de techo debe tener la conexión a tierra adecuada como forma de precaución ante posibles descargas eléctricas.

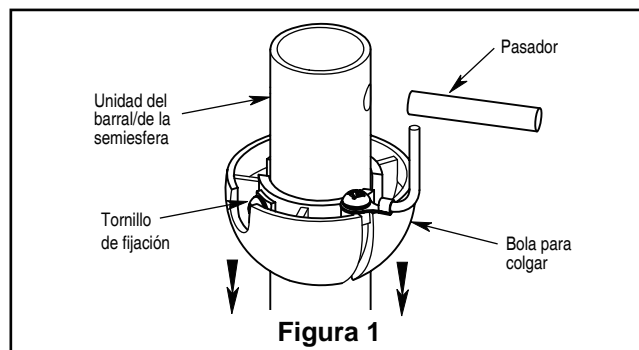


### ⚠ ADVERTENCIA

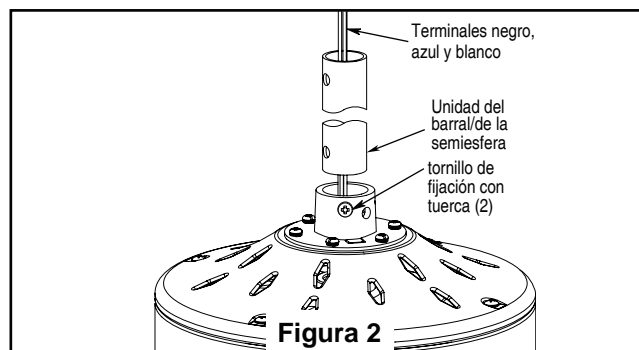
A fin de evitar incendios o descargas eléctricas, siga con cuidado todas las instrucciones de instalación eléctrica. Cualquier trabajo eléctrico que no se describa en estas instrucciones deberá ser realizado o aprobado por un electricista autorizado.

# Cómo ensamblar el ventilador de techo

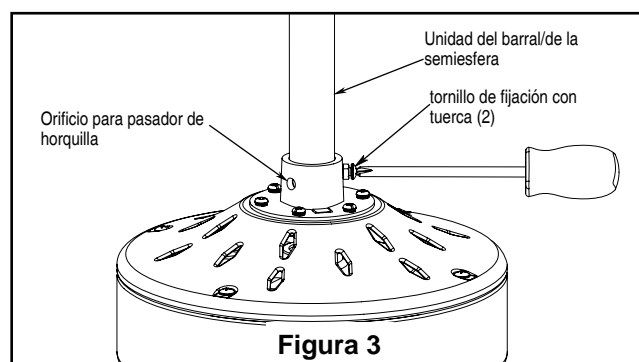
1. Retire la parte correspondiente a la bola para colgar del ensamble de la bola para colgar/varilla aflojando el tornillo de fijación de la bola hasta que ésta salga libremente de la varilla. Retire el pasador de la varilla y luego retire la bola para colgar. Guarde el pasador y la bola para colgar a fin de colocarlos nuevamente en el Paso 4. (Figura. 1)



2. Afloje los dos tornillos de fijación del soporte de la varilla del ensamble del motor. Pase los cables negro, blanco y azul a través de la varilla. (Figura. 2)



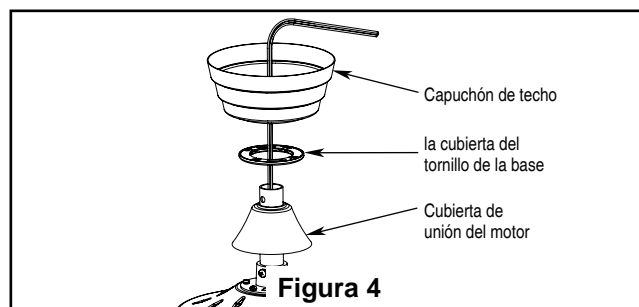
3. Deslice el barral por el soporte del barral en la parte superior del motor. Instale el pasador alineando los orificios del soporte del barral con los orificios del barral. Fije el pasador con el pasador de horquilla. Apriete los dos tornillos de fijación con tuercas en el soporte del barral. (Figura 3)



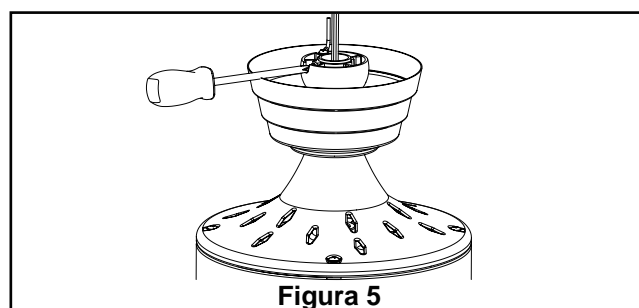
## ⚠ ADVERTENCIA

Es fundamental que instale correctamente el pasador de horquilla en el soporte de la varilla, y que ajuste firmemente los tornillos de fijación y las tuercas. El incumplimiento de dicho paso podría hacer que el ventilador se caiga.

4. Pase los cables a través de la cubierta del acoplador del motor, la cubierta del tornillo de la base y la base. (Figura 4)



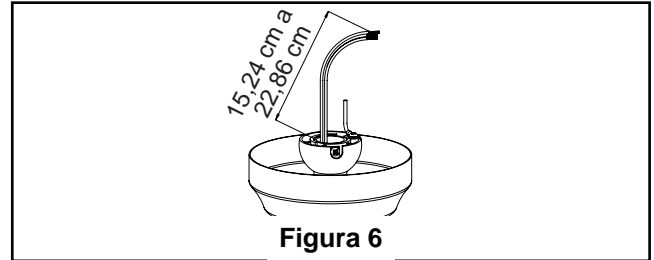
5. Vuelva a instalar la bola para colgar en la varilla como se indica. Pase los tres cables de 137,16 cm de largo por la bola para colgar. Coloque el pasador a través de los dos orificios de la varilla y alinee la bola para colgar de manera tal que el pasador quede inserto en la ranura de la parte superior de la bola. Sujete la bola para colgar firmemente al pasador. Ajuste bien el tornillo de fijación a la bola para colgar. Un tornillo de fijación flojo podría hacer que el ventilador se tambalee. (Figura. 5)



## Cómo ensamblar el ventilador de techo (Cont.)

6. Corte el excedente del cable conductor aproximadamente unos 15,24 cm a 22,86 cm por sobre la parte superior de la varilla. Pele 1,27 cm del aislamiento del extremo de cada cable conductor. (Figura. 6)

**NOTA:** Se deben revisar todos los tornillos de fijación y volver a ajustarlos cuando sea necesario antes de realizar la instalación.



## Cómo colgar el ventilador de techo

### ⚠ ADVERTENCIA

Para evitar una posible descarga eléctrica, asegúrese de cortar la alimentación eléctrica de la caja de fusibles principal antes de colgar el ventilador. (Figura 7)

**NOTA:** Si no está seguro de si la caja de salida tiene conexión a tierra, pida consejo a un electricista certificado, ya que debe tener conexión a tierra para un funcionamiento seguro.

### ⚠ ADVERTENCIA

Debe colgar el ventilador a una distancia mínima de 2,13 m desde las aspas hasta el piso. (Figura. 8)

1. Fije bien la abrazadera para colgar a la caja de salida con los tornillos y las arandelas provistas con la caja de salida. (Figura. 9)

### ⚠ ADVERTENCIA

La caja de salida debe estar bien asegurada. La abrazadera para colgar debe estar bien asentada contra la caja de salida. Si la caja de salida está empotrada, retire el panel hasta que la abrazadera haga contacto con la caja. Si la abrazadera y/o la caja de salida no están bien aseguradas, el ventilador podría tambalearse o caerse.

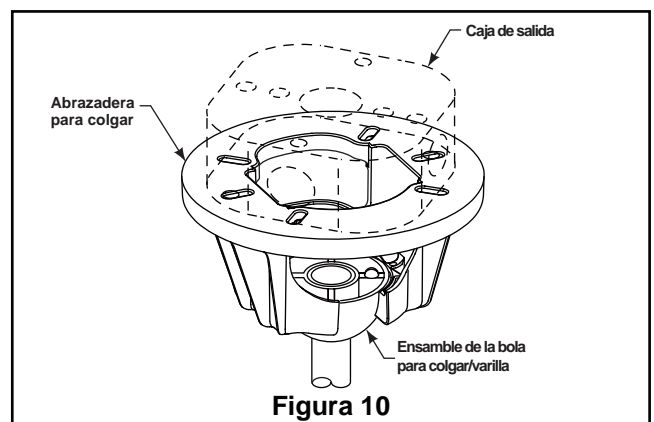
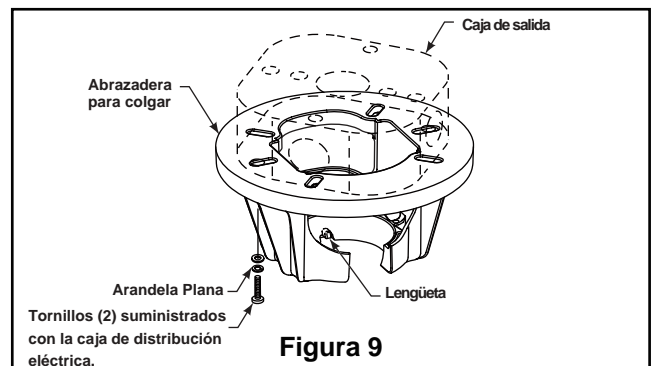
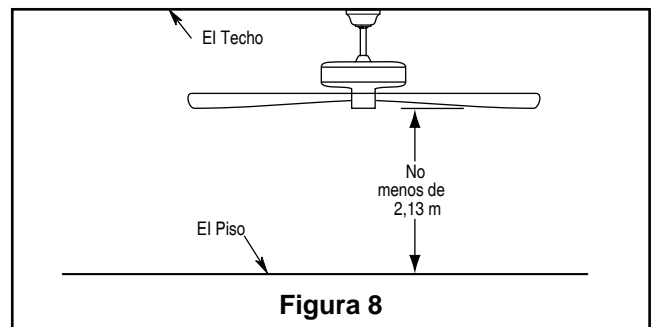
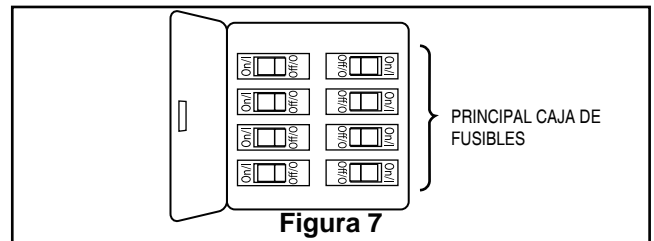
2. Levante cuidadosamente el ventilador y coloque el ensamble de la bola para colgar/varilla en la abrazadera para colgar que acaba de fijar a la caja de salida. Asegúrese de que la ranura de la bola esté alineada con la lengüeta de la abrazadera para colgar. (Figura. 10)

### ⚠ ADVERTENCIA

Si no coloca la lengüeta en la ranura, podrían dañarse los cables eléctricos y podrían ocurrir incendios o descargas eléctricas.

### ⚠ ADVERTENCIA

Para evitar una posible descarga eléctrica, no apriete los cables entre el ensamble de la bola para colgar y la abrazadera para colgar.

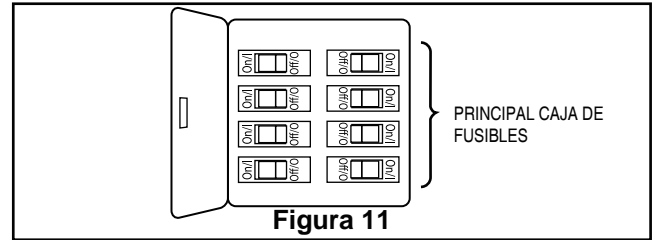




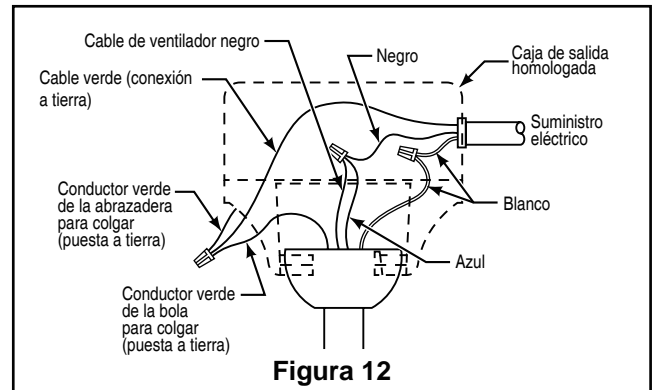
# Cómo realizar la instalación eléctrica del ventilador de techo

## **⚠ ADVERTENCIA**

**Para evitar una posible descarga eléctrica, asegúrese de cortar la alimentación eléctrica de la caja de fusibles principal antes de colgar el ventilador. (Figura 11)**



1. Conecte el conductor verde con conexión a tierra de la bola para colgar y el conductor verde con conexión a tierra de la abrazadera para colgar al conductor de suministro con conexión a tierra (posiblemente un conductor desnudo o un cable con aislante verde). Conecte los cables a los conectores provistos de forma segura. Conecte el conductor blanco. (Figura 12)
2. provistos de forma segura. Conecte el conductor blanco del motor del ventilador al conductor blanco (neutro) mediante el conector provisto de forma segura. Conecte el conductor negro del motor del ventilador y el conector azul al conductor negro mediante el conector provisto de forma segura. (Figura 12)



3. Luego de empalmar los cables y realizar la conexión, sepárelos y dóblelos hacia arriba con el conductor con conexión a tierra y el conductor con conexión a tierra del equipo debe ir en un lado de la caja de distribución eléctrica y el conductor sin conexión a tierra debe ir del otro lado. (Figura 13)

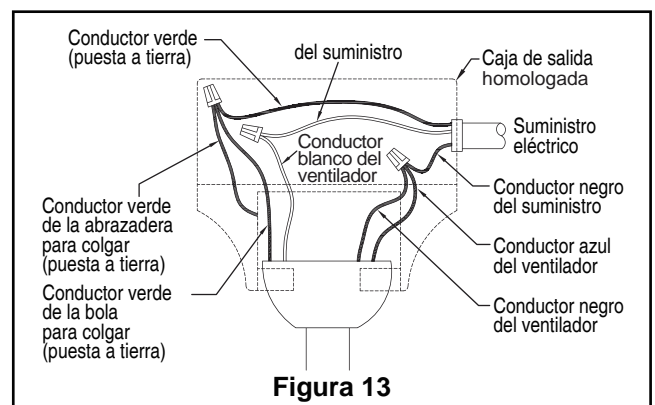
## Aditamentos utilizados:

Conectores de cable X 3



## **⚠ ADVERTENCIA**

**Verifique que todas las conexiones estén ajustadas, incluída la conexión a tierra, y que no haya conductores desnudos visibles en los conectores, excepto el conductor con conexión a tierra. No opere el ventilador hasta que las aspas estén instaladas. Podría ocasionar ruidos y daños al motor.**

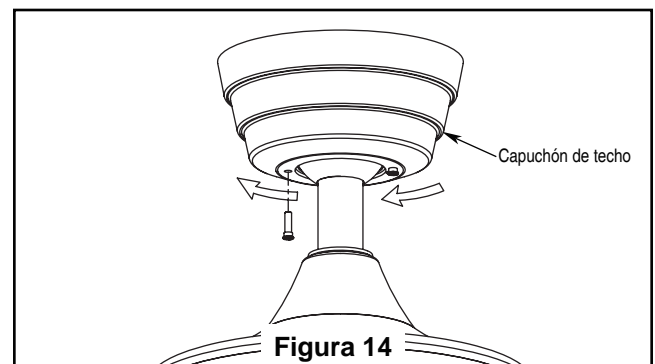


## Instalación de la cubierta del capuchón

1. Retire uno de los dos tornillos de reborde de la abrazadera para colgar. Afloje el segundo tornillo de reborde sin retirarlo del todo. Ensamble la base girando el chavetero de la base sobre el tornillo de reborde de la abrazadera para colgar. Ajuste el tornillo de reborde. Ensamble por completo el segundo tornillo de reborde que antes había retirado y ajústelo. (Figura 14)

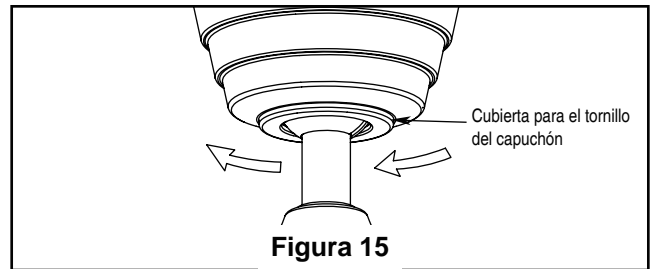
## **⚠ ADVERTENCIA**

**Para evitar una posible descarga eléctrica o incendio, asegúrese de colocar los cables eléctricos completamente dentro de la carcasa de la base, y de no apretarlos entre la carcasa y el techo.**



## Instalación de la cubierta del capuchón (Cont.)

2. Coloque y ajuste firmemente la cubierta para el tornillo de la base sobre los tornillos de reborde de la abrazadera para colgar mediante el mecanismo de seguro por giro del chavetero. (Figura 15)

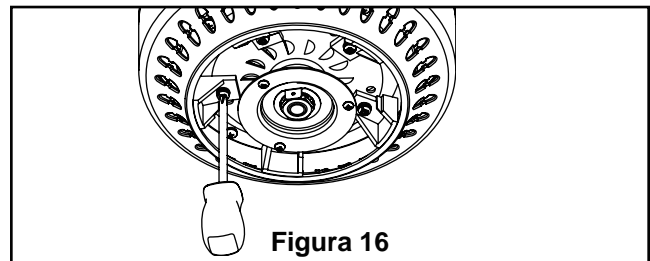


## Ensamblaje de las aspas del ventilador

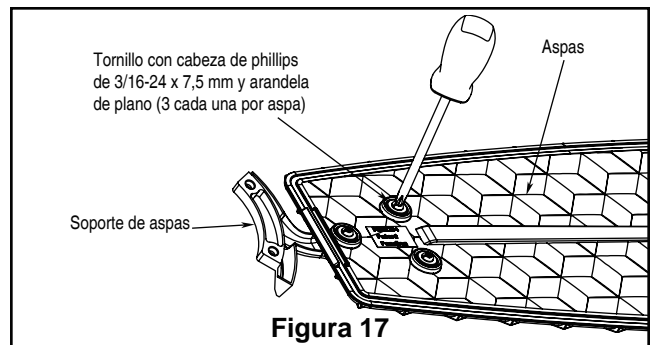
1. Retire y deseche los cinco toques de goma del motor del ensamble del motor quitando los tornillos. (Figura. 16)

### **⚠ PRECAUCIÓN**

No coloque las aspas del ventilador hasta que el ventilador esté completamente instalado. Instalar el ventilador con las aspas ensambladas podría ocasionar daños a las aspas del ventilador.



2. Coloque las aspas sobre sus soportes con los postes roscados que se muestran. Asegúrese de que el borde inferior del asa esté completamente asentado sobre el brazo del asa. Con un destornillador Phillips, ajuste los tornillos con cabeza de arandela de 3/16-24 x 7,5 mm junto con las phillips de plano para asegurar las aspas a los brazos del asa. (Figura. 17)



### Aditamentos utilizados:

Tornillos con cabeza de phillips de 3/16-24 x 7.5) X 15

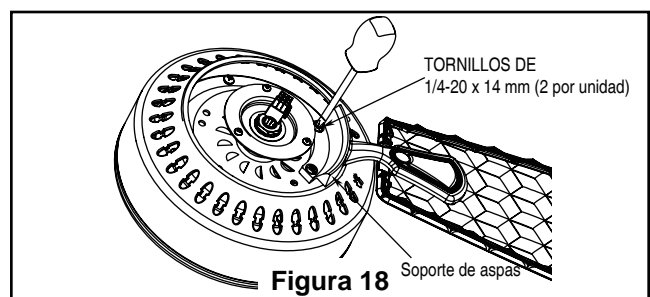
Arandelas de plano X 15

3. Fije los soportes de las aspas al eje del motor con los tornillos de 1/4-20 x 14 mm. (Figura 18)

*NOTA: Periódicamente verifique los aditamentos de los soportes de las aspas y vuelva a asegurarlos si es necesario.*

### **⚠ PRECAUCIÓN**

Para reducir el riesgo de lesiones personales, no doble los soportes de las aspas al instalarlos, equilibrar las aspas o limpiar el ventilador. No introduzca objetos extraños entre las aspas en movimiento.

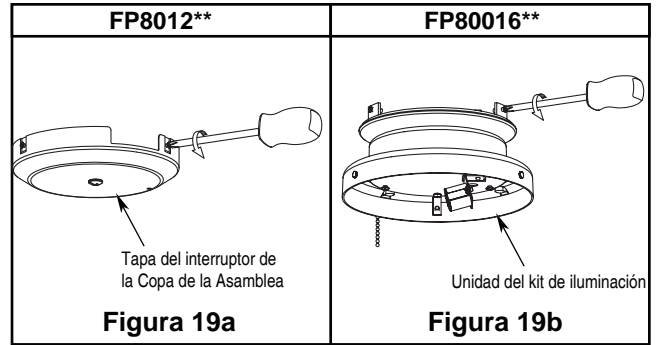


### Aditamentos utilizados:

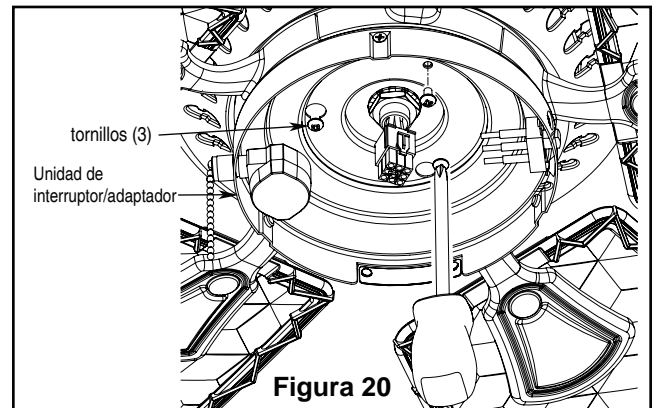
Tornillos Phillips de 1/4-20 x 14 X 10

# Unidad de la caja del adaptador del interruptor

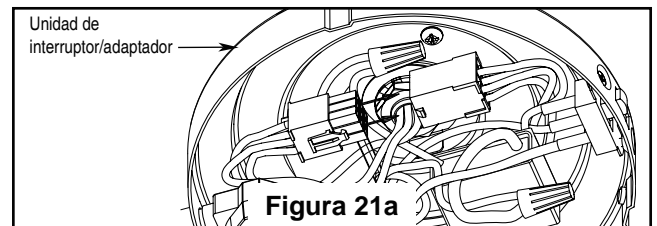
- 1a. Retire los tres tornillos de montaje de la taza cubierta de interruptor. (Figura 19a)
- 1b. Retire los tres tornillos de al montaje del kit de luz. (Figura 19b)



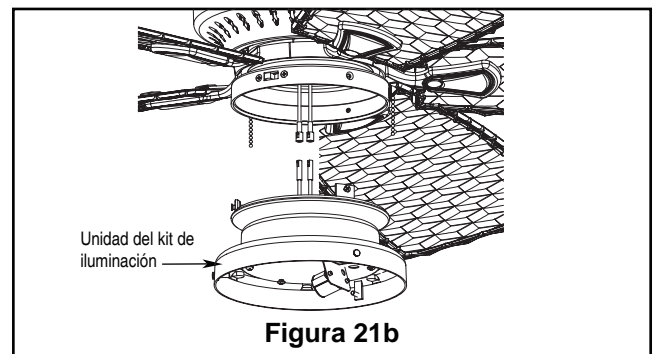
- 2. Retire uno de los tres tornillos del soporte. Afloje ligeramente los dos tornillos restantes. Ensamble la unidad de la caja del adaptador del interruptor en el soporte de la caja mediante las dos ranuras en la unidad del adaptador. Reemplace el tercer tornillo y ajuste bien los tres tornillos. (Figura 20)



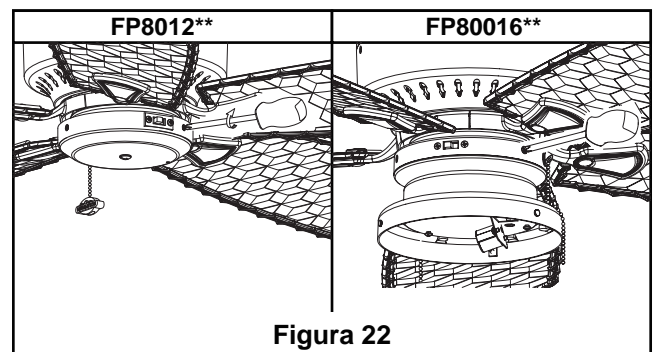
- 3a. Ajuste firmemente la caja del interruptor de 9 pasadores al enchufe del mazo de cables dentro de la unidad de la caja del adaptador del interruptor. (Figura 21a)



- 3b. <<SÓLO FP8016\*\*>> Conecte el conector de 2 pasadores desde la unidad del kit de iluminación al conector de 2 pasadores desde la unidad del motor. (Figura 21b)



- 4. Instale el soporte del interruptor de la carcasa en el adaptador ensamblado mediante los tres tornillos que quitó en el Paso 1 de la página anterior.



## Unidad del kit de iluminación—SÓLO FP80160B

1. Instale la bombilla minican incluida en el portalámparas. (Figura 23)

### **⚠ PRECAUCIÓN**

La bombilla está presurizada y puede quebrarse. **NO TOQUE LA BOMBILLA CON LAS MANOS DESPROTEGIDAS.** Las huellas dactilares en la bombilla pueden reducir la vida útil de la misma. Elimine las huellas dactilares con alcohol antes de usar la bombilla. Para disminuir el riesgo de incendios, utilice una bombilla minican tipo T4 JD E11 de tungsteno halógena de 100 vatios como máximo. Apague el interruptor de pared y deje enfriar la bombilla durante 10 minutos antes de sustituirla.

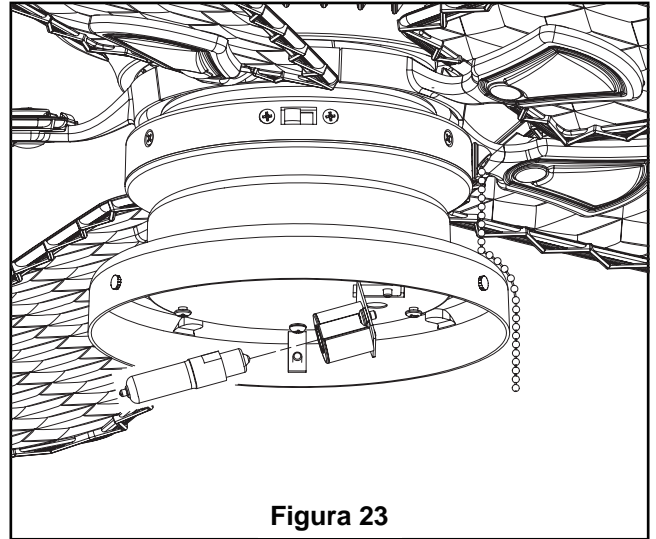


Figura 23

2. Suelte los tres tornillos de mariposa proporcionados en el aro del kit de iluminación, de forma que el borde del vidrio se pueda levantar en el kit de iluminación. (Figura 24)

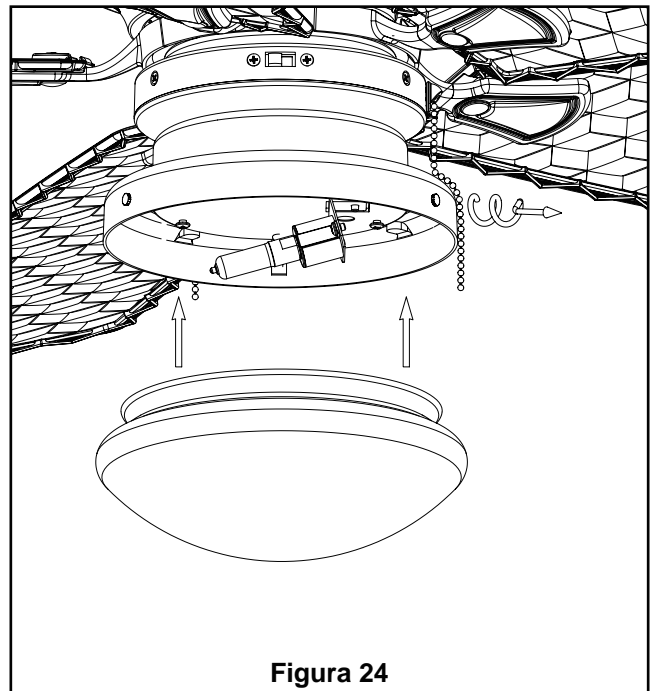


Figura 24

3. Instale los acopladores y las cadenas de encendido/apagado. (Figura 25)

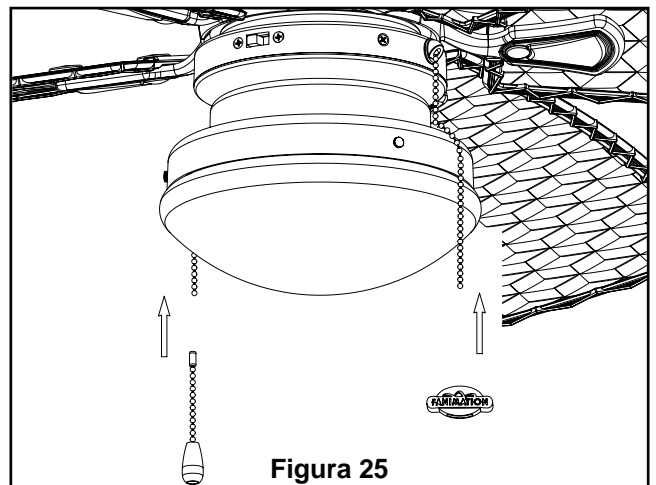
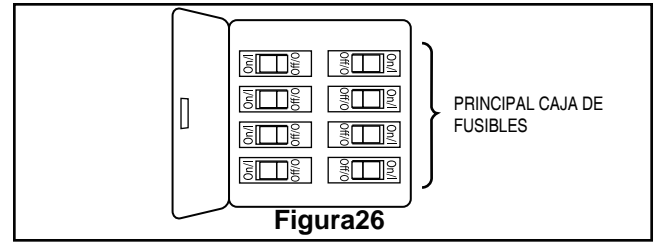


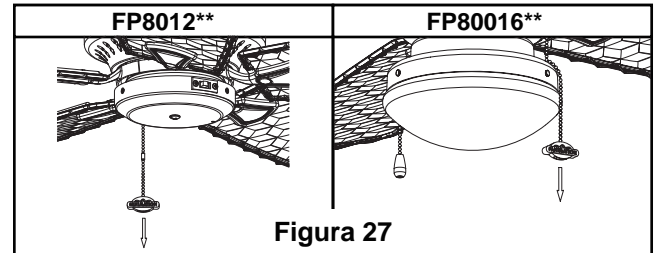
Figura 25

# Instrucciones de funcionamiento de la cadena de encendido/apagado

1. Restablezca la alimentación eléctrica en la caja de salida volviendo a conectar la electricidad de la caja de fusibles principal. (Figura 26)

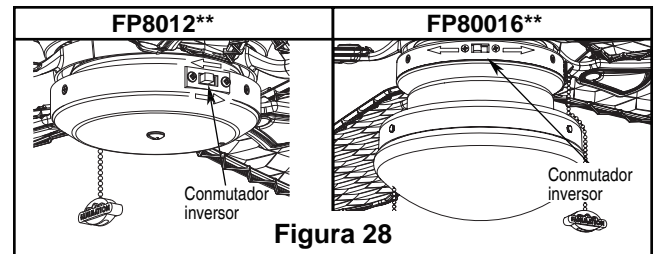


2. Verifique el funcionamiento del ventilador tirando levemente de la cadena de encendido/apagado para el control de la velocidad. (Figura 27)



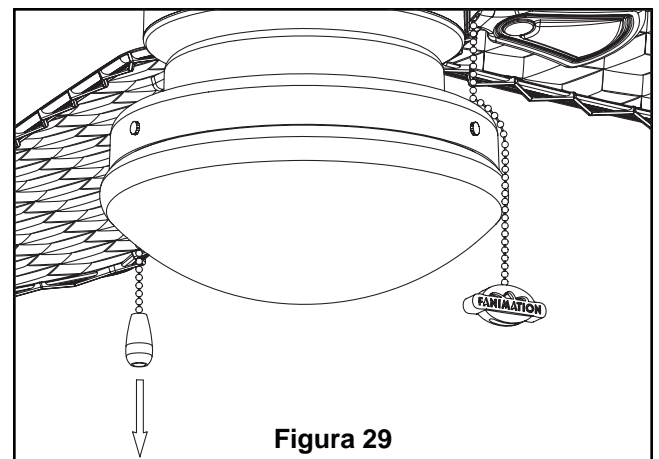
Secuencia de funcionamiento de la cadena del tirador	
1.ª tirada	Alta
2.ª tirada	Media
3.ª tirada	Baja
4.ª tirada	Apagado

3. Si desea que el flujo de aire se desplace en la dirección opuesta, apague el ventilador y espere a que las aspas se detengan. Luego deslice el conmutador inversor a la posición contraria y vuelva a encender el ventilador. Su modelo de ventilador está equipado con un interruptor de cadena de 4 posiciones y 3 velocidades. (Figura 28)



Información sobre el interruptor de reversa		
Temporada	Dirección de rotación	Posición del interruptor
Verano	En dirección contraria a las manecillas del reloj	Derecha
Invierno	En dirección de las manecillas del reloj	Izquierda

4. <<SÓLO FP8016\*\*>> comprobar el funcionamiento de la luz hacia abajo tirando suavemente de la cadena del tirón luz. (Figura 29)



## Mantenimiento

El único mantenimiento necesario para el ventilador de techo es una limpieza periódica.

Al llevar a cabo la limpieza, use sólo un cepillo suave o un paño sin pelusas, para evitar rayar el acabado.

No se requieren agentes abrasivos de limpieza; los mismos deben evitarse para prevenir daños en el acabado.

### PRECAUCIÓN

**No utilice solventes para limpiar el ventilador de techo. Podrían dañar el motor o las aspas y ocasionar posibles descargas eléctricas.**

## Lista de piezas

### Modelos N.º P8012\*\* & FP8016\*\*

N.º de Ref.	Descripción	FP8012** Pieza # N.º	FP8016** Pieza # N.º
1	Unidad del soporte de suspensión	AP255BL	AP255BL
2	Unidad del barral/de la semiesfera:	ADR1-45**	ADR1-45**
3	Capuchón de techo	P801201**	P801201**
4	Cubierta para el tornillo del capuchón	AP260**	AP260**
5	Cubierta de unión del motor	AP801202**	AP801202**
6	Unidad del motor del ventilador	AMA8012**	AMA8016**
7a	Unidad de interruptor/adaptador	AP801209**	AP801604**
7b	Tapa del interruptor de la Copa de la Asamblea	AP801210**	—
7c	Unidad del kit de iluminación	—	AP801605**
7d	Bombilla	—	PPE11B100
8	Juego de aspas	AP805204**	AP805204**
9	Juego de soporte de Aspas	AP800903**	AP800903**
10	Capuchón de vidrio — Ópalo esmerilado	—	P801603OP
11	Bolsa de accesorios	HDWFP8012**	HDWFP8016**
	Bolsa de accesorios suelta:		
	<i>Kit de balanceo (BALKT)</i>		
	<i>Acoplador de cadena</i>		
	<i>Cadena</i>		
	<i>conectores de cables (4)</i>		
	<i>Kit de cadena de encendido/apagado— Luz (sólo FP8016OB)</i>		
	<i>Tornillos para cajas de conexiones de 8-32x19 mm (2)</i>		
	<i>Arandela plana de Ø 12 x Ø5 x1 mm, acero inoxidable (2)</i>		
	Bolsa de accesorios para el montaje de los soportes de aspas:		
	<i>Tornillos Phillips de ¼" –20 x 14 mm con arandelas de seguridad (11 piezas)</i>		
	Bolsa de accesorios para el montaje de aspas:		
	<i>tornillos con cabeza de phillips de 3/16-24 x 7,5 mm y arandelas de plano (16 piezas)</i>		
	<i>Arandelas de plano</i>		
<i>Destornillador Phillips de 4½"</i>			

**Antes de desechar los materiales de embalaje, asegúrese de haber extraído todas las piezas**

#### Cómo hacer un pedido de piezas

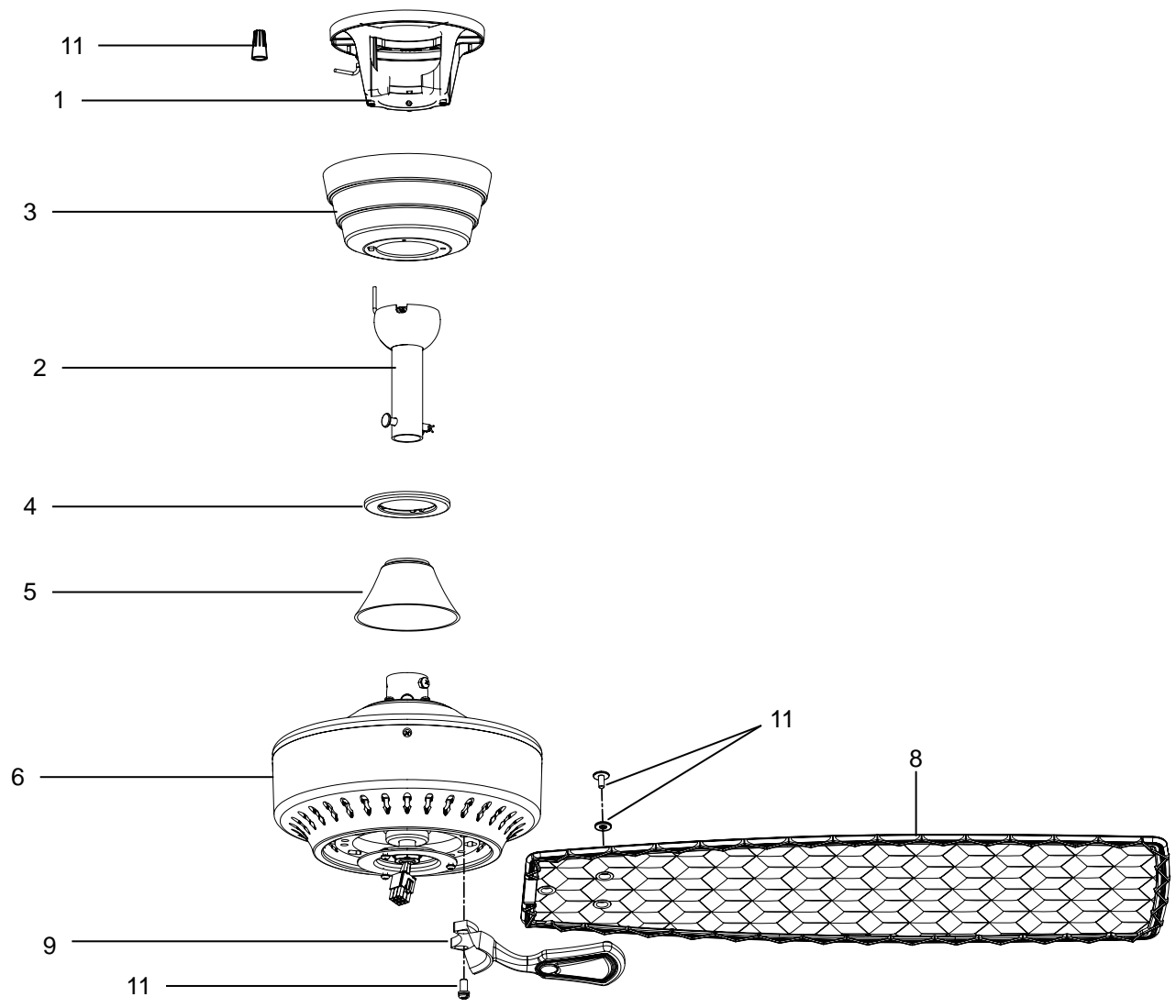
Al hacer un pedido de piezas de repuesto, proporcione siempre la siguiente información:

- Número de pieza
- Descripción de la pieza
- Número de modelo del ventilador

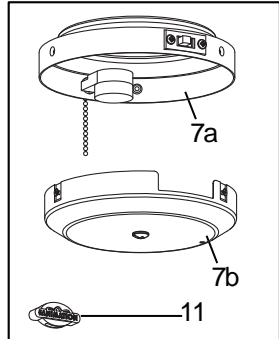
Póngase en contacto con su tienda para obtener las piezas de repuesto.



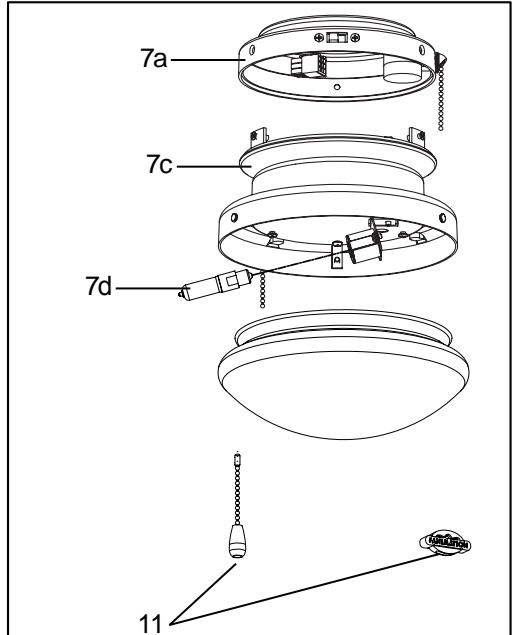
# FP8012\*\* & FP8016\*\* Despiece



## SÓLO FP8012\*\*



## SÓLO FP8016\*\*



**NOTA:** la ilustración que se muestra no está hecha a escala y su configuración real puede variar.



# Solución de problemas

## ⚠ ADVERTENCIA

Para su propia seguridad, desconecte la electricidad de la caja de fusibles o disyuntor antes de solucionar problemas en su ventilador.

Problema	Causa posible	Solución sugerida
<b>1. EL VENTILADOR NO ARRANCA</b>	<ol style="list-style-type: none"> <li>1. El fusible o el disyuntor están fundidos.</li> <li>2. Las conexiones eléctricas del ventilador o del interruptor en la caja del interruptor están flojas.</li> <li>3. El conmutador inversor se encuentra en posición neutra.</li> </ol>	<ol style="list-style-type: none"> <li>1. Revise los fusibles del circuito principal y derivado o los disyuntores.</li> <li>2. Revise las conexiones eléctricas del ventilador y del interruptor en las cajas de los interruptores.</li> </ol> <p><b>PRECAUCIÓN: Asegúrese de que el suministro principal de electricidad esté desconectado.</b></p> <ol style="list-style-type: none"> <li>3. Asegúrese de que el conmutador inversor esté completamente hacia un lado.</li> </ol>
<b>2. EL VENTILADOR HACE RUIDO</b>	<ol style="list-style-type: none"> <li>1. Las aspas no están sujetas al ventilador.</li> <li>2. Hay tornillos flojos en la caja del motor.</li> <li>3. Los tornillos que aseguran los soportes de las aspas al volante del motor están flojos.</li> <li>4. Los conectores de cables dentro de la caja hacen ruido.</li> <li>5. Ruido del motor provocado por el control de velocidad de estado sólido variable.</li> <li>6. Las tuercas de fijación que sujetan las aspas a los soportes de aspas están flojas.</li> <li>7. El tornillo del soporte de la cubierta inferior está flojo.</li> </ol>	<ol style="list-style-type: none"> <li>1. Ajuste las aspas al ventilador antes de ponerlo en funcionamiento.</li> <li>2. Asegúrese de que todos los tornillos de la caja del motor estén bien ajustados (pero no en exceso).</li> <li>3. Asegúrese de que los tornillos que fijan los soportes de aspas al volante del motor estén bien ajustados.</li> <li>4. Asegúrese de que los conectores de cables en la caja del interruptor no produzcan ruido al rozar unos con otros o al rozar la pared interior de la caja del interruptor.</li> </ol> <p><b>PRECAUCIÓN: Asegúrese de que el suministro principal de electricidad esté desconectado.</b></p> <ol style="list-style-type: none"> <li>5. Algunos motores de ventilador son sensibles a las señales de los controles de velocidad de estado sólido variables. Los controles de estado sólido no son recomendables. Escoja un método de control alternativo.</li> <li>6. Ajuste bien las tuercas de fijación.</li> <li>7. Asegure bien los tornillos de fijación</li> </ol>
<b>8. EL VENTILADOR OSCILA EN EXCESO</b>	<ol style="list-style-type: none"> <li>1. El tornillo de fijación del soporte de barral está flojo.</li> <li>2. El tornillo de fijación en la unidad del barral/de la semiesfera está flojo.</li> <li>3. Los tornillos que aseguran los soportes de las aspas al buje del motor están flojos.</li> <li>4. Los soportes de aspas no están colocados correctamente.</li> <li>5. El soporte de suspensión o la caja de distribución eléctrica del techo no están bien asegurados.</li> <li>6. Las aspas del ventilador están desbalanceadas.</li> </ol>	<ol style="list-style-type: none"> <li>1. Ajuste bien los dos tornillos de fijación en el soporte de barral.</li> <li>2. Ajuste el tornillo de fijación en la unidad del barral/de la semiesfera.</li> <li>3. Asegúrese de que los tornillos que fijan los soportes de aspas al volante del motor del ventilador estén bien ajustados.</li> <li>4. Asegúrese de que los soportes de las aspas del ventilador estén colocados firmemente y de manera uniforme en relación con la superficie de la caja del motor. Si los soportes están mal colocados, afloje los tornillos y vuelva a ajustarlos.</li> <li>5. Ajuste los tornillos del soporte de suspensión de la caja de distribución eléctrica y asegúrela.</li> <li>6. Al intercambiar la posición de las aspas, puede redistribuir el peso y hacer que el ventilador funcione más suavemente. Por ejemplo, intercambie las aspas en las posiciones 1 y 3, o 1 y 4. Si esto no mejora el nivel de oscilación, intercambie la 2 por la 3, o la 2 por la 4.</li> </ol>
<b>7. NO HAY SUFICIENTE MOVIMIENTO DE AIRE</b>		<ol style="list-style-type: none"> <li>1. Si es posible, considere el uso de un barral más largo. Por ejemplo, use un barral de 30,5 cm (12") en lugar del barral de 15 cm (6") que viene con el ventilador.</li> </ol>





10983 Bennett Parkway  
Zionsville, IN 46077  
Llame Sin Cargo al (888) 567-2055  
FAX (866) 482-5215

Desde fuera de los EE.UU. llame al (317) 733-4113  
Visite nuestro sitio Web en [www.fanimation.com](http://www.fanimation.com)