



## Home Comfort

FFTH1222R2

### Through-The-Wall Air Conditioner/Heater



### Signature Features

#### Effortless™ Temperature Control

Our air conditioners maintain the preset room temperature, so you will remain comfortable at all times.

#### Programmable 24-Hour On/Off Timer

With the 24-Hour On/Off Timer, you can ensure your home will be cool and comfortable when you want it to be without having to worry about running up your utility bills. The built-in timer allows you to preset the unit to turn on and off in half-hour increments.

#### Energy Saver Mode

Reduce your utility bills in this mode. It cools similarly to central air, with the unit turning on and off at different intervals to ensure the room temperature stays at the set temperature.

#### Multi-Speed Fan

Features three different fan speeds, for more cooling flexibility.

#### Product Dimensions

|        |         |
|--------|---------|
| Height | 14-1/2" |
| Width  | 24"     |
| Depth  | 20-1/2" |

#### More Easy-To-Use Features

##### Supplemental Heating Option

With our supplemental heating capability, you can be comfortable regardless of the temperature outside — you have both heating and cooling solutions!

##### Sleep Mode

With Sleep Mode, the temperature gradually increases a few degrees over the evening, saving energy and creating a comfortable environment during the evening hours.

##### Remote Control

Offers you the flexibility to control the temperature and fan speed from anywhere in the room.

##### Effortless™ Clean Filter

Our antibacterial filter reduces bacteria, room odors and other airborne particles for a healthier, more comfortable environment.

##### Power Cord

Comes with an extra long three-prong cord — makes extension cords unnecessary.

##### Effortless™ Restart

Automatically resumes operating at its previous settings when power is restored to your unit.

##### Clean Filter Alert

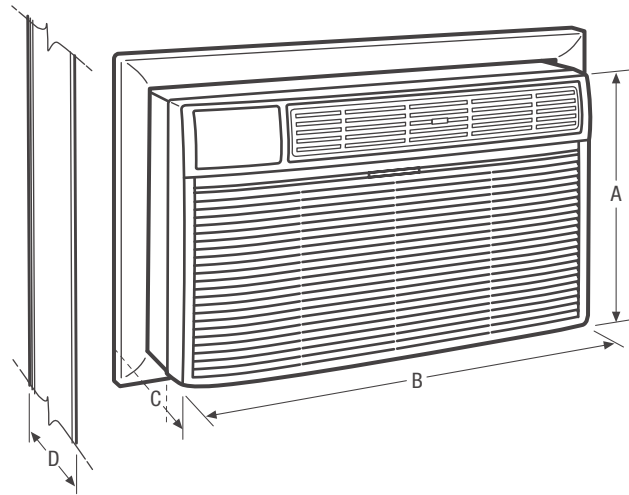
Alert notifies you when your filter needs to be cleaned so you don't have to keep track of it yourself.

##### Ready-Select® Controls

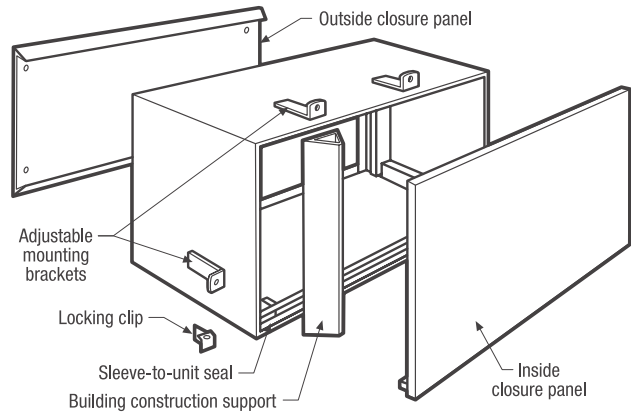
Easily select options with the touch of a button.

| Performance | BTUs          |
|-------------|---------------|
| Cool        | 12,000/11,700 |
| Heat        | 10,600/8,600  |

|  |                         |
|--|-------------------------|
| <b>Performance</b>                           |                         |
| BTU (Cool)                                   | 12,000/11,700           |
| BTU (Heat)                                   | 10,600/8,600            |
| Dehumidification (Pints/Hour)                | 3.5                     |
| Cool Area (Up To Sq. Ft.)                    | 550                     |
| Combined Energy Efficiency Ratio             | 9.5                     |
| Energy Efficiency Ratio                      | 9.5                     |
| <b>Electrical</b>                            |                         |
| Volts  | 230/208                 |
| Amps (Cool)                                  | 5.5/5.9                 |
| Amps (Heat)                                  | 15.0/13.5               |
| Watts (Cool)                                 | 1,260/1,230             |
| Watts (Heat)                                 | 3,450/2,800             |
| Length of Power Cord (Min./Max.)             | 5.5'/6'                 |
| Plug Type (NEMA)                             | LCDI (6-20P)            |
| <b>Features</b>                              |                         |
| Electronic Controls                          | Ready-Select® Controls  |
| Fan Speeds (Cool/Fan/Heat)                   | 3/3/3                   |
| Low Voltage Start-Up                         | Yes                     |
| Auto Cool Function                           | Yes                     |
| Energy Saver Mode                            | Yes                     |
| Sleep Mode                                   | Yes                     |
| Filter Check                                 | Yes                     |
| 24-Hour On/Off Timer                         | Yes                     |
| Clean Air Ionizer                            |                         |
| Remote Control                               | Full-Function with Heat |
| Air CFM (High/Med/Low)                       | 286/264/240             |
| Air Direction Control                        | 4-Way                   |
| Fresh Air/Exhaust Vent/Closed                | No/No/Yes               |
| Filter Type                                  | Antibacterial Mesh      |
| Filter Access                                | Slide-Out               |
| Slide-Out Chassis                            |                         |
| Warranty <sup>1</sup>                        | Yes                     |
| <b>Optional Accessories</b>                  |                         |
| Through-The-Wall 18" Sleeve Kit              | PN# EA108T              |
| Trim Kit (for larger existing sleeve)        | PN# EA120T              |
| Architectural-Style Exterior Louvered Grille | PN# EA109T              |
| <b>Certifications</b>                        |                         |
| Performance                                  | AHAM                    |
| <b>Specifications</b>                        |                         |
| Refrigerant                                  | R410a                   |
| Shipping Weight (Approx.)                    | 90 Lbs.                 |



**Through-The-Wall 18" Sleeve Kit (PN# EA108T)**



<sup>1</sup>Warranty 5 year sealed system/1 year full parts and labor.



Plug Type (NEMA)  
6-20P

**NOTE:** For planning purposes only. Always consult local and national electric codes. Refer to Product Installation Guide for detailed installation instructions on the web at [frigidaire.com](http://frigidaire.com).



| Product Dimensions      |         |
|-------------------------|---------|
| A - Height              | 14-1/2" |
| B - Width               | 24"     |
| C - Depth               | 20-1/2" |
| D - Max. Wall Thickness | 18"     |

| Sleeve Cutout Dimensions |           |
|--------------------------|-----------|
| Height                   | 15-5/8"   |
| Width                    | 25-15/16" |

Accessories information available on the web at [frigidaire.com](http://frigidaire.com)