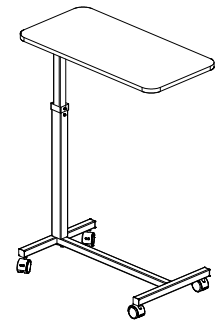


www.globalindustrial.com
 US: 888-628-3466
 Canada: 888-645-2986
 Mexico: 01.800.681.6940

OVERBED TABLE

40 lb Capacity
 Assembly Instructions
 Model # 436910



CONTENTS			CONTENTS		
REF	QTY	DESCRIPTION	REF	QTY	DESCRIPTION
1	1	BASE	H5	2	Sleeve
2	1	HEIGHT ADJUSTABLE POST	H6	1	1/4-20 x 2"lg Shoulder Bolt
3	1	TABLE TOP ASSEMBLY	H7	1	1/4-20 Nut
H1	2	Swivel Caster	H8	2	M8 x 1.0 x 0.75"lg Phillips Head Bolt
H2	2	Swivel Caster with Brake	H9	2	Lock Washer
H3	2	M10 x 1.5 x 1.75"lg Hex Head Shoulder Bolt	H10	1	Lever
H4	1	Plate	H11	1	1/4-20 x 0.5"lg Phillips Head Bolt

Assembly Precautions

This Overbed Table utilizes a high-tension spring loaded mechanism to raise the table, DO NOT remove the Black Screw. Replace the Packing screw with H11 Chrome Screw when the table is fully assembled.

DO NOT over tighten bolts, screws or use power tools when assembling this product.

Important Warnings

Please follow all instructions and warnings to avoid hazardous situations that can result in property damage and/or patient/resident/staff/caregiver injury and/or death.

Inspect the product for damage and loose hardware before each use. DO NOT use the product if it appears to be damaged or unstable and DO NOT modify the product in any way.

Intended Use

This product is designed for use as a movable patient/resident table top surface for reading, eating, or keeping small personal items such as glasses, telephone, or books within easy reach.

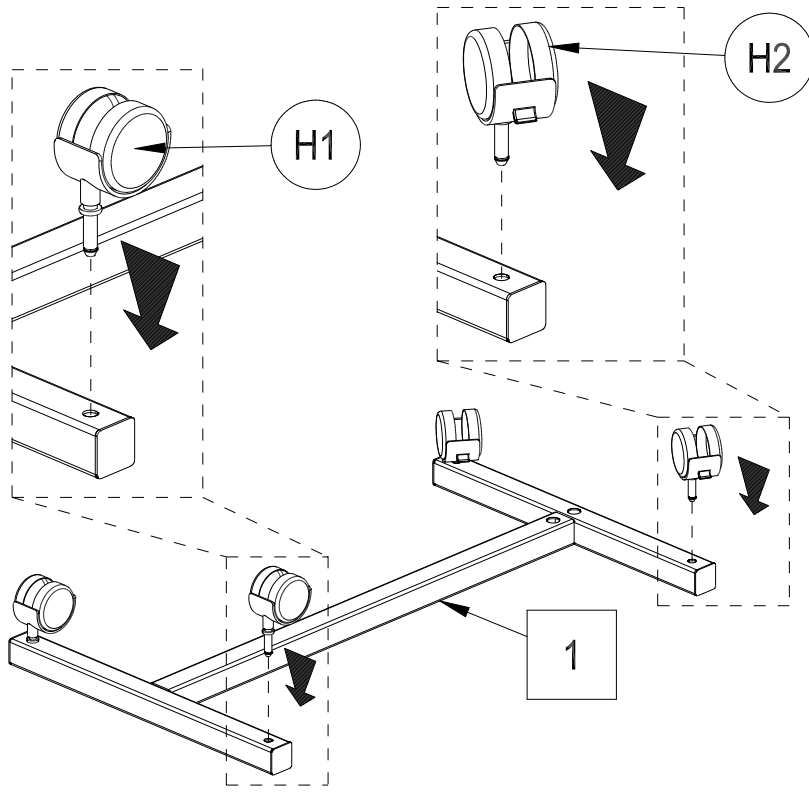
This product is designed for indoor use ONLY within close proximity of skilled caregivers. It is not designed to hold electrical items (such as televisions, computer monitors, coffee pots, etc.) and should not be used near open flames and excessive heat.

Maximum weight limitation for this product is 40 lbs (18 kg.); weight should be evenly distributed over the table top surface while at the lowest usable height to help maintain a stable condition.

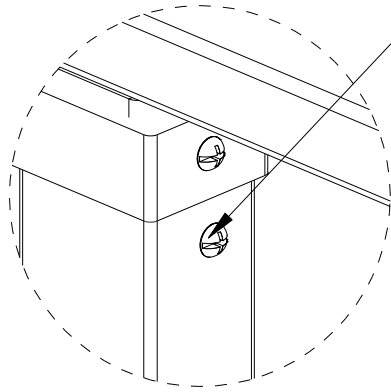
DO NOT overload the product as that could result in breakage, as well as damage to property and/or serious injury.

Use ONLY as directed for its intended use. This product should NOT be used: as a sleep surface; as a walker or mobility aid to assist a person in walking, sitting down or standing up; to prevent or brace a person's fall; or to help transport persons or items.

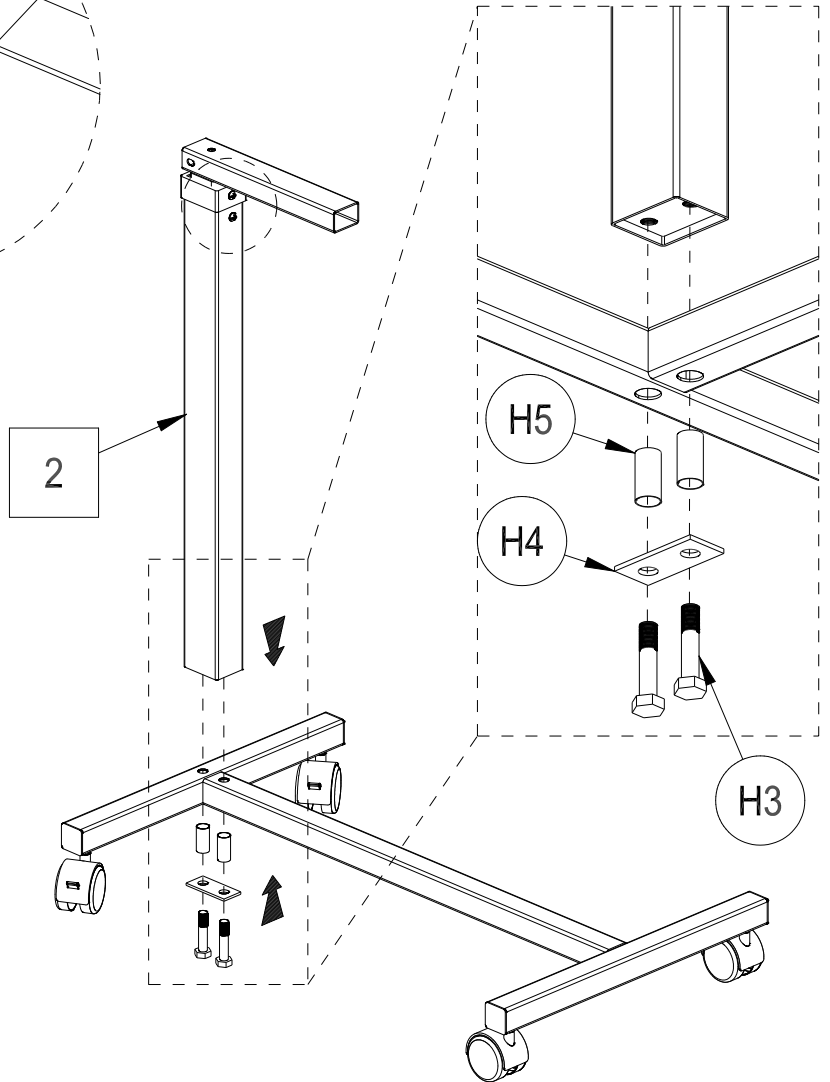
1



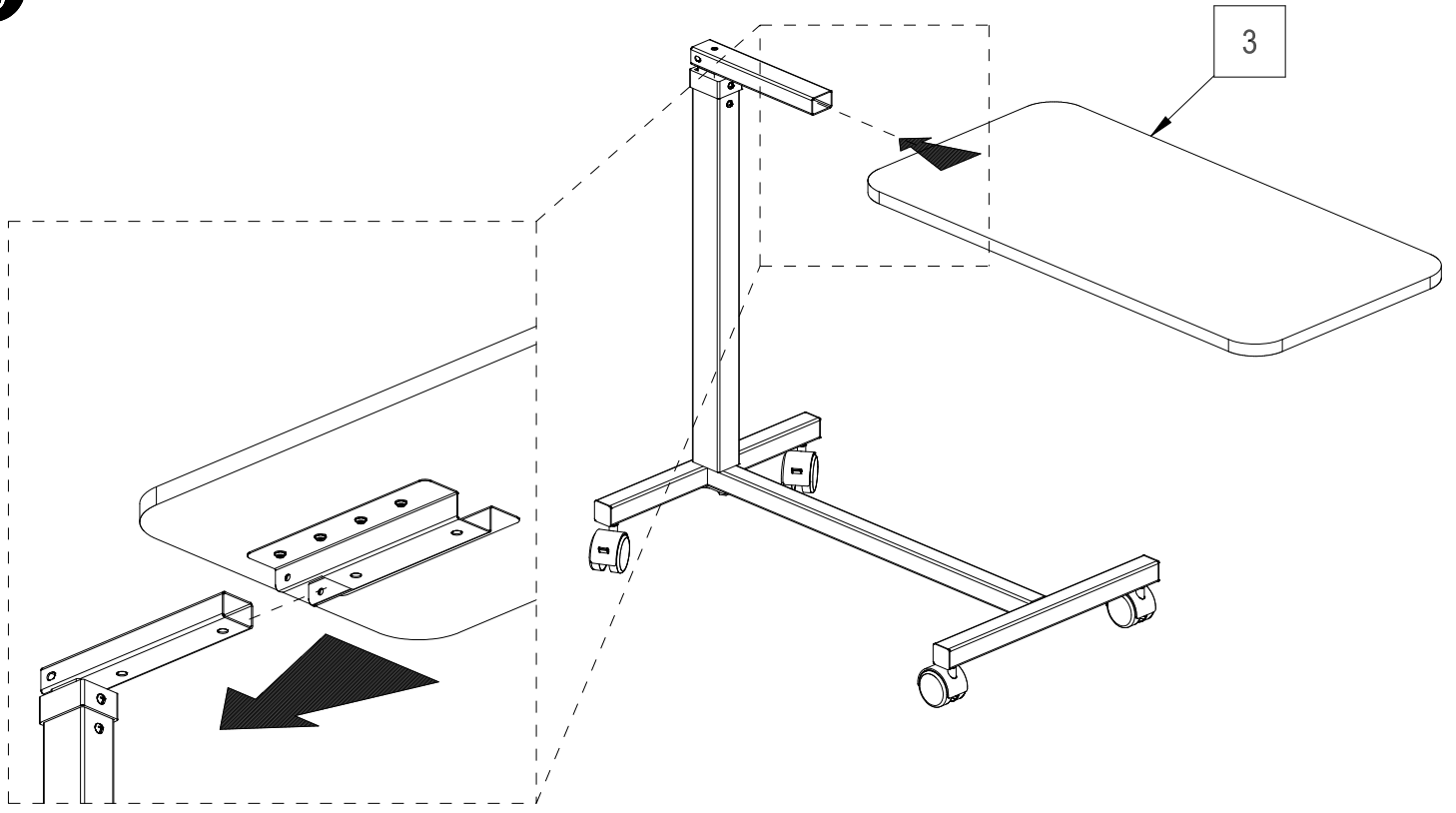
2



Do not remove screw
labeled "DO NOT REMOVE"

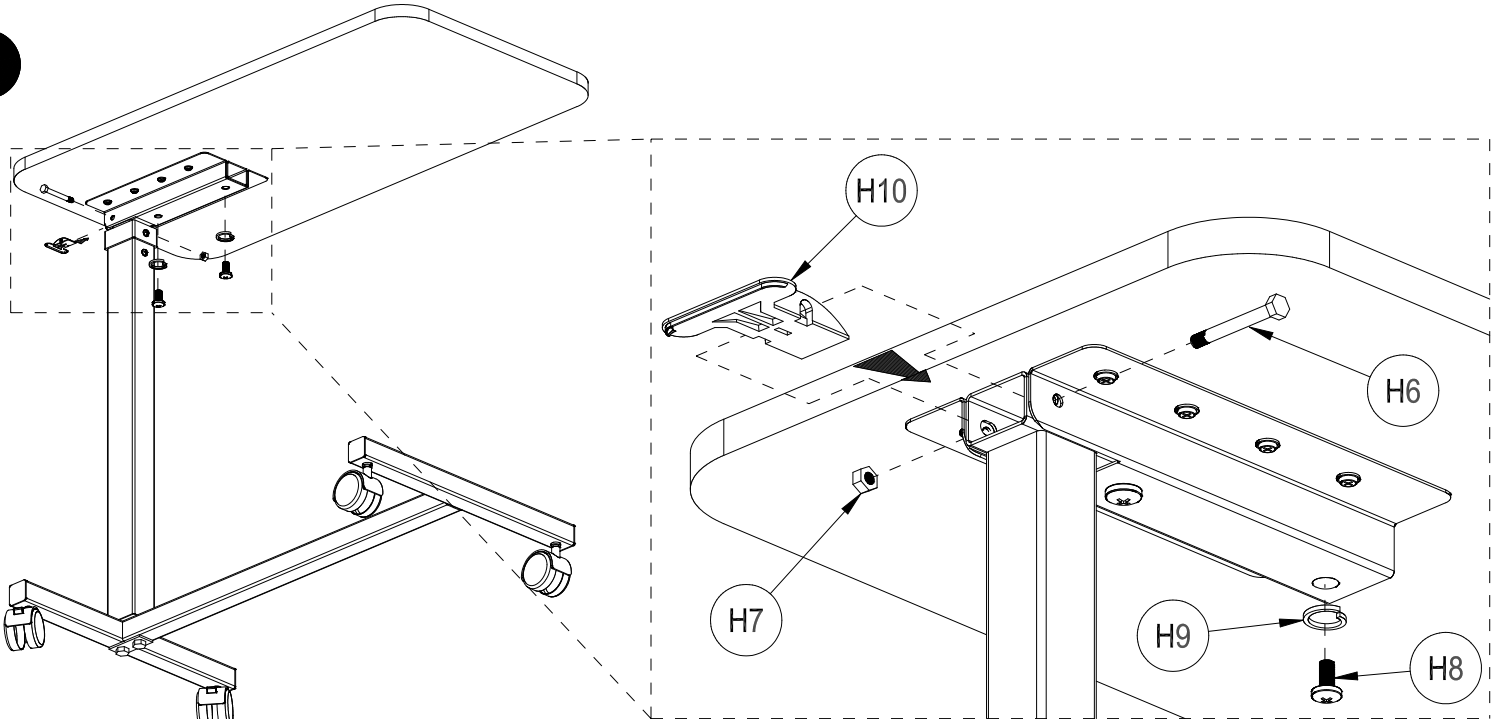


3



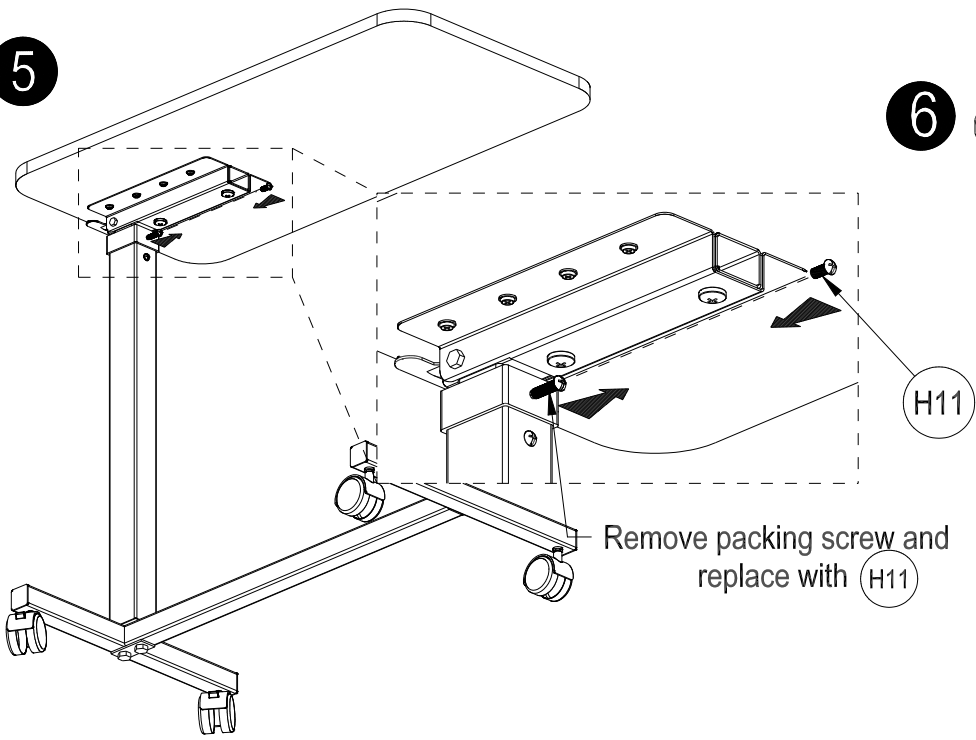
Underside View

4

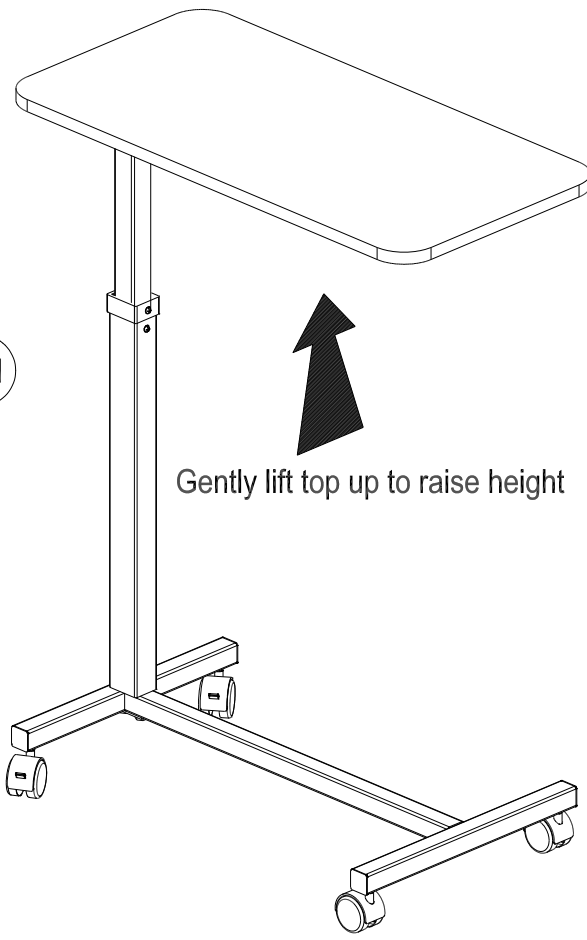


Rear View

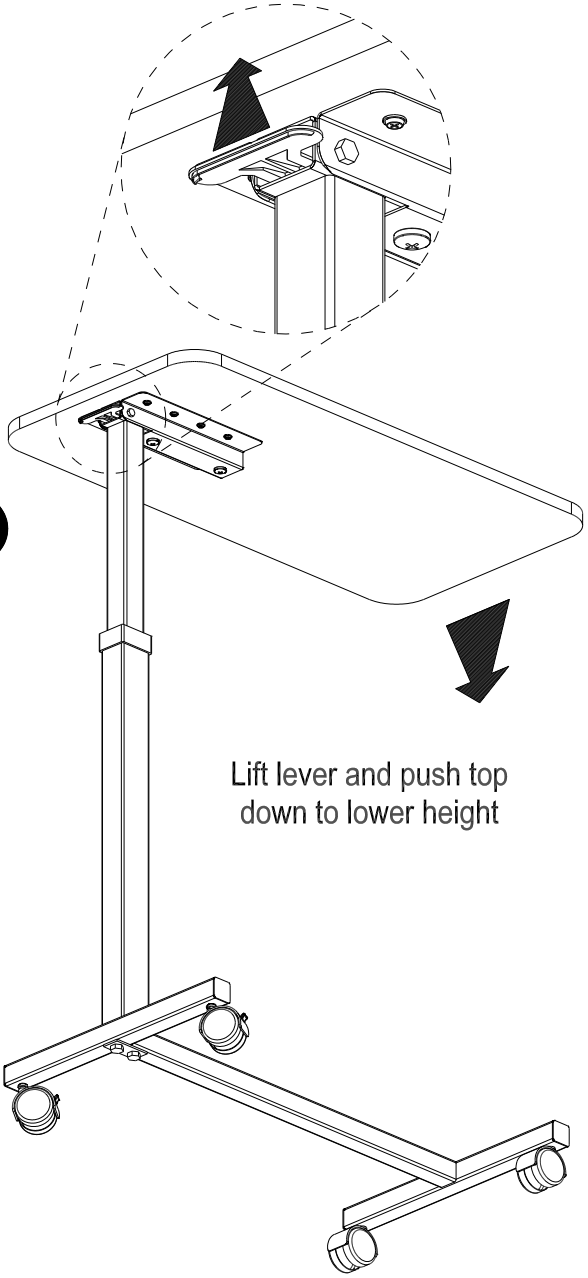
5



6



7



8

