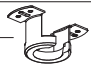











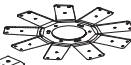





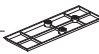





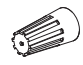

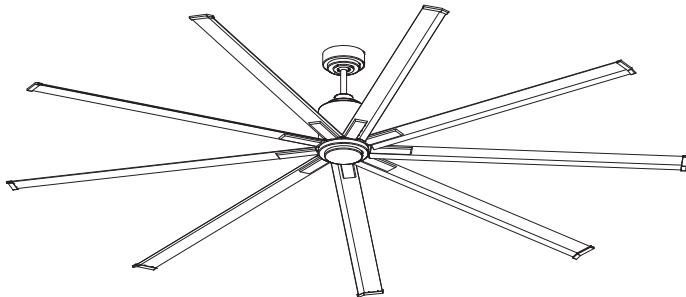




CONTENTS			CONTENTS		
REF	QTY	DESCRIPTION	REF	REF	DESCRIPTION
1	1	MOUNTING BRACKET 	H4	1	Mounting Pin 
2	1	DOWNROD/BALL JOINT ASSEMBLY 	H5	2	10-24 X 1/2" Long Phillips Set Screw 
3	1	CANOPY 	H6	1	Cotter Pin 
4	1	CANOPY COVER 	H7	6	1/4-20 X 3/8" Long Oval Head Phillips Screw 
5	1	DOWNROD COVER 	H8	6	0.25" Dia Lock Washer 
6	1	MOTOR 	H9	2	8-32 x 3/4" Long Phillips Screw 
7	1	FAN BLADE HOLDER 	H10	9	10-24 X 1/5" Long Phillips Screw 
8	9	FAN BLADE 	H11	27	10-24 X 1/4" Long Phillips Screw 
9	9	FAN BLADE CAP 	H12	27	0.2" Dia Lock Washer 
10	9	FAN BLADE SCREW COVER 	H13	1	Remote and Remote Bracket 
11	1	BOTTOM COVER 	H14	2	M3 x 16mm Long Phillips Screw 
H1	3	#10 Oval Head Phillips Wood Screw 	H15	1	CR2032 Battery 
H2	3	Wire Caps 			
H3	3	Plain Washer 			

**\*\*\*IMPORTANT: READ AND SAVE THESE INSTRUCTIONS\*\*\***

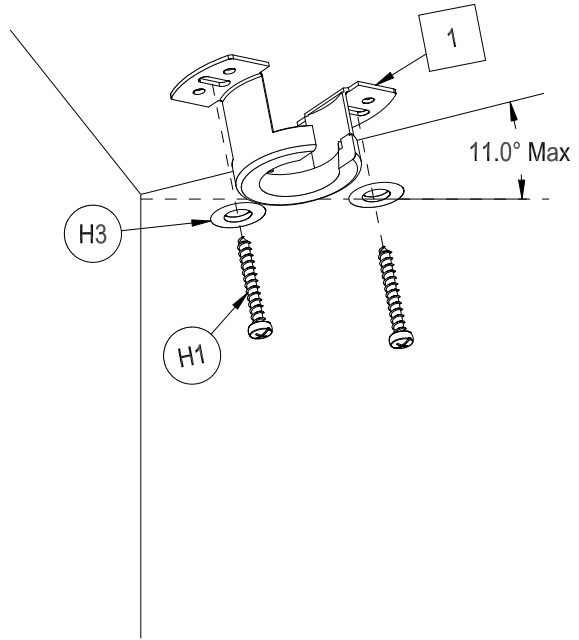
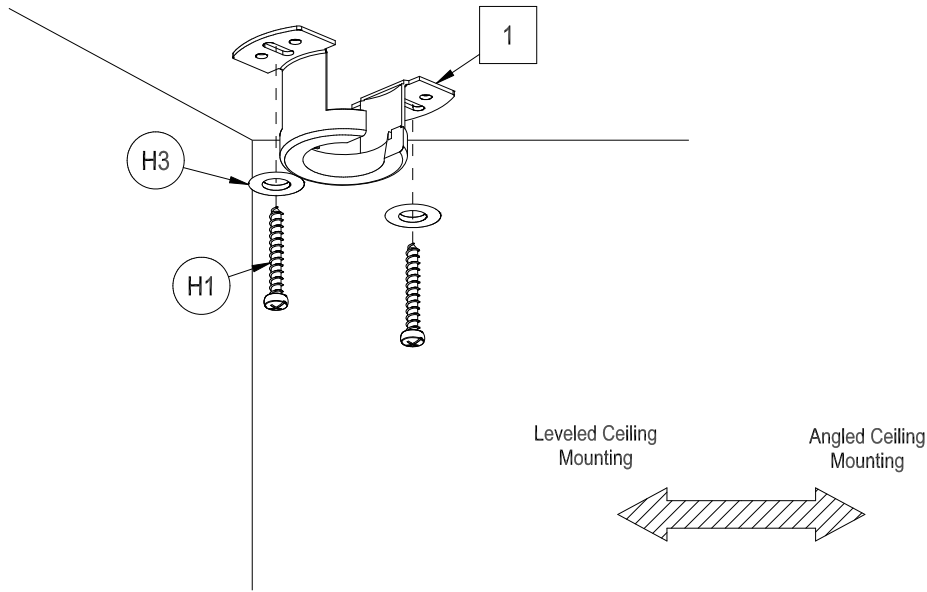
**Read instructions carefully before assembling or installing your fan. It is important that you observe all safety information to help prevent personal injury and/or property damage.**



1. Installation work and electrical wiring should be done by qualified persons only in accordance with all applicable codes and standards.
2. Unplug or disconnect the fan before servicing.
3. Use this fan only in the manner intended by the manufacturer. This fan is intended for permanent installation and to be used for circulation only.
4. The secondary support cable included with the fan must be properly connected.
5. The fan shall be supported directly from the building structure.
6. To reduce the risk of personal injury, do not bend the blade mount when installing the mount onto the motor, installing the blades onto the mount, or cleaning the fan.
7. Do not insert foreign objects in between rotating fan blades.
8. Ceiling fans without guards are to be installed at least 10 feet above the floor with adequate clearance between blades and adjacent walls, furnishings, etc.
9. When mounted in cathedral ceiling, blade tips should be at least 1 foot from the angled roof line or air turbulence may cause the fan to sway.
10. The supporting beam must be capable of holding at least 90 pounds (or the weight of the fan plus any accessories that might be added).
11. Do not operate any fan with damaged electrical cords. Discard the fan or return to an authorized service facility for examination and/or repair.
12. To reduce the risk of fire or electric shock, do not use this fan with other types of solid-state speed control devices.

SPECIFICATIONS		
Model #	292700	292701
Size	72"	96"
Wattage	33	33
RPM	120	75
Airflow (CFM)	10,203	13,080
Motor Horsepower	1/4 HP	1/4 HP
AMPS	0.55	0.55
Downrod Dims	1/2" x 6"	1/2" x 6"
Blade Pitch	4	4
Speeds	6	6
Certification	ETL/CETL	ETL/CETL

1



**Attention**

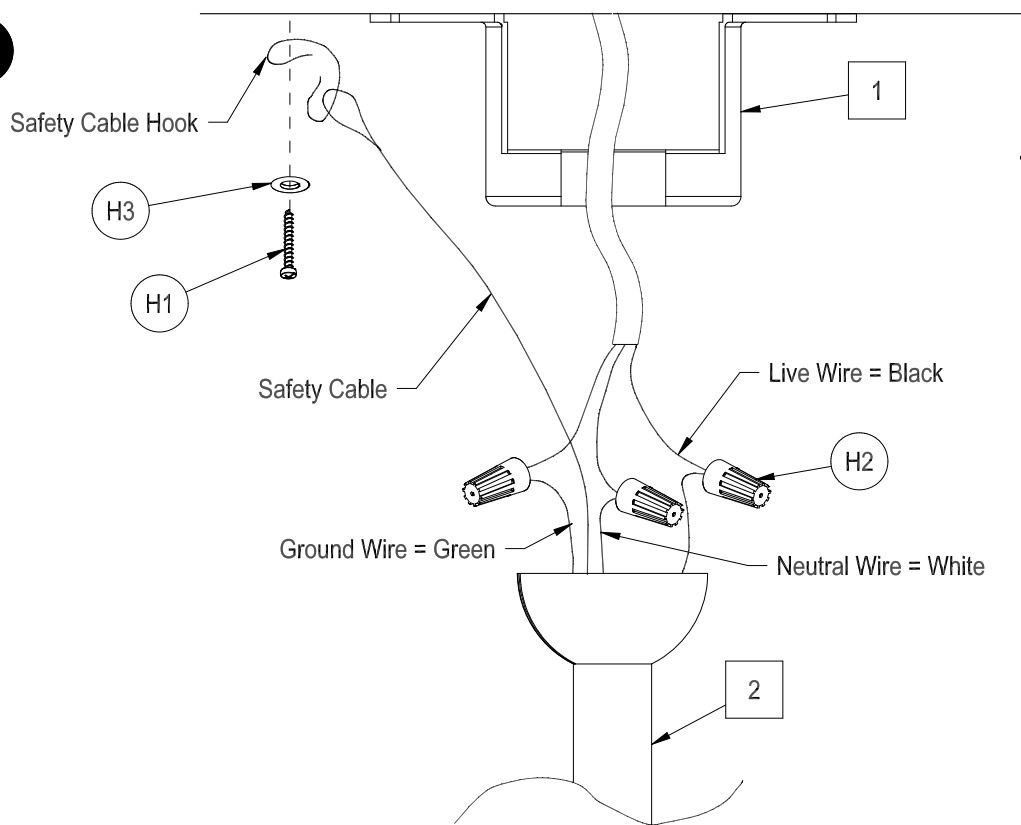
Install the ceiling fan in a location such that the spacing from the tip of the blades to the nearest objects or walls is AT LEAST 12" (300mm).  
 Make sure that the mounting location on the ceiling can support a load of at least 90 lbs (40kg).  
 Make sure that the mounting screws are drilled at least 1 1/4" (30mm) deep into the mounting surface.  
 If the ceiling is angled, the fan mounting equipment is only designed for a maximum 11 degree incline or decline.

**Note:**

The mounting screws provided are for use with wooden structures only. The appropriate screw type MUST be used if mounting to anything other than wood.

**ELECTRICAL WIRING**

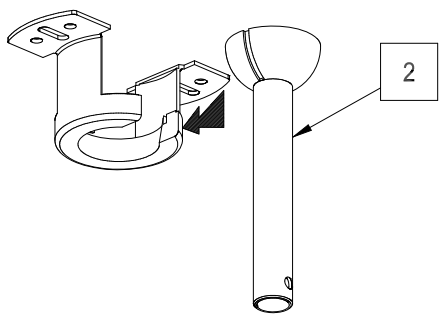
2



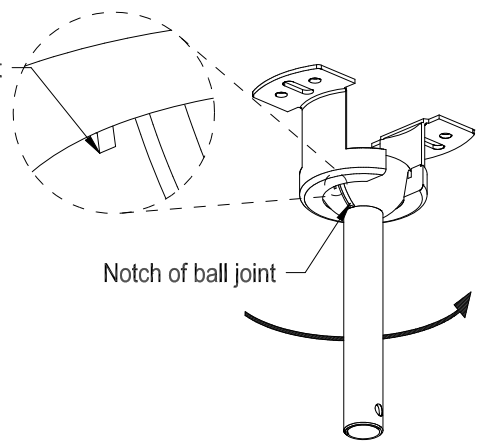
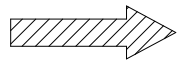
**WARNING**

1. This appliance must be grounded.
2. This product must be installed by a certified electrician in accordance with local codes.

3



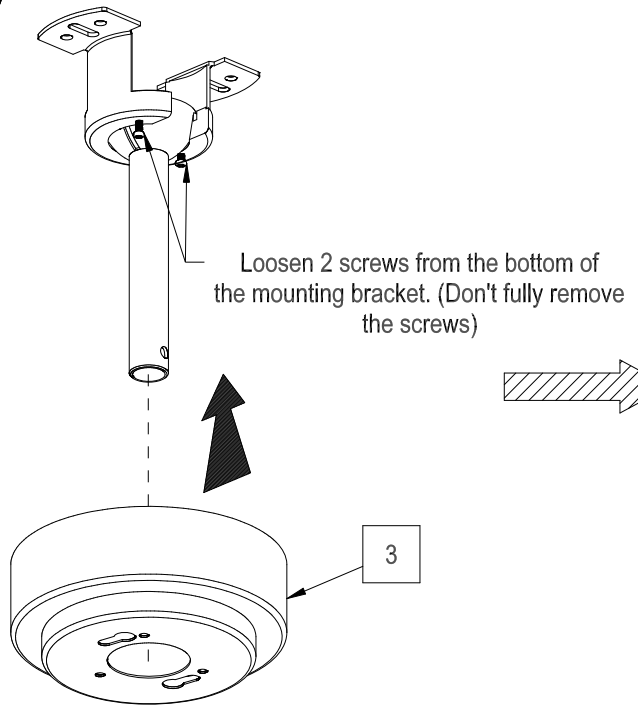
Stopper of mounting bracket



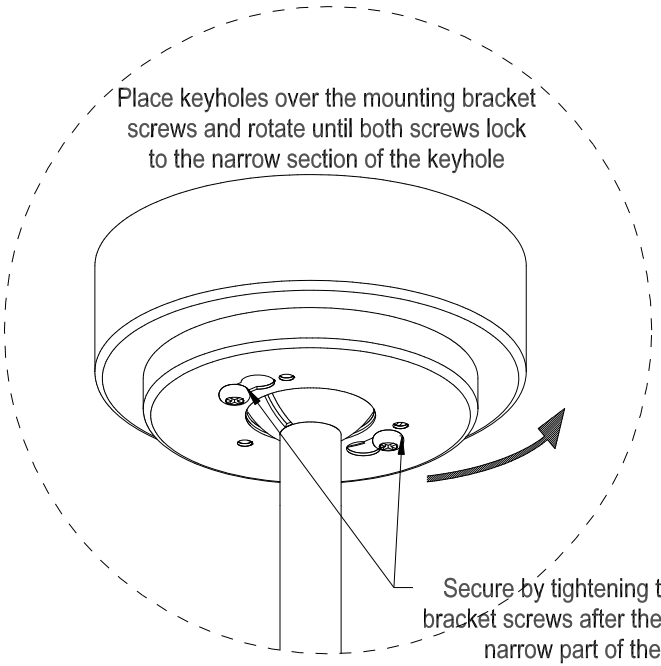
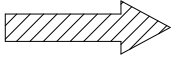
Notch of ball joint

Rotate till notch on the ball joint catches the stopper on the mounting bracket

4



Loosen 2 screws from the bottom of the mounting bracket. (Don't fully remove the screws)

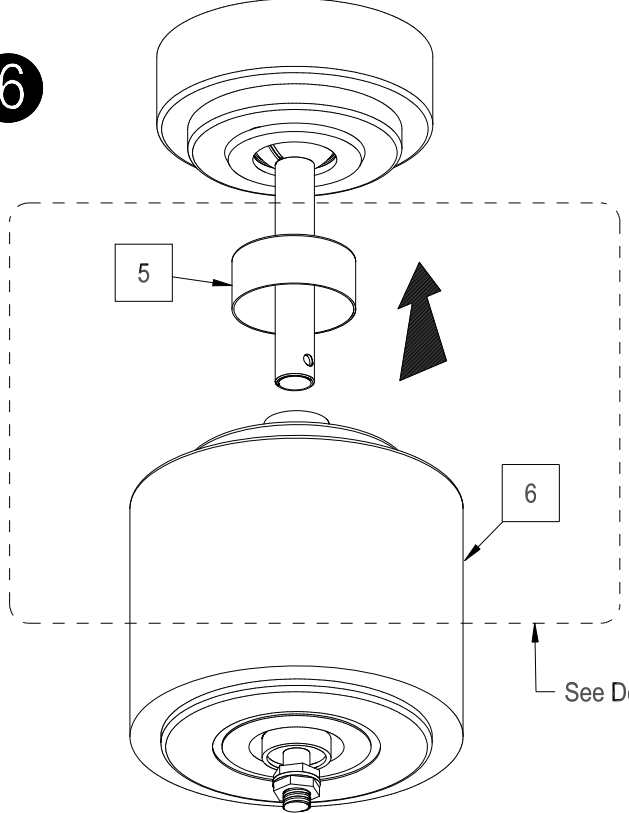
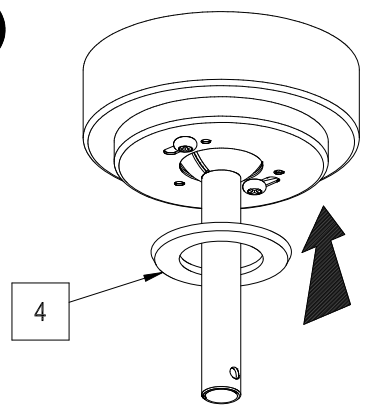


Place keyholes over the mounting bracket screws and rotate until both screws lock to the narrow section of the keyhole

Secure by tightening the mounting bracket screws after they lock into the narrow part of the keyhole

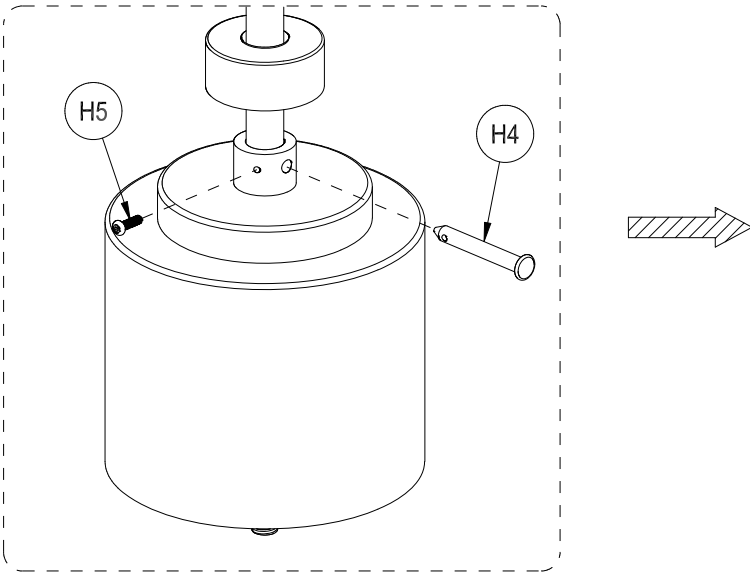
6

5

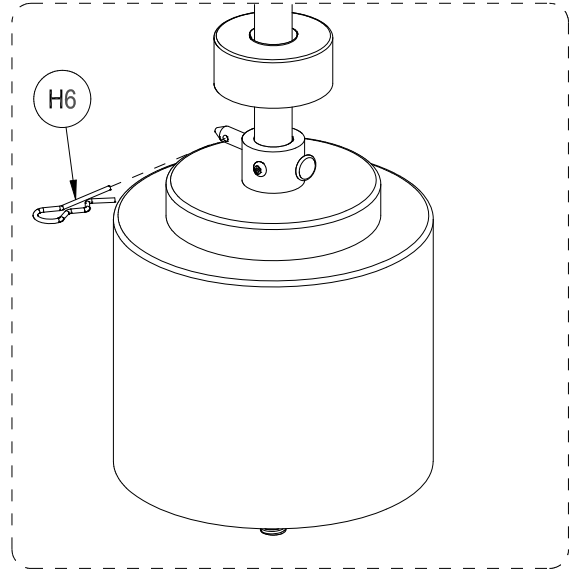


See Detail A & B

### DETAIL A



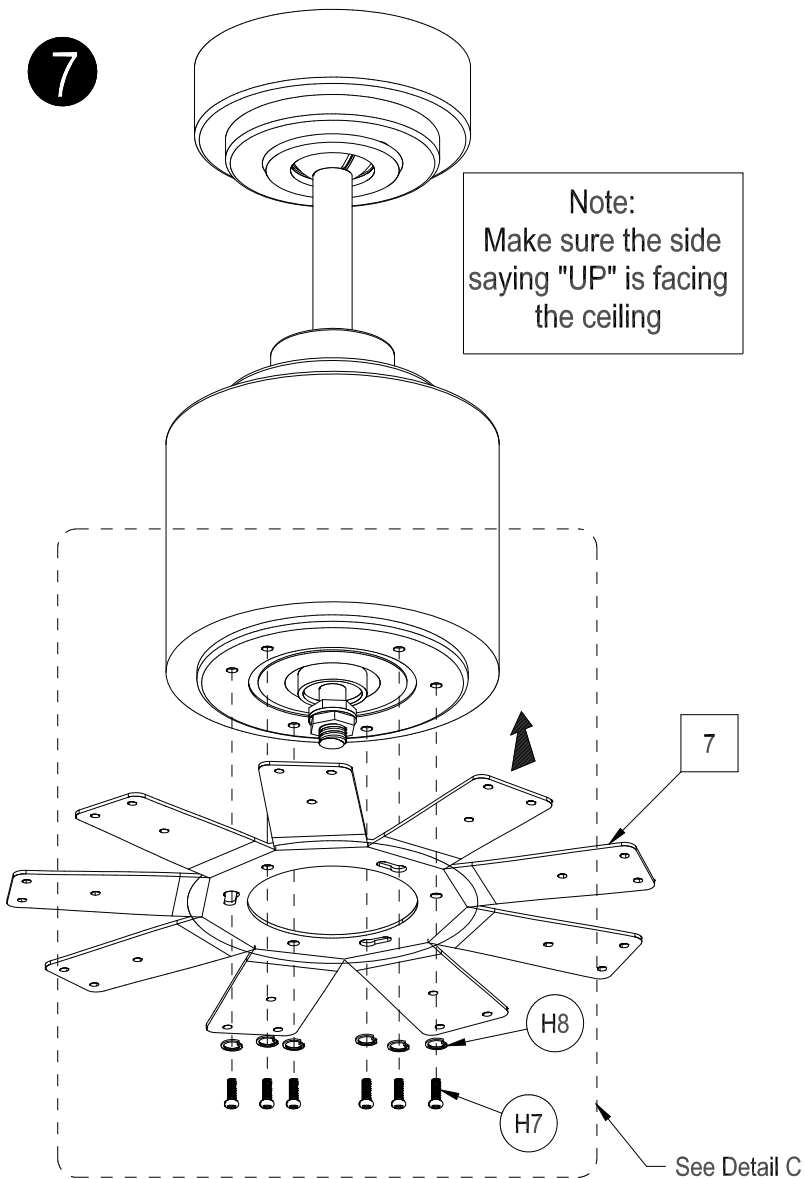
### DETAIL B



Note: Must be secured.

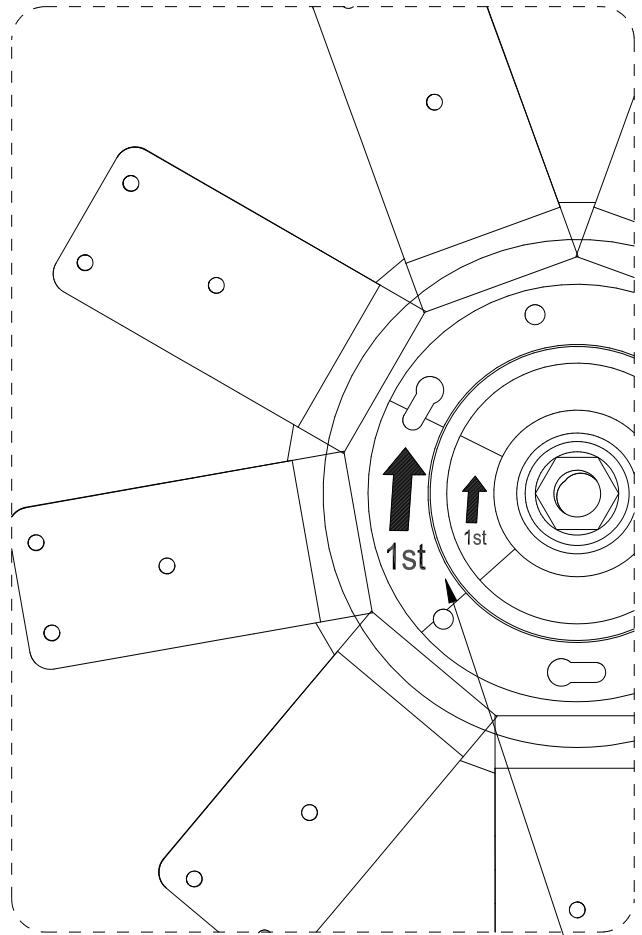
7

Note:  
Make sure the side  
saying "UP" is facing  
the ceiling



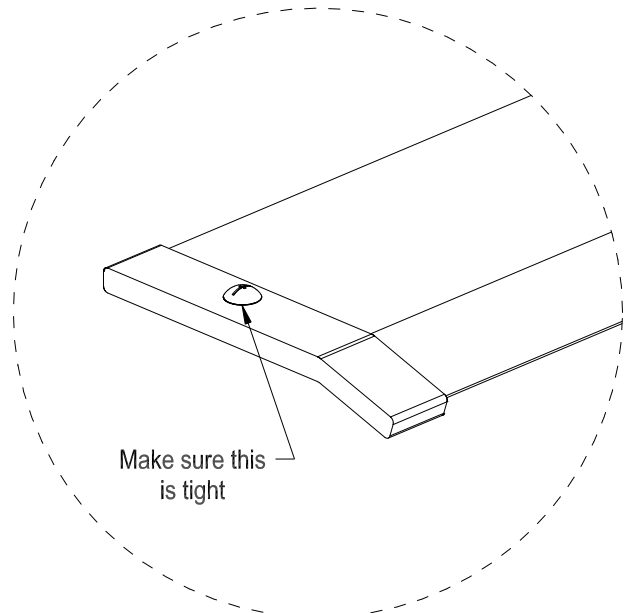
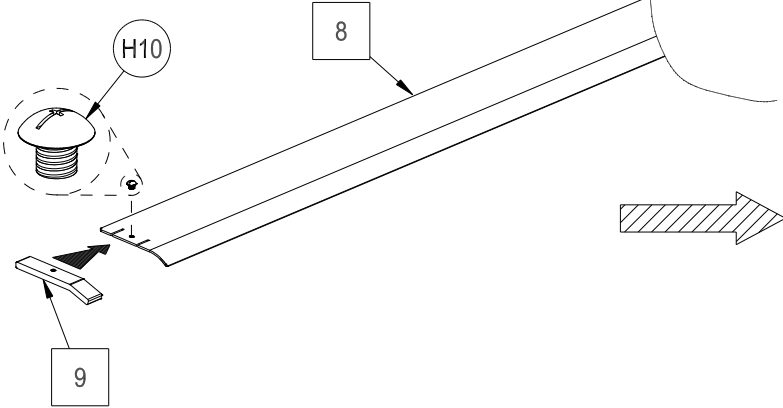
See Detail C

### DETAIL C

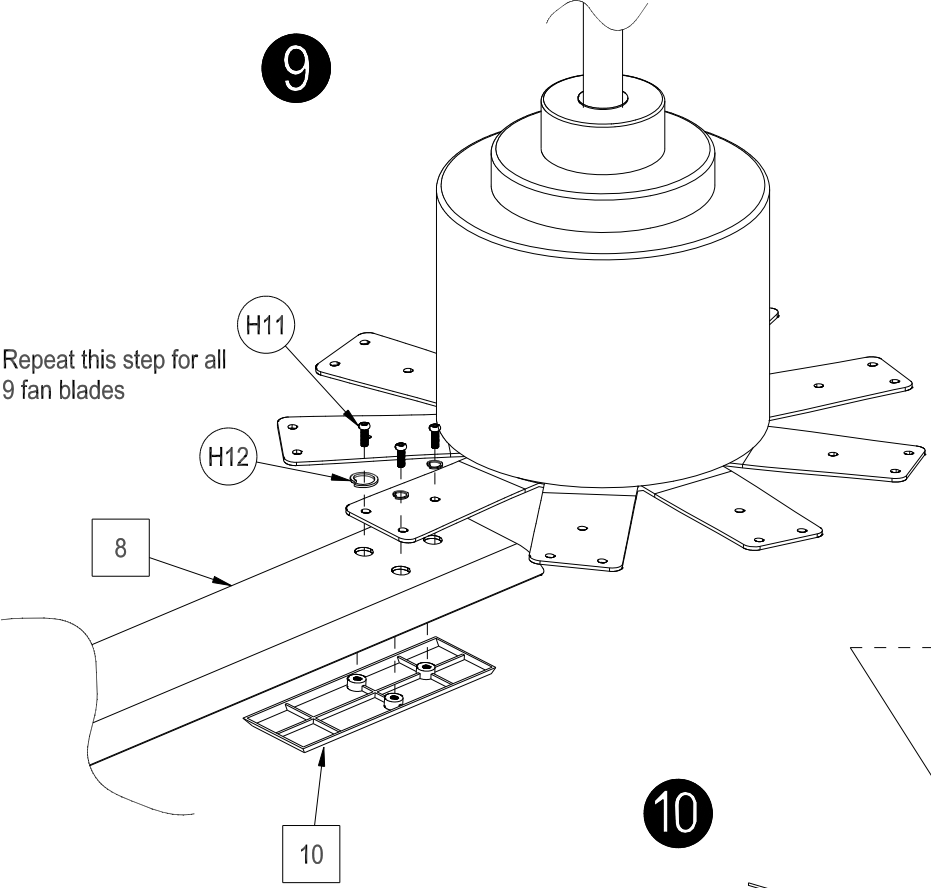


Make sure the shown labels  
are aligned

8

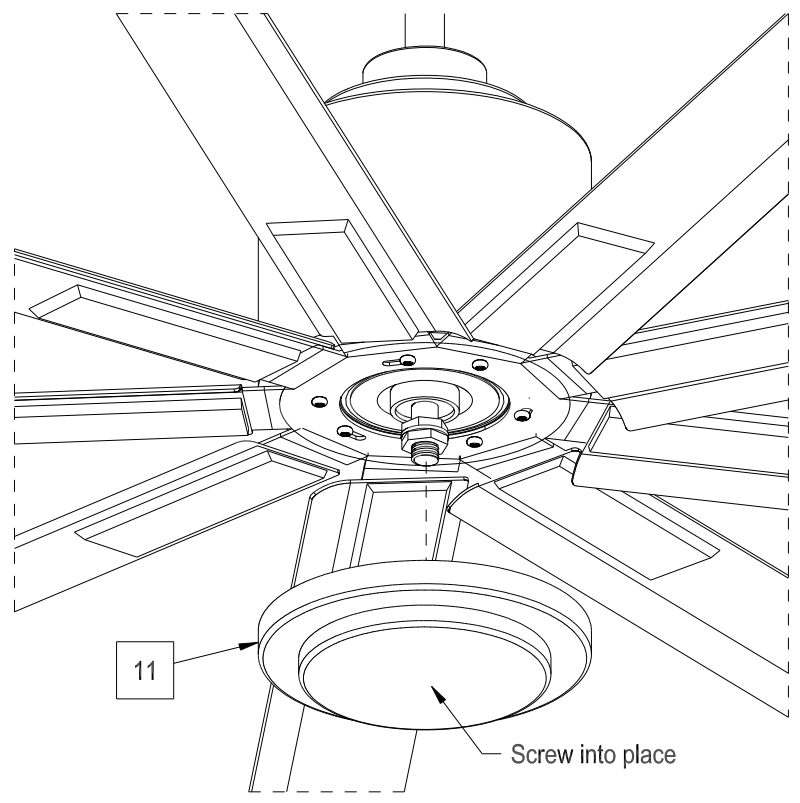


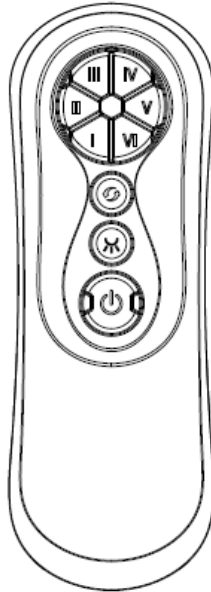
9



Note:  
 Make sure the side  
 labeled "THIS SIDE UP"  
 is facing  
 the ceiling

10





## USING YOUR CEILING FAN

### Pairing Transmitter and Receiver – when 2 or more DC ceiling fans are installed in one location

When two or more fans are located near each other, you may want to have the receiver/transmitter for each fan set to a different code, so that the operation of one fan does not affect the operation of the other fans.

The DIP switches for the transmitter (remote hand piece) are located in the battery compartment of the transmitter. Configuring the DIP switches will allow a unique transmission code assigned to each fan ceiling.

**NOTE:** Ensure that you have installed an all - pole disconnection switch in the fixed wiring for each fan, when using DIP code function.

**NOTE:** Ensure power to the Receiver is **ON** prior to pairing the transmitter with the receiver.

**NOTE:** The receiver is in the main motor housing , so when power is on or off at the motor it is the same for receiver.

### Transmitter/Receiver pairing for ceiling fan 1:

- Turn off both ceiling fans 1 and 2 via the mains supply to the receiver.
- Slide the cover of the battery compartment of the transmitter to access the DIP switches. This will be transmitter 1.
- Change the position of the DIP switches in the remote transmitter 1, so that it will be different to transmitter 2.
- Install the 3VDC battery in the compartment. Please make sure the polarity of the battery is correct.
- Turn on the power to receiver 1. Keep the power OFF to receiver 2. (Each ceiling fan must have its own isolation switch, so that only the ceiling fan that needs to be paired with the transmitter will be ON).
- Press and hold the FAN OFF button of transmitter 1 for 6 seconds within 60 seconds of switching the power to the receiver of ceiling fan 1.
- Now the transmitter should be paired with the receiver of ceiling fan 1. Turn ON/OFF or change the speed of ceiling fan 1 by the transmitter to check the operation.

**NOTE:** While repairing the DC ceiling fan remote and receiver is in process, the fan operates at highest speed with REVERSE mode automatically for 90 seconds, and then operates with FORWARD mode for 90 seconds. During the pairing process, do not press any key on the remote.

## Setting DC Ceiling fan 2:

- Turn off both ceiling fans 1 and 2 via the mains supply to the receiver.
- Slide the cover of the battery compartment of the transmitter to access the DIP switches. This will be transmitter 2.
- Change the position of the DIP switches in the remote transmitter 2, so that it will be different to transmitter 1.
- Install the 3VDC battery in the compartment. Please make sure the polarity of the battery is correct.
- Turn on the power to receiver 2. Keep the power OFF to receiver 1. (Each ceiling fan must have its own isolation switch, so that only the ceiling fan that needs to be paired with the transmitter will be ON).
- Press and hold the FAN OFF button of transmitter 2 for 6 seconds within 60 seconds of switching the power to the receiver of ceiling fan 2.
- Now the transmitter should be paired with the receiver of ceiling fan 2. Turn ON/OFF or change the speed of the ceiling fan 2 by the transmitter to check operation.

**NOTE:** The pairing of Transmitter and Receiver is not required if only one ceiling fan is installed. When more than two ceiling fans are installed near each other, please refer to the instruction above.

## Remote Control Buttons



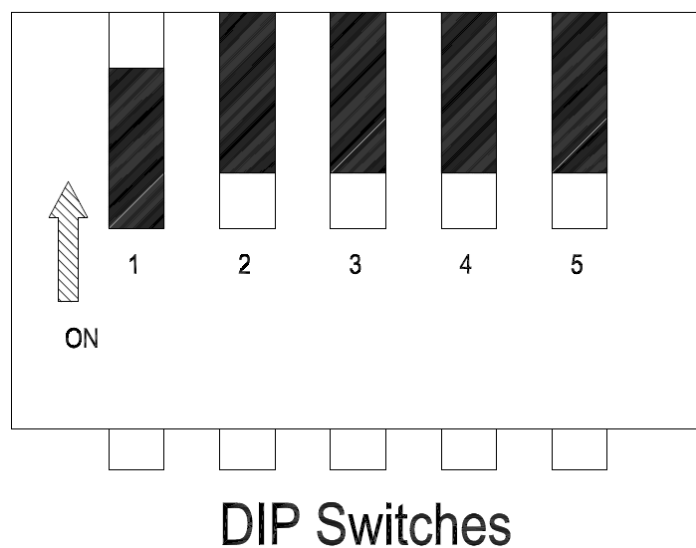
### FAN SPEED CONTROL BUTTON:

There are 6 available speeds. I button is for the lowest speed, and VI button is for the fastest speed.

**NOTE:** when you turn on the fan FOR the first time OR SWITCH THE MAIN POWER TO THE CONTROLLER, you need TO START THE FAN ON HIGH " VI " SPEED FIRST AND THEN CHOOSE A LOWER SPEED.

5-10 SECONDS IS REQUIRED TO ALLOW THE DC FAN TO RESPOND TO THE REMOTE EACH SPEED OR FAN DIRECTION SELECTIONS, AS DC FANS INCORPORATE A SENSOR CONTROL WHICH CONTROLS THE POWER TO THE MOTOR.

**NOTE:** When the motor is first activated it will start and turn in CW than CCW direction several times before continuing in a particular fan direction. This is a normal start-up as the motor is configuring its operation.



### FAN OFF BUTTON:

Press the button to turn the fan off.



### REVERSE FUNCTION BUTTON:

Press this button to switch between SUMMER and WINTER settings. The fan should ideally be set to move blades in counter-clockwise direction for downwards airflow during summer seasons, and to move blades in clockwise direction for upwards airflow during cooler seasons.

**Note:** It will take the fan several seconds to settle down on a new speed after each fan direction change command.



### **LIGHT CONTROL BUTTON:**

Press the button to turn on/off the light. By default, light is ON after power to the fan is turned ON.

**Note:** This button is only functional on remote for ceiling fans equipped with light. The button is NOT functional for ceiling fans WITHOUT light.

### **THE RECEIVER PROVIDES THE FOLLOWING LEVEL OF PROTECTION AGAINST:**

- Lock position: the receiver has a built in safety feature to protect against obstruction during operation. The motor will be locked from operation and will disconnect from power after 30 seconds of interruption. Please remove obstacles before re-starting. To reset, simply turn off the power supply to the fan motor and re-start.
- Over 80W protection: When the receiver detects power consumption which is greater than 80W, the receiver power will be stopped and operation will immediately discontinue. Turn the receiver power on after 5 seconds to restart the fan.

### **REPAIRING THE FAN RECEIVER & REMOTE PAIRING**

Should the remote and receiver lose control after installation or during use, the pairing of the remote and the receiver must be repaired. Below are the operating symptoms and method to repair the pairing of the DC ceiling fan remote and receiver.

Issues:

- Loss of control - Fan is only running at high speed after installation
- Loss of control - No reverse function after installation
- Loss of control - Remote cannot communicate with the receiver

### **Solution:**

If the fan runs at the highest speed continuously, it means the wiring of the installation is correct. When the fan operates on high speed only, or fails to operate in reverse function or any other command/s, it is recommended to repair the communication pairing of the remote and receiver. Please follow the steps below:

- A. Remove the battery cover on the remote. Making sure the battery is installed correctly and the red LED light indicator will be flashing. This means the remote function is okay.
- B. Turn off the main supply to the receiver for more than 30 seconds and turn on the main supply to receiver again. Press and hold the SET button on the remote for 6 seconds within 60 seconds of turning the power on to the receiver.
- C. Press the buttons on the remote to run the fan. In general, performing point A, B, and C should repair the remote and receiver and will allow full control of the fan. If not, please do the next step.
- D. The DIP switches on the fans are set up at the factory. The DIP switch can be changed to any location in 16 options. (Eg. up-up-down-down).



# Maintenance

1. Because of the fan's natural movement, some connections and screws may become loose. Check the support connections, brackets, and blade attachments at least twice a year to make sure they are secure.
2. Clean the fan periodically to help maintain the appearance. Do not use water when cleaning. This could damage the motor, or possibly cause electric shock.
3. Use only a soft brush or lint-free cloth to avoid scratching the finish.
4. There is no need to oil your fan. The motor has permanently lubricated bearings.

# Troubleshooting

If you have difficulty operating your new ceiling fan, it may be the result of incorrect assembly, installation, or wiring. In some cases, these installation errors may be mistaken for defects.

If you experience any problems, please check the following trouble shooting guide. If a solution to the problem cannot be found, please consult with a licensed electrician. Do not attempt any electrical repairs by yourself.

TROUBLE	SUGGESTED REMEDY
Fan does not start	<ol style="list-style-type: none"> <li>1. Check main and branch circuit fuses or circuit breakers.</li> <li>2. Check wire connections as performed in Step # 2 of installation.</li> </ol> <p>CAUTION: Make sure main power is turned off.</p> <ol style="list-style-type: none"> <li>3. If the fan still will not start, contact a licensed electrician. Do not attempt to troubleshoot internal electrical connections by yourself.</li> </ol>
Fan sounds noisy	<ol style="list-style-type: none"> <li>1. Check to make sure all screws in the motor housing are snug (not over tightened).</li> <li>2. Check to make sure the screws which attach the fan blade mount to the motor are tight.</li> <li>3. Some fan motors are sensitive to signals from Solid State Variable Speed Controls.</li> <li>4. Allow a "break-in" period of 24 hours. Most noises associated with a new fan will disappear after this period.</li> </ol>
Fan wobbles	<p>The following procedures should eliminate most of the wobble. Check for wobble after each step.</p> <ol style="list-style-type: none"> <li>1. Check that all blades are screwed firmly into the blade mounts.</li> <li>2. Check that the blade mount is tightly secured to the motor.</li> <li>3. Check that all set screws attaching the motor to the downrod are tight.</li> <li>4. Make sure that the mounting bracket is tightened securely to the ceiling.</li> <li>5. If blade wobble is still noticeable, interchanging two adjacent (side by side) blades can redistribute the weight and possibly result in smoother operation.</li> </ol>