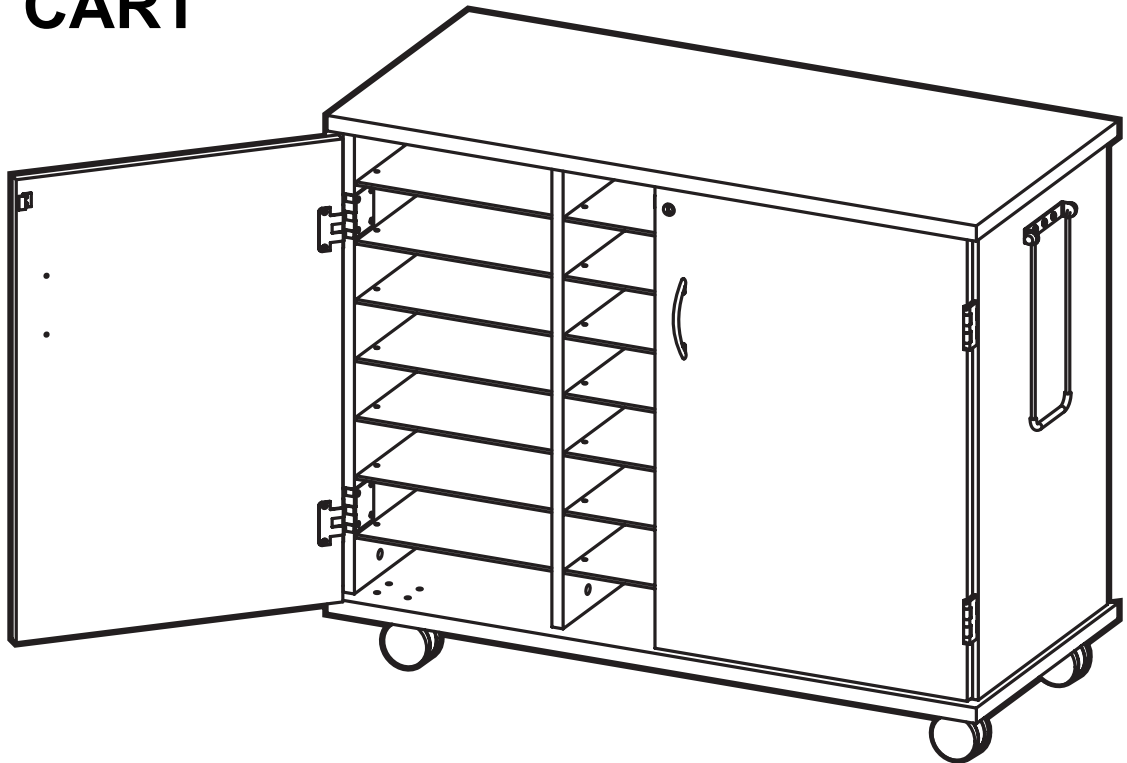




BY  IRONWOOD

LSC

LAPTOP STORAGE CART



IMPORTANT!

Assembly may require the assistance of another person.

Before you begin assembly:

READ THE DIRECTIONS all the way through one time. This will speed up the process and help you understand the sequence of steps.

COUNT THE PARTS AND HARDWARE before assembly. This ensures you have received all necessary parts before you begin.

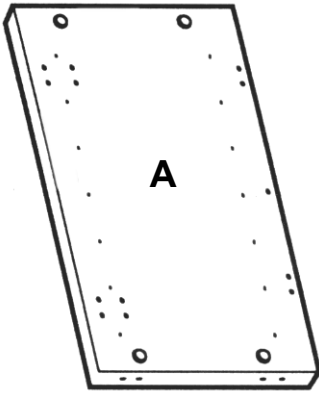
TOOLS: You may need a Phillips head screwdriver, a medium slotted screwdriver or a plastic mallet. To protect your new furniture from damage during assembly, it is recommended to work on a carpeted surface.

In the event any parts are missing from this package, send your name, address, telephone number, and a description of the missing part(s) to: PARTS, Box 1420, Missoula, MT 59806 or call: 1-800-769-5693 or FAX 1-800-445-5281.

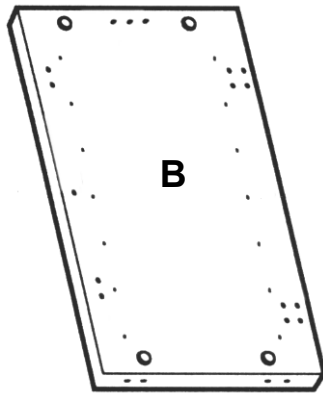
CAUTION: On assemblies requiring glue, make sure the unit is assembled correctly before gluing. Once this unit is assembled with glue, the manufacturer will not be responsible for damaged parts. Keep a damp cloth or sponge handy to wipe off excess glue.

To care for this furniture, simply wipe with a cloth dampened with glass cleaner containing ammonia-D.

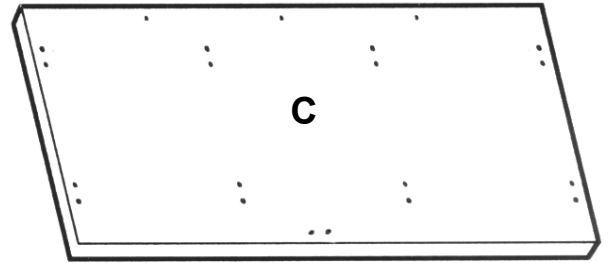
PARTS DIAGRAM



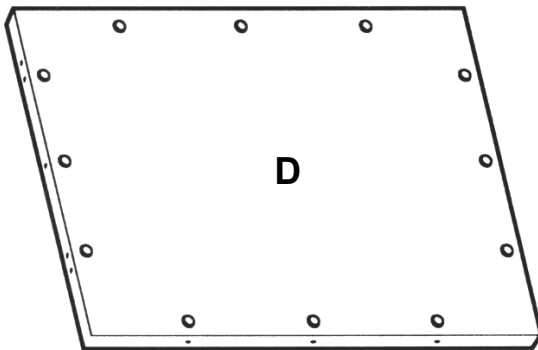
Left Side	01050141	1 ea.
-----------	----------	-------



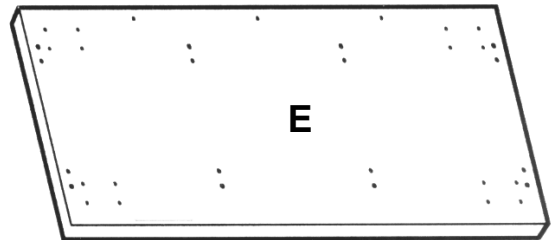
Right Side	01050141	1 ea.
------------	----------	-------



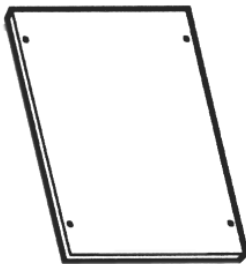
Top	01050101	1 ea.
-----	----------	-------



Back	01050152	1 ea.
------	----------	-------

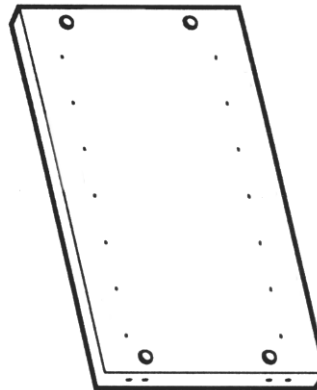


Bottom	01050111	1 ea.
--------	----------	-------



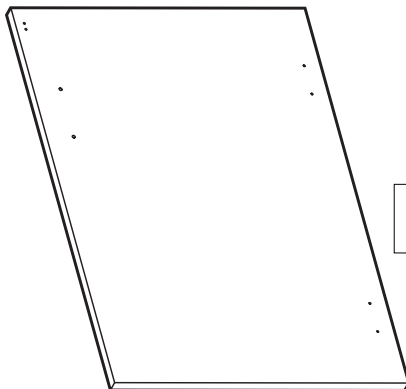
G (21 ea)

Adjustable Shelf	01050127
------------------	----------



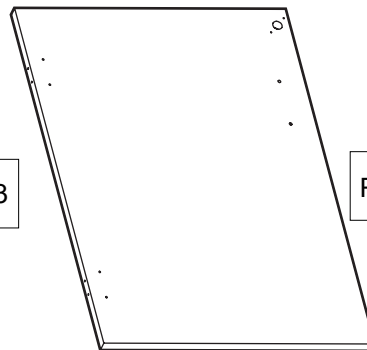
J (2 ea)

Divider	01050144
---------	----------



L (1 ea)

Left Door	01050173
-----------	----------



M (1 ea)

Right Door	01050173
------------	----------

HARDWARE



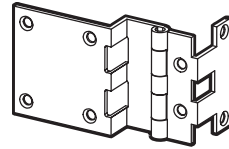
H1	Minifix Cam	908810	28
----	-------------	--------	----



H2	Wood Dowel	195000	20
----	------------	--------	----



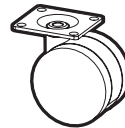
H3	Minifix Bolt	909834	28
----	--------------	--------	----



H4	Hinge	H0523	4
----	-------	-------	---



H5	#8 x 5/8" Flathead Screw	H2040	32
----	--------------------------	-------	----



H6	Swivel Caster	402640	4
----	---------------	--------	---



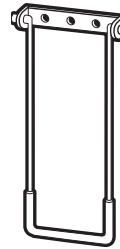
H7	Long Machine Screw	902201	16
----	--------------------	--------	----



H8	Nylok Nut	904420	16
----	-----------	--------	----



H9	Barrel Nut	902200	3
----	------------	--------	---



H10	Pull Handle	490670	1
-----	-------------	--------	---



H11	Short Machine Screw	901303	3
-----	---------------------	--------	---



H12	Door Bumper	298032	4
-----	-------------	--------	---



H16	Door Pull	400870	2
-----	-----------	--------	---



H20	Panel Clip	H0981	84
-----	------------	-------	----



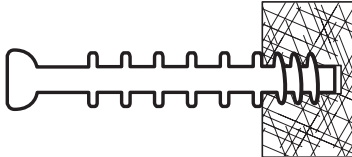
H17	1" Washerhead Screw	920200	4
-----	---------------------	--------	---

<p>Catch Plate 1 ea.</p> <p>H13</p>	<p>Door Plate 1 ea.</p> <p>H19</p>	<p>Lock and Key Set 1 ea.</p> <p>H18</p>	<p>#6-3/4" Panhead 2 ea.</p> <p>H14</p>	<p>#8-5/8" Panhead 4 ea.</p> <p>H15</p>	<p>Lockset 250-HP</p>	<p>1 set</p>
---	--	--	---	---	------------------------------	--------------

Using the Minifix System:

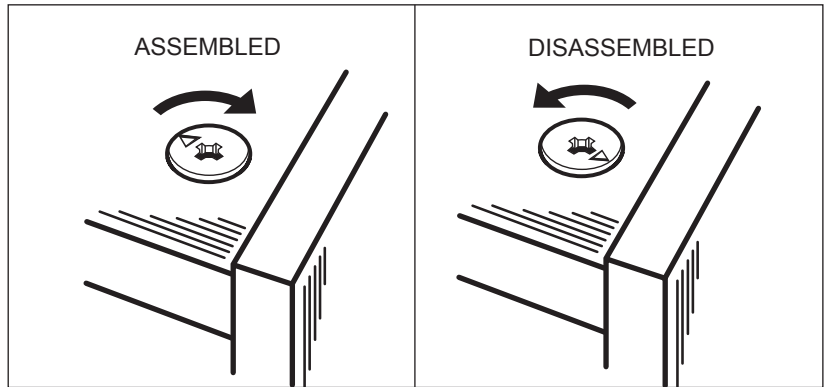
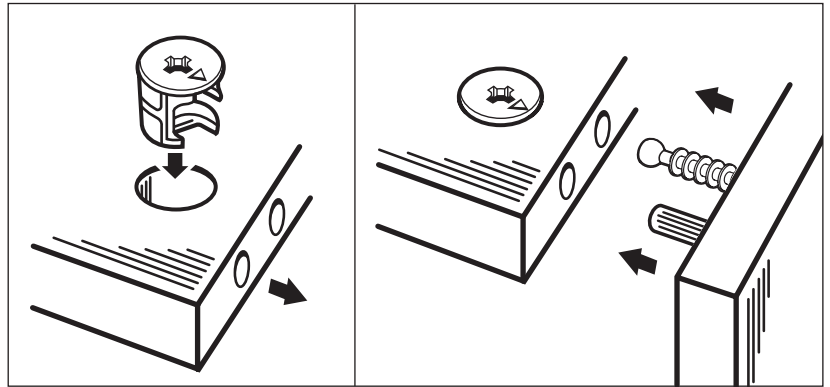
Insert the Minifix Cams into the appropriate holes with the arrow facing outwards as shown.

When screwing post into hole, **Do Not** over tighten. Screw post down until bottom face of post flange just touches board surface.



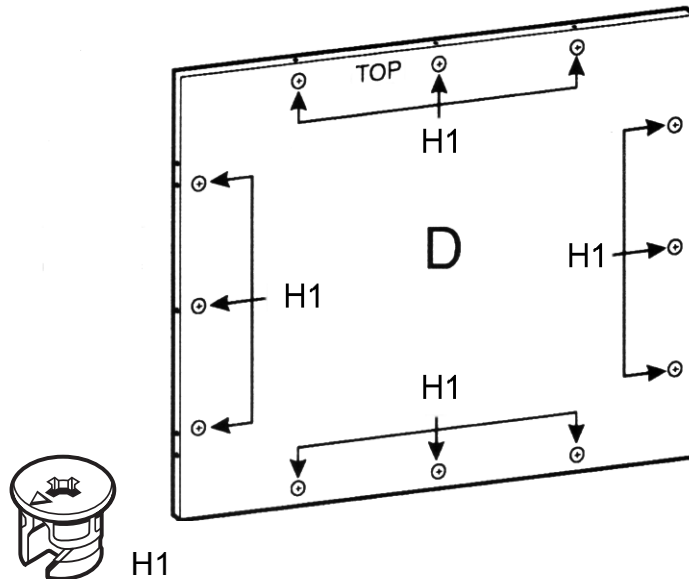
Using the #2 Phillips screwdriver, rotate the Cam Devices a half turn clockwise until snug.

To disassemble, turn the Cam Devices counter-clockwise and remove panels.



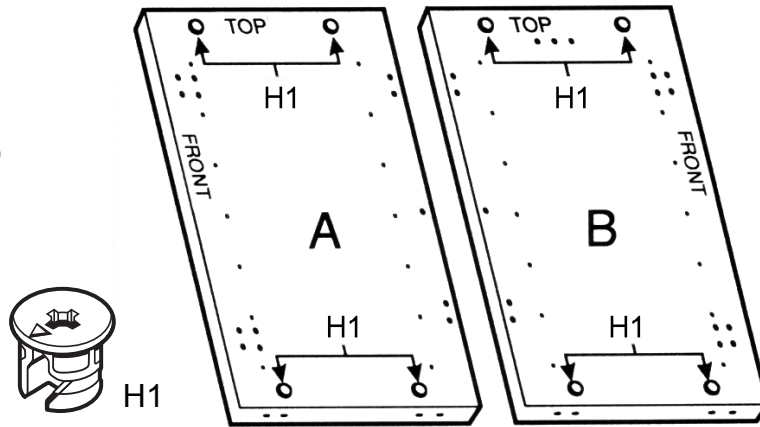
#1

Insert twelve Minifix Cams (H1) into the Back (D) with the arrows of the cams facing out.



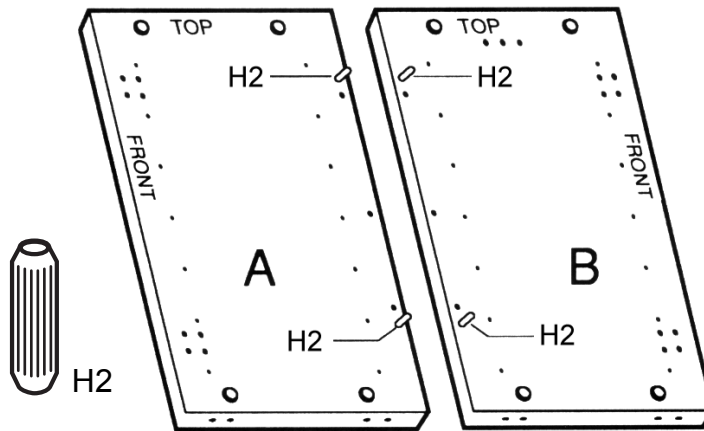
#2

Insert four Minifix Cams (H1) into the Left Side (A) and the Right Side (B) with the arrows of the cams facing out.



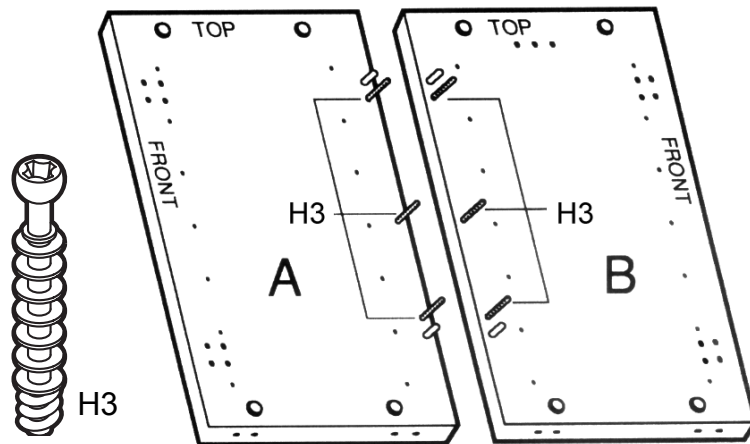
#3

Insert two Dowels (H2) into each Side (A & B) where indicated.



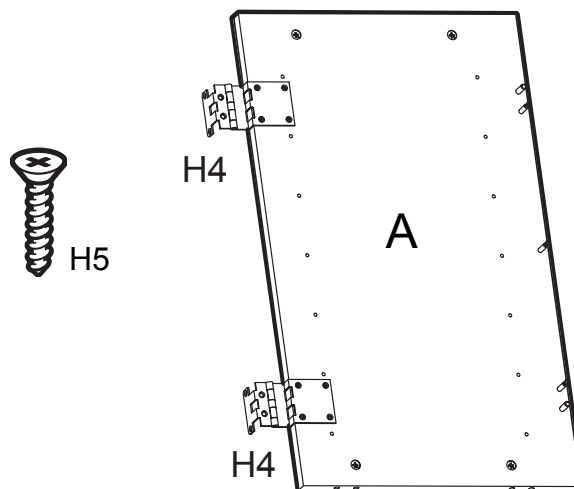
#4

Screw three Minifix Bolts (H3) into each Side (A & B) where indicated.



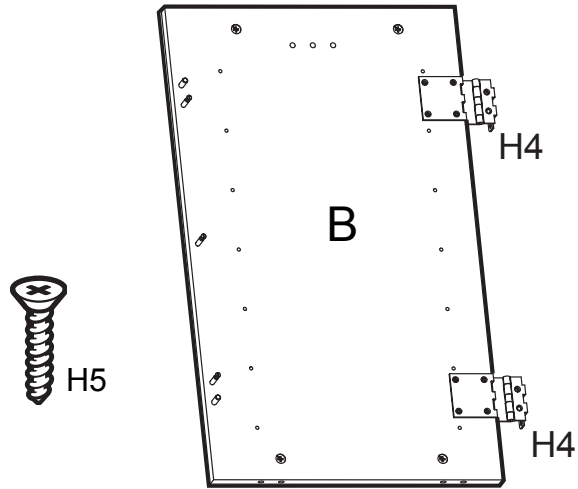
#5

Screw the Hinges (H4) to the Left Side (A) using eight #8 x 5/8" Flathead Screws (H5) in the pre-drilled holes.



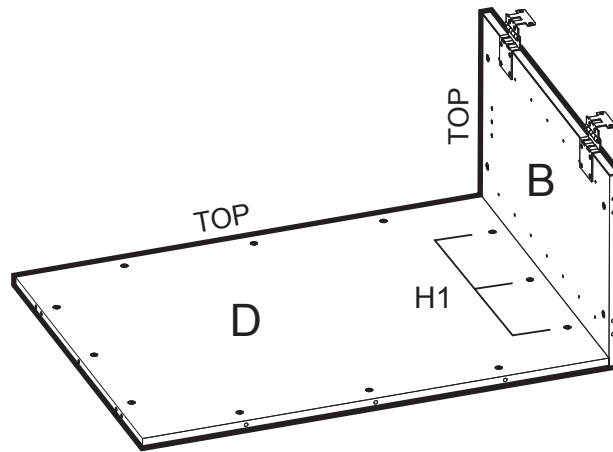
#6

Screw the Hinges (H4) to the Right Side (B) using eight 8 x 5/8" Screws (H5) in the pre-drilled holes.



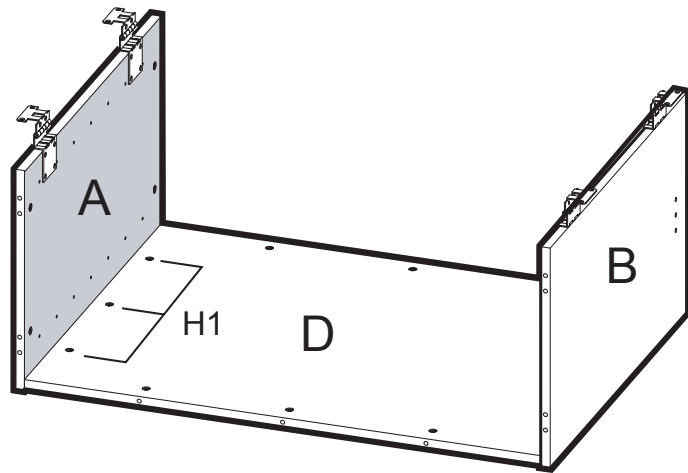
#7

Attach the Back (D) to the Right Side (B) making sure the position of the top edges are located as shown. Turn the Minifix Cams (H1) clockwise to secure.



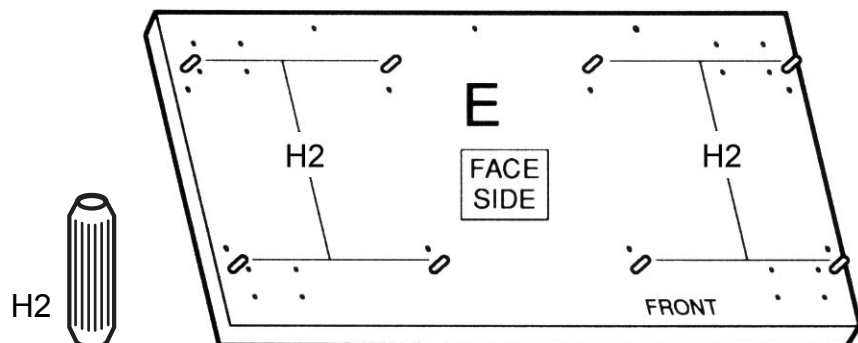
#8

Attach the Back (D) to the Left Side (A) making sure the position of the top edges are located as shown. Turn the Minifix Cams (H1) clockwise to secure.



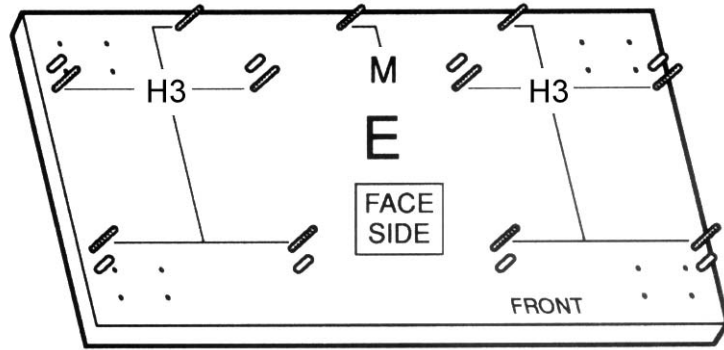
#9

Place the Bottom (E) face-side-up as shown. Insert eight Dowels (H2) where indicated.



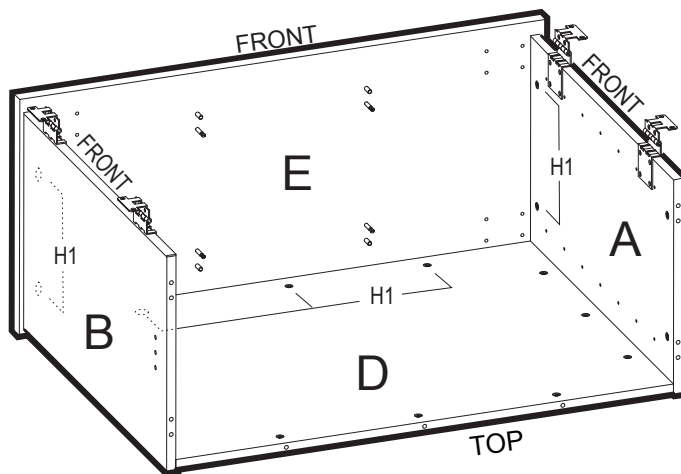
#10

Screw eleven Minifix Bolts (H3) into the Bottom (E) where indicated.



#11

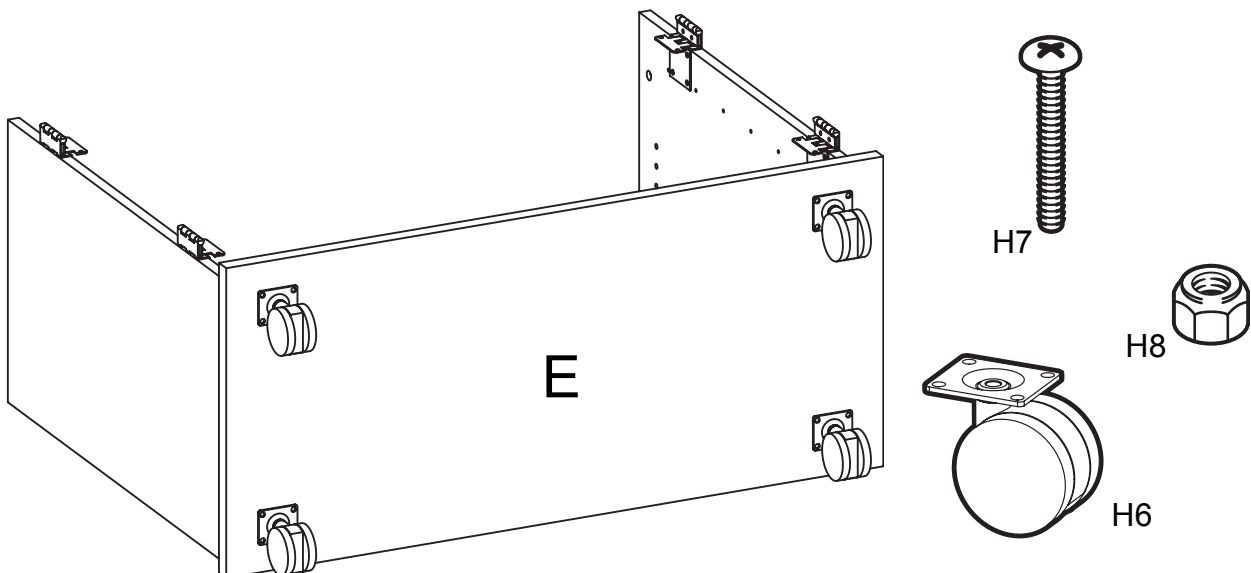
Place the Bottom (E) with the front edge as shown onto the assembly. Turn the Minifix Cams (H1) of the Left Side (A), Right Side (B), and Back (D) clockwise to secure.



#12

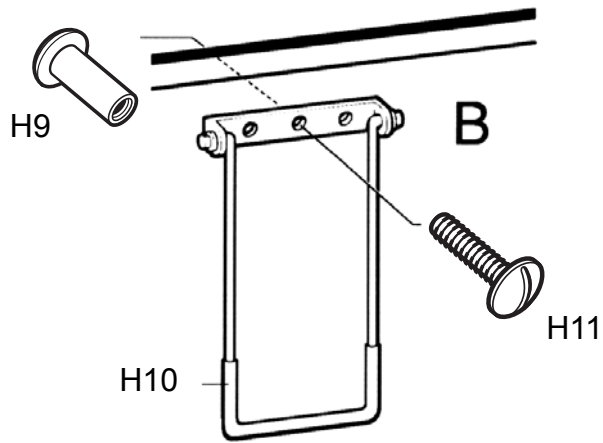
Attach to the underside of the Bottom (E) four Swivel Casters (H6). Use Long Machine Screws (H7) passed through the panel and secured with Nylok Nuts (H8) as shown. Tighten with the use of a Phillips screwdriver and a 7/16" wrench.

Stand the unit upright for further assembly.



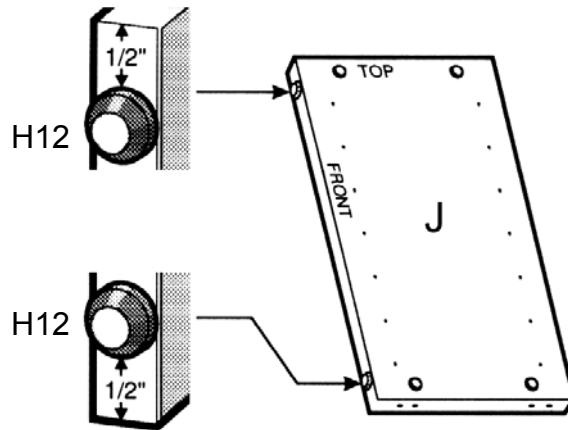
#13

Insert three Barrel Nuts (H9) into the backside of Right Side (B). Attach the Pull Handle (H10) to the Right Side using three Short Machine Screws (H11) as shown.



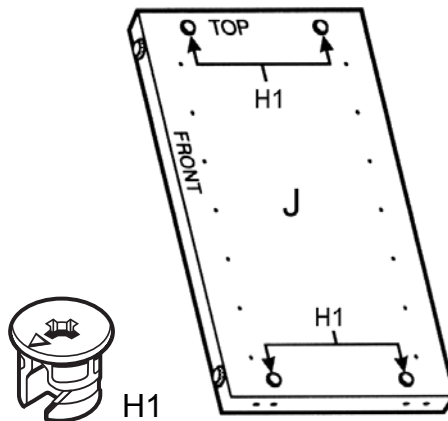
#14

Remove the backing from the adhesive side of the Door Bumpers (H12). Attach to the front edge of the Dividers (J) in the approximate locations shown.



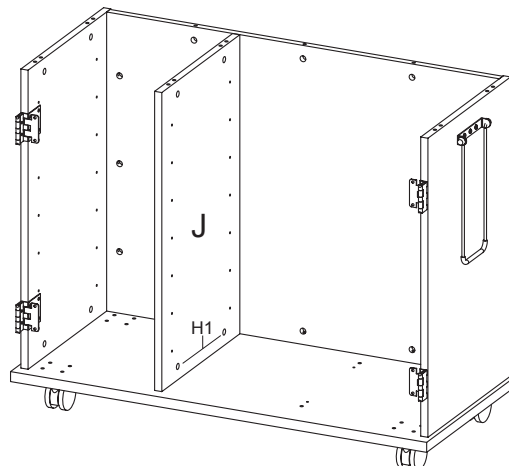
#15

Insert four Minifix Cams (H1) into each Divider (J) with the arrows of the cams facing out.



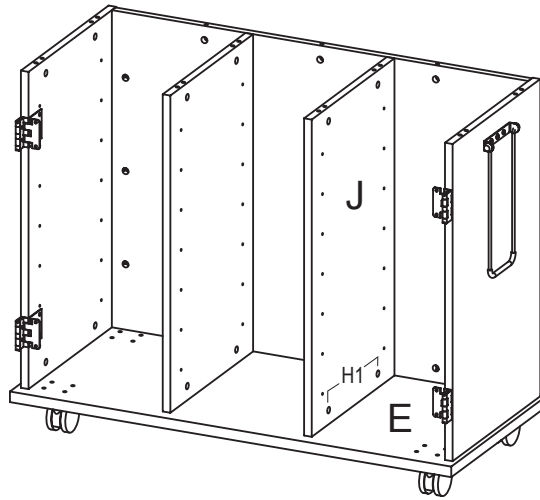
#16

Position one of the Dividers (J) onto the bolts and dowels of the Bottom (E) as shown. Secure in place by turning the cams (H1) clockwise.



#17

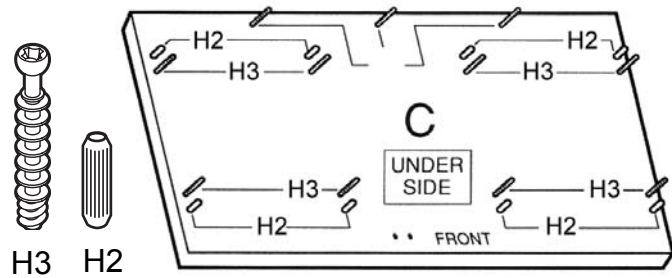
Position the other Divider (J) onto the bolts and dowels of the Bottom (E) as shown with the cams (H1) facing the first Divider. Turn the cams clockwise to secure in place.



#18

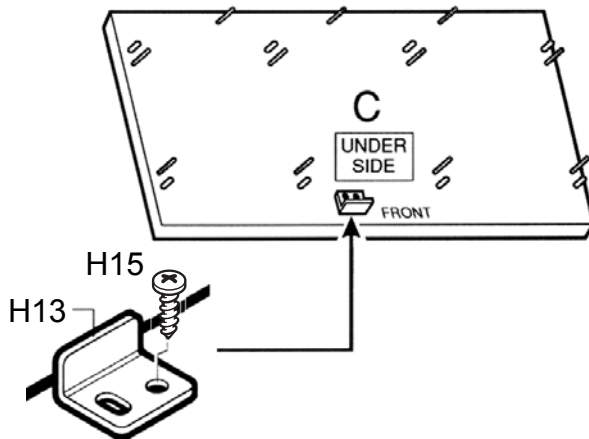
Place the Top (C) underside-up as shown. Insert eight Dowels (H2) where indicated.

Screw eleven Minifix Bolts (H3) into the Top where indicated.



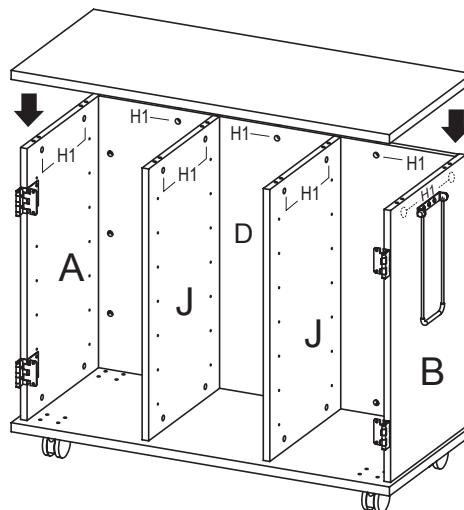
#19

Attach a Catch Plate (H13) to the Top (C) as shown using two #8x5/8" Panhead Screws (H15).



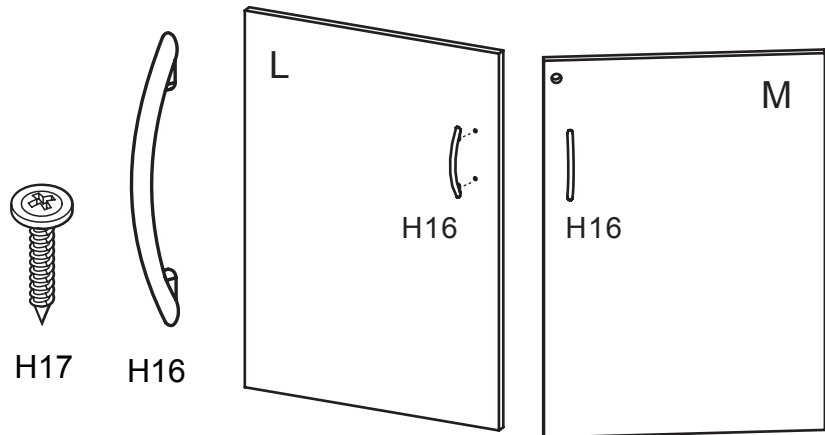
#20

Position the bolts and dowels of the Top (C) into the cams of the Left Side (A), Right Side (B), Back (D), and Dividers (J) as shown. Turn the cams (H1) clockwise to secure in place.



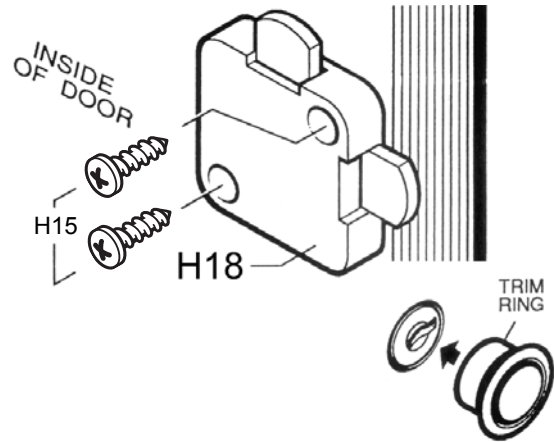
#21

Attach a Door Pull (H16) to the Left Door (L) and the Right Door (M) using 1" Washerhead Screws (H17).



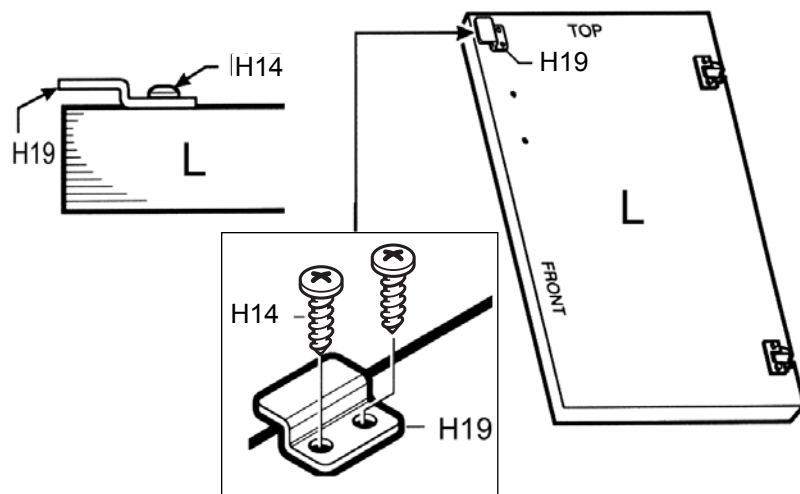
#22

Position the Lock (H18) onto the inner side of the Right Door (M) oriented as shown. Secure the Lock (H18) in place using two #6 x 3/4" Panhead Screws (H14) into the pre-drilled holes of the Right Door. Press the trim ring of the lock over the keyhole portion of the lock on the opposite side of the Right Door as shown.



#23

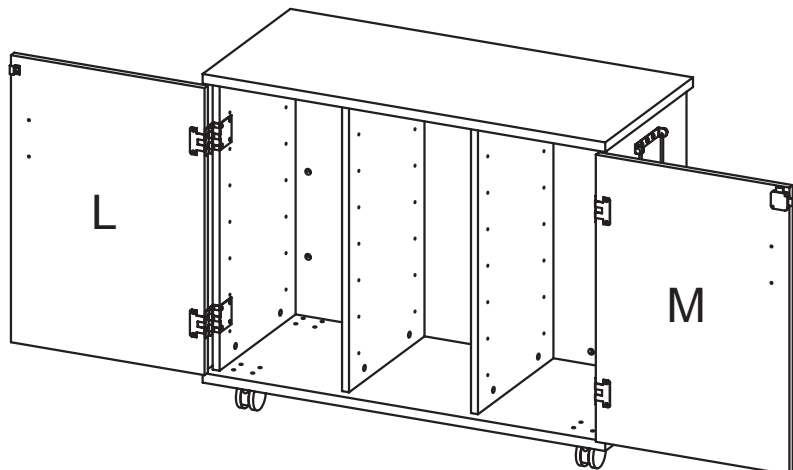
Attach a Door Plate (H19) to the Left Door (L) using two #8x5/8" Panhead Screws (H15) as shown.



#24

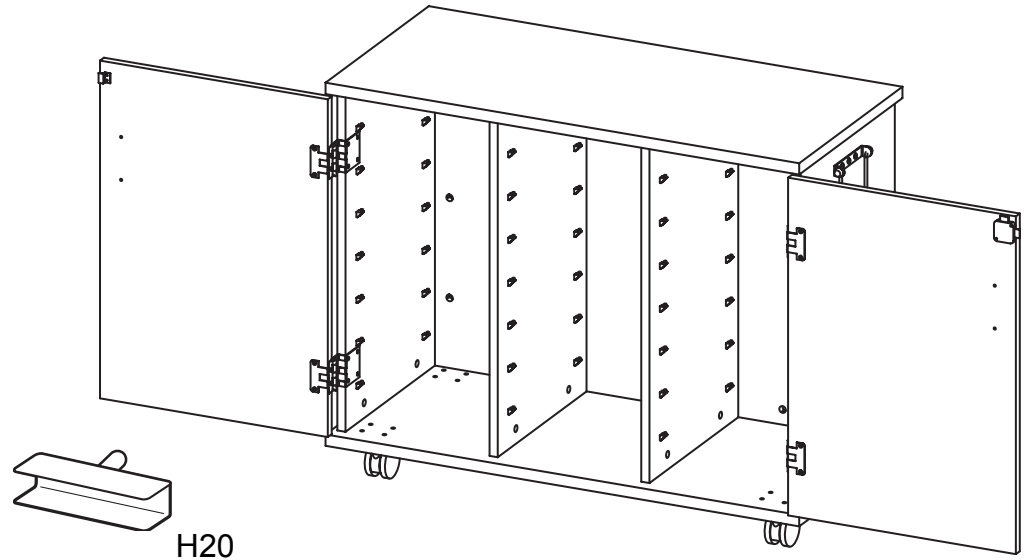
Attach the Left Door (L) to the Left Side (A) as shown using eight #8 x 5/8" Flathead Screws (H5).

Attach the Right Door (M) to the Right Side (B) as shown using eight #8 x 5/8" Flathead Screws (H5).



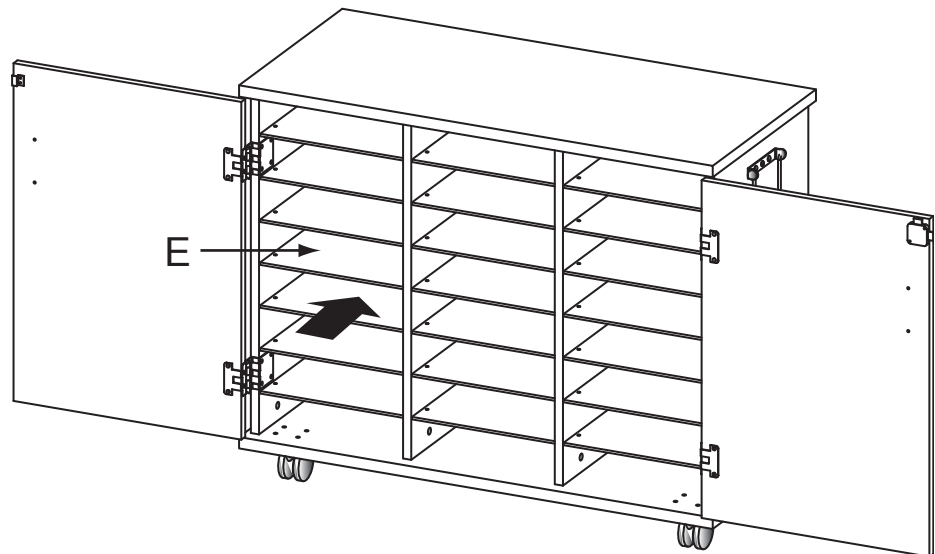
#25

Insert Panel Clips (H20) until completely seated into the pre-drilled holes of the Sides (A & B) and the Dividers (J) as shown.



#26

Place the Adjustable Shelves (E) into the posts of the Panel Clips (H20) as shown.



#27

Your Glacier Laptop Storage Cart is now fully assembled and ready for use.

