



Operating Instructions and Parts Manual Dust Collector

Models: DC-650BK, DC-650CK, DC-650MK



DC-650BK shown



DC-650CK shown

JET
427 New Sanford Road
LaVergne, Tennessee 37086
Ph.: 800-274-6848
www.jettools.com

Part No. M-708642
Revision D1 05/2015
Copyright © 2015 JET

Warranty and Service

JET, Wilton and Powermatic warrants every product they sell against manufacturers' defects. If one of our tools needs service or repair, please contact Technical Service by calling 1-800-274-6846, 8AM to 5PM CST, Monday through Friday

Warranty Period

The general warranty lasts for the time period specified in the literature included with your product or on the official JET, Wilton or Powermatic branded websites.

- JET, Wilton and Powermatic products carry a limited warranty which varies in duration based upon the product. (See chart below)
- Accessories carry a limited warranty of one year from the date of receipt.
- Consumable items are defined as expendable parts or accessories expected to become inoperable within a reasonable amount of use and are covered by a 90 day limited warranty against manufacturer's defects.

Who is Covered

This warranty covers only the initial purchaser of the product from the date of delivery.

What is Covered

This warranty covers any defects in workmanship or materials subject to the limitations stated below. This warranty does not cover failures due directly or indirectly to misuse, abuse, negligence or accidents, normal wear-and-tear, improper repair, alterations or lack of maintenance. JET woodworking machinery is designed to be used with Wood. Use of these machines in the processing of metal, plastics, or other materials outside recommended guidelines may void the warranty. The exceptions are acrylics and other natural items that are made specifically for wood turning.

Warranty Limitations

Woodworking products with a Five Year Warranty that are used for commercial or industrial purposes default to a Two Year Warranty. Please contact Technical Service at 1-800-274-6846 for further clarification.

How to Get Technical Support

Please contact Technical Service by calling 1-800-274-6846. **Please note that you will be asked to provide proof of initial purchase when calling.** If a product requires further inspection, the Technical Service representative will explain and assist with any additional action needed. JET, Wilton and Powermatic have Authorized Service Centers located throughout the United States. For the name of an Authorized Service Center in your area call 1-800-274-6846 or use the Service Center Locator on the JET, Wilton or Powermatic website.

More Information

JET, Wilton and Powermatic are consistently adding new products. For complete, up-to-date product information, check with your local distributor or visit the JET, Wilton or Powermatic website.

How State Law Applies

This warranty gives you specific legal rights, subject to applicable state law.

Limitations on This Warranty

JET, WILTON AND POWERMATIC LIMIT ALL IMPLIED WARRANTIES TO THE PERIOD OF THE LIMITED WARRANTY FOR EACH PRODUCT. EXCEPT AS STATED HEREIN, ANY IMPLIED WARRANTIES OF MERCHANTABILITY AND FITNESS FOR A PARTICULAR PURPOSE ARE EXCLUDED. SOME STATES DO NOT ALLOW LIMITATIONS ON HOW LONG AN IMPLIED WARRANTY LASTS, SO THE ABOVE LIMITATION MAY NOT APPLY TO YOU.

JET, WILTON AND POWERMATIC SHALL IN NO EVENT BE LIABLE FOR DEATH, INJURIES TO PERSONS OR PROPERTY, OR FOR INCIDENTAL, CONTINGENT, SPECIAL, OR CONSEQUENTIAL DAMAGES ARISING FROM THE USE OF OUR PRODUCTS. SOME STATES DO NOT ALLOW THE EXCLUSION OR LIMITATION OF INCIDENTAL OR CONSEQUENTIAL DAMAGES, SO THE ABOVE LIMITATION OR EXCLUSION MAY NOT APPLY TO YOU.

JET, Wilton and Powermatic sell through distributors only. The specifications listed in JET, Wilton and Powermatic printed materials and on official JET, Wilton and Powermatic-branded websites are given as general information and are not binding. JET, Wilton and Powermatic reserve the right to effect at any time, without prior notice, those alterations to parts, fittings, and accessory equipment which they may deem necessary for any reason whatsoever. JET® branded products are not sold in Canada by JPW Industries, Inc.

Product Listing with Warranty Period

90 Days – Parts; Consumable items; Light-Duty Air Tools
1 Year – Motors; Machine Accessories; Heavy-Duty Air Tools; Pro-Duty Air Tools
2 Year – Metalworking Machinery; Electric Hoists, Electric Hoist Accessories
5 Year – Woodworking Machinery
Limited Lifetime – Wilton branded products; JET Parallel clamps; VOLT Series Electric Hoists; Manual Hoists; Manual Hoist Accessories; Shop Tools; Warehouse & Dock products; Hand Tools

NOTE: JET, Wilton and Powermatic are divisions of JPW Industries, Inc.. References in this document to JET, Wilton and/or Powermatic also apply to JPW Industries, Inc., or any of its successors in interest to the JET, Wilton and/or Powermatic brands.

Table of Contents

Warranty and Service.....	2
Table of Contents.....	3
Warnings	4
Introduction.....	5
Specifications.....	6
Unpacking.....	7
Shipping Contents.....	7
Bag Filter Kits.....	7
Base Unit	7
Canister Filter Kit.....	7
Tools Required for Assembly.....	7
Base Unit Assembly.....	8
Motor Housing and Support Cylinder	8
Base Assembly.....	8
Mounting the Support Canister to Base.....	8
Mounting the Inlet Guard Assembly	9
Filter Bag Kit Assembly.....	9
Filter Bag Installation	9
Collector Bag Installation (30 Micron Kit).....	9
Collector Bag Installation (5 Micron Kit).....	9
Canister Kit Assembly	10
Canister Filter Installation	10
Collector Bag Installation	10
Electrical Connections.....	11
Turning the Machine On & Off.....	11
All Models.....	11
Remote Control (Optional).....	11
Dust Collector RF Remote Power Control (<i>Optional</i>)	11
Turning the DC-RC On & Off	11
Changing Operating Frequency	12
Installing the DC-RC Remote Power Control.....	12
Maintenance	13
Cleaning the Filter Bag – DC-650BK/MK.....	13
Removing the Collector Bag – DC-650BK.....	13
Cleaning the Filter – DC-650CK.....	13
Removing the Collector Bag – DC-650CK and DC-650MK.....	13
Motor.....	13
Connecting the Dust Collector to a Machine.....	13
Grounding the Dust Collection System.....	13
Parts.....	14
Replacement Parts.....	14
Parts List – Base Machine	14
Parts Breakdown – Base Machine	15
Canister Filter Assembly.....	16
30 Micron Filter Bag Assembly	17
5 Micron Filter Bag Assembly	18
Wiring Diagrams for DC-650	19



Warnings

1. Read and understand the entire owner's manual before attempting assembly or operation.
2. Read and understand the warnings posted on the machine and in this manual. Failure to comply with all of these warnings may cause serious injury.
3. Replace the warning labels if they become obscured or removed.
4. This dust collector is designed and intended for use by properly trained and experienced personnel only. If you are not familiar with the proper and safe operation of a dust collector, do not use until proper training and knowledge have been obtained.
5. Do not use this dust collector for other than its intended use. If used for other purposes, JET disclaims any real or implied warranty and holds itself harmless from any injury that may result from that use.
6. Always wear approved safety glasses/face shields while using this dust collector. Everyday eyeglasses only have impact resistant lenses; they are not safety glasses.
7. Before operating this dust collector, remove tie, rings, watches and other jewelry, and roll sleeves up past the elbows. Remove all loose clothing and confine long hair. Non-slip footwear or anti-skid floor strips are recommended. Do **not** wear gloves.
8. Wear ear protectors (plugs or muffs) during extended periods of operation.
9. Some dust created by power sanding, sawing, grinding, drilling and other construction activities contain chemicals known to cause cancer, birth defects or other reproductive harm. Some examples of these chemicals are:
 - Lead from lead based paint.
 - Crystalline silica from bricks, cement and other masonry products.
 - Arsenic and chromium from chemically treated lumber.Your risk of exposure varies, depending on how often you do this type of work. To reduce your exposure to these chemicals, work in a well-ventilated area and work with approved safety equipment, such as face or dust masks that are specifically designed to filter out microscopic particles.
10. Do not operate this machine while tired or under the influence of drugs, alcohol or any medication.
11. Make certain the switch is in the **OFF** position before connecting the machine to the power supply.
12. Make certain the machine is properly grounded.
13. Make all machine adjustments or maintenance with the machine unplugged from the power source.
14. Remove adjusting keys and wrenches. Form a habit of checking to see that keys and adjusting wrenches are removed from the machine before turning it on.
15. Keep safety guards in place at all times when the machine is in use. If removed for maintenance purposes, use extreme caution and replace the guards immediately.
16. Check damaged parts. Before further use of the machine, a guard or other part that is damaged should be carefully checked to determine that it will operate properly and perform its intended function. Check for alignment of moving parts, binding of moving parts, breakage of parts, mounting and any other conditions that may affect its operation. A guard or other part that is damaged should be properly repaired or replaced.
17. Provide for adequate space surrounding work area and non-glare, overhead lighting.
18. Keep the floor around the machine clean and free of scrap material, oil and grease.
19. Keep visitors a safe distance from the work area. **Keep children away.**



Warnings

20. Make your workshop child proof with padlocks, master switches or by removing starter keys.
21. Give your work undivided attention. Looking around, carrying on a conversation and “horse-play” are careless acts that can result in serious injury.
22. Do not use the dust collector for anything except wood dust. Materials such as liquids, metal shavings, metal dust, screws, glass, plastic or rock can cause sparks and/or damage when coming into contact with any part of the dust collector.
23. Use recommended accessories; improper accessories may be hazardous.
24. Maintain tools with care. Follow instructions for lubricating and changing accessories.
25. Turn off the machine before cleaning. Use a brush or compressed air to remove chips or debris — do not use your hands.
26. Do not stand on the machine. Serious injury could occur if the machine tips over.
27. Never leave the machine running unattended. Turn the power off and do not leave the machine until it comes to a complete stop.
28. Remove loose items and unnecessary work pieces from the area before starting the machine.
29. Never place hands near the inlet of the machine.
30. Always make certain machine is off and unplugged when making any connections to the inlet.

Familiarize yourself with the following safety notices used in this manual:

CAUTION This means that if precautions are not heeded, it may result in minor injury and/or possible machine damage.

WARNING This means that if precautions are not heeded, it may result in serious injury or possibly even death.

- - SAVE THESE INSTRUCTIONS - -

Introduction

This manual is provided by JET covering the safe operation and maintenance procedures for models DC-650 Series Dust Collectors. This manual contains instructions on installation, safety precautions, general operating procedures, maintenance instructions and parts breakdown. This machine has been designed and constructed to provide years of trouble free operation if used in accordance to instructions set forth in this manual. If there are any questions or comments, please contact either your local supplier or JET. JET can also be reached at our website: www.jettools.com

WARNING Read and understand the entire contents of this manual before attempting set-up or operation! Failure to comply may cause serious injury.

Specifications

Base Machine with 30 micron Filter Bag Kit.....	708642BK
Base Machine with 5 micron Filter Bag Kit.....	708642MK
Base Machine with Canister Kit.....	708642CK

Base Machine (All Models):

Model.....	DC-650M
Stock Number	708642
Blower Wheel Diameter (in.).....	9-1/2
Sound Rating at 3 feet.....	65-70 dB
Hose Diameter (in.)	4
Air Flow at 4" (CFM):.....	650
Max. Static Pressure (inch of water):	6.5
Velocity at 4" (FPM)	6300
Motor	TEFC, 1 HP, 1Ph, 115V/230V, Prewired 115V, 60Hz, 7/3.5A
Switch.....	paddle style, removable safety key

30 Micron Filter Bag Kit:

Stock Number	708642B
Filter Bag Efficiency	96% of 30 micron particles
Filter Bag Length (in.).....	24
Filter and Collector Bag Diameter (in.).....	14
Collector Bag Length (in.).....	23
Collector Bag Capacity (cu. ft.).....	2.1

5 Micron Filter Bag Kit:

Stock Number	708642MF
Filter Bag Efficiency	98% of 5 micron particles; 92% of 3 micron; 74% of 1micron
Filter Bag Length (in.).....	24
Filter and Collector Bag Diameter (in.).....	14
Collector Bag Length (in.).....	23
Collector Bag Capacity (cu. ft.).....	2.1

Canister Filter Kit:

Stock Number	708737C
Canister Efficiency	86% of 1 micron particles; 98% of 2 micron particles
Canister Length (in.).....	25
Collector Bag Diameter (in.)	14
Collector Bag Length (in.).....	23
Collector Bag Capacity (cu. ft.).....	2.1

Model	DC-650BK	DC-650MK	DC-650CK
Overall Dimensions (in.)	27L x 14W x 66H.....	27L x 14W x 66H.....	27L x 14W x 61H
Net Weight (lbs)	62.....	62.....	70
Gross weight (lbs).....	74.....	74.....	87

RF Remote Control Unit (Optional Accessory)

Stock Number (Main unit and transmitter) (115V only).....	708636C
Stock Number (Transmitter only).....	708636T

The above specifications were current at the time this manual was published, but because of our policy of continuous improvement, JET reserves the right to change specifications at any time and without prior notice, without incurring obligations.

Unpacking

The table below lists the shipping cartons that are included with the models of the DC-650 Dust Collector.

1. Locate your particular model and verify that you have received the all the correct cartons.
2. Check contents of each carton against the shipping content listings on this and the following page.
3. Report any damage to your distributor.
4. Do not discard any shipping material until after the dust collector has been assembled and is running properly.

	Base Unit (Stock No 708642)	Filter Bag Kit (Stock No 708642B)	Filter Bag Kit (Stock No 708642MF)	Canister Filter Kit (Stock No 708737C)
DC-650BK	x	x		
DC-650CK	x			x
DC-650MK	x		x	

Table – DC-650 Dust Collector cartons

Shipping Contents

Bag Filter Kits

(Stock No. 708642B):

- 1 – Collector Bag
- 1 – Filter Bag
- 1 – Retaining Strap
- 1 – Filter Bag Support Rod
- 1 – Hardware Bag (Stock No DC650-FHP)
 - 1 – M6 Hex Nut
 - 1 – M6 Flat Washer
 - 1 – M6 Lock Washer

(Stock No. 708642MF):

- 1 – Collector Bag
- 1 – Snap Ring
- 1 – Filter Bag
- 1 – Retaining Strap
- 1 – Filter Bag Support Rod
- 1 – Hardware Bag (Stock No DC650-FHP)
 - 1 – M6 Hex Nut
 - 1 – M6 Flat Washer
 - 1 – M6 Lock Washer

Shipping Contents (cont)

Base Unit

(Stock No 708642)

- 1 – Base
- 1 – Impeller Housing/Motor Assembly
- 1 – Motor Cooling Fan
- 2 – Fixed Casters
- 2 – Pivoting Casters
- 1 – Support Cylinder
- 1 – Inlet Guard Assembly
- 1 – Owner's Manual
- 1 – Warranty Card
- 1 – Hardware Bag (Stock No DC650-HP)
 - 4 – M6 x 12 Cap Screws
 - 4 – M6 Lock Washers
 - 4 – M6 Flat Washers
 - 2 – 3/8"-16 Acorn Nuts
 - 2 – 3/8" Hex Nuts
 - 4 – M10 Flat Washers
 - 4 – M8 x 12 Cap Screws
 - 4 – M8 Flat Washers
 - 1 – 5mm Hex Wrench

Canister Filter Kit

(Stock No 708737C)

- 1 – Canister Filter
- 1 – Handle
- 1 – Arm
- 5 – Collector Bags
- 1 – Snap Ring
- 1 – Hardware Bag (Stock No DC650-CHP)
 - 2 – M10 Hex Nuts
 - 2 – M10 Flat Washers
 - 1 – M10 Lock Washer
 - 4 – Knobs
 - 1 – M8 Hex Nut
 - 1 – M8 Flat Washer
 - 1 – M8 Lock Washer

Tools Required for Assembly

- 2 14mm Wrenches or Sockets
- 2 13mm Wrenches or Sockets
- 2 10mm Wrench or Socket
- 1 17mm Wrench (for Canister Kit assembly)
- 1 06mm Hex Wrench
- 1 Cross-point screwdriver

Base Unit Assembly

⚠WARNING The dust collector must be disconnected from the power source during assembly. Failure to comply may result in serious injury!

Motor Housing and Support Cylinder

Referring to Figure 1:

1. Place the *impeller housing* (H) on the floor with the *motor* (G) facing upwards as shown.
2. Attach the *fan* (B) with the blades facing up to the *motor shaft* (A). Allow a 1/16"-1/8" clearance between the *fan* (B) and *housing* (F).
3. Secure the *fan* (B) by tightening the hex cap screw on the fan with a 10mm wrench.

Note: If a DC-RC Remote Power Control unit is to be installed, it should be done before proceeding with step 5. See *Installing the DC-RC Remote Power Control* on page 12 for installation instruction.

4. Attach *support cylinder* (C) to the *motor housing* (G) with three M6x16 *socket head cap screws* (E) and three M6 *flat washers* (D). Tighten with a 6mm hex wrench.

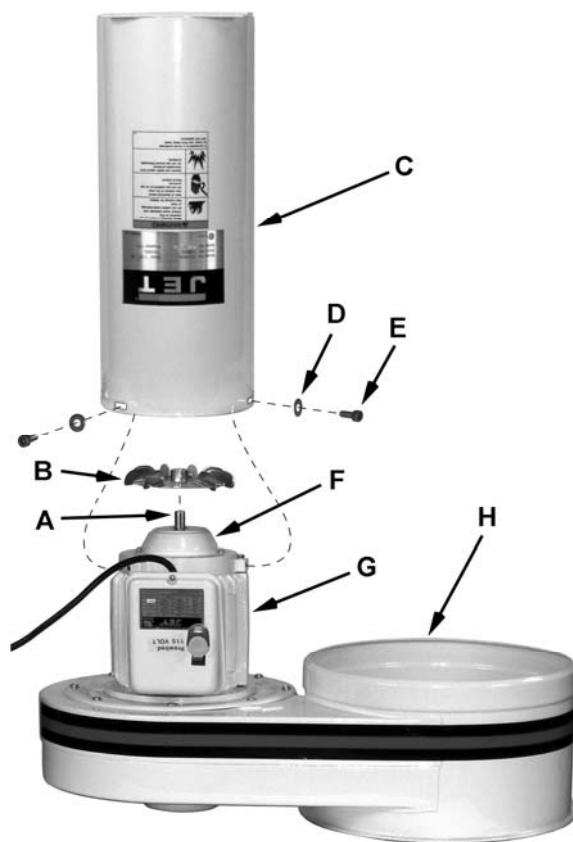


Figure 1

Base Assembly

Referring to Figure 2:

1. Mount two *fixed casters* (J) to the appropriate end of *base* (K) using four M6 *flat washers* (L), four M6 *lock washers* (M) and four M6x12 *hex cap screws* (N). Tighten with a 10mm wrench.
2. Mount two *swivel casters* (O) to the appropriate end of the base with two 3/8" *hex nuts* (P), four M10 *flat washers* (Q), and two 3/8" *acorn nuts* (R). Tighten using two 14mm wrenches.

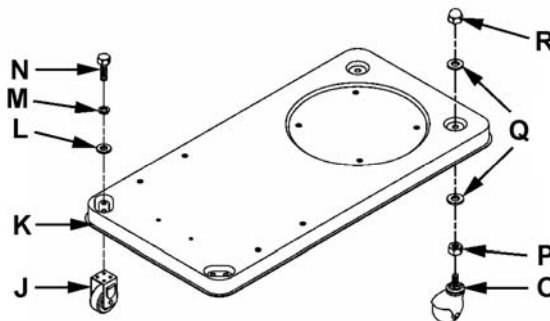


Figure 2

Mounting the Support Canister to Base

Referring to Figure 3:

1. Mount the *support cylinder* (S) to the *base* (T) with four each M8x12 *hex cap screws* and M8 *flat washers* (U).
2. Turn the dust collector over onto the casters and tighten screws with a 13mm wrench.

Note: Make sure the base and housing are relatively parallel. If not loosen the screws that secure the support cylinder to the motor and adjust as necessary. Tighten all hardware.



Figure 3

This completes the *Base Unit* assembly. If you purchased the *DC-650BK/MK Dust Collector* (filter bag), continue on the following page. If you purchased the *DC-650CK Dust Collector* (canister filter), proceed to *Canister Kit Assembly* on page 10.

Mounting the Inlet Guard Assembly

Referring to Figure 4:

1. Position the inlet guard assembly over the dust port, and push it down until the holes (V) align.
2. Insert the provided 4mm tapping screw through the holes using a screwdriver. Tighten it securely.

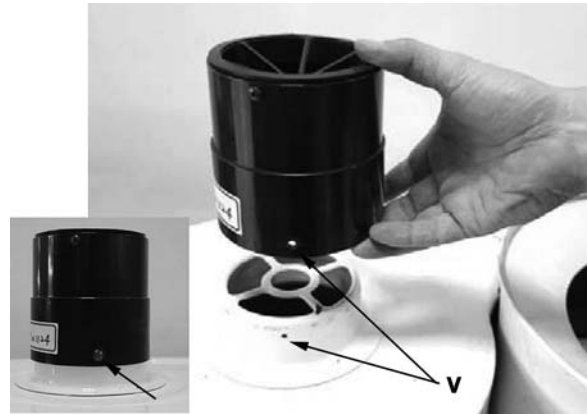


Figure 4

Filter Bag Kit Assembly

If you purchased Model DC-650BK or DC-650MK Dust Collector, this section describes the assembly and installation of the contents of the Filter Bag Kit (SN 708642B and 708642MF).

Filter Bag Installation

Referring to Figure 5:

1. Thread an M6 *hex nut* onto the filter bag *support rod* (B), followed by an M6 *flat washer* and M6 *lock washer* (A). Thread the *support rod* (B) into the motor/fan housing and tighten nut against the housing using a 10 wrench.
2. Place the *retaining strap* (C) through the loops on the filter bag and hang the filter bag from the hook.
3. Secure bag to housing with retaining strap.

Note: The retainer strap should be tight enough to provide a good seal.

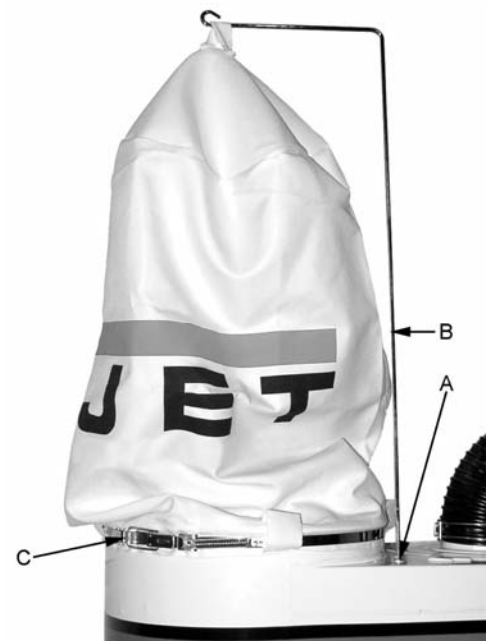


Figure 5

Collector Bag Installation (30 Micron Kit)

1. Insert the *snap ring* of *collector bag* into the bottom of *housing* at an angle (Figure 5).
2. Pull down on the ring and bag to make sure it "seats" in the housing.

Collector Bag Installation (5 Micron Kit)

The 5-Micron Filter Bag Kit includes clear plastic collector bags. Refer to Figures 8 and 9 on the next page, along with the accompanying instructions, to install these.

After completing the filter bag and collector bag installation, proceed to *Electrical Connections*.



Figure 6

Canister Kit Assembly

If you purchased Model DC-650CK Dust Collector, this section describes the assembly and installation of the contents of the Canister Kit (SN 708737C).

Canister Filter Installation

Referring to Figure 7:

1. Place the canister filter so that it fits snugly over the housing and tighten the four *knobs* (A).
2. Mount *handle* (B) to the *arm* (C) with an M8 *flat washer* (D), M8 *lock washer* (E) and M8 *hex nut* (F).
3. Thread an M10 *hex nut* (G) onto the threaded rod found on top of the canister filter followed by an M10 *lock washer* (H), and M10 *flat washer* (I).
4. Mount the *arm* (C) to the threaded rod on top of canister with one M10 *flat washer* (J), and M10 *hex nut* (K).

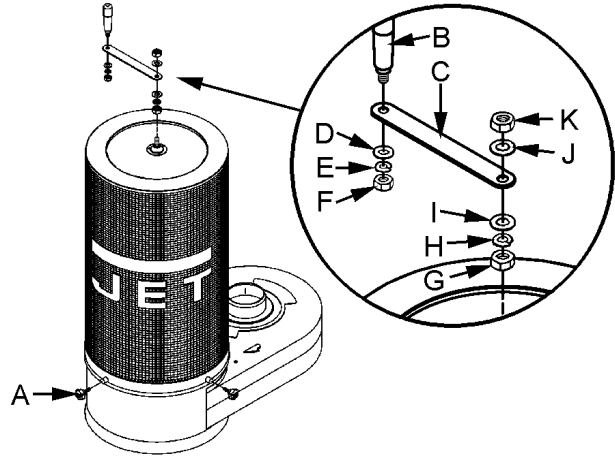


Figure 7

Collector Bag Installation

1. Place the *snap ring* (K, Fig. 8) over the top of *plastic bag* (L, Fig. 8) and fold over the bag approximately three inches.
2. Insert the snap ring of the collector bag into the bottom of the housing at an angle, see Figure 9.
3. Pull down on the ring to make sure it “seats” in the housing.

Note: Make sure the snap ring “snaps” into place in the housing, and also that the plastic bag hangs down approximately 3” so that there are no air leaks.



Figure 8



Figure 9

Electrical Connections

⚠WARNING All electrical connections must be done by a qualified electrician. All adjustments or repairs must be done with the dust collector disconnected from the power source, unplugged. Failure to comply may result in serious injury!

The DC-650 (all models) dust collectors are rated at **115/230V, Prewired 115V**. Use a plug and outlet rated at least 20 amps. The circuit for the machine should also be protected by at least a 20 amp circuit breaker or fuse. Keep in mind that a circuit being used by other machines, tools, lights, heaters, etc. at the same time will add to the electrical load.

A dedicated circuit to the dust collector will give you the best results since dust collectors are generally used at the same time other tools are running.

Turning the Machine On & Off

⚠WARNING This machine is intended for indoor use only.

All Models

Before hooking up to the power source, make sure that the switch is in the off position.

Turn the dust collector on by pulling up on the paddle switch. Push switch down to stop the dust collector. The switch has a removable safety key (Figure 10) to prevent unauthorized operation of the machine. Pull out the key and store in a safe place. Key must be reinserted to operate dust collector.

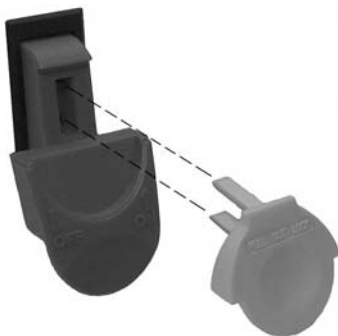


Figure 10

Remote Control (Optional)

The DC-RC RF Remote Power Control unit is available as an optional accessory (contact your JET dealer or Customer Service by calling the number on the cover).

Important: The DC-RC Remote Power Control (SN 708636C) can be used for activating Dust Collection units powered by 115V *only* up to 1-1/2HP. If your dust collector is currently set up for 230V operation or

you choose to convert it to 230V at a later time, you must purchase the DC-RC230 Remote Power Control unit (SN 708636D).

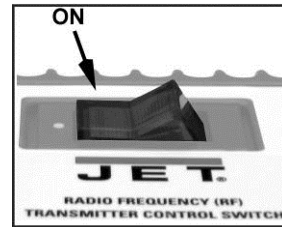


Figure 11A

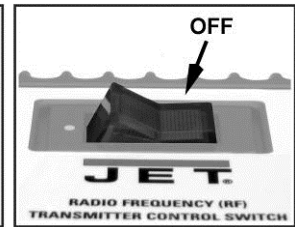


Figure 11B

Dust Collector RF Remote Power Control (Optional)

The DC-RC Remote Power Control (Figure 12) should be used for activating Dust Collection units powered by 115V only up to 1-1/2HP. The DC-RC Remote Power Control unit is rated at 115V, Single Phase only. Use an outlet rated at least 20amps. The circuit for the device being controlled by the DC-RC should also be protected by at least a 20 amp circuit breaker or fuse.

Before hooking up to the power source, make sure that the switch is initially in the off position on both the dust collector and remote control unit (Figure 13).



Figure 12

Turning the DC-RC On & Off

⚠WARNING This machine is intended for indoor use only.

1. Plug the dust collector into the *main unit* (Figure 12) and plug the main unit into the power outlet.

To start a machine or device:

2. Turn the machine itself on.

3. On the main unit place the switch to the *ON* position (Figure 11A). The red LED on the main unit should light up.
4. Press the button on the *remote control transmitter* (Figure 12) to turn the machine on.
5. To stop the machine, press the button on the *remote control transmitter* again.

When the machine is running, it can be stopped by placing the switch on the main unit in the off position (Figure 11B). To restart, repeat steps 3 and 4.

Changing Operating Frequency

If several devices are controlled by the same type remote control unit, each remote control unit can be set to operate at its own unique operating frequency as follows:

Referring to Figure 13:

1. Unplug the DC-RC *Remote Power Control* unit.
2. Remove the back covers of the *main unit* (A) and *remote control switch* (B).
3. Locate the *DIP switch* (C) in each unit.
4. Change the position of the DIP switches in the *main unit* (A) to any combination desired as long as they are not the same as other units that may be present and located within the radio frequency range.
5. Set the *DIP switches* (C) in the *remote control switch* (B) to match the switch settings in the *main unit* (A).

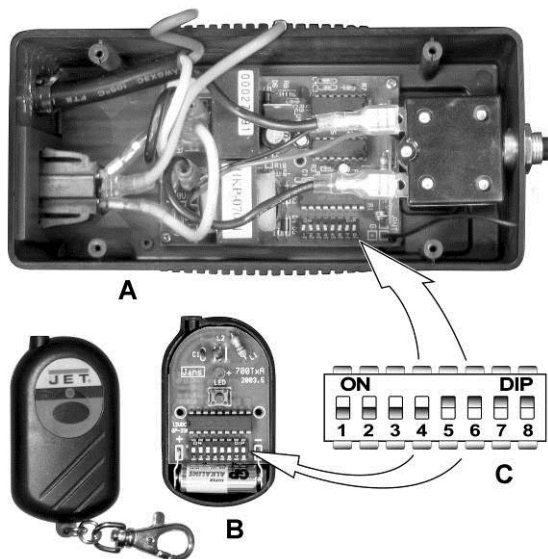


Figure 13

6. Replace the back covers to the main unit and remote control switch.
7. Operate a device as described in *Turning the DC-RC On & Off* and verify that other devices

using the same type remote control do not turn on.

Installing the DC-RC Remote Power Control

The optional *DC-RC Remote Power Control* unit can be placed anywhere for convenience and portability if used to control other machines or it can be mounted as a permanent part of the DC-650 Dust Collector.

To mount the *DC-RC Remote Power Control* (refer to Figure 14):

Note 1: Mounting hardware is not included.

Note 2: If Machine screws are to be used, the power control unit must be installed before installing the impeller housing and motor assembly.

1. Place *RC Power Control Unit* (C) on the side of the *support cylinder* (A).
2. Using a marker, place a mark on the support cylinder through the mounting holes of the power control unit's mounting tabs.
3. Drill two holes (B) through the support cylinder where marked.
4. Insert screws through the tabs and support cylinder if self-tapping screws are used. If machine screws are used, place washers and hex nuts on the threaded ends of the screws protruding inside the support cylinder and tighten.

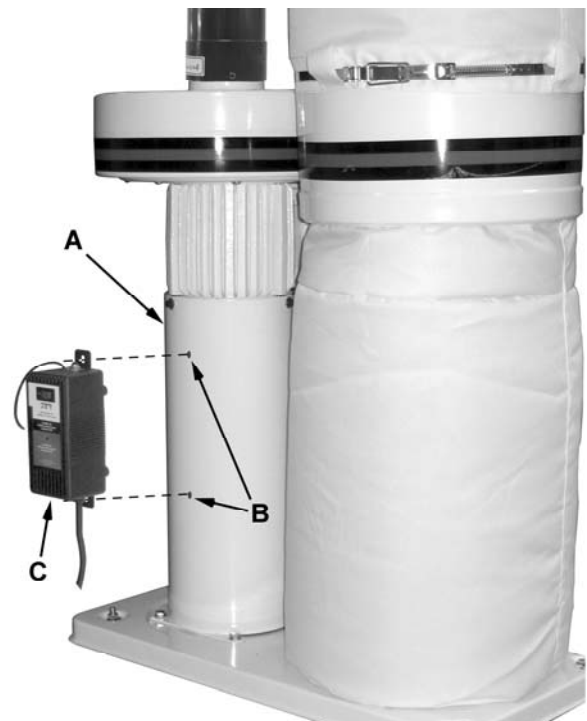


Figure 14

Maintenance

⚠WARNING Never perform maintenance on this machine before turning switch off and removing plug from power source. Failure to comply may cause serious injury!

Cleaning the Filter Bag – DC-650BK/MK

⚠CAUTION Wearing a particle mask/respirator for protection against fine dust particles during cleaning is highly recommended.

During first use and after cleaning, the filter bag may allow some dust to escape. This is normal and will stop after a short period of time.

Clean both the filter and collector bags frequently to keep the collector's performance at its optimum.

To clean:

1. Disconnect the machine from the power source.
2. Unhook the filter bag from the hanger and shake the bag so that the majority of the dust falls into the collector bag.
3. Loosen the retaining strap, and remove the filter bag from the housing.
4. Turn the bag inside out and clean.
5. Turn the bag outside in and re-attach to the housing using the retainer strap to secure.

Removing the Collector Bag – DC-650BK

⚠CAUTION Wearing a particle mask/respirator for protection against fine dust particles during cleaning is highly recommended.

1. Disconnect the machine from the power source.
2. Remove the collector bag by pushing the ring of the collector bag upwards and pulling the bag out at an angle.
3. Empty the contents into an appropriate container.
4. Turn the bag inside out and clean.
5. Turn the bag outside in and insert into the housing.

⚠WARNING To reduce the risk of injury from moving parts, always keep the inlet connected to the flexible hose. Failure to comply may result in serious injury!

Cleaning the Filter – DC-650CK

Clean both the filter and collector bag frequently to keep the collector's performance at its optimum.

To clean the filter turn the handle a couple rotations so the dust falls into the collector bag.

Removing the Collector Bag – DC-650CK and DC-650MK

⚠CAUTION Wearing a particle mask or respirator for protection against fine dust particles during cleaning is highly recommended.

1. Disconnect the machine from the power source.
2. Remove the collector bag by pushing the ring of the collector bag upwards at an angle and pulling the bag and snap ring out.
3. Empty the contents into an appropriate container.
4. Re-install the bag, or replace with a new bag.

Motor

Make frequent inspections of the motor fan and blow out (with low pressure air hose) or vacuum any accumulation of foreign material in order to maintain normal motor ventilation.

Connecting the Dust Collector to a Machine

Use the proper type hose to connect the dust collector to the machine being operated. Dryer vent hose is not acceptable for this purpose. Contact your nearest JET distributor for the full line of JET Dust Collector Hoses and Accessories. Customize your installation and obtain maximum performance with JET's dust hoods, hoses, clamps, fittings, and blast gates.

Grounding the Dust Collection System

The dust collection system includes the dust collector and the hose, or ductwork you use to connect the tools. The dust collector is grounded through the ground wire in the cord. The hose or ductwork you use to connect the tool to the dust collector must also be grounded.

Parts

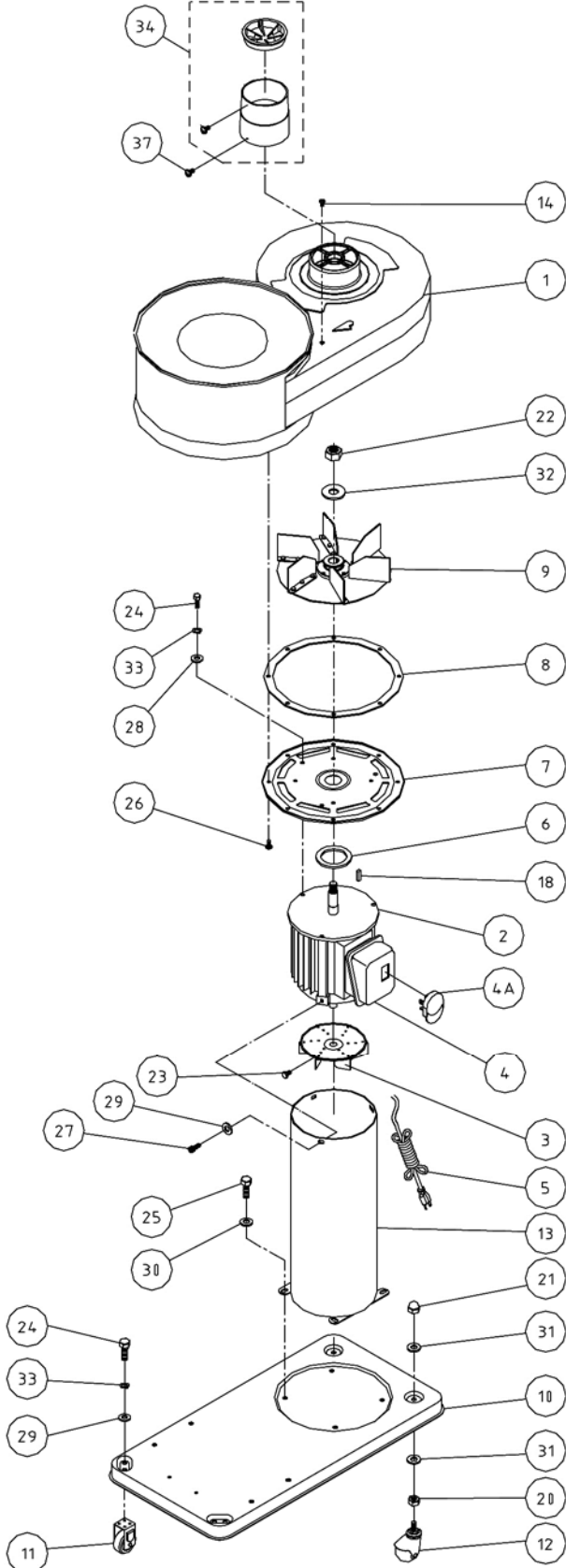
Replacement Parts

Replacement parts are listed in the Parts List on the following pages. To order parts or reach our service department, call 1-800-274-6848, Monday through Friday (see our website for business hours, www.jettools.com). Having the Model Number and Serial Number of your machine available when you call will allow us to serve you quickly and accurately.

Parts List – Base Machine

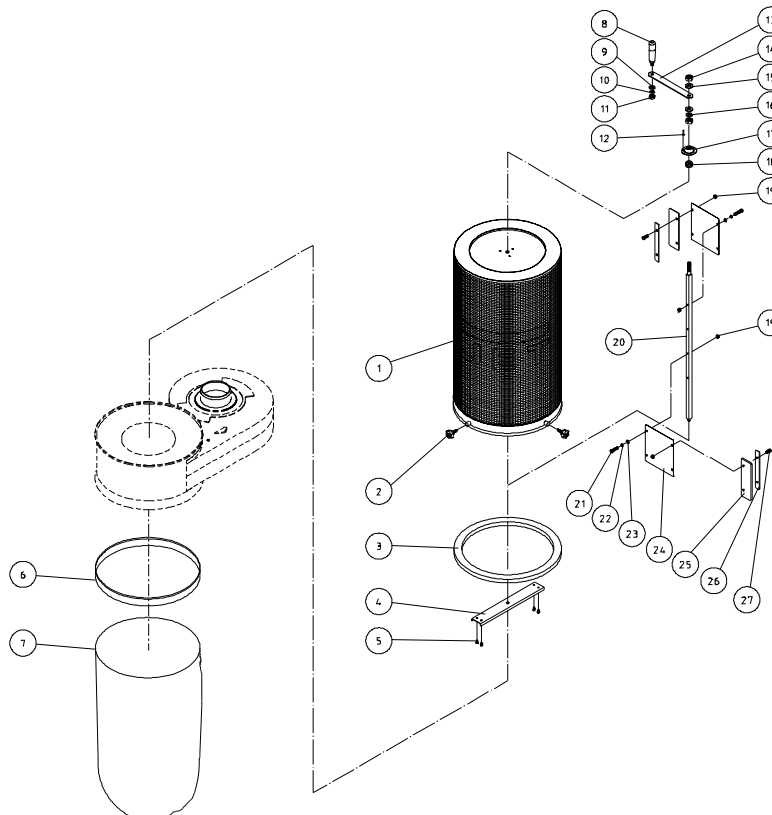
Index No.	Part No.	Description	Size	Qty
1	422109W	Impeller Housing		1
2	MH422001	Motor		1
	CA020010	Starting Capacitor (not shown)	200MFD, 125V	1
	994612	Centrifugal Switch (not shown)		1
	994613	Centrifugal Switch Rotor (not shown)		1
3	M4220F	Motor Fan		1
4	MJ422001	Switch Box		1
4A	994534	On/Off Switch	9301A	1
5	IC422001	Power Cord		1
6	423023	Packing		1
7	412025W	Flange		1
8	410030	Flange Packing		1
9	AB410033	Impeller	9-1/2"	1
10	423038W	Base		1
11	423044	Fixed Caster		2
12	410003	Pivoting Caster		2
13	422018W	Support Cylinder		1
14	TS-1534042	Pan Head Screw	M6x12	1
18	KS050525	Key	5x5x25 mm	1
20	TS-0561031	Hex Nut	3/8"-16	2
21	TS-059303	Cap Nut	3/8"-16	2
22	NH602303	Hex Nut (LH)	5/8"	1
23	TS-0050011	Hex Cap Screw	1/4"-20x1/2"	1
24	TS-1482021	Hex Cap Screw	M6x12	7
25	TS-1490011	Hex Cap Screw	M8x12	4
26	TS-1534042	Pan Head Screw	M6x12	8
27	TS-1503041	Socket Head Cap Screw	M6x16	3
28	TS-1550041	Flat Washer	M6	3
29	TS-1550041	Flat Washer	M6	7
30	TS-1550061	Flat Washer	M8	4
31	TS-1550071	Flat Washer	M10	4
32	TS-155010	Flat Washer	M16	1
33	TS-2361061	Lock Washer	M6	7
34	AB420937	Inlet Guard Assembly		1
	ZAYW1124	Intake Port	4"	1
	PM1300-151	Inlet Guard		1
	DCRC-111	Tapping Screw	M3.5X10	1
37	ST040200	Tapping Screw	M4x10	1
	DC-IGW	Inlet Guard Warning Label (not shown)		1
	DC-MBW	Motor Bracket Warning Label (not shown)		1
	STRIPE-1-3/4	JET Stripe	1-3/4" wide	per ft.
	DC650C-HP	Hardware Package		

Parts Breakdown – Base Machine



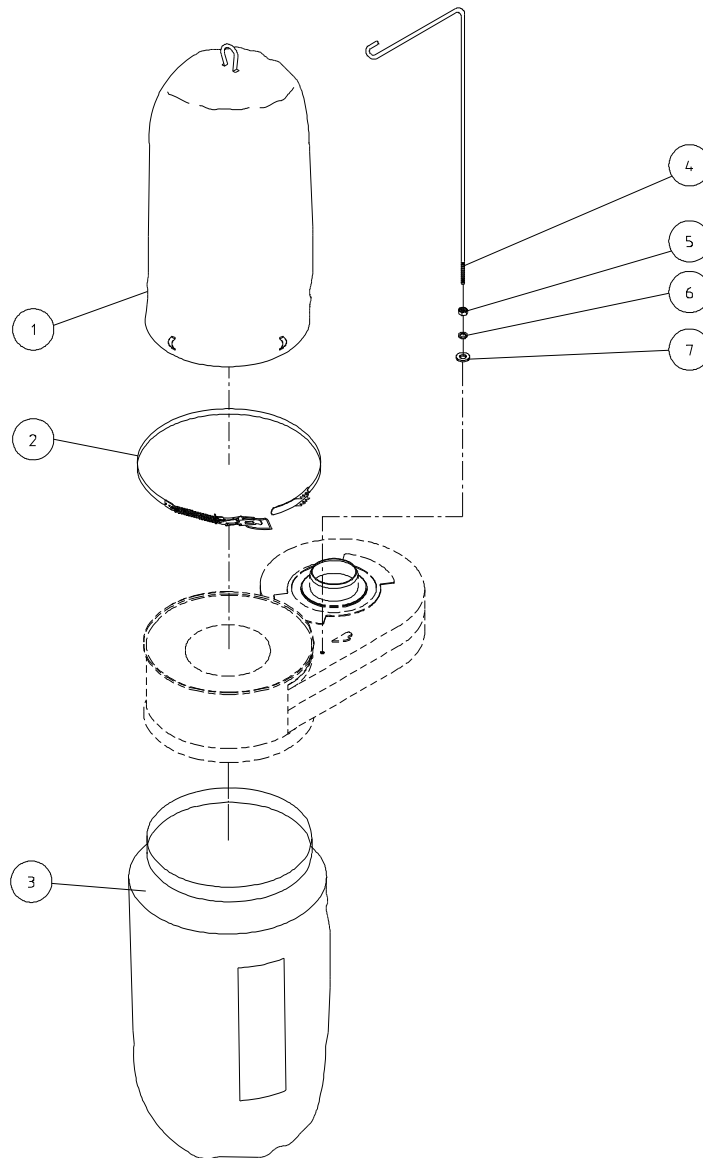
Canister Filter Assembly

Index No.	Part No.	Description	Size	Qty
1	708737	Canister Filter		1
2	331037	JET Knob	M6x20	4
3	331047	Pad		1
4	331042	Support		1
5	ST049200	Tapping Screw	M4x8	4
6	331048	Snap Ring		1
7	709565	Clear Plastic Collection Bag (Package of 5)		1
8	200076	Handle		1
9	TS-1550061	Flat Washer	M8	1
10	TS-2361081	Lock Washer	M8	1
11	TS-1540061	Hex Nut	M8	1
12	BR000052	Rivet	5-2	3
13	331011	Arm		1
14	TS-1540071	Hex Nut	M10	2
15	TS-1550071	Flat Washer	M10	2
16	TS-2361101	Lock Washer	M10	1
17	331014	Bracket		1
18	150623	Pad		1
19	TS-1540041	Hex Nut	M6	8
20	331010	Shaft		1
21	TS-1482041	Hex Cap Screw	M6x20	4
22	TS-2361061	Lock Washer	M6	4
23	TS-1550041	Flat Washer	M6	4
24	331043	Scraper		2
25	331017	Strip		2
26	331015	Plate		2
27	TS-1482021	Hex Cap Screw	M6x12	4
	DC650-CHP	Canister Hardware Package (index # 2, 8-11, 13-16)		



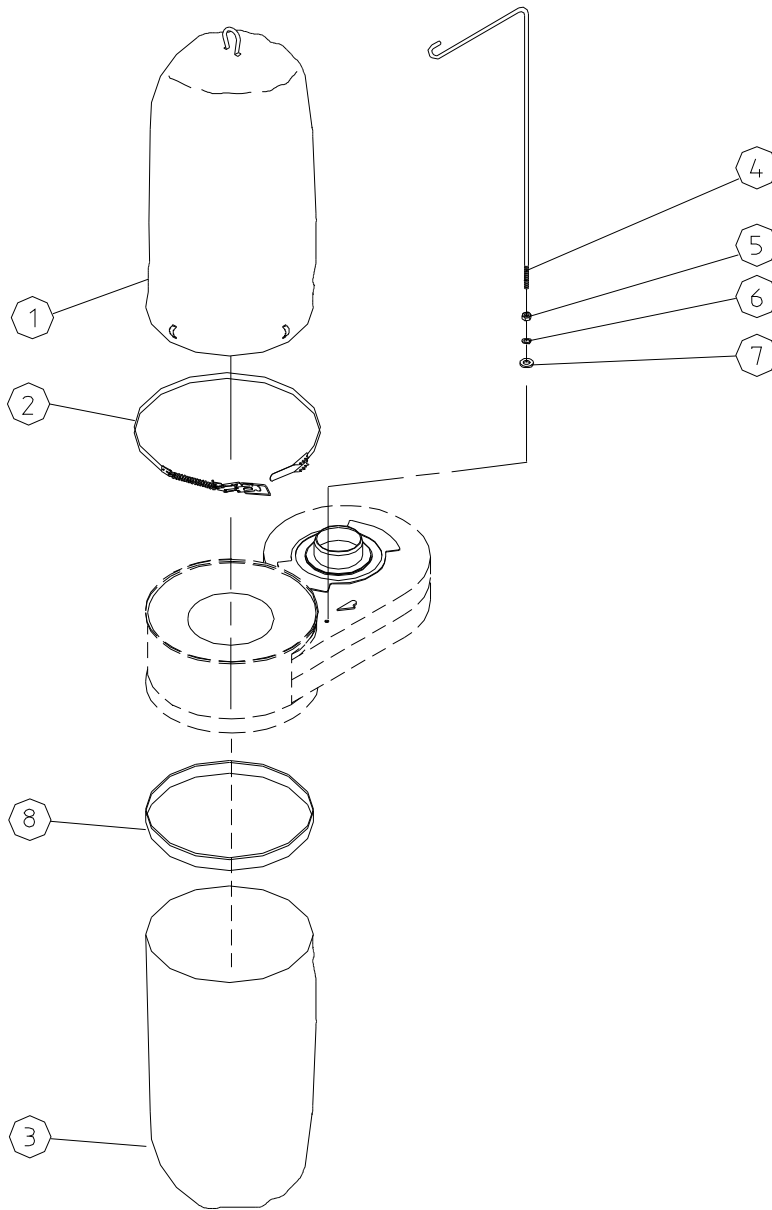
30 Micron Filter Bag Assembly

Index No.	Part No.	Description	Size	Qty
1	708695	Filter Bag	30 Micron	1
2	AB422028	Retainer Strap		1
3	708697A	Collector Bag		1
4	427043	Hanger		1
5	TS-1540041	Hex Nut	M6	1
6	TS-2361061	Lock Washer	M6	1
7	TS-1550041	Flat Washer	M6	1
	DC650-FHP	Filter Bag Hardware Package (index # 5,6,7)		



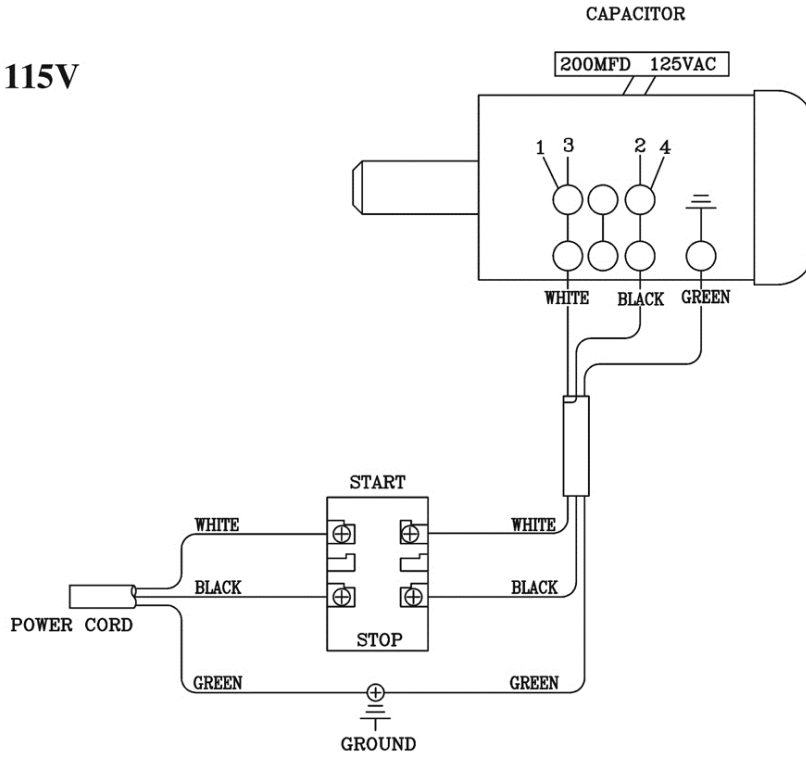
5 Micron Filter Bag Assembly

Index No.	Part No.	Description	Size	Qty
1	708701	Filter Bag	5 Micron	1
2	AB422028	Retainer Strap		1
3	709565	Clear Plastic Collection Bag (Package of 5)		1
4	427043	Hanger		1
5	TS-1540041	Hex Nut	M6	1
6	TS-2361061	Lock Washer	M6	1
7	TS-1550041	Flat Washer	M6	1
8	331048	Snap Ring		1
	DC650-FHP	Filter Bag Hardware Package (index # 5,6,7)		1

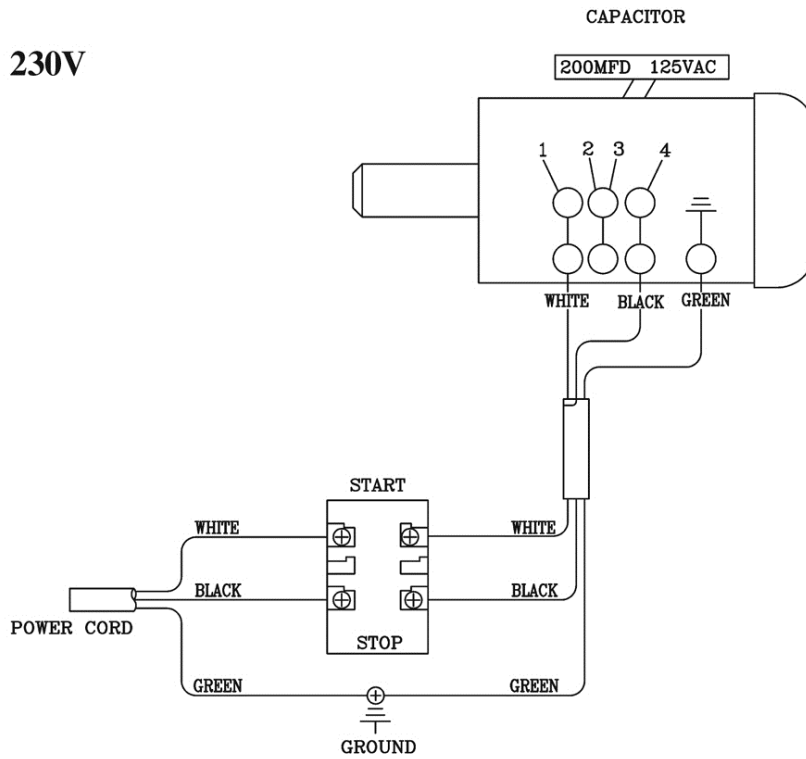


Wiring Diagrams for DC-650

115V



230V





427 New Sanford Road
LaVergne, Tennessee 37086
Phone: 800-274-6848
www.jettools.com