

NOTE:
1. MEDIUM TEXTURE POWDER COAT PAINT, BLACK.

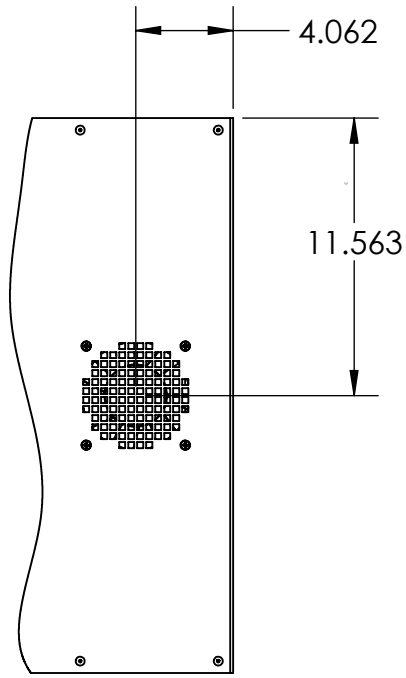
PROPRIETARY AND CONFIDENTIAL
THE INFORMATION CONTAINED IN THIS DRAWING IS THE SOLE PROPERTY OF KENDALL HOWARD. ANY REPRODUCTION IN PART OR AS A WHOLE WITHOUT THE WRITTEN PERMISSION OF KENDALL HOWARD IS STRICTLY PROHIBITED.

WEB PRINT	
NEXT ASSY	USED ON
APPLICATION	

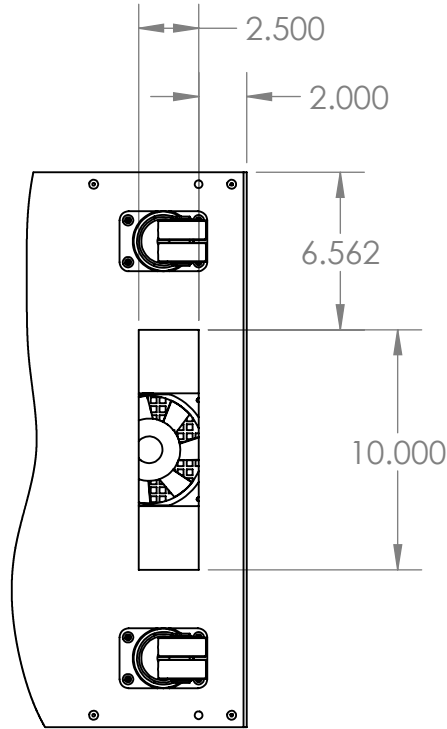
UNLESS OTHERWISE SPECIFIED: DIMENSIONS ARE IN INCHES TOLERANCES: FRACTIONAL ± 1/8 ANGULAR: BEND ± 1 DEGREE TWO PLACE DECIMAL ± .03 THREE PLACE DECIMAL ± .01	
Surface Area	
MATERIAL	
FINISH	
DO NOT SCALE DRAWING	

	NAME	DATE
DRAWN		
CHECKED		
ENG APPR.		
MFG APPR.		
Q.A.		
COMMENTS:		

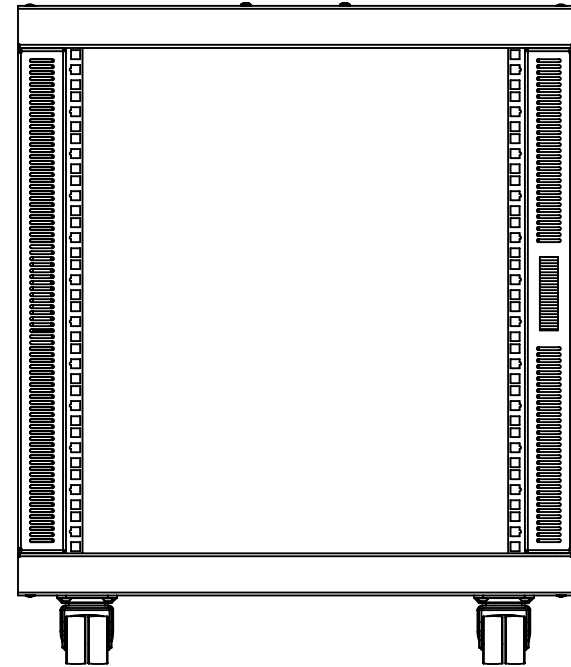
KENDALL HOWARD		
TITLE: 12U SOHO SERVER RACK- NO DOORS		
SIZE	DWG. NO.	REV
A	1932-3-201-12 WP	-
SCALE: 1:20	WEIGHT: 66.21	SHEET 1 OF 2



TOP VIEW
FAN DETAIL
VIEW B-B
SCALE 1 : 8



BOTTOM VIEW
CBAING DETAIL
VIEW C-C
SCALE 1 : 8



VIEW A-A
SCALE 1 : 8

PROPRIETARY AND CONFIDENTIAL
THE INFORMATION CONTAINED IN THIS DRAWING IS THE SOLE PROPERTY OF KENDALL HOWARD. ANY REPRODUCTION IN PART OR AS A WHOLE WITHOUT THE WRITTEN PERMISSION OF KENDALL HOWARD IS STRICTLY PROHIBITED.

WEB PRINT	
NEXT ASSY	USED ON
APPLICATION	

UNLESS OTHERWISE SPECIFIED: DIMENSIONS ARE IN INCHES TOLERANCES: FRACTIONAL $\pm 1/8$ ANGULAR: BEND ± 1 DEGREE TWO PLACE DECIMAL $\pm .03$ THREE PLACE DECIMAL $\pm .01$ Surface Area	NAME	DATE
MATERIAL		
FINISH		
DO NOT SCALE DRAWING	COMMENTS:	

DRAWN		
CHECKED		
ENG APPR.		
MFG APPR.		
Q.A.		

KENDALL HOWARD		
TITLE: 12U SOHO SERVER RACK- NO DOORS		
SIZE A	DWG. NO. 1932-3-201-12 WP	REV -
SCALE: 1:20	WEIGHT: 66.21	SHEET 2 OF 2