



Sealed Battery Carbon Monoxide Alarm

Model C3010

LED Lights

Green for normal operation,
Red for alarm, Amber for Error.

Test/Reset

Tests CO alarm circuit operation and allows you to
immediately silence the alarm.

10-Year Sealed-in Lithium Batteries

Unit will continue to operate for 10 years. Alerts
user to replace unit after 10 years of operation.



NEW FEATURES • *Never Change a Battery!*
• *CO Alarm Lasts 10 Years.*

Description

The Kidde C3010 is a 10-year, sealed battery, carbon monoxide alarm that uses electro-chemical sensing technology to protect you and your family from the dangers of carbon monoxide. The C3010 alarm will automatically activate when it is attached to the mounting bracket. At the end of alarm life, the unit will chirp, indicating the alarm is in need of replacement. A screwdriver can be used to deactivate the unit, stopping the end-of-life chirp and making it safe for disposal. The inside cover of the mounting bracket features a quick reference guide for what to do in case of an alarm. This easy-to-install alarm is suitable for all living areas and has a 10 year life and limited warranty.

Consumer Benefits

The Kidde C3010 provides you and your family with a loud warning signal to dangerously elevated levels of carbon monoxide in your home. The unit contains a 10-year tamper proof battery that eliminates the need for battery replacement, and provides continuous monitoring of CO levels, even during power outages. The Event Memory feature alerts you if a high level of carbon monoxide has been detected within the last 14 days. The 10-year limited warranty lasts the life of the alarm.



Features and Benefits

- **Sealed-in Lithium Battery** – Sealed-in lithium power supply; no battery replacement required over the 10 year life of the alarm. Eliminates worry about battery removal or unauthorized deactivation of alarm.
- **Self Activation** – Alarm automatically activates when attached to the mounting bracket.
- **Test/Reset Button** – Tests the unit for proper operation. Resets the Carbon Monoxide Alarm
- **Green LED** – Flashes every 30 seconds to indicate the unit is operating properly.
- **Red LED** – When a dangerous level of carbon monoxide is detected the red LED will pulse and a loud alarm pattern will sound. The carbon monoxide alarm pattern is 4 short beeps, followed by 5 seconds of silence, followed by 4 short beeps with a corresponding red LED flash. This cycle will continue for 4 minutes and then change to 2 patterns there after.
- **Amber LED** – Flashes every second to indicate the unit is in fault mode. One quick beep every 30 seconds alerts the unit is in error condition. One quick beep every 60 seconds is an indication of low battery power.
- **Event Memory** – Red LED flashes every 60 seconds to alert that a high level of carbon monoxide has been detected within the last 14 days.

Architectural and Engineering Specifications

The carbon monoxide alarm shall be Kidde Model C3010 or approved equal. It shall be powered by a sealed lithium battery. The temperature operating range shall be between 40°F and 100°F (4°C and 38°C) and the humidity operating range shall be 10% - 95% non condensing relative humidity.

The CO sensor shall be of a fuel cell design and shall meet the sensitivity requirements of Underwriters Laboratories UL2034 Single and Multiple Station Carbon Monoxide Alarms.

The alarm can be installed on the surface of any wall or placed on a tabletop following the UL/NFPA/Manufacturer's recommended placement guidelines.

The alarm shall include a test button that will electronically simulate the presence of CO and cause the unit to go into alarm. This sequence tests the unit's electronics to ensure proper operation.

Per UL 2034 requirements, the CO sensor will not alarm to levels of CO below 30 ppm and will alarm in the following time range when exposed to the corresponding levels of CO.

| | |
|--------------------------|------------------|
| 70 ppm CO Concentration | 60 – 240 minutes |
| 150 ppm CO Concentration | 10 – 50 minutes |
| 400 ppm CO Concentration | 4 – 15 minutes |

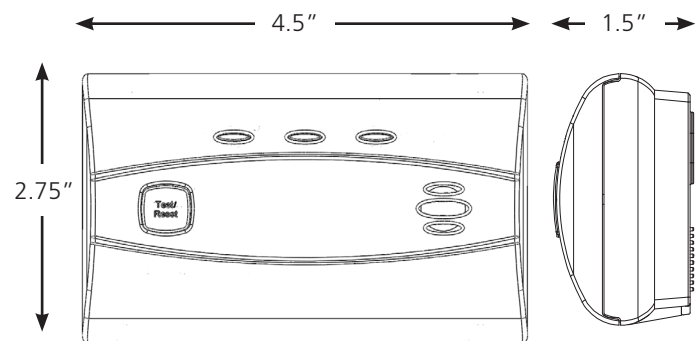
The unit shall incorporate 3 LEDs. A green LED will flash once every 30 seconds to indicate the alarm is operating properly when power is present. A red LED will pulse to indicate carbon monoxide has been detected until the device is reset or CO is eliminated. An amber LED will flash every second to signal alarm malfunction or low battery.

The alarm shall include a piezoelectric horn that is rated at 85 decibels at 10 feet. When the unit detects carbon monoxide, the alarm pattern will be four (4) short beeps – followed by five (5) seconds of silence – followed by four (4) short beeps with a corresponding red LED flash.

It shall include a 10-year manufacturer's limited warranty.

Technical Specifications

| | |
|--------------------|--------------------------------|
| Power Source: | Sealed Lithium Battery |
| Sensor: | Electrochemical |
| Audio Alarm: | 85dB at 10ft |
| Temperature Range: | 40°F (4.4°C) to 100°F (37.8°C) |
| Humidity Range: | 10%-95% relative humidity (RH) |
| Size: | 4.5" L x 2.75" H x 1.5" D |
| Weight: | .31lb |
| Wiring: | No |
| Interconnects: | No |
| Warranty: | 10 year limited |



Ordering Information

| Part Number | UPC | Pack Quantity | Dimensions (w x d x h) | I 2 of 5 | Weight | Items/Skid |
|-------------|-----------------|---------------|------------------------|-------------------|-----------|------------|
| 21010045 | 0-47871-10045-3 | 3-PK (clam) | 8 x 9.5 x 11.5 | 100-47871-10045-0 | 1.35 lb. | 225 |
| 21010073 | 0-47871-10073-6 | 6-PK (box) | 6.25 x 10.75 x 4.25 | 100-47871-10073-3 | 6.00 lbs. | 1296 |



1016 Corporate Park Drive
Mebane NC 27302
1-800-880-6788
www.Kidde.com

Distributed by: