



A Regal Brand

Catalog # : 096066.00  
Product Type: ACSG  
Description:

Model: 096066.00  
Stock: Y

Engineering Data

RPM	29	Volts		Volts	
HP/KW	.25	F.L. Amps		F.L. Amps	1.2/.6
Frame	42Y	S. F Amps		S. F Amps	
Max Amb	40	Hertz		Phase	3
Insul Class	F4	Duty	CONT	TYPE	TF
		Serv. Factor	1	PF	
Eff 100%		Eff 75%		Enclosure	TEFC
Protection	NOT	Therm.Prot.		Bearing OPE	6201-13
Design		Code	L	Bearing PE	6203
UL	Yes	CSA	Yes	CE	No
Series	PE350	Nameplate	081187	Lubrication	
		Overrlung Ld.	327	Shaft Type	PARALLEL

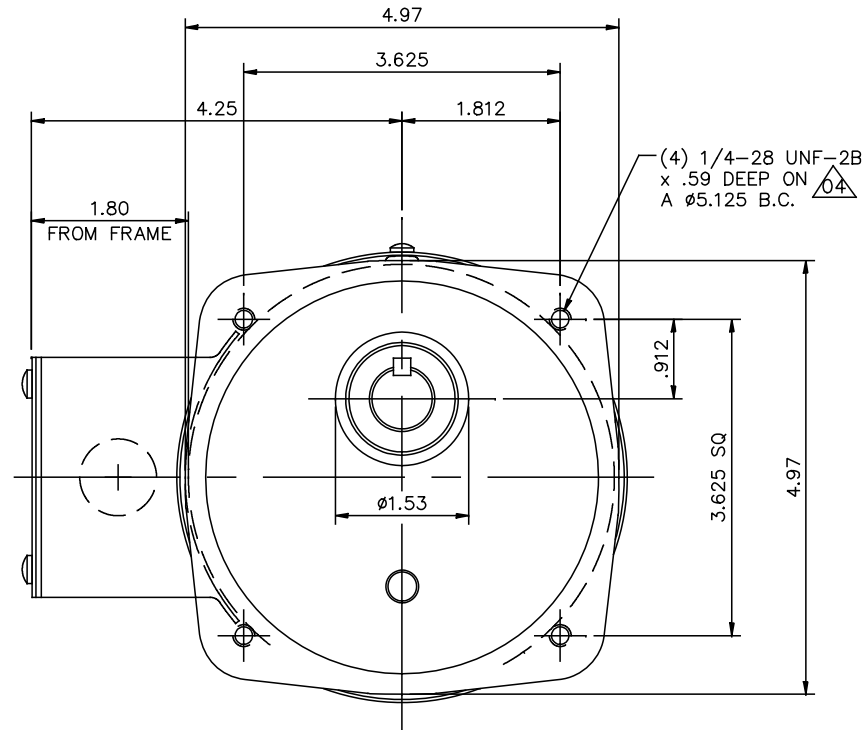
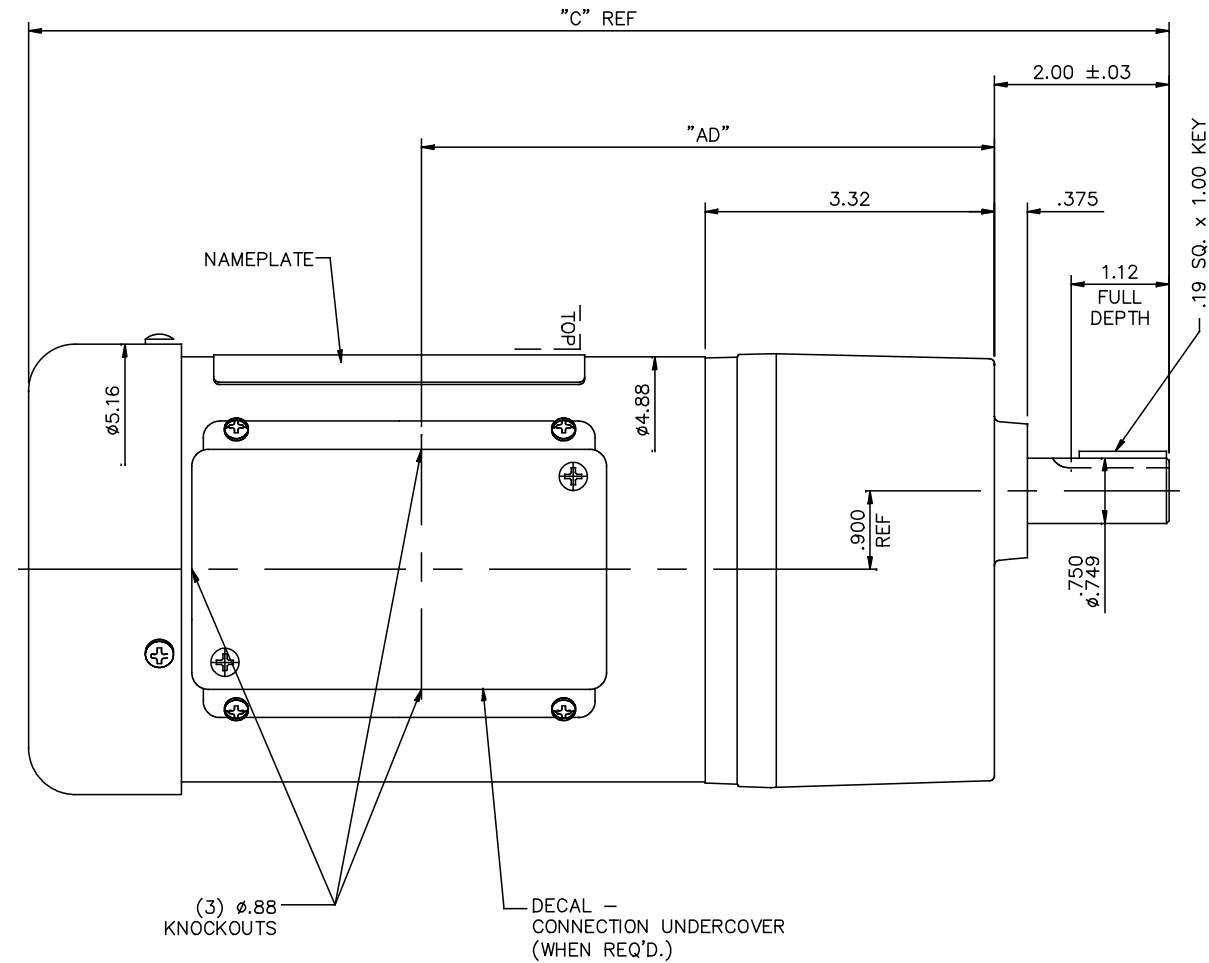
Motor Wt.	27 LB	Mounting	SPECIAL	Rotation	RECONN
Carton Label	Leeson GearMotor	Assembly	NONE		
Winding	T47425	Shaft Dia.	3/4	Ext. Diag2.	
GROUP :	3 F	Paint	M1305027.01	Packaging	B
Test Card	03	Outline	027874-096066	Cust Part No	

Form Factor			RMS Amps	
Torque		RMS Amps		
AB Code		Peak		
Resistance		Peak@DegC		
Connection			Const Torque	

Rework Status                      Rework TYPE

4Explosion Proof				2Brake Motors
Temp Op Code				FORCE
Class		GROUP		VDC
Class		GROUP		ADC

027874



(3) Ø.88 KNOCKOUTS  
 DECAL - CONNECTION UNDERCOVER (WHEN REQ'D.)

CATALOG NUMBER	OUTPUT RPM	FULL LOAD TORQUE LB.-IN.	INPUT HP	OVERHUNG LOAD LBS.	RATIO TO 1	"C"	"AD"
096065.00	9	341	1/6	327	180	13.07	6.56
096066.00	29	300	1/4	327	58	13.07	6.56
096067.00	58	244	1/4	327	30	13.07	6.56
096068.00	85	165	1/4	327	20	13.07	6.56
096069.00	173	92	1/4	327	10	13.07	6.56
096070.00	345	50	1/4	327	5	13.07	6.56

NO.	REVISION	BY & DATE	CHK	ANG	FINISH
04	THREAD DEPTH WAS .63"	JD 06/06/17			
03	ADDED 096065.00 TO PRINT	RDW 4/18/07	KH	.X	±.1
02	096070.00 RPM WAS 58, TORQUE WAS 244 & RATIO WAS 30	RDW 12/14/05	SW	.XX	±.03
01	ADDED PERFORMANCE ATTRIBUTES TABLE	RLW 7/7/05		.XXX	±.005
				.XXXX	±.0005
					±1/2"

GASKETS THROUGHOUT

ELECTRIC MOTORS  
GEARMOTORS  
AND DRIVES

DRAWN	LST 5/17/05
CHK	RW 5/17/05
APPD	KH 5/17/05
SCALE	5=8
REF	PR040182
FMF	
PREV	

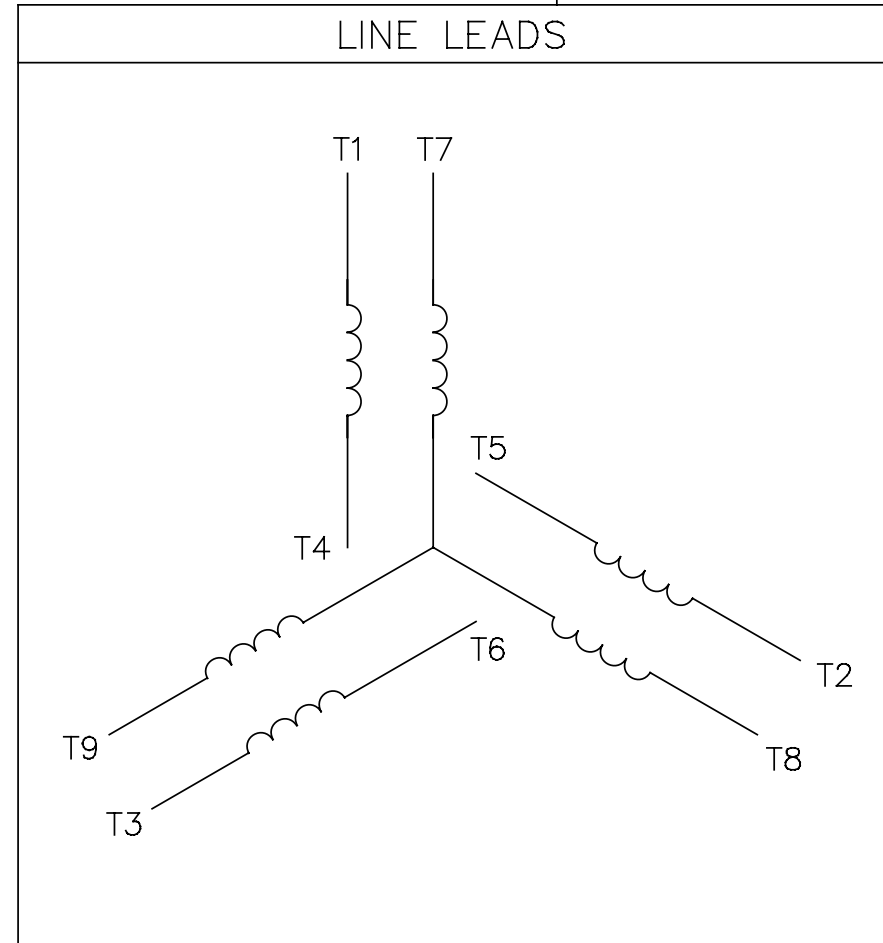
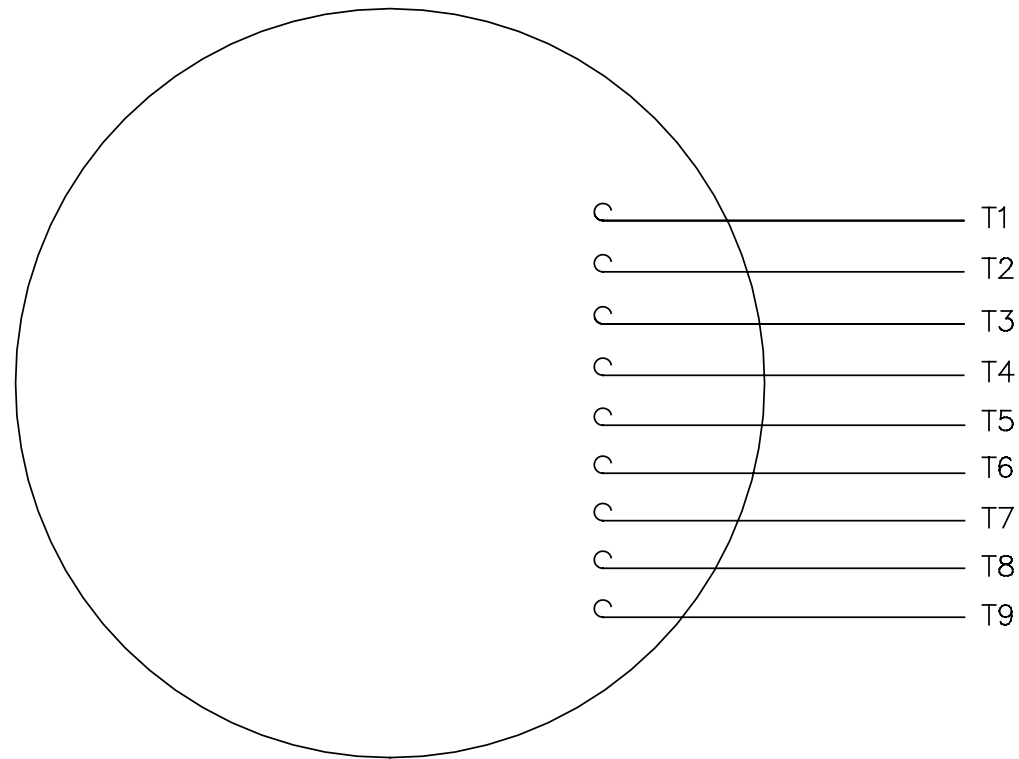
CAD FILE	027874	SIZE	B	DRAWING NO.	027874	REV.	04
----------	--------	------	---	-------------	--------	------	----

THIS DRAWING IN DESIGN AND DETAIL IS OUR PROPERTY AND MUST NOT BE USED EXCEPT IN CONNECTION WITH OUR WORK ALL RIGHTS OF DESIGN AND INVENTION ARE RESERVED THIS IS AN ELECTRONICALLY GENERATED DOCUMENT - DO NOT SCALE THIS PRINT

# Uncontrolled Copy

005010-01

VIEW FROM OUTSIDE OF MOTOR AT SWITCH END.



VOLTAGE	L1	L2	L3	JOIN & INSULATE
HIGH	T1	T2	T3	(T4,T7) (T5,T8) (T6,T9)
LOW	T1,T7	T2,T8	T3,T9	T4,T5,T6

		TOLERANCES UNLESS SPECIFIED		REGAL™ Regal Beloit America, Inc.		DRAWN RDW 04/12/02				
		DEC.	INCHES	TITLE		CHK				
		.X	±.1	EXTERNAL WIRING DIAGRAM		APPD				
		.XX	±.01	3 PHASE W/O PROTECTOR		SCALE 1=1				
		.XXX	±.005	MAT'L. DECAL - 004014		REF FIG.2-51				
A	UPDATED TO REGAL LOGO	SAJ	06/26/15	AJY	.XXXX	±.0005	FMF			
NO.	REVISION	BY & DATE	CHK	ANG	±1/2°	FINISH	PREV			
THIS DRAWING IN DESIGN AND DETAIL IS OUR PROPERTY AND MUST NOT BE USED EXCEPT IN CONNECTION WITH OUR WORK ALL RIGHTS OF DESIGN AND INVENTION ARE RESERVED THIS IS AN ELECTRONICALLY GENERATED DOCUMENT - DO NOT SCALE THIS PRINT				RFP	04/12/02	CAD FILE	00501001	SIZE	DRAWING NO.	REV.
				DIST	BRF-NLV			A	005010-01	A