



A Regal Brand

Catalog # : 107012.00  
 Product Type: ACSG  
 Description:

Model: 107012.00  
 Stock: Y

Engineering Data

RPM	26	Volts		Volts	
HP/KW	.33	F.L. Amps		F.L. Amps	6.2/3.1
Frame	48Y	S. F Amps		S. F Amps	6.4/3.2
Max Amb	40	Hertz		Phase	1
Insul Class	B4	Duty	CONT	TYPE	CF
		Serv. Factor	1.15	PF	
Eff 100%		Eff 75%		Enclosure	TEFC
Protection	NOT	Therm.Prot.		Bearing OPE	6203
Design		Code	L	Bearing PE	6203
UL	Yes	CSA	Yes	CE	No
Series	P1100	Nameplate	080573	Lubrication	
		Overrlung Ld.	650	Shaft Type	PARALLEL

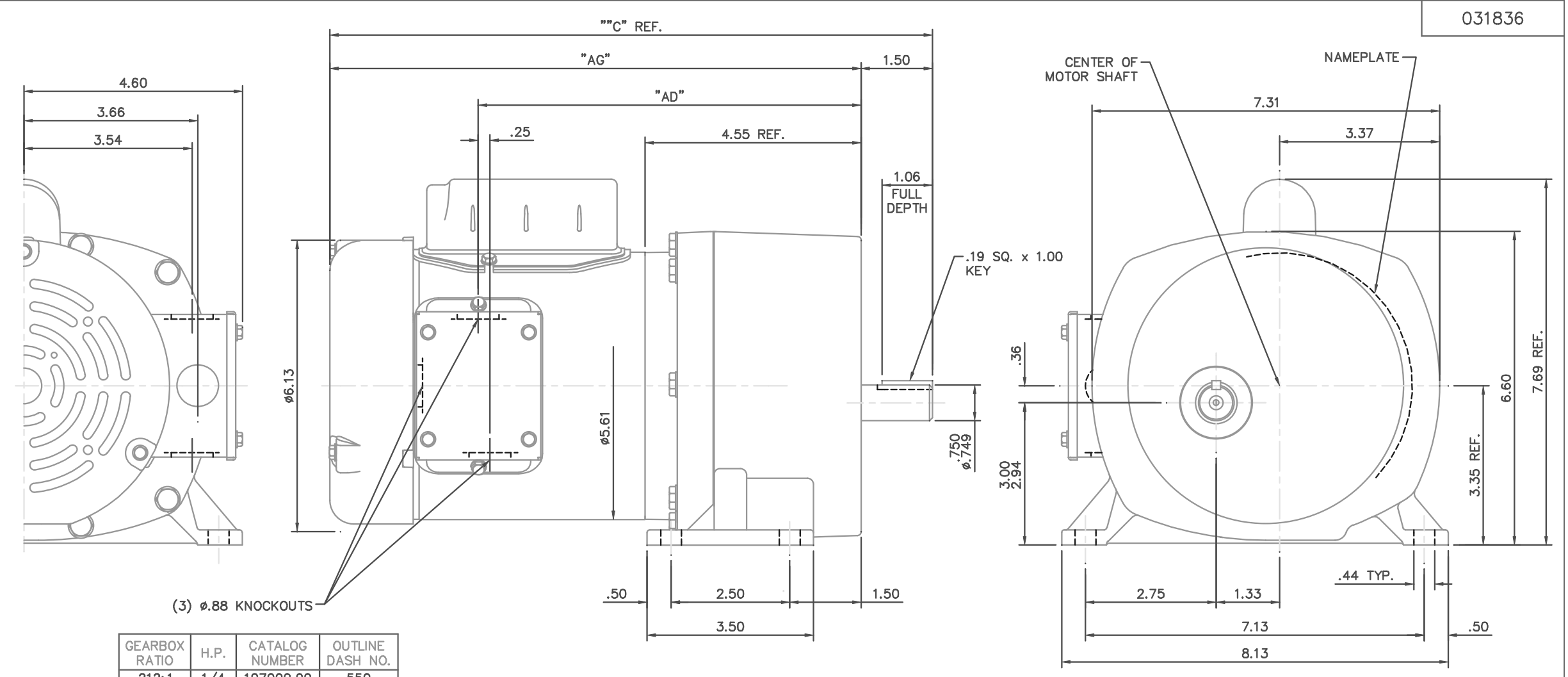
Motor Wt.	35 LB	Mounting	SPECIAL	Rotation	RECONN
Carton Label	Leeson GearMotor	Assembly	LO107012		
Winding	C554113	Shaft Dia.	3/4	Ext. Diag2.	
GROUP :	3 L	Paint	M1305027.01	Packaging	B
Test Card	06	Outline	031836-575	Cust Part No	

Form Factor		RMS Amps	
Torque		Peak	
AB Code		Peak@DegC	
Resistance			
Connection		Const Torque	

Rework Status                      Rework TYPE

4Explosion Proof		2Brake Motors
Temp Op Code		FORCE
Class	GROUP	VDC
Class	GROUP	ADC

031836



(3) Ø.88 KNOCKOUTS

GEARBOX RATIO	H.P.	CATALOG NUMBER	OUTLINE DASH NO.
212:1	1/4	107000.00	550
13:1	1/4	107001.00	550
66:1	1/4	107002.00	550
95:1	1/4	107003.00	550
143:1	1/4	107004.00	550
29:1	1/4	107005.00	550
95:1	1/3	107006.00	575
6:1	1/3	107007.00	575
11:1	1/3	107008.00	575
19:1	1/3	107009.00	575
29:1	1/3	107010.00	575
42:1	1/3	107011.00	575
66:1	1/3	107012.00	575
79:1	1/2	107013.00	625
13:1	1/2	107014.00	625
19:1	1/2	107015.00	625
29:1	1/2	107016.00	625
42:1	1/2	107017.00	625

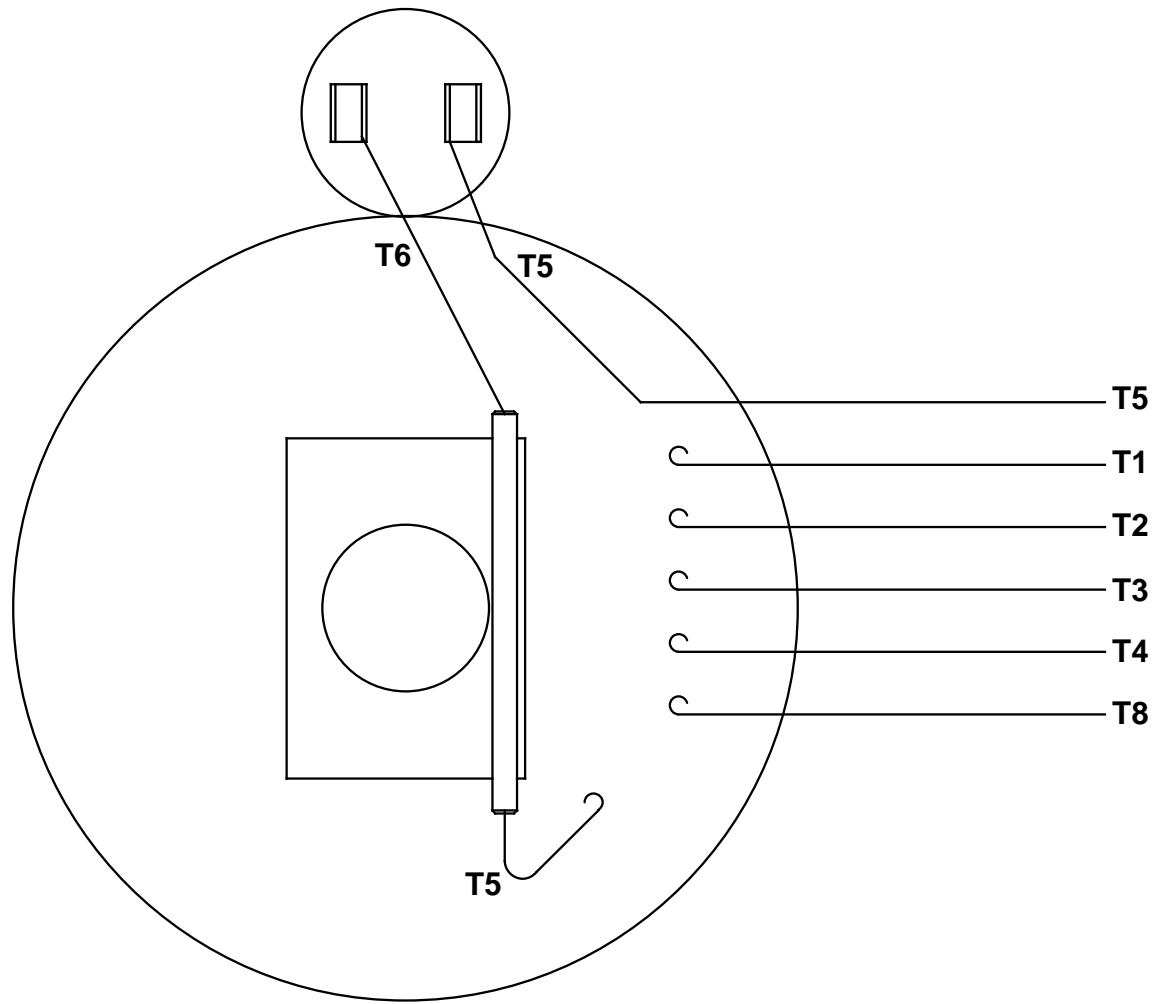
OUTLINE DASH NO.	"C"	"AG"	"AD"
550	13.42	11.92	8.81
575	13.67	12.17	9.06
625	14.17	12.67	9.56

GASKETS THROUGHOUT

NO.		REVISION		BY & DATE		TOLERANCES UNLESS SPECIFIED		<b>LEESON</b>	ELECTRIC MOTORS GEARMOTORS AND DRIVES		DRAWN PG 11/28/05	
						DEC.	INCHES				CHK	
						.X	±.1	TITLE		OUTLINE - 48 FRAME		SCALE
						.XX	±.03			TEFC GEARMOTOR		1=2
						.XXX	±.005	MAT'L		1 PHASE		REF
						.XXXX	±.0005			STANDARD		031216
						ANG	±1/2"	FINISH		STANDARD		FMF
						107000.00						
						RFP		CAD FILE		031836		SIZE
						DRAWING NO.						
						DIST				B		DRAWING NO.
						031836						
										REV.		

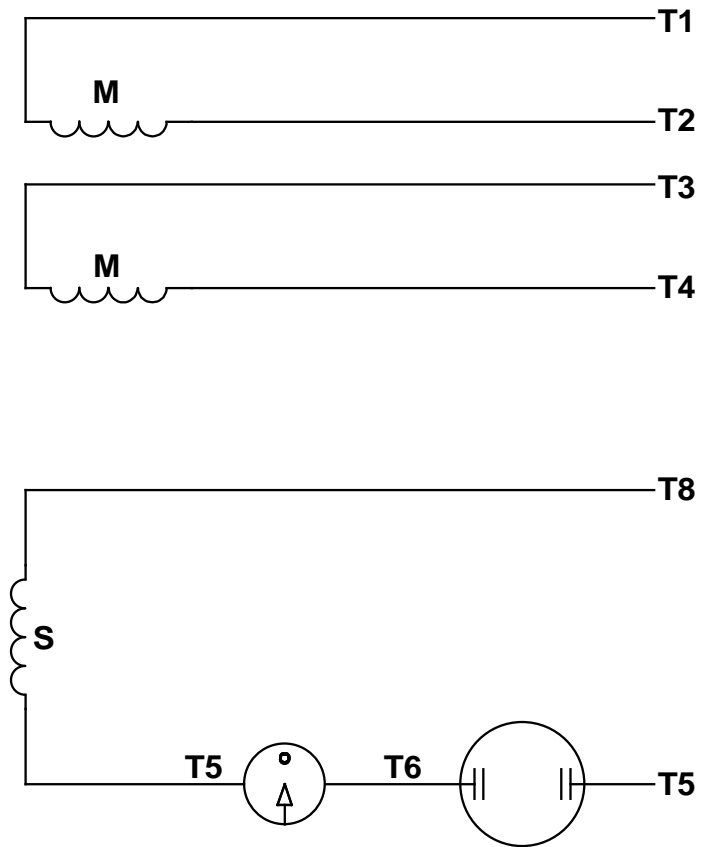
THIS DRAWING IN DESIGN AND DETAIL IS OUR PROPERTY AND MUST NOT BE USED EXCEPT IN CONNECTION WITH OUR WORK. ALL RIGHTS OF DESIGN AND INVENTION ARE RESERVED. THIS IS AN ELECTRONICALLY GENERATED DOCUMENT - DO NOT SCALE THIS PRINT

VIEW FROM OUTSIDE OF MOTOR AT SWITCH END.



RBC PROPRIETARY AND CONFIDENTIAL INFORMATION  
 This document is the property of REGAL BELOIT CORPORATION ("RBC") including its subsidiaries and divisions and contains proprietary information of RBC. This document is loaned on the express condition that neither it nor the information contained therein shall be disclosed to others without the express written consent of RBC, and that the information shall be used by the recipient only as approved expressly by RBC. This document shall be returned to RBC upon its request. This document may be subject to certain restrictions under U.S. export control laws and regulations.

**LINE LEADS**



	ROTATION FACING LEAD END	L1	L2	JOIN
HIGH VOLT	C.C.W.	T1	T4, T5	T2, T3, T8
	C.W.	T1	T4, T8	T2, T3, T5
LOW VOLT	C.C.W.	T1, T3, T8	T2, T4, T5	-----
	C.W.	T1, T3, T5	T2, T4, T8	-----

--	REDRAWN IN SOLIDWORKS	VJB 02/16/11		TOLERANCES UNLESS SPECIFIED		ELECTRIC MOTORS GEARMOTORS AND DRIVES	DRAWN ADH 08/06/73	
27	UPDATED TO CURRENT STANDARDS	DBT 05/27/97		DEC	INCHES		CHK	
26	ADDED PAGE 32 (114787) & PAGE 33 (114788)	KAZ 12/20/95	PG	.X	±.1		APPR JCW 03/09/79	
25	ADDED PAGE 31	KAZ 04/19/95	DL	.XX	±.01	TITLE EXTERNAL WIRING DIAGRAM	SCALE 1:1	
24	ADDED PAGES 29 & 30	KMM 03/30/95	DL	.XXX	±.005	TYPE "C" W/O PROTECTOR	REF FIG 2-23 C4A	
23	ADDED PAGE 28	KMM 01/27/95		.XXXX	±.0005	MAT'L DECAL - 004012	FMF MGI-2.4B	
NO	REVISION	BY & DATE	CHK	ANG	±1/2°	FINISH	PAGE OF	
THIRD ANGLE PROJECTION			RFP	PREV		SIZE	DRAWING NO	REV
NETWORK FILE NAME 00500501						A	005005-01	--