



A Regal Brand

Catalog # : 107014.00
Product Type: ACSG
Description:

Model: 107014.00
Stock: Y

Engineering Data

RPM	133	Volts		Volts	
HP/KW	.5	F.L. Amps		F.L. Amps	8.8/4.4
Frame	48Y	S. F Amps		S. F Amps	9.2/4.6
Max Amb	40	Hertz		Phase	1
Insul Class	F4	Duty	CONT	TYPE	CF
		Serv. Factor	1.15	PF	60
Eff 100%		Eff 75%		Enclosure	TEFC
Protection	NOT	Therm.Prot.		Bearing OPE	6203
Design	N	Code	K	Bearing PE	6203
UL	Yes	CSA	Yes	CE	No
		Nameplate	080573	Lubrication	
Series	P1100	Overrlung Ld.	525	Shaft Type	PARALLEL

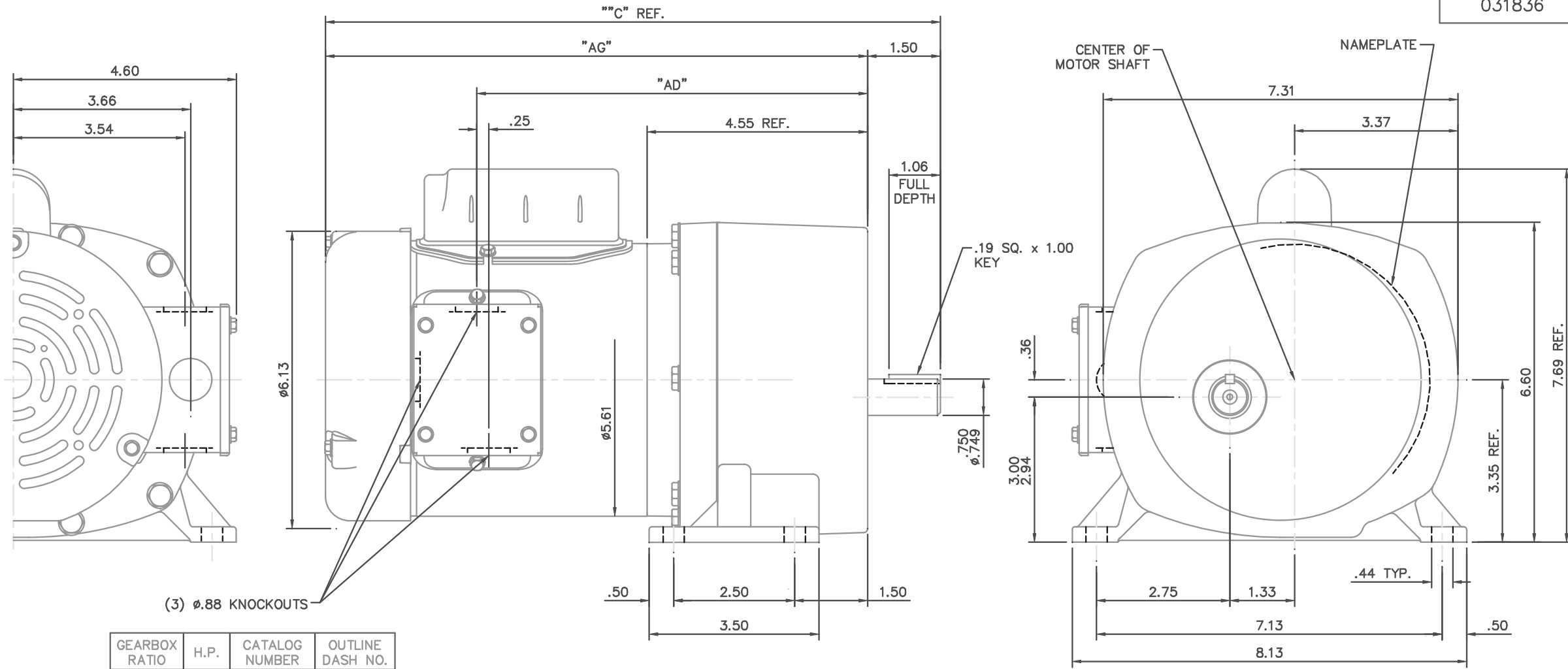
Motor Wt.	35 LB	Mounting	SPECIAL	Rotation	RECONN
Carton Label	Leeson GearMotor	Assembly	LO107014		
Winding	C554112	Shaft Dia.	3/4	Ext. Diag2.	
GROUP :	3 F	Paint	M1305027.01	Packaging	B
Test Card	07	Outline	031836-625	Cust Part No	

Form Factor			RMS Amps	
Torque		RMS Amps		
AB Code		Peak		
Resistance		Peak@DegC		
Connection			Const Torque	

Rework Status Rework TYPE

4Explosion Proof			2Brake Motors
Temp Op Code			FORCE
Class	GROUP		VDC
Class	GROUP		ADC

031836



(3) 0.88 KNOCKOUTS

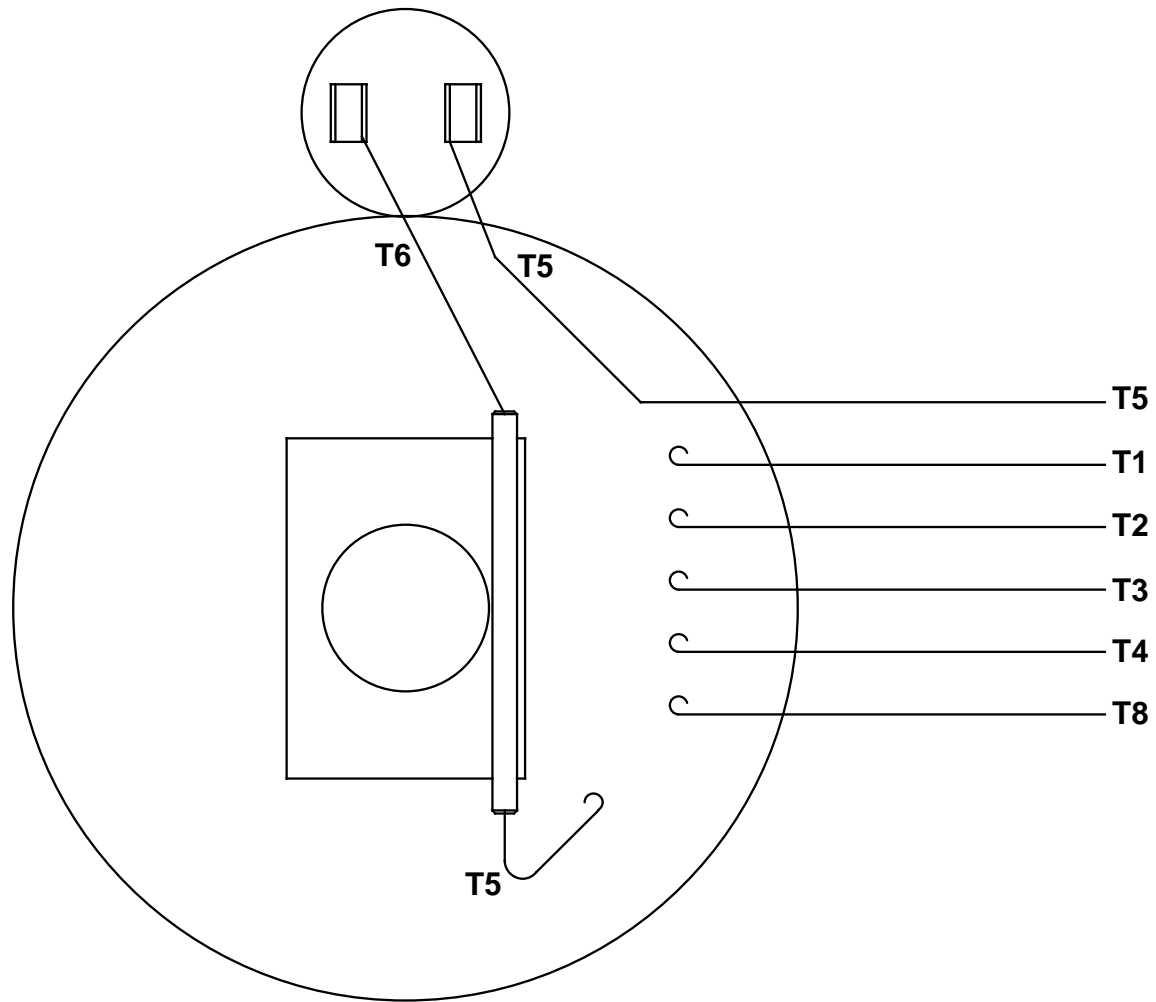
GEARBOX RATIO	H.P.	CATALOG NUMBER	OUTLINE DASH NO.
212:1	1/4	107000.00	550
13:1	1/4	107001.00	550
66:1	1/4	107002.00	550
95:1	1/4	107003.00	550
143:1	1/4	107004.00	550
29:1	1/4	107005.00	550
95:1	1/3	107006.00	575
6:1	1/3	107007.00	575
11:1	1/3	107008.00	575
19:1	1/3	107009.00	575
29:1	1/3	107010.00	575
42:1	1/3	107011.00	575
66:1	1/3	107012.00	575
79:1	1/2	107013.00	625
13:1	1/2	107014.00	625
19:1	1/2	107015.00	625
29:1	1/2	107016.00	625
42:1	1/2	107017.00	625

OUTLINE DASH NO.	"C"	"AG"	"AD"
550	13.42	11.92	8.81
575	13.67	12.17	9.06
625	14.17	12.67	9.56

GASKETS THROUGHOUT

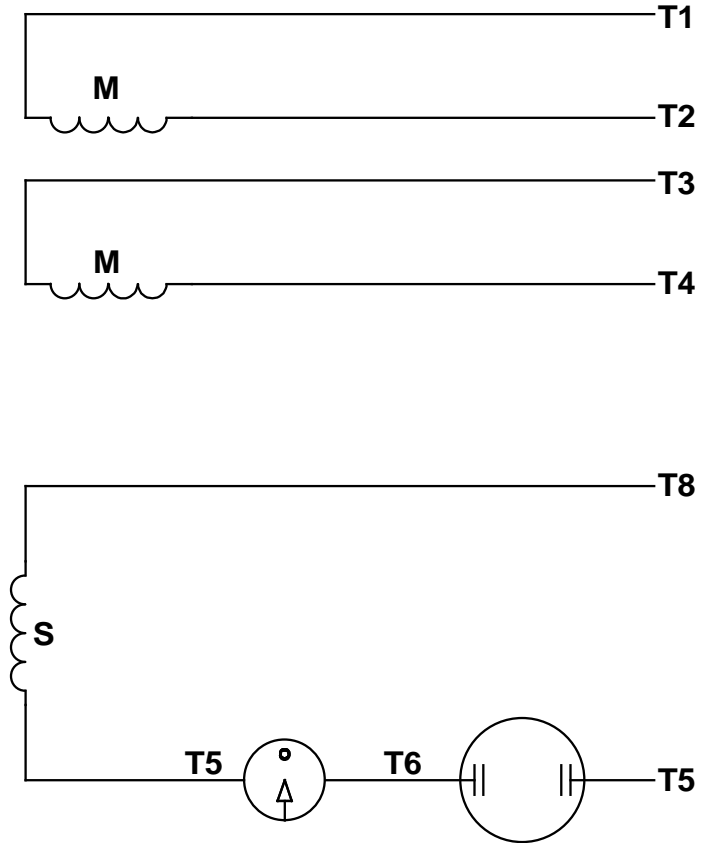
		TOLERANCES UNLESS SPECIFIED		LEESON ELECTRIC MOTORS GEARMOTORS AND DRIVES		DRAWN PG 11/28/05			
		DEC.	INCHES			CHK			
		.X	±.1	APPD					
		.XX	±.03	TITLE	OUTLINE - 48 FRAME				
		.XXX	±.005	TEFC GEARMOTOR					
		.XXXX	±.0005	MAT'L	1 PHASE				
		ANG	±1/2'	FINISH	STANDARD				
NO.	REVISION	BY & DATE	CHK	RFP	CAD FILE	031836	SIZE	DRAWING NO.	REV.
THIS DRAWING IN DESIGN AND DETAIL IS OUR PROPERTY AND MUST NOT BE USED EXCEPT IN CONNECTION WITH OUR WORK ALL RIGHTS OF DESIGN AND INVENTION ARE RESERVED THIS IS AN ELECTRONICALLY GENERATED DOCUMENT - DO NOT SCALE THIS PRINT				DIST			B	031836	

VIEW FROM OUTSIDE OF MOTOR AT SWITCH END.



RBC PROPRIETARY AND CONFIDENTIAL INFORMATION
 This document is the property of REGAL BELOIT CORPORATION ("RBC") including its subsidiaries and divisions and contains proprietary information of RBC. This document is loaned on the express condition that neither it nor the information contained therein shall be disclosed to others without the express written consent of RBC, and that the information shall be used by the recipient only as approved expressly by RBC. This document shall be returned to RBC upon its request. This document may be subject to certain restrictions under U.S. export control laws and regulations.

LINE LEADS



	ROTATION FACING LEAD END	L1	L2	JOIN
HIGH VOLT	C.C.W.	T1	T4, T5	T2, T3, T8
	C.W.	T1	T4, T8	T2, T3, T5
LOW VOLT	C.C.W.	T1, T3, T8	T2, T4, T5	-----
	C.W.	T1, T3, T5	T2, T4, T8	-----

--	REDRAWN IN SOLIDWORKS	VJB 02/16/11		TOLERANCES UNLESS SPECIFIED			ELECTRIC MOTORS GEARMOTORS AND DRIVES	DRAWN ADH 08/06/73
27	UPDATED TO CURRENT STANDARDS	DBT 05/27/97		DEC	INCHES			CHK
26	ADDED PAGE 32 (114787) & PAGE 33 (114788)	KAZ 12/20/95	PG	.X	±.1			APPR JCW 03/09/79
25	ADDED PAGE 31	KAZ 04/19/95	DL	.XX	±.01	TITLE	EXTERNAL WIRING DIAGRAM	SCALE 1:1
24	ADDED PAGES 29 & 30	KMM 03/30/95	DL	.XXX	±.005		TYPE "C" W/O PROTECTOR	REF FIG 2-23 C4A
23	ADDED PAGE 28	KMM 01/27/95		.XXXX	±.0005	MAT'L	DECAL - 004012	FMF MGI-2.4B
NO	REVISION	BY & DATE	CHK	ANG	±1/2°	FINISH		PAGE OF
THIRD ANGLE PROJECTION			RFP	PREV		SIZE	DRAWING NO	REV
			NETWORK FILE NAME		00500501	A	005005-01	--