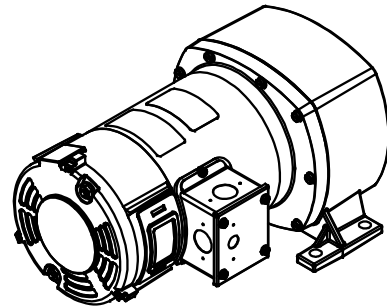
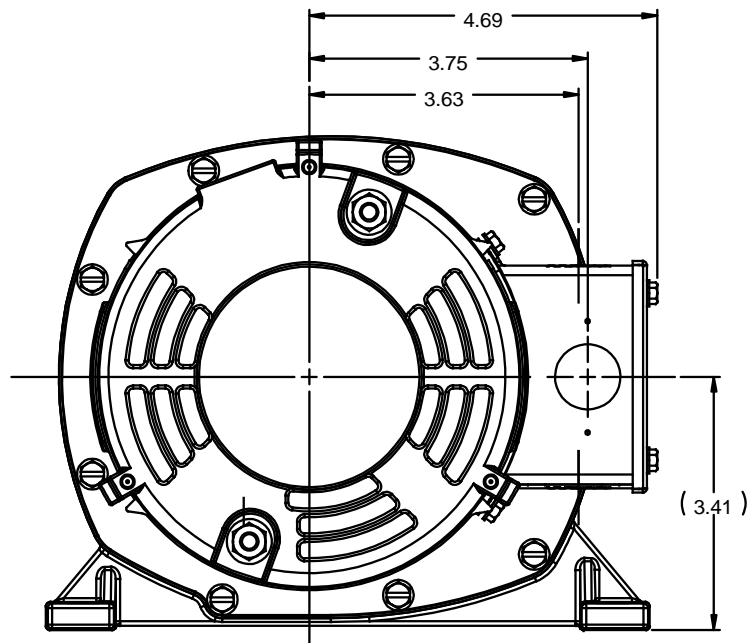
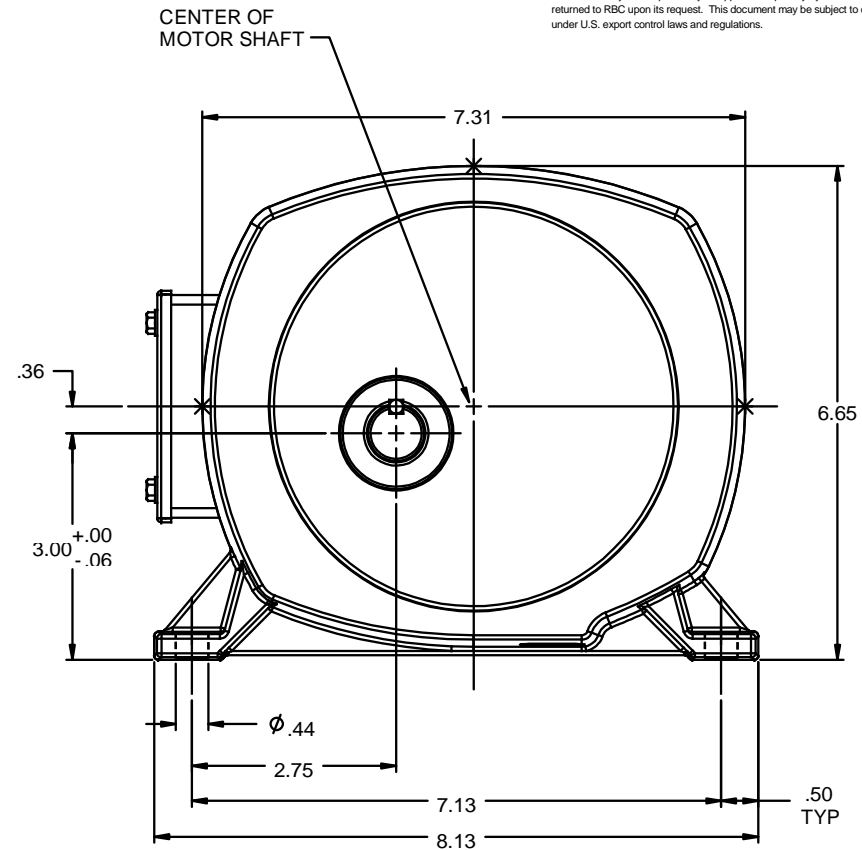
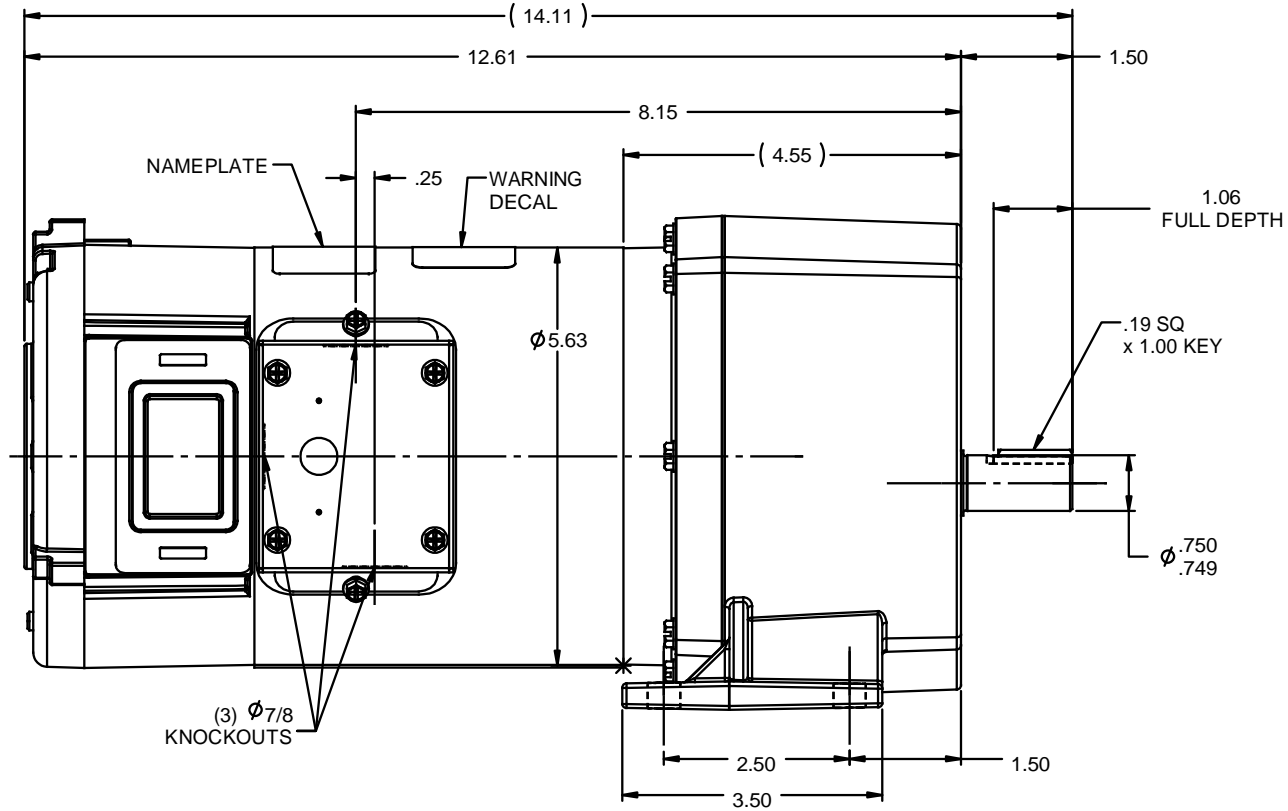


RBC PROPRIETARY AND CONFIDENTIAL INFORMATION
 This document is the property of REGAL BELOIT CORPORATION (RBC) including its subsidiaries and divisions and contains proprietary information of RBC. This document is loaned on the express condition that neither it nor the information contained therein shall be disclosed to others without the express written consent of RBC, and that the information shall be used by the recipient only as approved expressly by RBC. This document shall be returned to RBC upon its request. This document may be subject to certain restrictions under U.S. export control laws and regulations.



NOTES:
 1) GEARBOX OIL: MOBIL-MOBIL GEAR 600XP-320

108706.00	90	1/4	13:1	135	105
108705.00	90	1/4	19:1	92	160
108704.00	90	1/4	29:1	60	238
108703.00	90	1/4	42:1	42	353
108702.00	90	1/4	95:1	18	750
108701.00	90	1/4	143:1	12	1030
108700.00	90	1/4	212:1	8	1087

CATALOG No.	VOLTS	INPUT HP	GEAR RATIO	RPM	F.L. TORQUE (LB-IN)
-------------	-------	----------	------------	-----	---------------------

NO.	REVISION	BY & DATE	CHK	ANG	FINISH	PAGE	OF



ELECTRIC MOTORS
 GEARMOTORS
 AND DRIVES

DRAWN IPG 6/9/10
 CHK
 APPR

TOLERANCES UNLESS SPECIFIED

DEC INCHES

X +1

XX +03

XXX +005

XXXX +0005

TITLE

OUTLINE

48 FRAME DC - P1100 GEARBOX

MATL

FINISH

PREV

SCALE

1:2

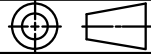
REF

031210

FMF

108700.00

THIRD ANGLE PROJECTION



RFP

PREV

SIZE

B

DRAWING NO

032033

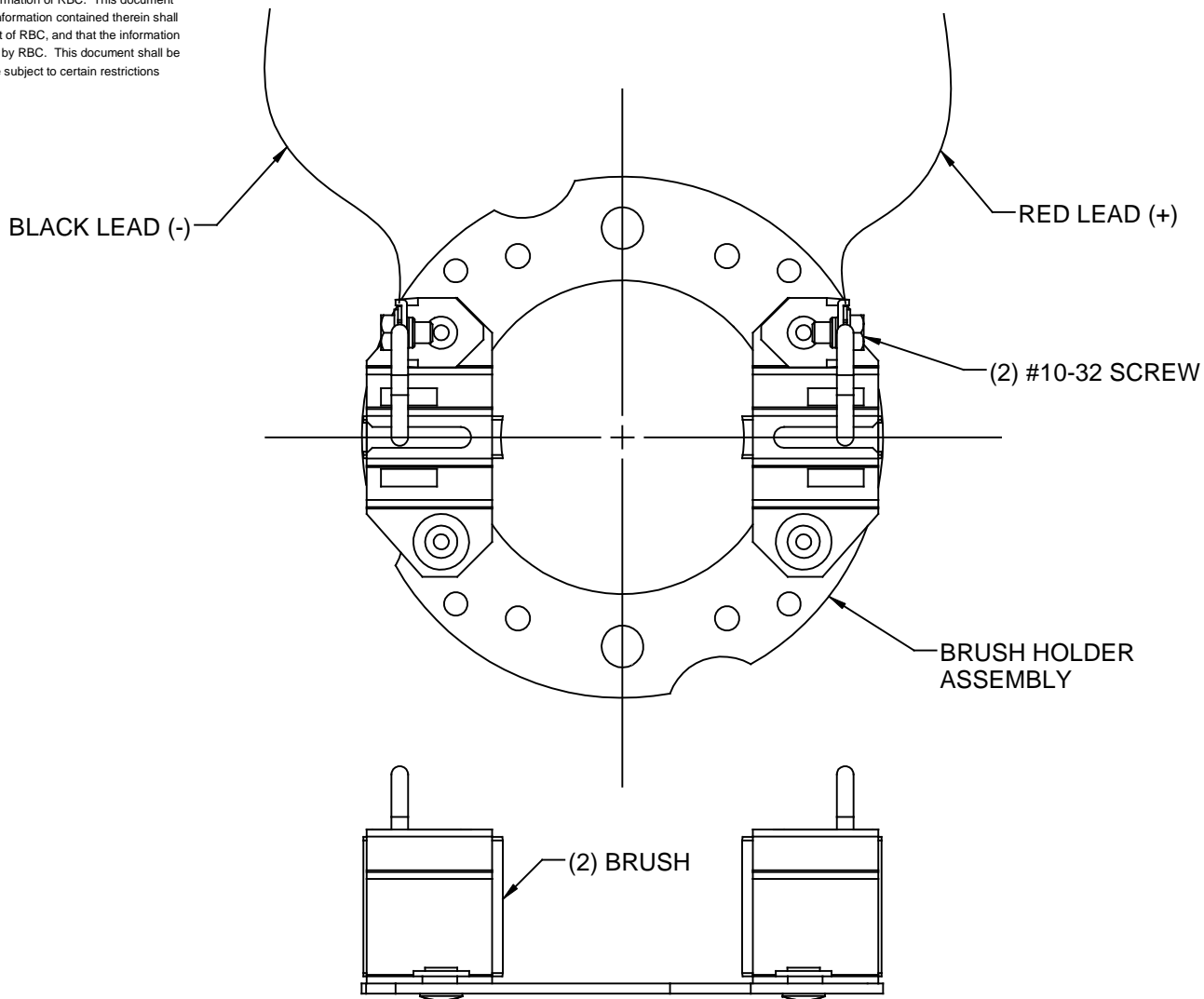
REV

NETWORK FILE NAME


032033

RBC PROPRIETARY AND CONFIDENTIAL INFORMATION

This document is the property of REGAL BELOIT CORPORATION ("RBC") including its subsidiaries and divisions and contains proprietary information of RBC. This document is loaned on the express condition that neither it nor the information contained therein shall be disclosed to others without the express written consent of RBC, and that the information shall be used by the recipient only as approved expressly by RBC. This document shall be returned to RBC upon its request. This document may be subject to certain restrictions under U.S. export control laws and regulations.



POLARITY: CCWLE

				TOLERANCES UNLESS SPECIFIED		 REGAL-BELOIT CORPORATION	DRAWN	IPG 12/10/07	
				DEC	INCHES		CHK	RWS 12/10/07	
				.X	±.1		APPR		
				.XX	±.01		SCALE	5:8	
01	INTERCHANGED RED AND BLACK LEADS	IPG 4/25/2008	BC	.XXX	±.005	TITLE	BRUSH/PLATE DRAWING		
	RELEASED	IPG 12/10/2007	RWS	.XXXX	±.0005		48 FRAME DC		
						MAT'L	REF	PR070348	
						FINISH	FMF	108022.75	
NO	REVISION	BY & DATE	CHK	ANG	±1/2°		PAGE	OF	
THIRD ANGLE PROJECTION			RFP		PREV	SIZE	DRAWING NO		REV
			NETWORK FILE NAME			A	499954.01		01