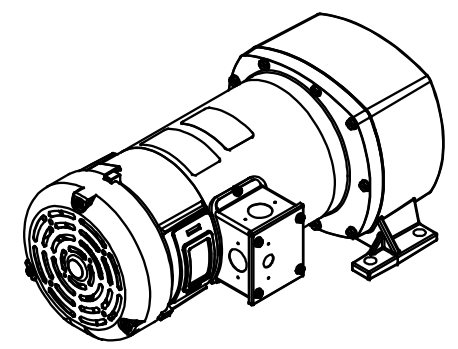
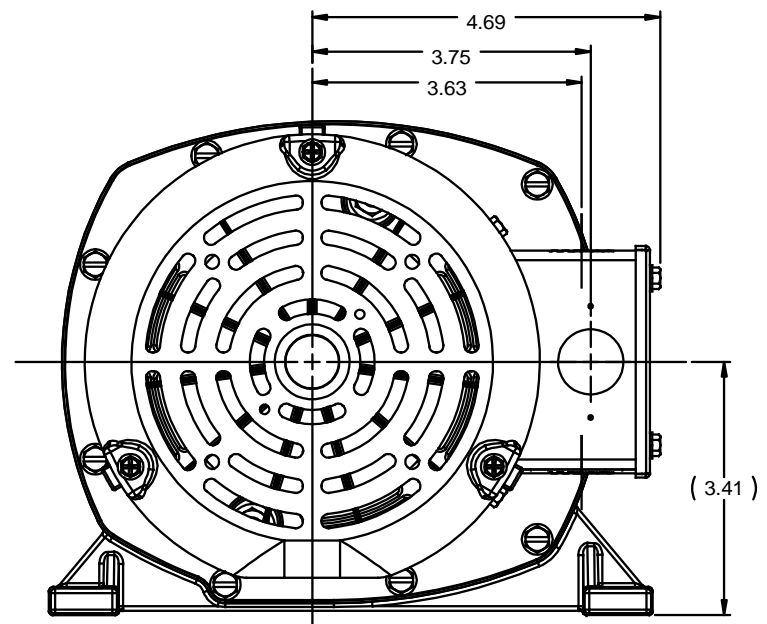
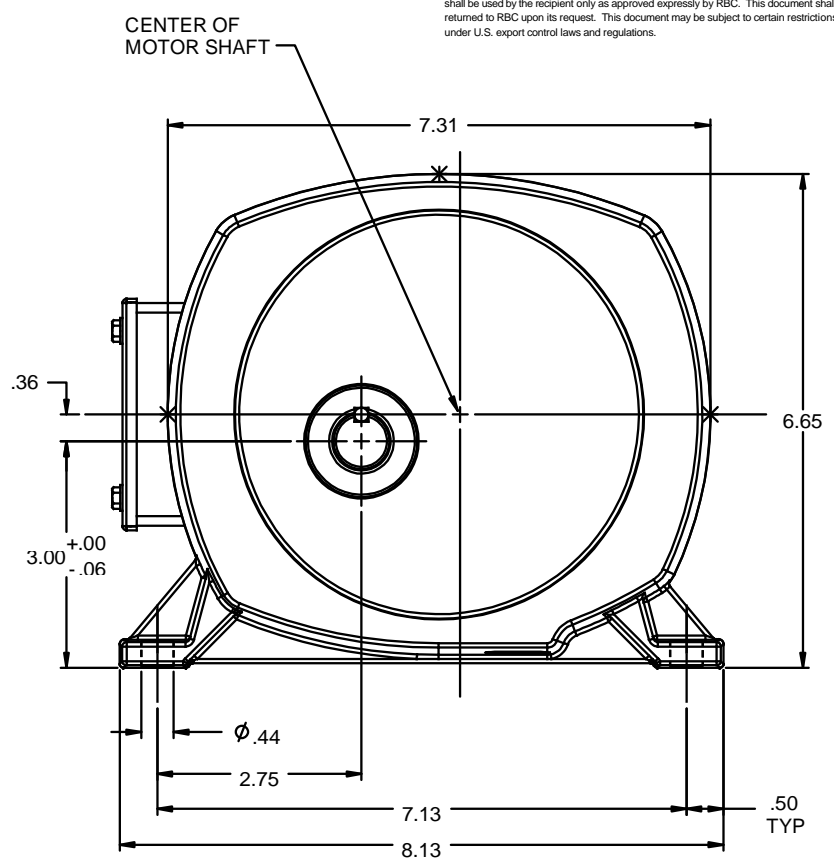
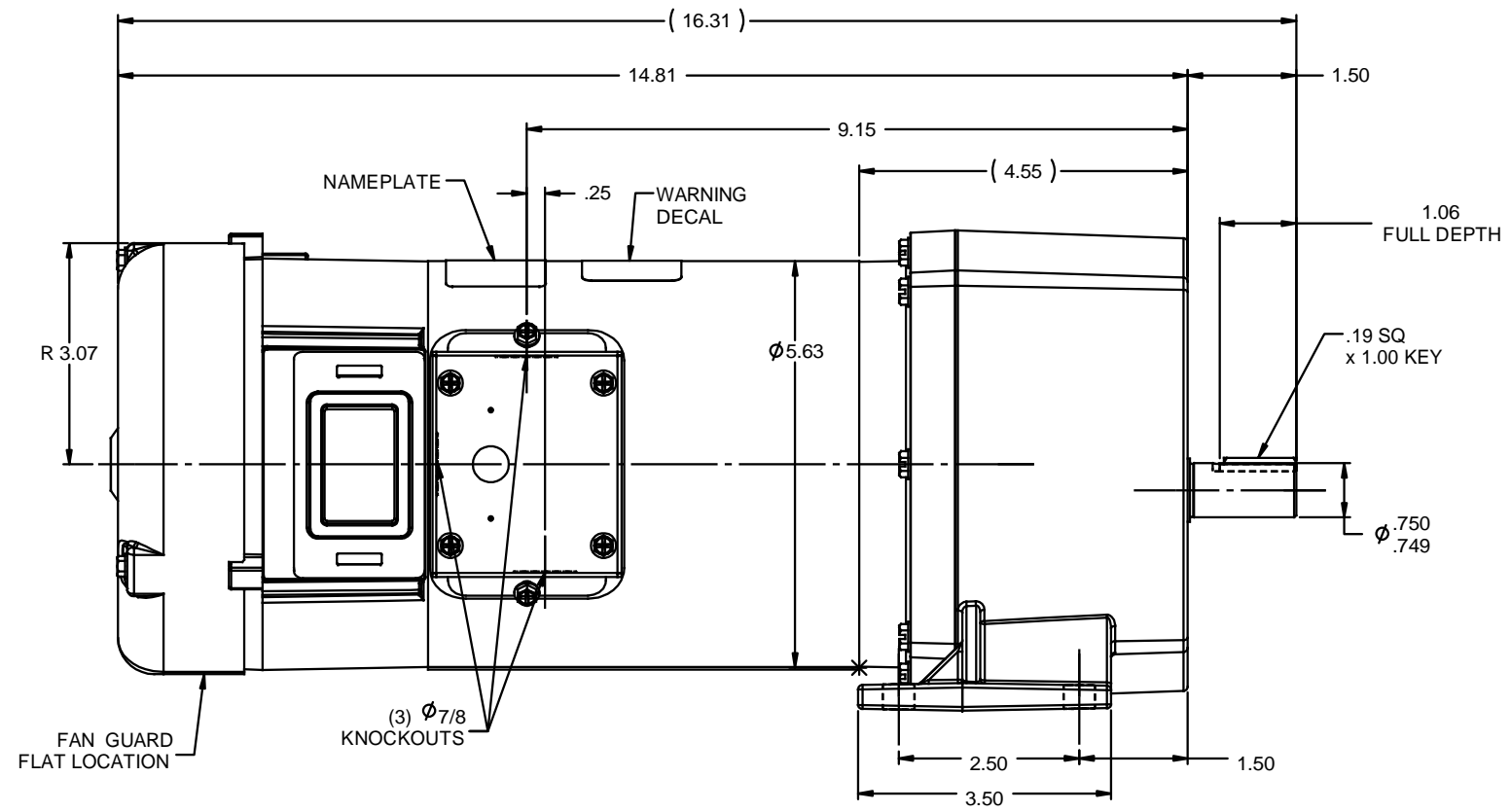


RBC PROPRIETARY AND CONFIDENTIAL INFORMATION
 This document is the property of REGAL BELOIT CORPORATION (RBC) including its subsidiaries and divisions and contains proprietary information of RBC. This document is loaned on the express condition that neither it nor the information contained therein shall be disclosed to others without the express written consent of RBC, and that the information shall be used by the recipient only as approved expressly by RBC. This document shall be returned to RBC upon its request. This document may be subject to certain restrictions under U.S. export control laws and regulations.



NOTES:
 1) GEARBOX OIL: MOBIL-MOBIL GEAR 600XP-320

CATALOG No.	VOLTS	INPUT HP	GEAR RATIO	RPM	F.L. TORQUE (LB-IN)
108712.00	90	1/2	13:1	135	210
108711.00	90	1/2	19:1	92	320
108710.00	90	1/2	29:1	60	476
108709.00	90	1/2	42:1	42	705
108708.00	90	1/2	53:1	33	822
108707.00	90	1/2	95:1	18	1112

NO	REVISION	BY & DATE	CHK	ANG	FINISH	PREV	SIZE	DRAWING NO	REV
00	RELEASED: REF. 031211 & 031879	PG 6/2/2010	PG	XXX	±.0005	MATL			
			RFP	ANG ±1/2°			B	032031	00

LEESON ELECTRIC MOTORS
 GEARMOTORS
 AND DRIVES

TITLE OUTLINE
 48 FRAME DC - P1100 GEARBOX

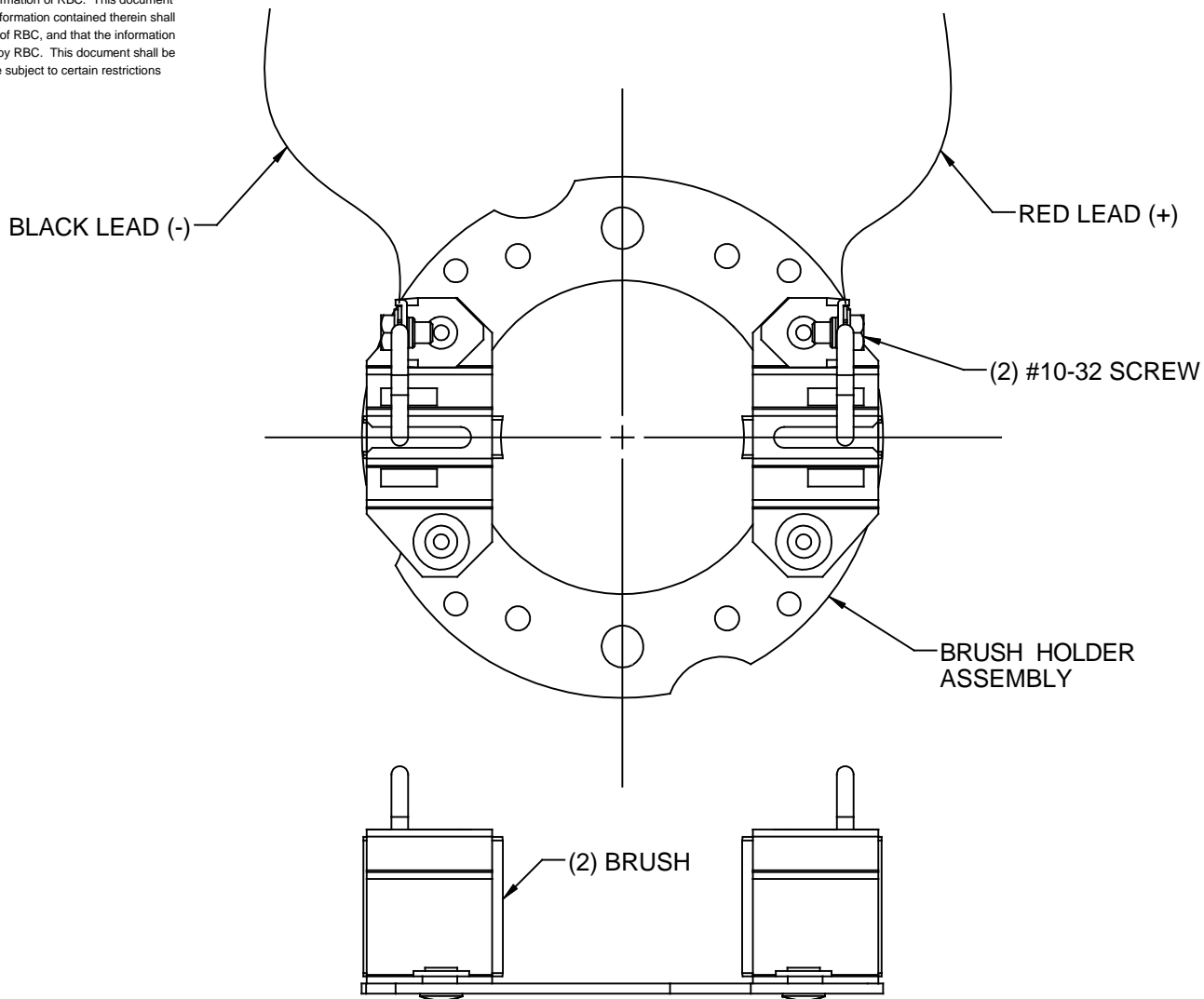
DRAWN JPG 6/2/10
 CHK PG 6/2/10
 APPR
 SCALE 1:2
 REF 031211
 EMF 108709.00
 PAGE OF




NETWORK FILE NAME 032031

RBC PROPRIETARY AND CONFIDENTIAL INFORMATION

This document is the property of REGAL BELOIT CORPORATION ("RBC") including its subsidiaries and divisions and contains proprietary information of RBC. This document is loaned on the express condition that neither it nor the information contained therein shall be disclosed to others without the express written consent of RBC, and that the information shall be used by the recipient only as approved expressly by RBC. This document shall be returned to RBC upon its request. This document may be subject to certain restrictions under U.S. export control laws and regulations.



POLARITY: CCWLE

				TOLERANCES UNLESS SPECIFIED		 REGAL-BELOIT CORPORATION	DRAWN	IPG 12/10/07	
				DEC	INCHES		CHK	RWS 12/10/07	
				.X	±.1		APPR		
				.XX	±.01		SCALE	5:8	
01	INTERCHANGED RED AND BLACK LEADS	IPG 4/25/2008	BC	.XXX	±.005	TITLE	BRUSH/PLATE DRAWING		
	RELEASED	IPG 12/10/2007	RWS	.XXXX	±.0005		48 FRAME DC		
NO	REVISION	BY & DATE	CHK	ANG	±1/2°	MAT'L	REF	PR070348	
						FINISH	FMF	108022.75	
				RFP		PREV	PAGE	OF	
THIRD ANGLE PROJECTION				NETWORK FILE NAME		SIZE	DRAWING NO		
						A	499954.01		
							REV		
							01		