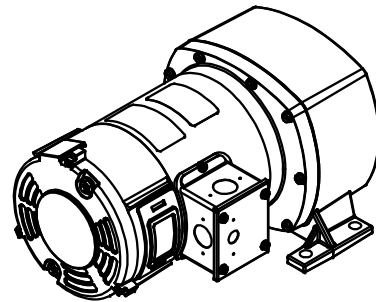
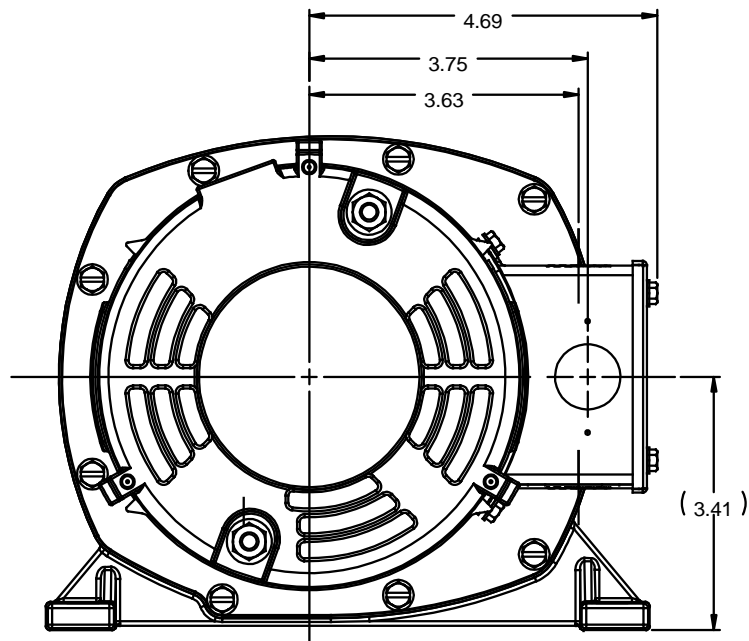
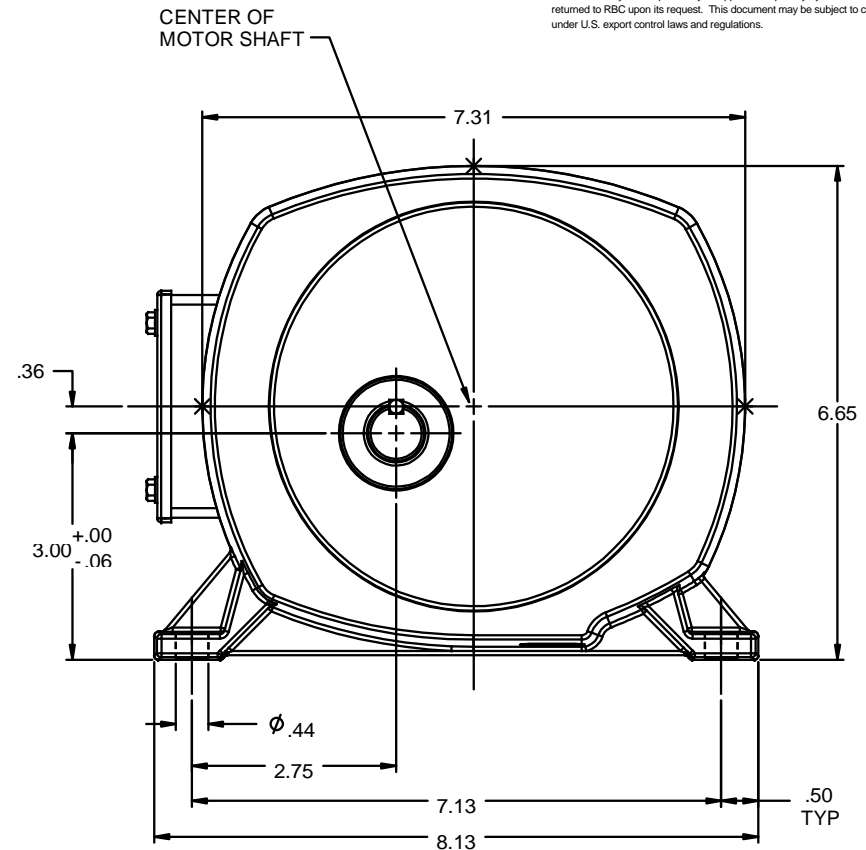
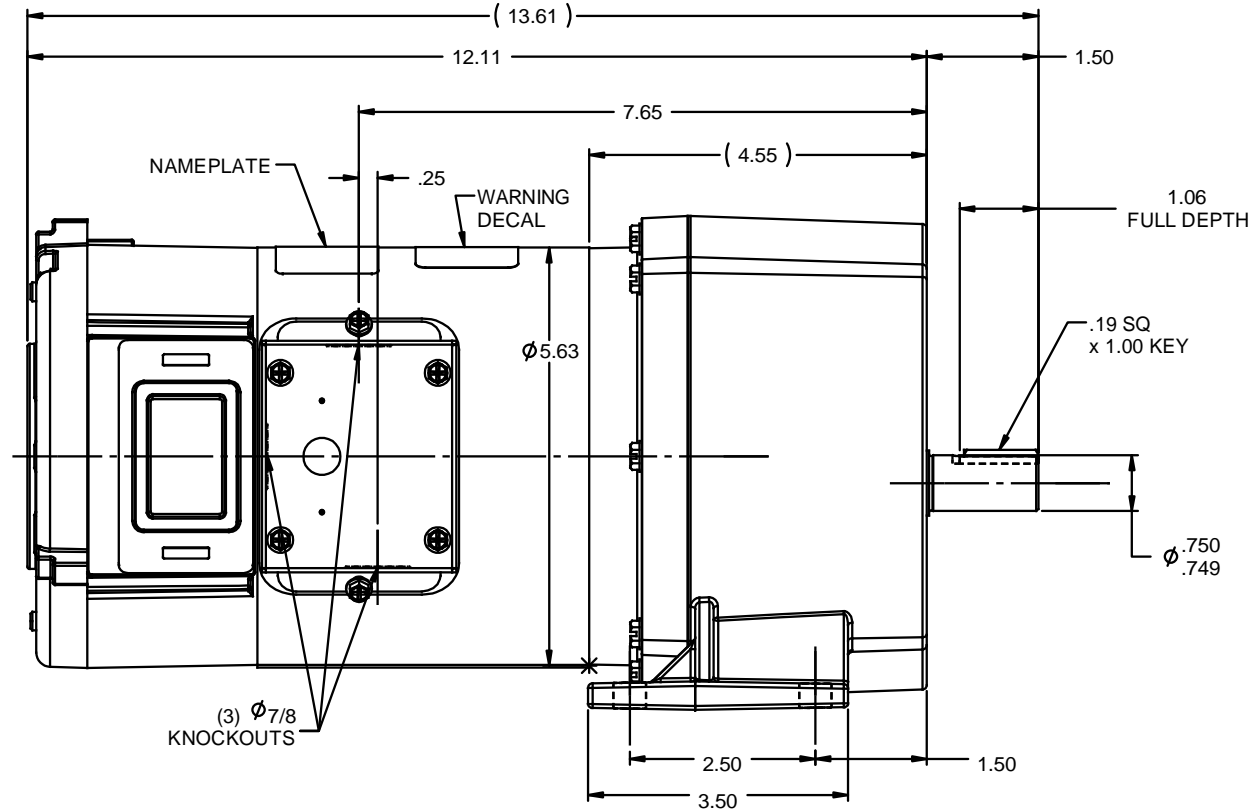


RBC PROPRIETARY AND CONFIDENTIAL INFORMATION
 This document is the property of REGAL BELOIT CORPORATION (RBC) including its subsidiaries and divisions and contains proprietary information of RBC. This document is loaned on the express condition that neither it nor the information contained therein shall be disclosed to others without the express written consent of RBC, and that the information shall be used by the recipient only as approved expressly by RBC. This document shall be returned to RBC upon its request. This document may be subject to certain restrictions under U.S. export control laws and regulations.



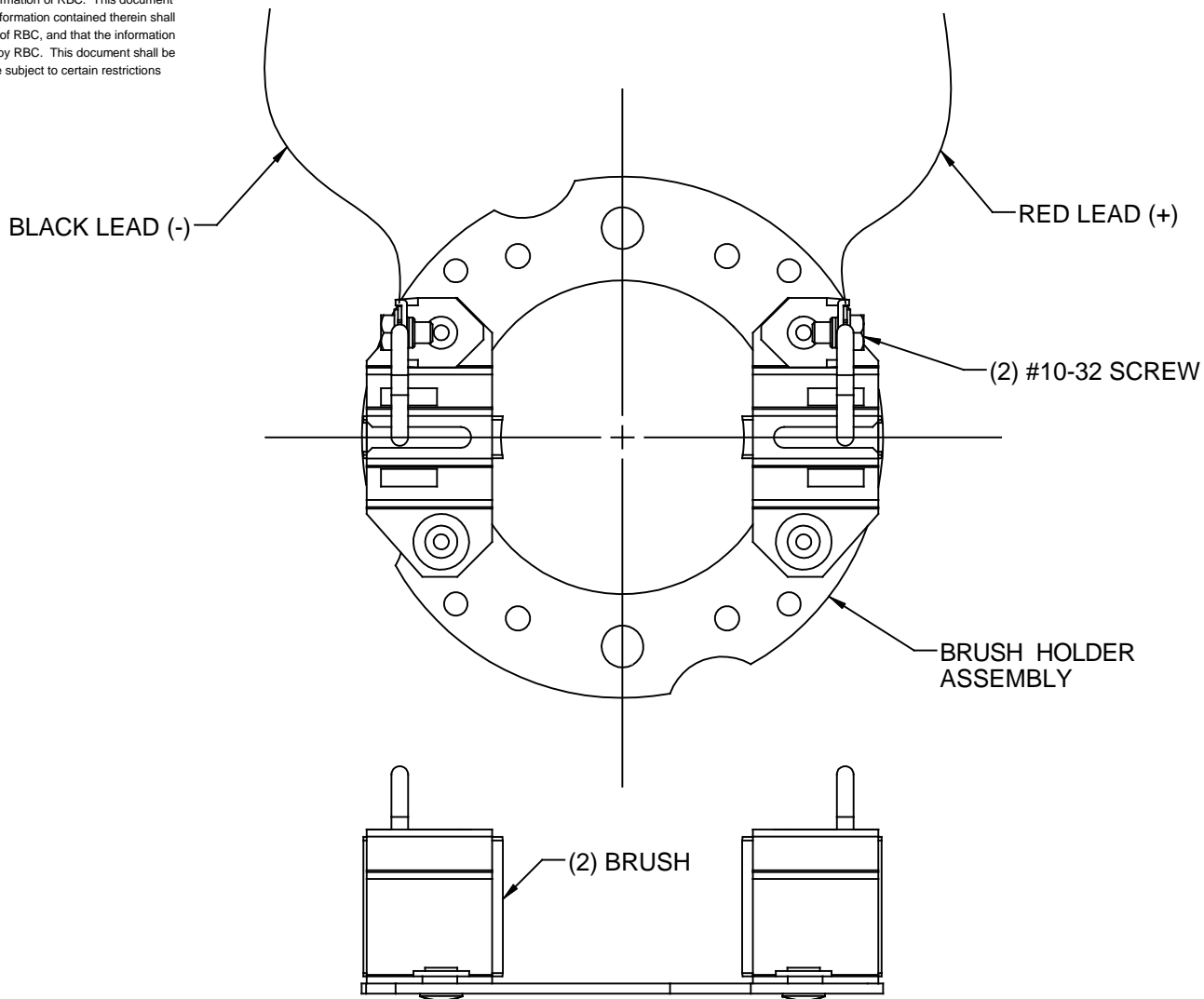
NOTES:
 1) GEARBOX OIL: MOBIL-MOBIL GEAR 600XP-320

| 108730.00 | 12 | 1/4 | 29:1 | 60 | 238 |
|-------------|-------|----------|------------|-----|----------------------|
| 108729.00 | 12 | 1/4 | 212:1 | 8 | 1087 |
| CATALOG No. | VOLTS | INPUT HP | GEAR RATIO | RPM | F.L. TORQUE (L.B-IN) |


| | | | | | | |
|--------------------------------|--|--------------|-----------------------------|-----------|---|-------------------|
| RELEASED: REF. 031612 & 032033 | | PG 6/15/2010 | TOLERANCES UNLESS SPECIFIED | | ELECTRIC MOTORS GEARMOTORS AND DRIVES | DRAWN IPG 6/15/10 |
| REVISION | | BY & DATE | DEC | INCHES | | CHK |
| NO | | | X | ±.1 | TITLE | SCALE 1:2 |
| | | | XX | ±.03 | OUTLINE | REF 031612 |
| | | | XXX | ±.005 | 48 FRAME DC - P1100 GEARBOX | EMF 108729.00 |
| | | | XXX | ±.0005 | MATI | PAGE OF |
| | | | CHK | ANG ±1/2° | FINISH | |
| THIRD ANGLE PROJECTION | | | RFP | PREV | SIZE | DRAWING NO |
| | | | NETWORK FILE NAME | 032034 | B | 032034 |
| | | | | | | REV |

RBC PROPRIETARY AND CONFIDENTIAL INFORMATION

This document is the property of REGAL BELOIT CORPORATION ("RBC") including its subsidiaries and divisions and contains proprietary information of RBC. This document is loaned on the express condition that neither it nor the information contained therein shall be disclosed to others without the express written consent of RBC, and that the information shall be used by the recipient only as approved expressly by RBC. This document shall be returned to RBC upon its request. This document may be subject to certain restrictions under U.S. export control laws and regulations.



POLARITY: CCWLE

| | | | | | | | | | |
|----|----------------------------------|----------------|-----|-----------------------------|--------|---|---------------------|--------------|--|
| | | | | TOLERANCES UNLESS SPECIFIED | |  REGAL-BELOIT CORPORATION | DRAWN | IPG 12/10/07 | |
| | | | | DEC | INCHES | | CHK | RWS 12/10/07 | |
| | | | | .X | ±.1 | | APPR | | |
| | | | | .XX | ±.01 | | SCALE | 5:8 | |
| 01 | INTERCHANGED RED AND BLACK LEADS | IPG 4/25/2008 | BC | .XXX | ±.005 | TITLE | BRUSH/PLATE DRAWING | | |
| | RELEASED | IPG 12/10/2007 | RWS | .XXXX | ±.0005 | | 48 FRAME DC | | |
| NO | REVISION | BY & DATE | CHK | ANG | ±1/2° | MAT'L | REF | PR070348 | |
| | | | | | | FINISH | FMF | 108022.75 | |
| | | | | RFP | PREV | SIZE | DRAWING NO | REV | |
| | | | | NETWORK FILE NAME | | A | 499954.01 | 01 | |

THIRD ANGLE PROJECTION

