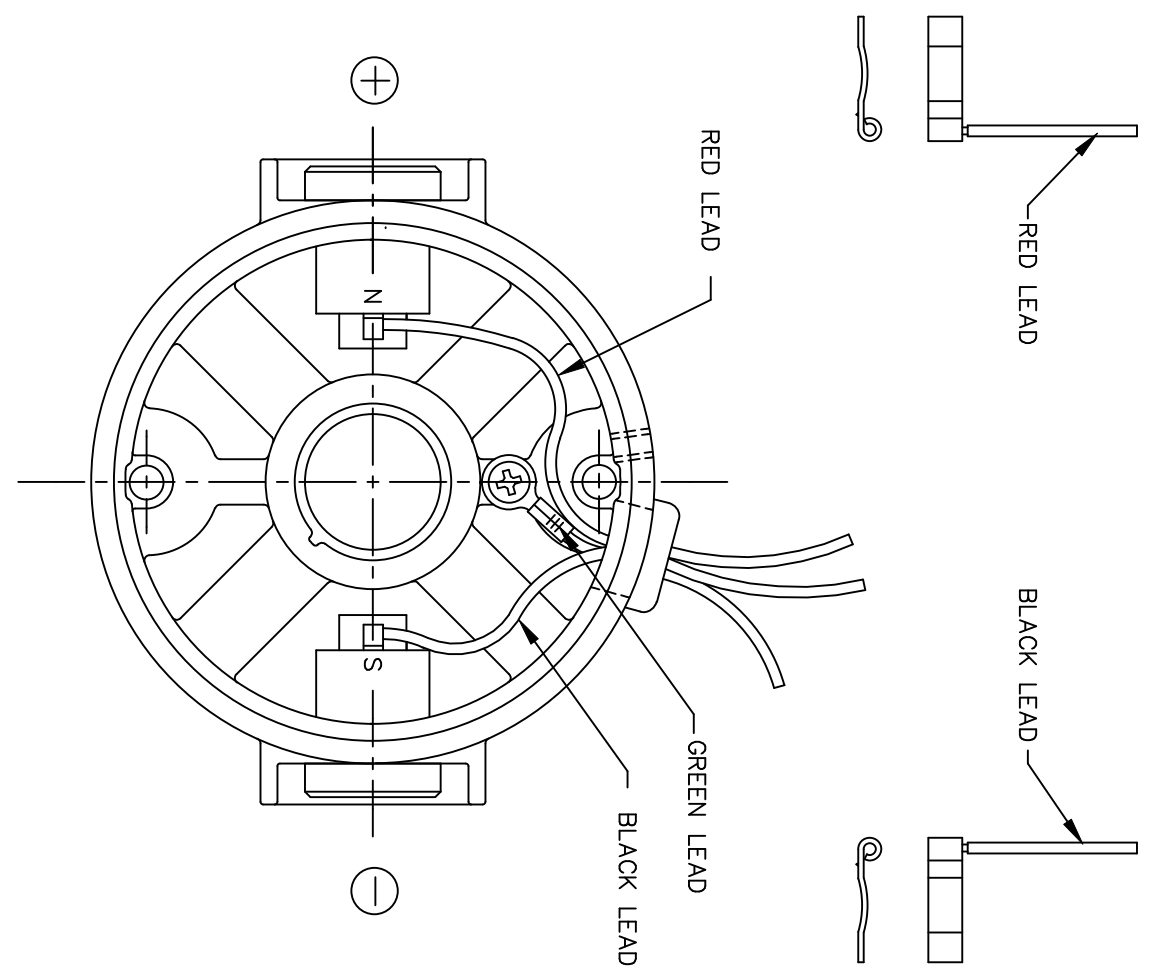


CATALOG NUMBER	SPEED RANGE RPM	FULL LOAD TORQUE LB-IN	INPUT H.P.	OVER-HUNG LOAD LBS.	GEAR MOTOR TYPE & FRAME	RATIO	"XH"	"XL"	TOLERANCES UNLESS SPECIFIED		LEESON	ELECTRIC MOTORS GEARMOTORS AND DRIVES	DRAWN IPG 1/23/01		
									DEC	INCHES				CHK	
M1135249.00	42-7	80	1/8	235	13F60-34C	60:1	5.89	10.39	--	REDRAWN IN SOLIDWORKS	PG 8/17/10	XX ±.03	TITLE OUTLINE	APPR SAD 1/23/01	
M1135250.00	250-4	25	1/8	235	13F10-34C	10:1	5.89	10.39	07	CHANGED TO DIE CAST GEARBOX. ECN 06-3023	RPB 7/12/06	XXX ±.005	34 FRAME DC - 13 SERIES 12 V. GEARMOTOR	SCALE 9:16	
M1135251.00	62-1	135	1/4	235	13F40-34G	40:1	8.14	12.64	NO		BC XXXX ±.0005	MATL	REF M1030350		
M1135252.00	125-2.1	90	1/4	235	13F20-34G	20:1	8.14	12.64	NO		CHK ANG ±1/2"	FINISH	FMF M1135249.00		
REVISION										BY & DATE	RFP	PREV	PAGE OF		
THIRD ANGLE PROJECTION											NETWORK FILE NAME	M1030810	SIZE	DRAWING NO	REV
											B	M1030810	--		

D.C. MOTORS



EXTERNAL CONNECTIONS FOR CW ROTATION
 VIEWING LEAD END OF MOTOR WITH RED LEAD
 POSITIVE AND BLACK LEAD NEGATIVE (-)
 FOR CCW ROTATION REVERSE POLARITY

				TOLERANCES UNLESS OTHERWISE SPECIFIED		LEESON ELECTRIC CORPORATION			
				DECIMALS					
03	CORRECTED "N" AND "S", ECR 80000 (PER B.C.)	VS	08/15/02	.00	± .01	DRAWN DWF 3/26/93	TITLE CONNECTION DIAGRAM		
02	ROTATED DETAIL VIEWS OF LEADS	SAD	2/4/98	.000	± .005	CH'K'D.			
01	REVERSE ROTATION WAS CW	SPV	6/3/94	.0000	± .0005	APPR.	MAT'L.		
NO.	REVISION	BY	DATE	FRACTIONS	± 1/64	SCALE 1=1			
THIS DRAWING IN DESIGN AND DETAIL IS OUR PROPERTY AND MUST NOT BE USED EXCEPT IN CONNECTION WITH OUR WORK ALL RIGHTS OF DESIGN OR INVENTION ARE RESERVED				ANGLES	± 1/2'	REF. M1005124	FINISH LEESON	SIZE A	DRAWING NO.
				INCH/MM		FMF M1125046	STOCK		M1005143-01