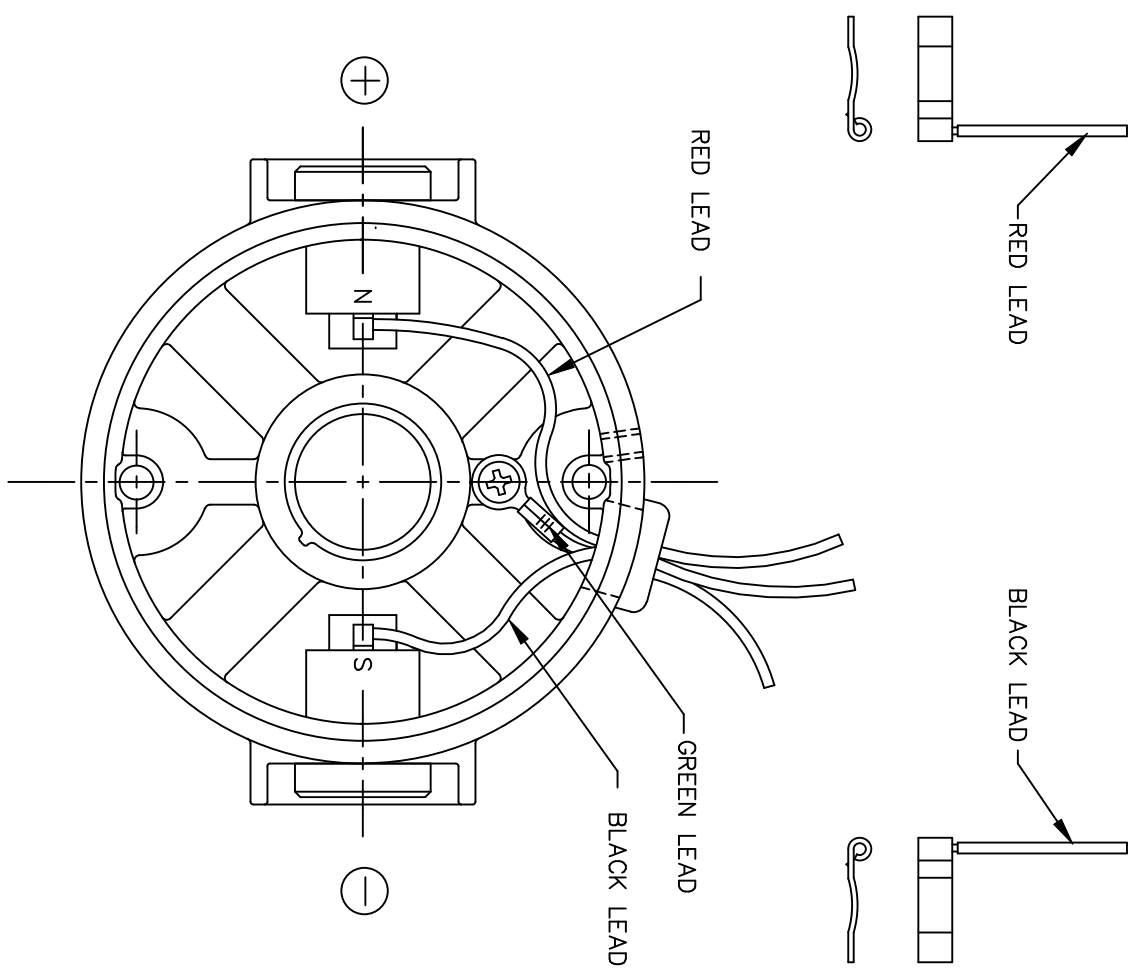


| CATALOG NUMBER         | SPEED RANGE RPM | FULL LOAD TORQUE LB-IN | INPUT H.P. | OVERHUNG LOAD LBS. | GEAR MOTOR TYPE & FRAME | RATIO | "XH" | "XL"  | TOLERANCES UNLESS SPECIFIED |  | LEESON            | ELECTRIC MOTORS GEARMOTORS AND DRIVES | DRAWN IPG 1/23/01                       |                  |     |
|------------------------|-----------------|------------------------|------------|--------------------|-------------------------|-------|------|-------|-----------------------------|--|-------------------|---------------------------------------|---|------------------|-----|
|                        |                 |                        |            |                    |                         |       |      |       | DEC                         | INCHES                                   |                   |                                       |   | CHK              |     |
| M1135249.00            | 42-7            | 80                     | 1/8        | 235                | 13F60-34C               | 60:1  | 5.89 | 10.39 | --                          | REDRAWN IN SOLIDWORKS                    | PG 8/17/10        | XX ±.03                               | TITLE OUTLINE                           | APPR SAD 1/23/01 |     |
| M1135250.00            | 250-4           | 25                     | 1/8        | 235                | 13F10-34C               | 10:1  | 5.89 | 10.39 | 07                          | CHANGED TO DIE CAST GEARBOX, ECN 06-3023 | RPB 7/12/06       | XXX ±.005                             | 34 FRAME DC - 13 SERIES 12 V. GEARMOTOR | SCALE 9:16       |     |
| M1135251.00            | 62-1            | 135                    | 1/4        | 235                | 13F40-34G               | 40:1  | 8.14 | 12.64 | NO                          | REVISION                                 | BY & DATE         | BC XXXX ±.0005                        | MATL                                    | REF M1030350     |     |
| M1135252.00            | 125-2.1         | 90                     | 1/4        | 235                | 13F20-34G               | 20:1  | 8.14 | 12.64 |                             |  |                   | CHK ANG ±1/2"                         | FINISH                                  | FMF M1135249.00  |     |
| THIRD ANGLE PROJECTION |                 |                        |            |                    |                         |       |      |       |                             |  | RFP               | PREV                                  | SIZE                                    | DRAWING NO       | REV |
|                        |                 |                        |            |                    |                         |       |      |       |                             |  | NETWORK FILE NAME | M1030810                              | B                                       | M1030810         | --  |

D.C. MOTORS



EXTERNAL CONNECTIONS FOR CW ROTATION  
 VIEWING LEAD END OF MOTOR WITH RED LEAD  
 POSITIVE AND BLACK LEAD NEGATIVE (-)  
 FOR CCW ROTATION REVERSE POLARITY

|  |   |     |          |                                       |         |                                    |                          |        |             |
|--|---|-----|----------|---------------------------------------|---------|------------------------------------|--------------------------|--------|-------------|
|  |   |     |          | TOLERANCES UNLESS OTHERWISE SPECIFIED |         | <b>LEESON</b> ELECTRIC CORPORATION |                          |        |             |
|  |   |     |          | DECIMALS                              |         |                                    |                          |        |             |
| 03   | CORRECTED "N" AND "S", ECR 80000 (PER B.C.) | VS  | 08/15/02 | .00                                   | ± .01   | DRAWN DWF 3/26/93                  | TITLE CONNECTION DIAGRAM |        |             |
| 02   | ROTATED DETAIL VIEWS OF LEADS               | SAD | 2/4/98   | .000                                  | ± .005  | CH'K'D.                            |                          |        |             |
| 01   | REVERSE ROTATION WAS CW                     | SPV | 6/3/94   | .0000                                 | ± .0005 | APPR.                              | MAT'L.                   |        |             |
| NO.  | REVISION                                    | BY  | DATE     | FRACTIONS                             | ± 1/64  | SCALE 1=1                          |                          |        |             |
| THIS DRAWING IN DESIGN AND DETAIL IS OUR PROPERTY AND MUST NOT BE USED EXCEPT IN CONNECTION WITH OUR WORK ALL RIGHTS OF DESIGN OR INVENTION ARE RESERVED |   |     |          | ANGLES                                | ± 1/2'  | REF. M1005124                      | FINISH LEESON            | SIZE A | DRAWING NO. |
|  |   |     |          | INCH/MM                               |         | FMF M1125046                       | STOCK                    |        | M1005143-01 |