



A Regal Brand

Catalog # : M1145028.00

Product Type: ACSG

Description:

Model: M1145028.00

Stock: Y

Engineering Data

RPM	139/116	Volts	115/230	Volts	
HP/KW	.06/.06	F.L. Amps	1.5/.75	F.L. Amps	1/5
Frame	38	S. F Amps		S. F Amps	
Max Amb	40	Hertz		Phase	1
Insul Class	F4	Duty	CONT	TYPE	PN
		Serv. Factor	1.0/1.0	PF	
Eff 100%		Eff 75%		Enclosure	TENV
Protection	NOT	Therm.Prot.		Bearing OPE	6201-13
Design		Code	D	Bearing PE	6201-13
UL	Yes	CSA	Yes	CE	No
Series	P240	Nameplate	M1004149.02	Lubrication	
		Overrlung Ld.	208	Shaft Type	PARALLEL

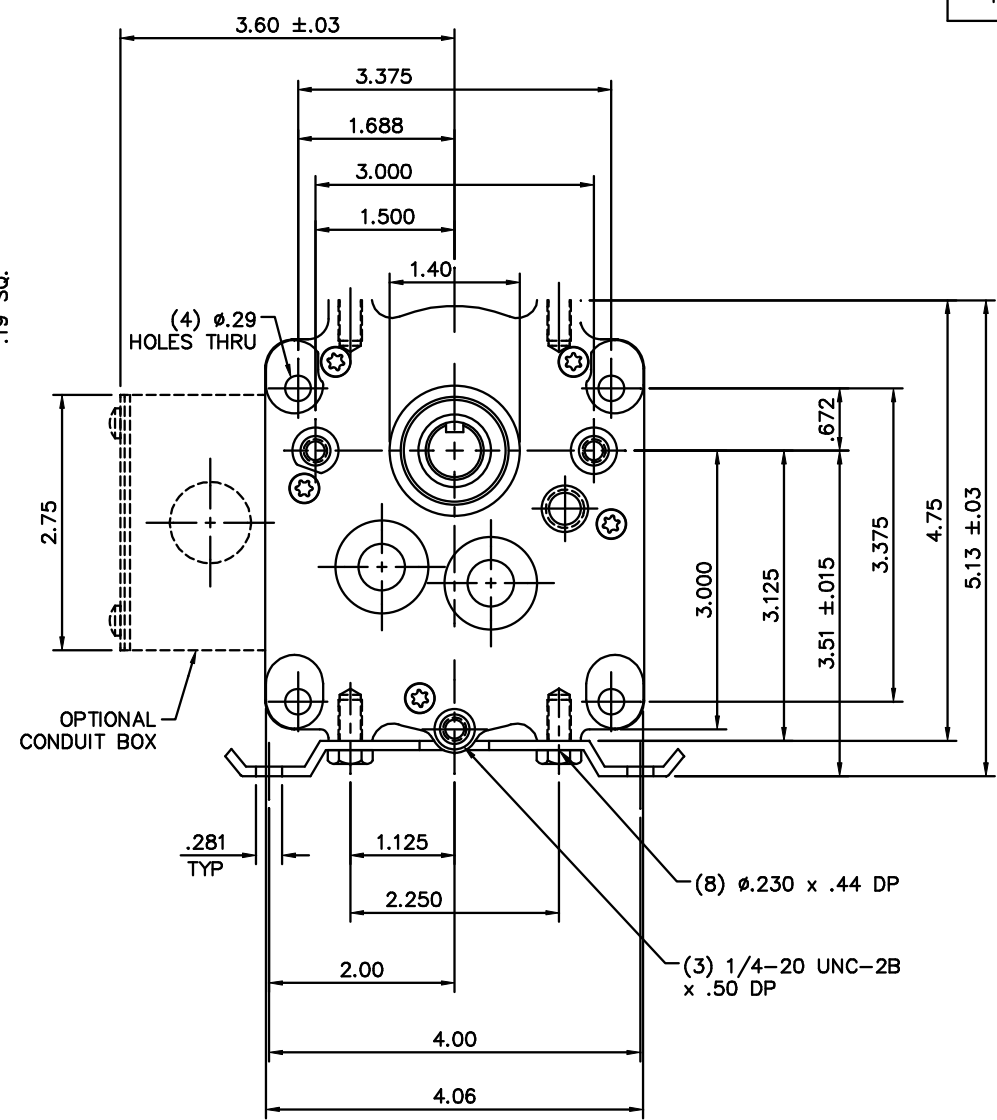
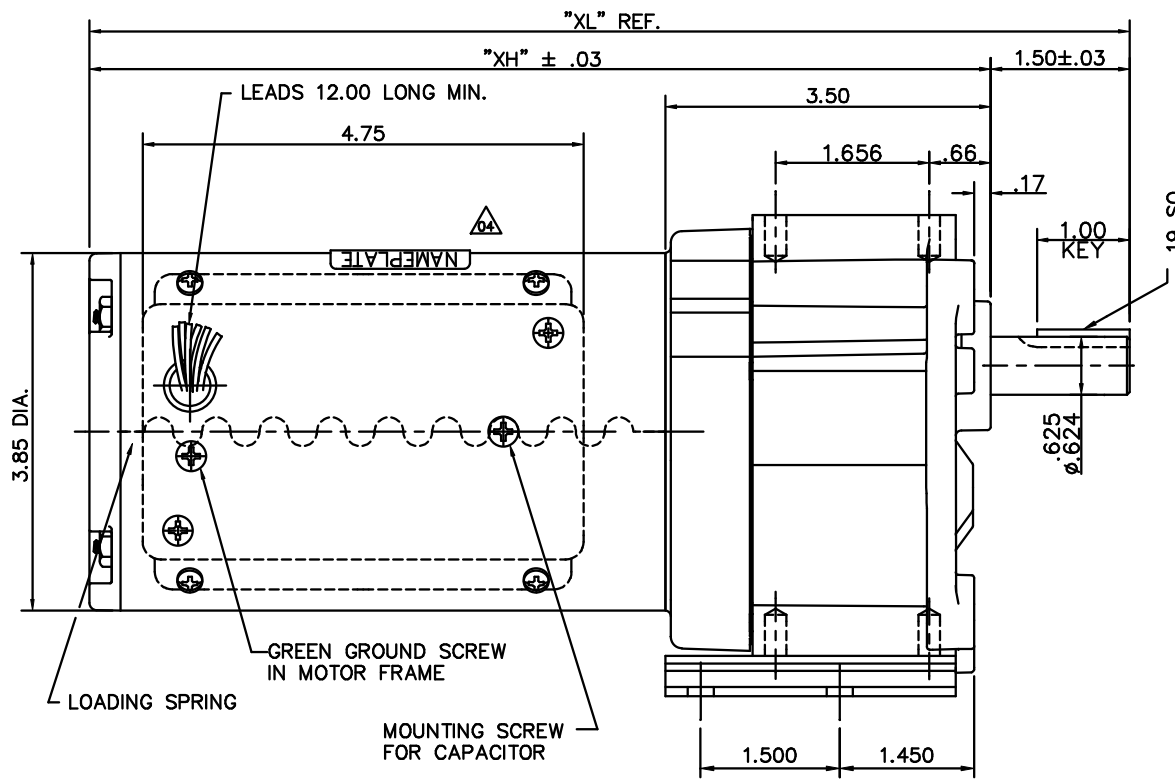
Motor Wt.	13 LB	Mounting	SPECIAL	Rotation	RECONN
Carton Label	Subfrac Individual	Assembly	M1040400		
Winding	MP38420	Shaft Dia.	5/8	Ext. Diag2.	
GROUP :	3 E	Paint	M1305027.01	Packaging	M1307027.01
Test Card	01	Outline	M1030380	Cust Part No	

Form Factor		RMS Amps	
Torque		Peak	
AB Code		Peak@DegC	
Resistance			
Connection		Const Torque	

Rework Status Rework TYPE

4Explosion Proof		2Brake Motors
Temp Op Code		FORCE
Class	GROUP	VDC
Class	GROUP	ADC

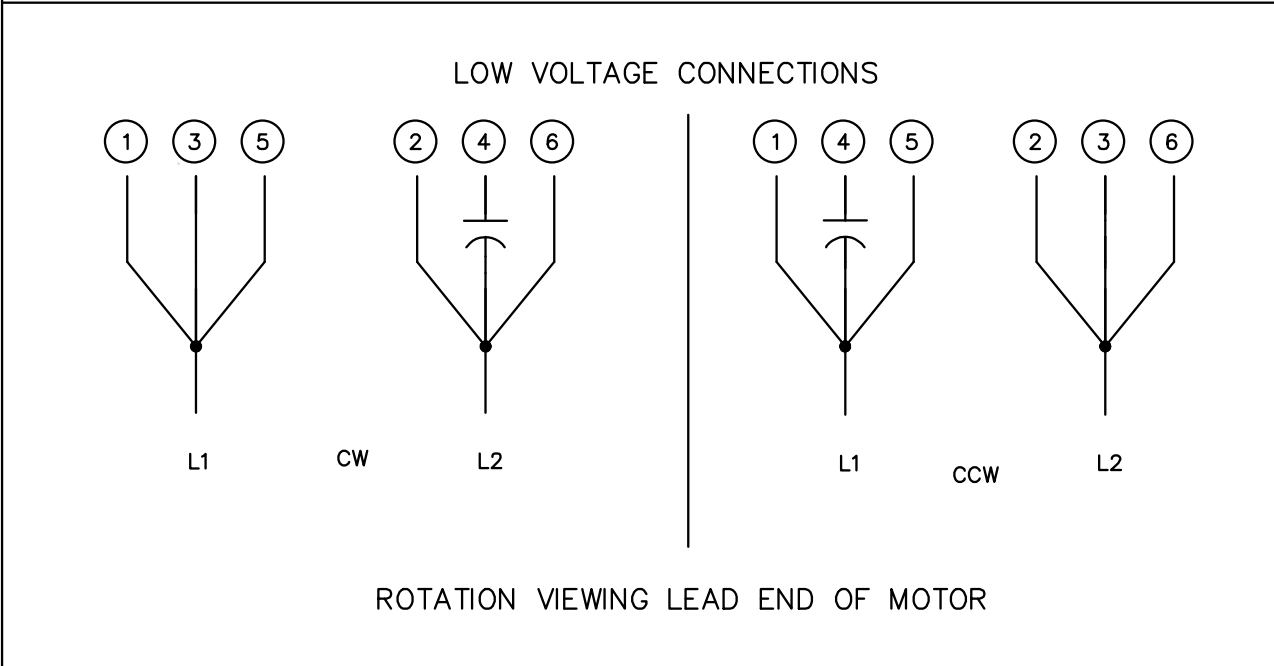
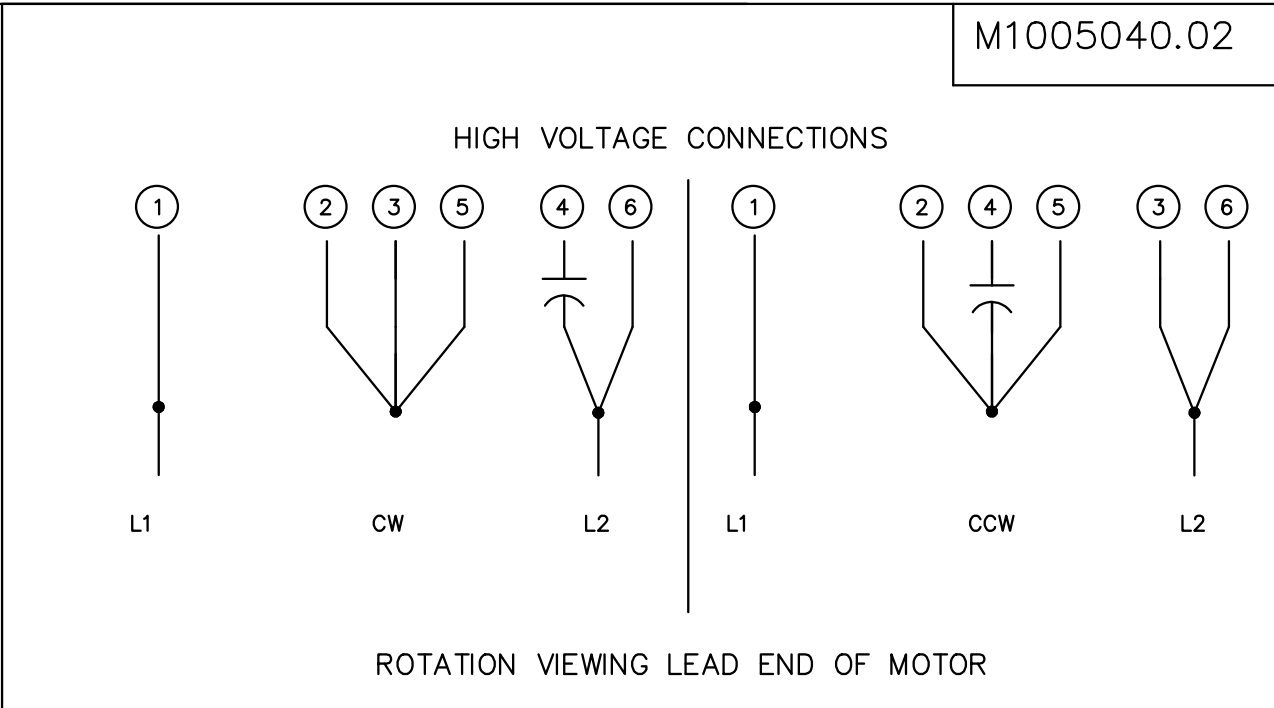
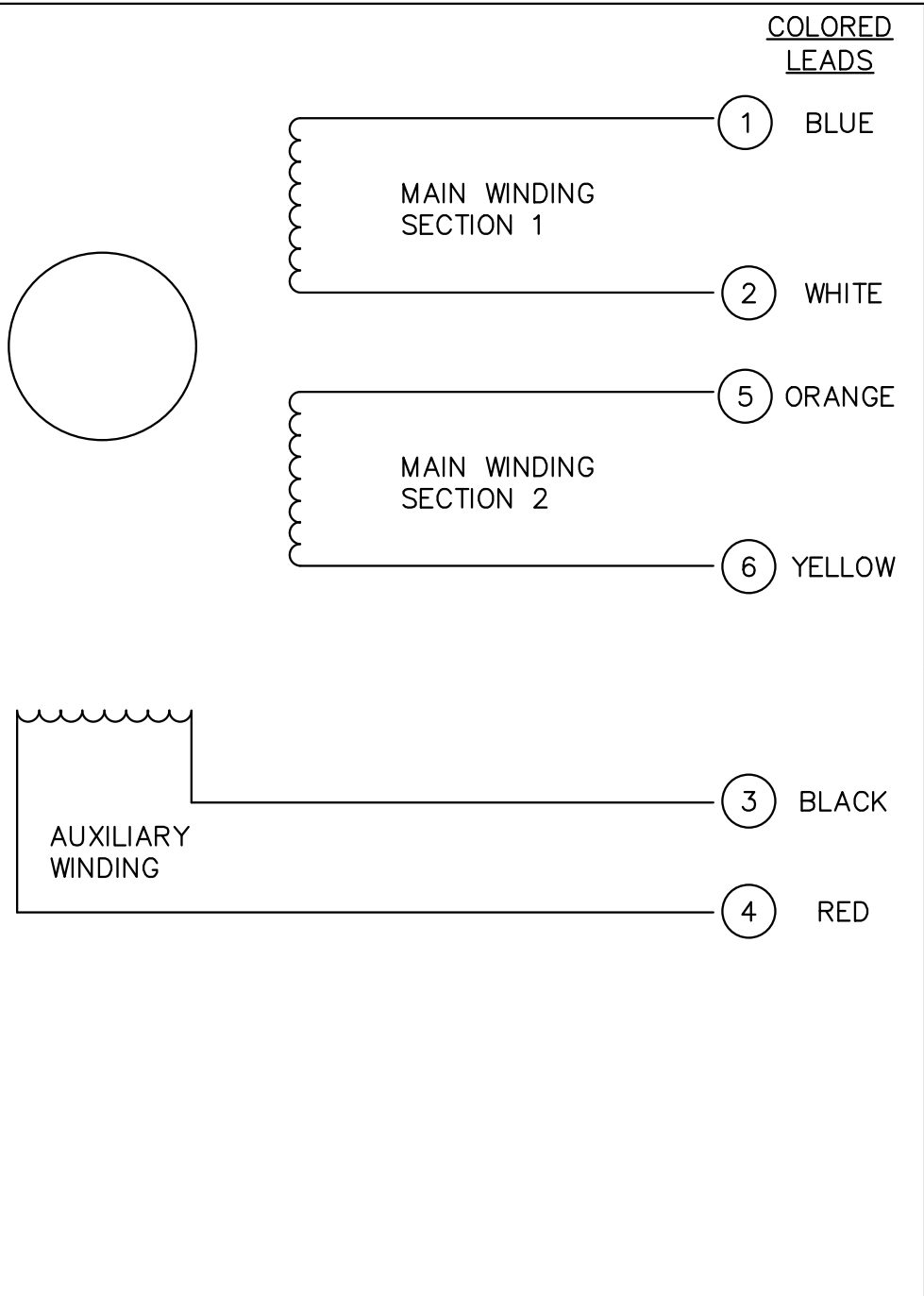
M1030380



CATALOG NUMBER	OUTPUT RPM	FULL LOAD TORQUE LB.-IN.	INPUT HP	OVERHUNG LOAD LBS.	GEARMOTOR TYPE & FRAME	RATIO TO 1	"XL"	"XH"
M1145023.00	15	208	1/15	407	P243-38	114	10.46	8.96
M1145024.00	30	135	1/15	330	P242-38	52	10.46	8.96
M1145025.00	45	92	1/15	292	P242-38	35	10.46	8.96
M1145026.00	70	61	1/15	256	P242-38	23	10.46	8.96
M1145027.00	97	43	1/15	232	P242-38	16.5	10.46	8.96
M1145028.00	139	30	1/15	208	P242-38	11.5	10.46	8.96
M1145029.00	8	345	1/15	491	P243-38	216	10.46	8.96

05	EXTENDED 3 PT MOUNTING HOLES .14" TO MAKE FLUSH	RLW	6/25/02		TOLERANCES UNLESS SPECIFIED	ELECTRIC MOTORS GEARMOTORS AND DRIVES	DRAWN	SPV 05/21/94			
04	REV'D NAMEPLATE APPEARANCE FOR ASSEMBLY	BJB	6/25/02	DWF	DEC.		INCHES	CHK			
	CLARITY PER ECR 65231				.X	±.1	APPD	DWF 05/21/94			
03	3.50 WAS 3.562, 5.13 WAS 5.19	SPV	06/29/95		.XX	±.03	TITLE	SCALE 5=8			
02	ADDED CAPACITOR MOUNTING SCREW	SPV	06/29/95		.XXX	±.005	OUTLINE DRAWING	REF			
01	REVISED TO NEW STOCK STANDARDS	TMZ	05/15/95		.XXXX	±.0005	P240 GEARMOTOR - 38 FRAME A.C.	FMF M1145023			
NO.	REVISION	BY & DATE	CHK	ANG	±1/2'	FINISH		PREV			
THIS DRAWING IN DESIGN AND DETAIL IS OUR PROPERTY AND MUST NOT BE USED EXCEPT IN CONNECTION WITH OUR WORK ALL RIGHTS OF DESIGN AND INVENTION ARE RESERVED THIS IS AN ELECTRONICALLY GENERATED DOCUMENT - DO NOT SCALE THIS PRINT						RFP	CAD FILE	M1030380	SIZE	DRAWING NO.	REV.
						DIST			B	M1030380	05

M1005040.02



				TOLERANCES UNLESS OTHERWISE SPECIFIED		LEESON ELECTRIC CORPORATION		TITLE EXTERNAL WIRING DIAGRAM DUAL VOLTAGE DUAL ROTATION	
				DECIMALS					
				.00	± .01	DRAWN	DK	MAT'L.	
02	REDRAWN ON CAD	AJR	6/28/99	.000	± .005	CH'K'D.	10/3/91		
01	REMOVED CAP FROM LEFT DIAGRAM	DD	9/16/95	.0000	± .0005	APPR.	10/3/91	DRAWING NO. M1005040.02	
NO.	REVISION	BY	DATE	FRACTIONS	± 1/64	SCALE	NONE		
THIS DRAWING IN DESIGN AND DETAIL IS OUR PROPERTY AND MUST NOT BE USED EXCEPT IN CONNECTION WITH OUR WORK ALL RIGHTS OF DESIGN AND INVENTION ARE RESERVED				ANGLES	± 1/2°	REF.		FINISH	SIZE A
				INCH/MM		FMF	PR91376	LECO CORP.	