



A Regal Brand

Catalog # : M1145035.00

Product Type: ACSG

Description:

Model: M1145035.00

Stock: Y

Engineering Data

RPM	156/130	Volts	110/220	Volts	
HP/KW	.16/.16	F.L. Amps	2.8/1.4	F.L. Amps	2/1
Frame	38	S. F Amps		S. F Amps	
Max Amb	40	Hertz		Phase	1
Insul Class	F4	Duty	CONT	TYPE	PF
		Serv. Factor	1.0/1.0	PF	
Eff 100%		Eff 75%		Enclosure	TEFC
Protection	NOT	Therm.Prot.		Bearing OPE	6201-13
Design		Code	D	Bearing PE	6201-13
UL	Yes	CSA	Yes	CE	Yes
Series	P240	Nameplate	M1004149.02	Lubrication	
		Overrlung Ld.	201	Shaft Type	PARALLEL

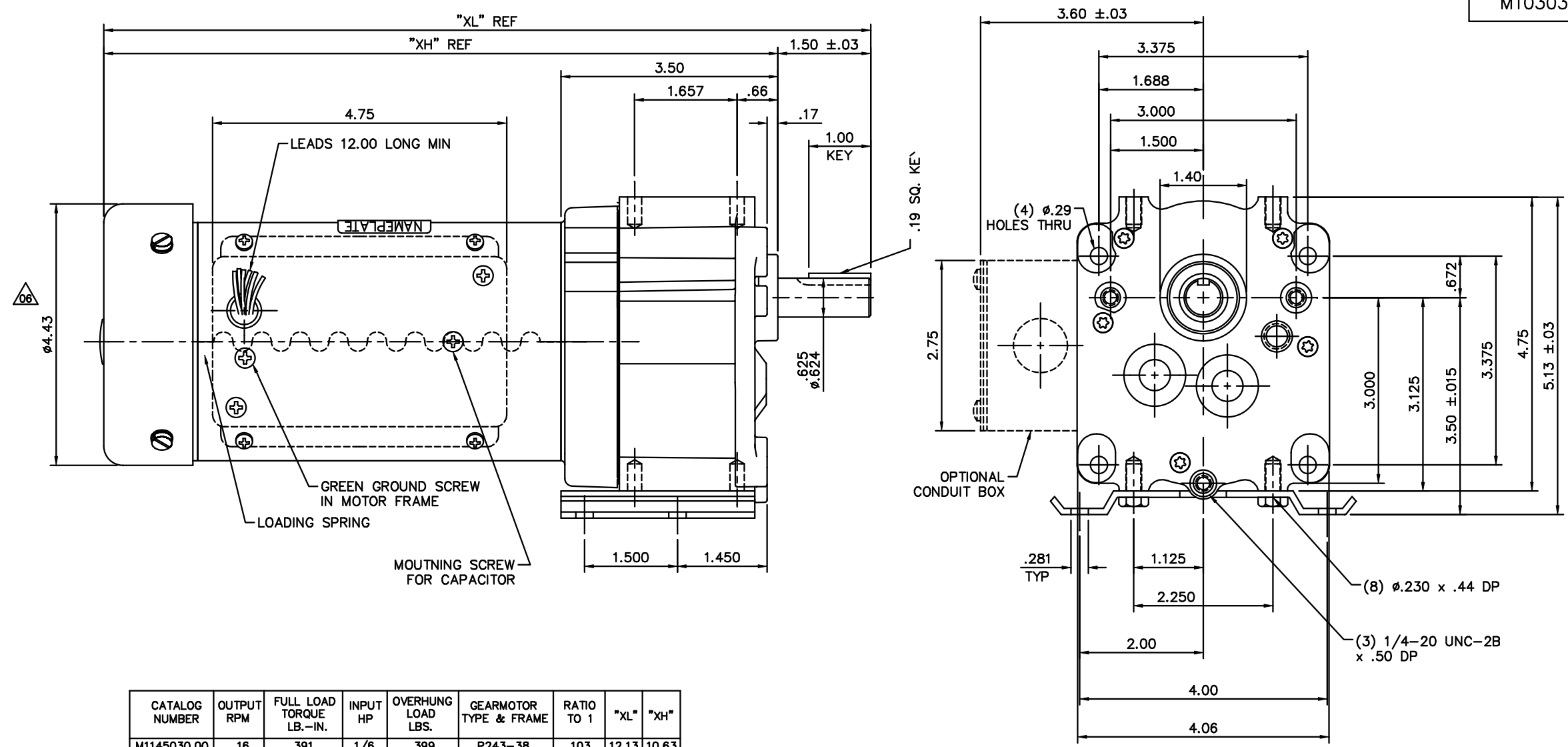
Motor Wt.	18 LB	Mounting	SPECIAL	Rotation	RECONN
Carton Label	Subfrac Individual	Assembly	M1040419		
Winding	MP38419	Shaft Dia.	5/8	Ext. Diag2.	
GROUP :	3 M	Paint	M1305027.01	Packaging	M1307027.01
Test Card	05	Outline	M1030381	Cust Part No	

Form Factor			RMS Amps
Torque		RMS Amps	
AB Code		Peak	
Resistance		Peak@DegC	
Connection			Const Torque

Rework Status	Rework TYPE
---------------	-------------

4Explosion Proof		2Brake Motors
Temp Op Code		FORCE
Class	GROUP	VDC
Class	GROUP	ADC

M1030381

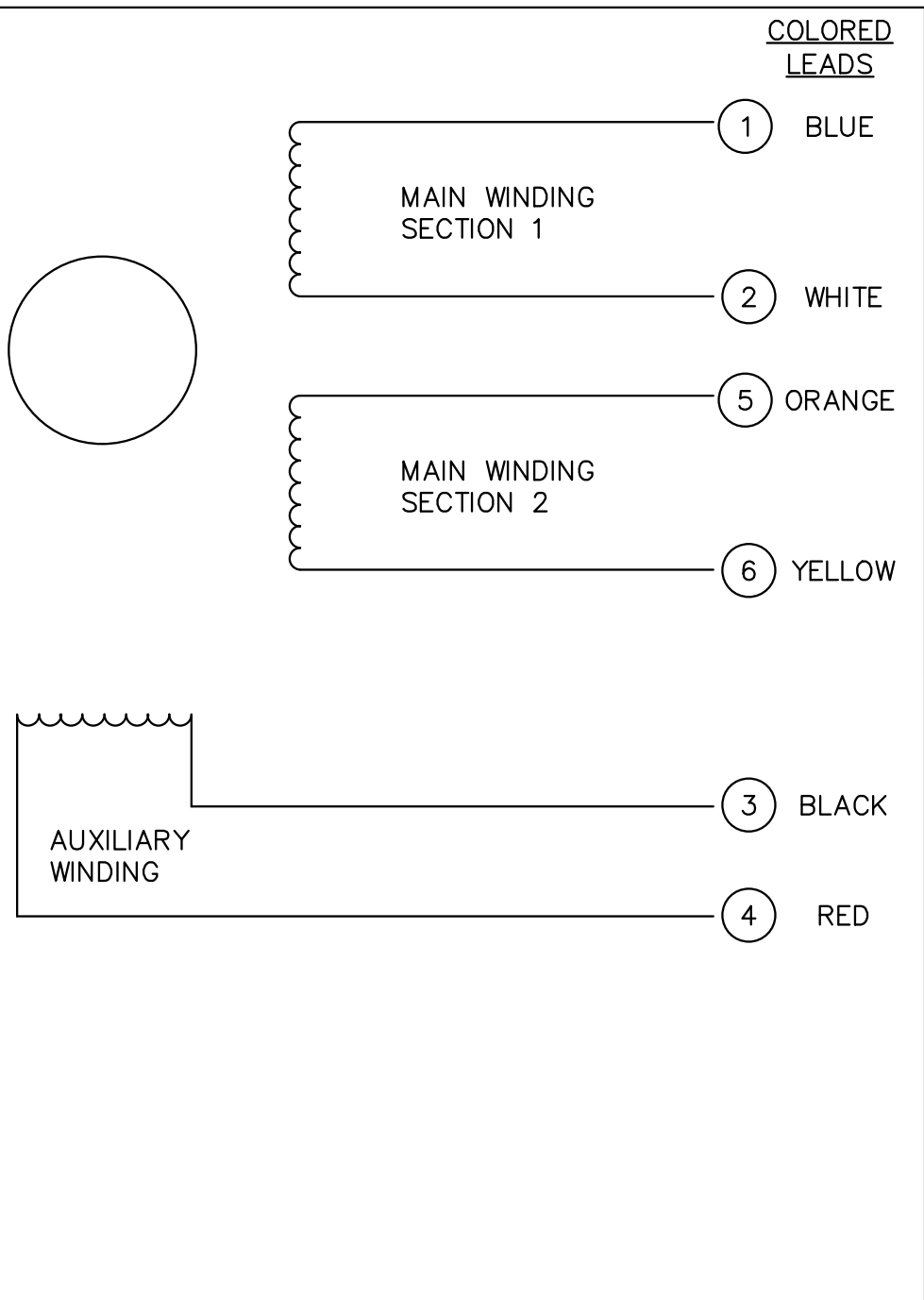


CATALOG NUMBER	OUTPUT RPM	FULL LOAD TORQUE LB.-IN.	INPUT HP	OVERHUNG LOAD LBS.	GEARMOTOR TYPE & FRAME	RATIO TO 1	"XL"	"XH"
M1145030.00	16	391	1/6	399	P243-38	103	12.13	10.63
M1145031.00	30	295	1/6	330	P243-38	58	12.13	10.63
M1145032.00	40	219	1/6	303	P243-38	43	12.13	10.63
M1145033.00	60	157	1/6	268	P242-38	29	12.13	10.63
M1145034.00	90	103	1/6	237	P242-38	19	12.13	10.63
M1145035.00	156	60	1/6	201	P242-38	10.6	12.13	10.63

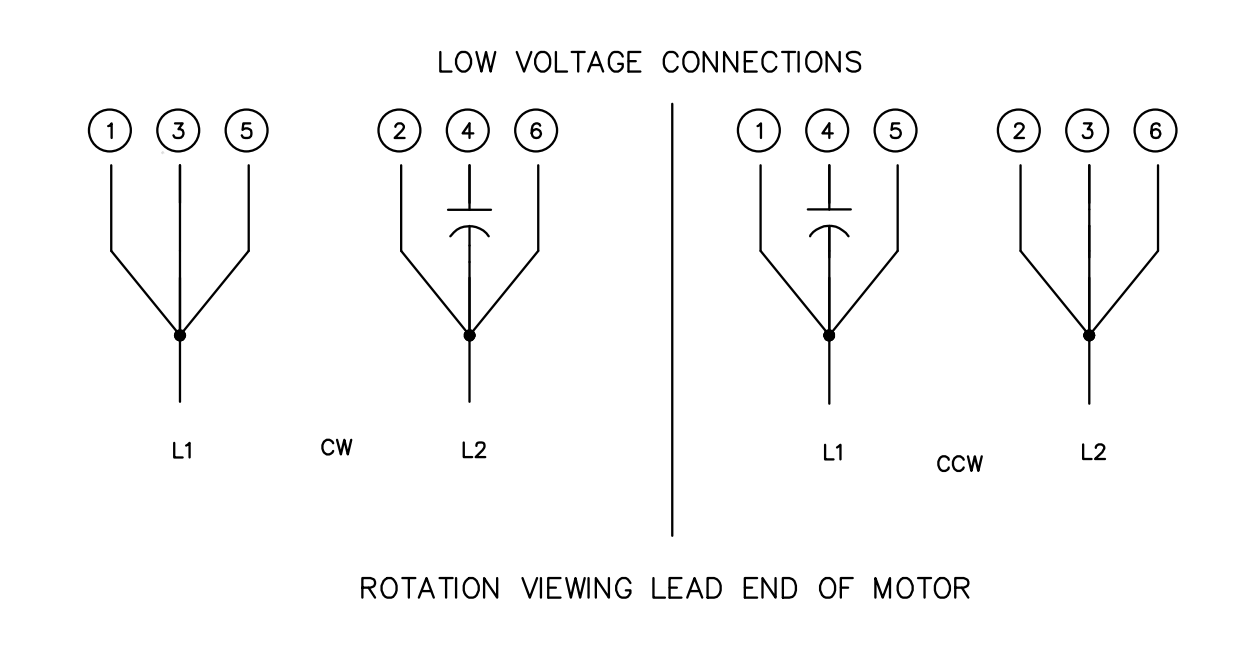
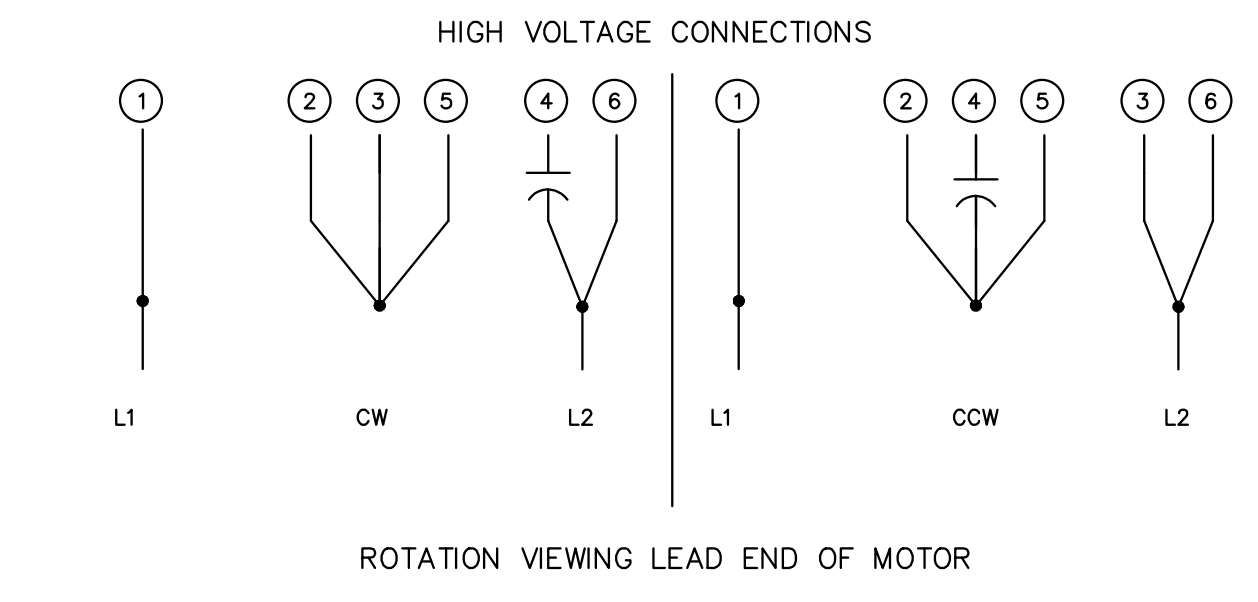
NO.	REVISION	BY & DATE	CHK	ANG	FINISH	REVISION
07	EXTENDED 3 PT MOUNTING HOLES .14" TO MAKE FLUSH	RLW 6/25/02				
06	ADDED FANGUARD DIM	BPW 12/19/01				
05	REV'D NAMEPLATE APPEARANCE FOR ASSEMBLY	BJB 12/11/01	DWF	.X	±.1	
	CLARITY PER ECR 65231			.XX	±.03	
04	3.50 WAS 3.562, 5.13 WAS 5.19	SPV 04/28/97		.XXX	±.005	
03	ADDED FLAT TO FAN SHROUD	DWF 09/23/96		.XXXX	±.0005	

THIS DRAWING IN DESIGN AND DETAIL IS OUR PROPERTY AND MUST NOT BE USED EXCEPT IN CONNECTION WITH OUR WORK ALL RIGHTS OF DESIGN AND INVENTION ARE RESERVED THIS IS AN ELECTRONICALLY GENERATED DOCUMENT - DO NOT SCALE THIS PRINT		RFP	CAD FILE	M1030381	SIZE	DRAWING NO.	REV.
		DIST			B	M1030381	07

TOLERANCES UNLESS SPECIFIED	DEC.	INCHES		ELECTRIC MOTORS GEARMOTORS AND DRIVES	DRAWN	DWF 10/03/94
					CHK	
					APPD	SPV 10/03/94
			TITLE	OUTLINE DRAWING	SCALE	5-8
				P240 GEARMOTOR - 38 FRAME A.C.	REF	
			MAT'L		FMF	M1145030
					PREV	



M1005040.02



				TOLERANCES UNLESS OTHERWISE SPECIFIED		LEESON ELECTRIC CORPORATION		TITLE EXTERNAL WIRING DIAGRAM DUAL VOLTAGE DUAL ROTATION	
				DECIMALS					
				.00	± .01	DRAWN	DK	MAT'L.	
02	REDRAWN ON CAD	AJR	6/28/99	.000	± .005	CH'K'D.	10/3/91		
01	REMOVED CAP FROM LEFT DIAGRAM	DD	9/16/95	.0000	± .0005	APPR.	10/3/91	DRAWING NO. M1005040.02	
NO.	REVISION	BY	DATE	FRACTIONS	± 1/64	SCALE	NONE		
THIS DRAWING IN DESIGN AND DETAIL IS OUR PROPERTY AND MUST NOT BE USED EXCEPT IN CONNECTION WITH OUR WORK ALL RIGHTS OF DESIGN AND INVENTION ARE RESERVED				ANGLES	± 1/2°	REF.		FINISH	SIZE A
				INCH/MM		FMF	PR91376	LECO CORP.	