



A Regal Brand

Catalog # : M1145122.00

Product Type: ACSG

Description:

Model: M1145122.00

Stock: Y

Engineering Data

RPM	16/13	Volts	190	Volts	
HP/KW	.167/.167	F.L. Amps	.85	F.L. Amps	.72
Frame	38	S. F Amps		S. F Amps	
Max Amb	40	Hertz		Phase	3
Insul Class	F4	Duty	CONT	TYPE	TF
		Serv. Factor	1.0/1.0	PF	
Eff 100%		Eff 75%		Enclosure	TEFC
Protection	NOT	Therm.Prot.		Bearing OPE	6201-13
Design		Code	J	Bearing PE	6201-13
UL	Yes	CSA	Yes	CE	No
Series	P240	Nameplate	081188	Lubrication	
		Overrlung Ld.	237	Shaft Type	PARALLEL

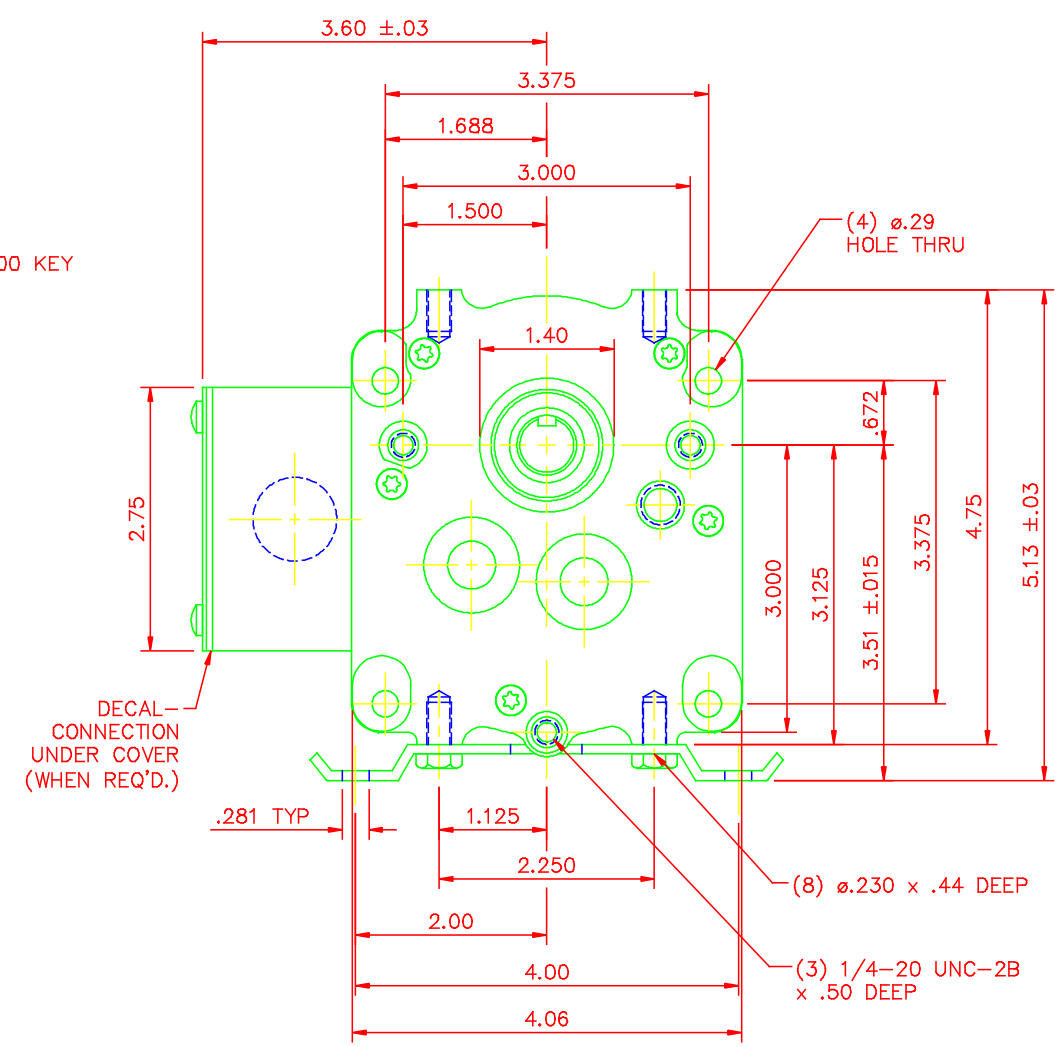
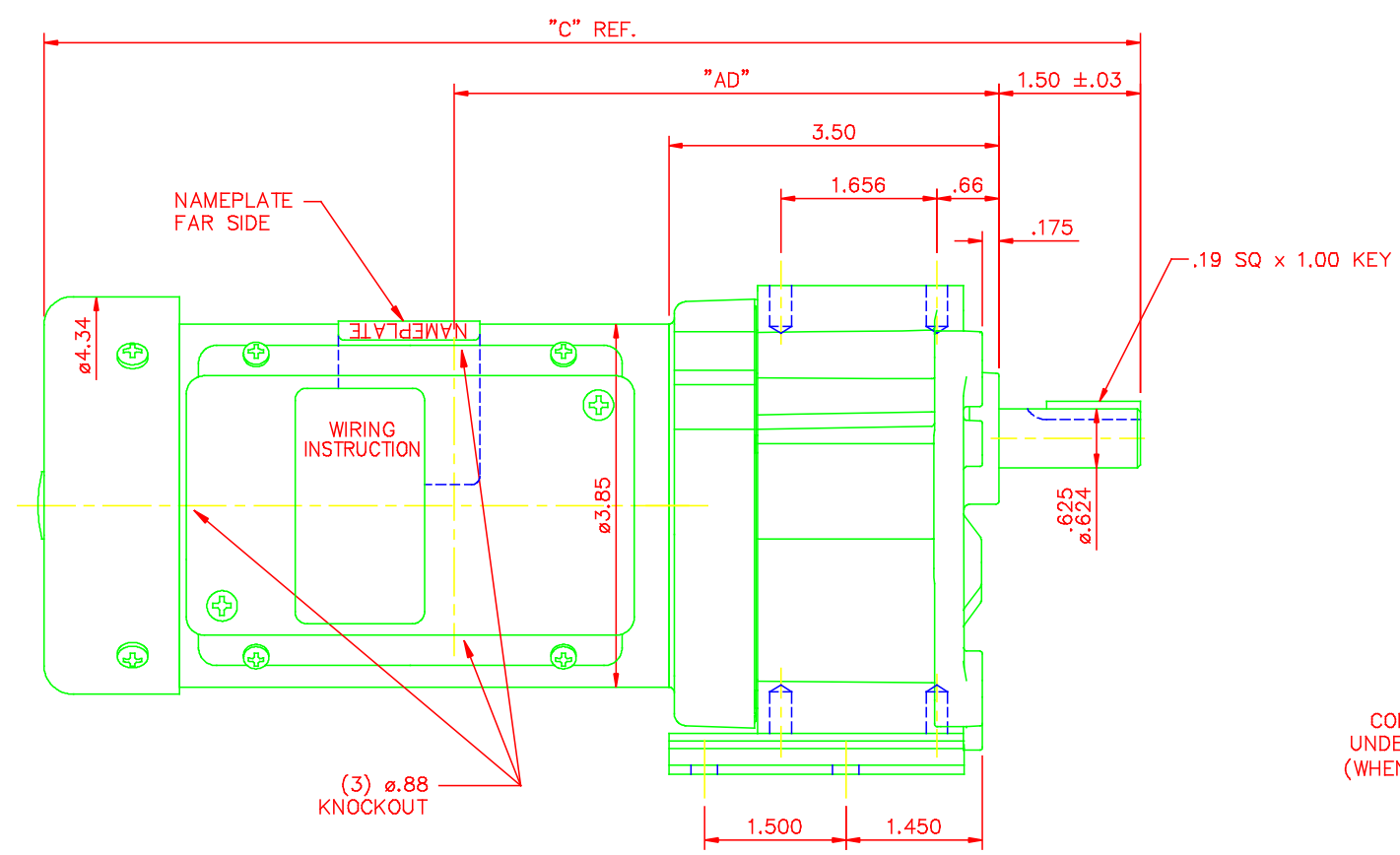
Motor Wt.	14 LB	Mounting	SPECIAL	Rotation	RECONN
Carton Label	Subfrac Individual	Assembly	M1041173		
Winding	MT38420	Shaft Dia.	5/8	Ext. Diag2.	
GROUP :	1 H	Paint	M1305027.01	Packaging	M1307027.01
Test Card	03	Outline	M1030998	Cust Part No	

Form Factor			RMS Amps	
Torque		RMS Amps		
AB Code		Peak		
Resistance		Peak@DegC		
Connection			Const Torque	

Rework Status                      Rework TYPE

4Explosion Proof			2Brake Motors
Temp Op Code			FORCE
Class	GROUP		VDC
Class	GROUP		ADC

M1030998



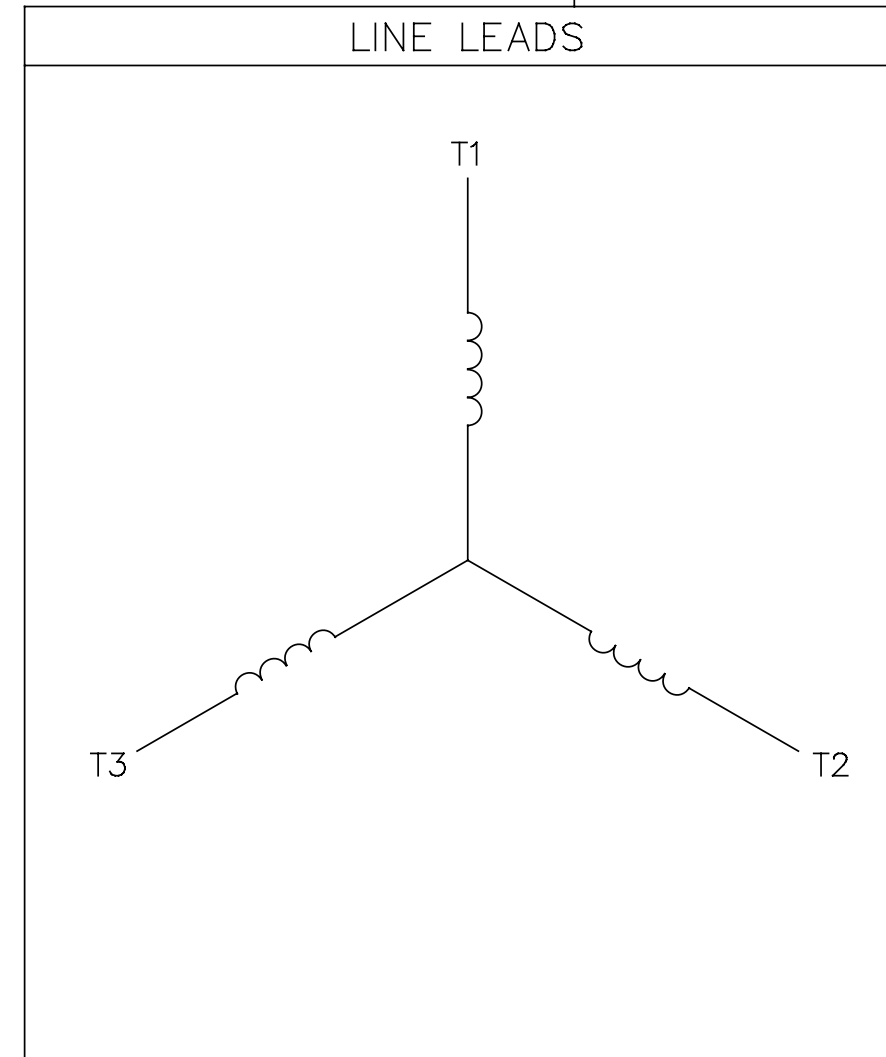
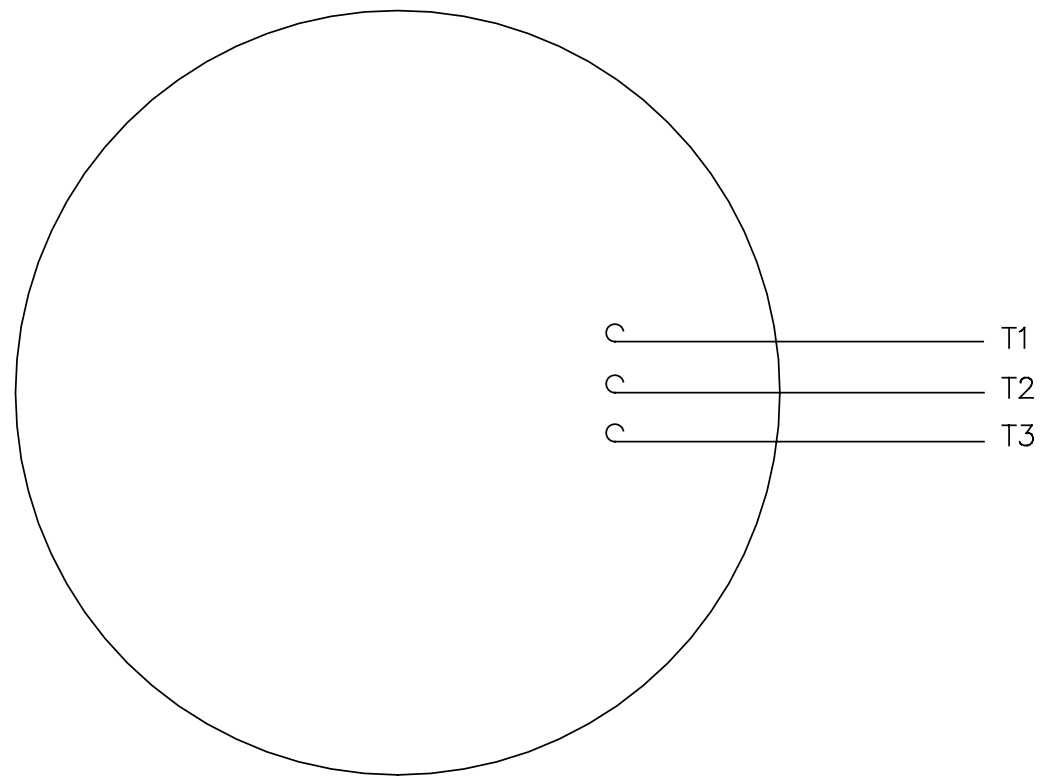
CATALOG NUMBER	OUTPUT RPM	FULL LOAD TORQUE LB.-IN.	INPUT HP	OVERHUNG LOAD LBS.	RATIO TO 1	"C"	"AD"
M1145122.00	16	391	1/6	237	103	11.63	5.75
M1145123.00	30	295	1/6	237	58	11.63	5.75
M1145124.00	60	157	1/6	237	29	11.63	5.75
M1145125.00	90	103	1/6	237	19	11.63	5.75
M1145126.00	156	60	1/6	237	11	11.63	5.75

TOLERANCES UNLESS SPECIFIED		LEESON ELECTRIC MOTORS GEARMOTORS AND DRIVES	DRAWN
DEC.	INCHES		LST 5/27/05
.X	±.1	TITLE P240 GEARBOX - 38 FRAME A.C.	CHK RW 6/22/05
.XX	±.03		APPD KH 6/22/05
.XXX	±.005		SCALE 5-8
.XXXX	±.0005		REF PR040179
NO.	ANG ±1/2°		FINISH
01	ADDED PERFORMANCE ATTRIBUTES TABLE	RLW 7/7/05	
THIS DRAWING IN DESIGN AND DETAIL IS OUR PROPERTY AND MUST NOT BE USED EXCEPT IN CONNECTION WITH OUR WORK ALL RIGHTS OF DESIGN AND INVENTION ARE RESERVED THIS IS AN ELECTRONICALLY GENERATED DOCUMENT - DO NOT SCALE THIS PRINT		CHK RFP	
		CAD FILE M1030998	SIZE B
			DRAWING NO. M1030998
			REV. 01

# Uncontrolled Copy

005102-01

VIEW FROM OUTSIDE OF MOTOR AT SWITCH END.



CONNECT LEADS AS FOLLOWS  
FOR FOUR CONDUCTOR CORD ( )

CORD	L1 (RED)	L2 (WHITE)	L3 (BLACK)	(GREEN)
MOTOR	T1	T2	T3	GROUND

				TOLERANCES UNLESS SPECIFIED		<b>REGAL</b> ™ <b>Regal Beloit America, Inc.</b>		DRAWN JRW 9/11/75		
				DEC.	INCHES			CHK		
				.X	±.1			APPD JCW 9/11/75		
08	UPDATED TO REGAL LOGO	SAJ 06/26/15	AJY	.XX	±.01	TITLE EXTERNAL WIRING DIAGRAM TYPE "T" W/O PROTECTOR		SCALE 1=1		
07	UPDATED TO CURRENT STANDARDS	DBT 5/30/97		.XXX	±.005			REF W-T6343-6		
06	REDRAWN ON CAD; ADDED DECAL NUMBER	SAW 1/24/95		.XXXX	±.0005	MAT'L. DECAL - 004169		FMF 6T17FB7		
NO.	REVISION	BY & DATE	CHK	ANG	±1/2"			FINISH		PREV
THIS DRAWING IN DESIGN AND DETAIL IS OUR PROPERTY AND MUST NOT BE USED EXCEPT IN CONNECTION WITH OUR WORK ALL RIGHTS OF DESIGN AND INVENTION ARE RESERVED THIS IS AN ELECTRONICALLY GENERATED DOCUMENT - DO NOT SCALE THIS PRINT				RFP	5/1/02	CAD FILE	00510201	SIZE	DRAWING NO.	REV.
				DIST	BRF-NLV			A	005102-01	08