



A Regal Brand

Catalog # : M1145125.00

Product Type: ACSG

Description:

Model: M1145125.00

Stock: Y

Engineering Data

RPM	90	Volts		Volts	
HP/KW	.167	F.L. Amps		F.L. Amps	.72
Frame	38	S. F Amps		S. F Amps	
Max Amb	40	Hertz		Phase	3
Insul Class	F4	Duty	CONT	TYPE	TF
		Serv. Factor	1.0	PF	
Eff 100%		Eff 75%		Enclosure	TEFC
Protection	NOT	Therm.Prot.		Bearing OPE	6201-13
Design		Code	J	Bearing PE	6201-13
UL	Yes	CSA	Yes	CE	No
Series	P240	Nameplate	081188	Lubrication	
		Overrlung Ld.	237	Shaft Type	PARALLEL

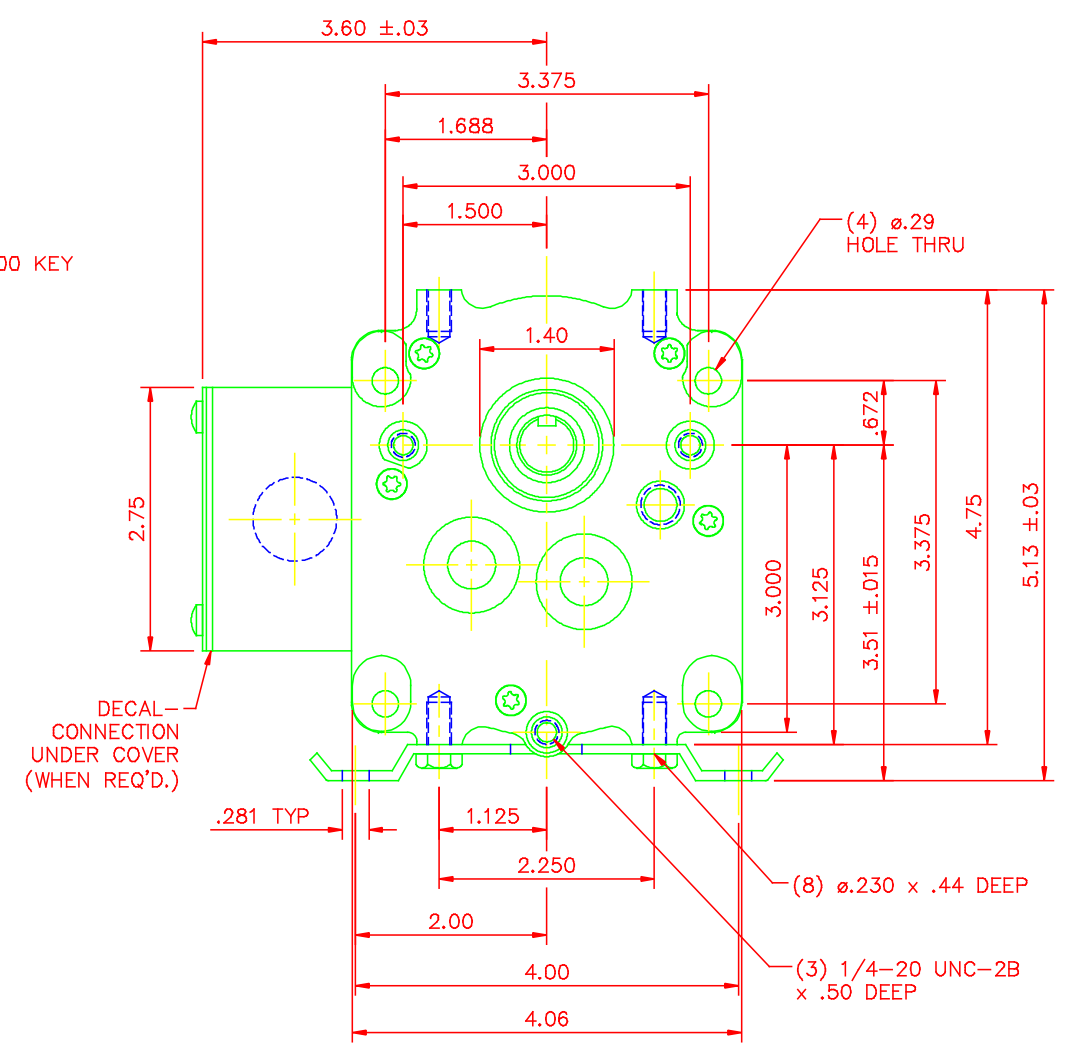
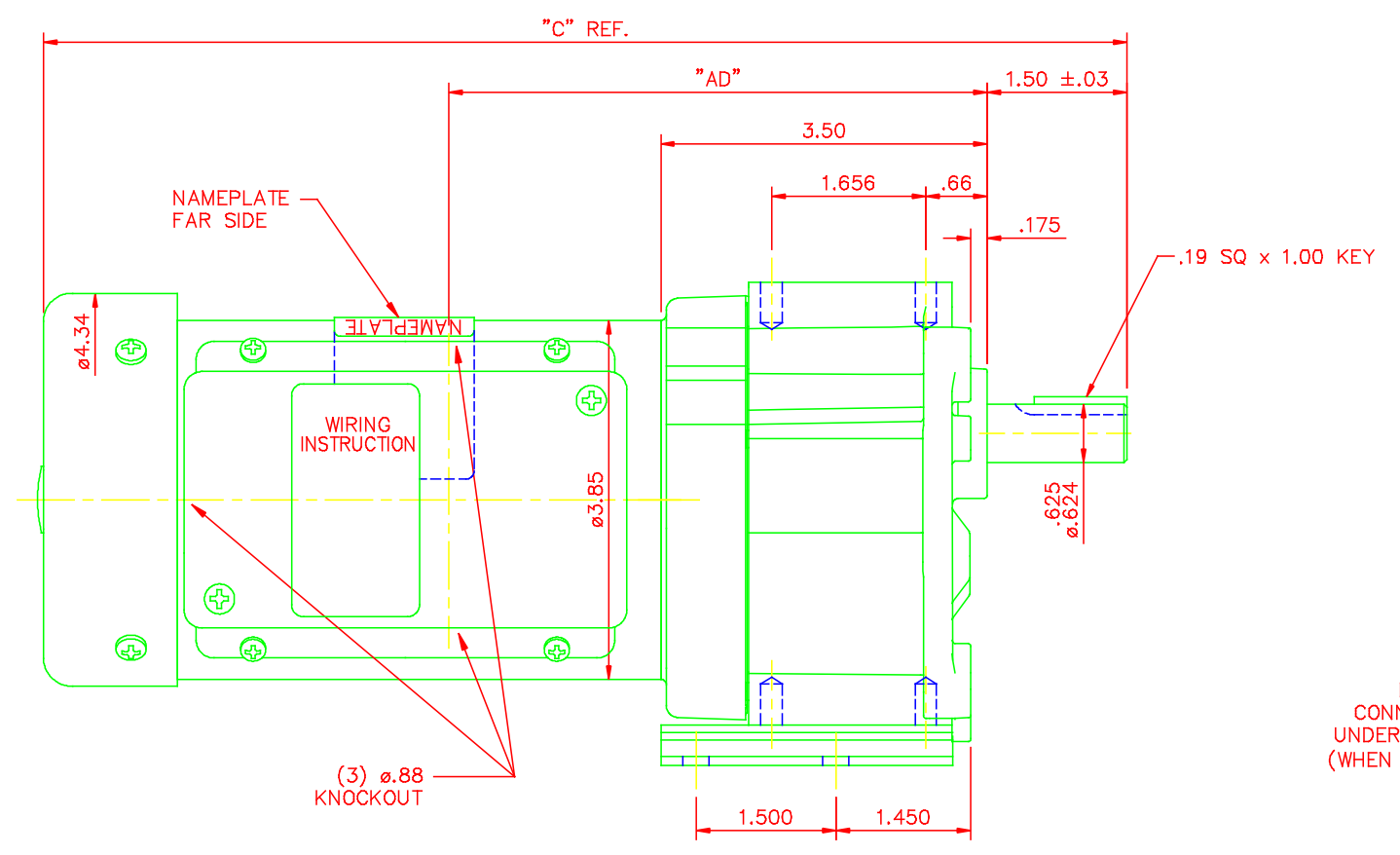
Motor Wt.	17 LB	Mounting	SPECIAL	Rotation	RECONN
Carton Label	Subfrac Individual	Assembly	M1041173		
Winding	MT38420	Shaft Dia.	5/8	Ext. Diag2.	
GROUP :	1 G	Paint	M1305027.01	Packaging	M1307027.01
Test Card	02	Outline	M1030998	Cust Part No	

Form Factor			RMS Amps
Torque		RMS Amps	
AB Code		Peak	
Resistance		Peak@DegC	
Connection			Const Torque

Rework Status                      Rework TYPE

4Explosion Proof		2Brake Motors
Temp Op Code		FORCE
Class	GROUP	VDC
Class	GROUP	ADC

M1030998



CATALOG NUMBER	OUTPUT RPM	FULL LOAD TORQUE LB.-IN.	INPUT HP	OVERHUNG LOAD LBS.	RATIO TO 1	"C"	"AD"
M1145122.00	16	391	1/6	237	103	11.63	5.75
M1145123.00	30	295	1/6	237	58	11.63	5.75
M1145124.00	60	157	1/6	237	29	11.63	5.75
M1145125.00	90	103	1/6	237	19	11.63	5.75
M1145126.00	156	60	1/6	237	11	11.63	5.75

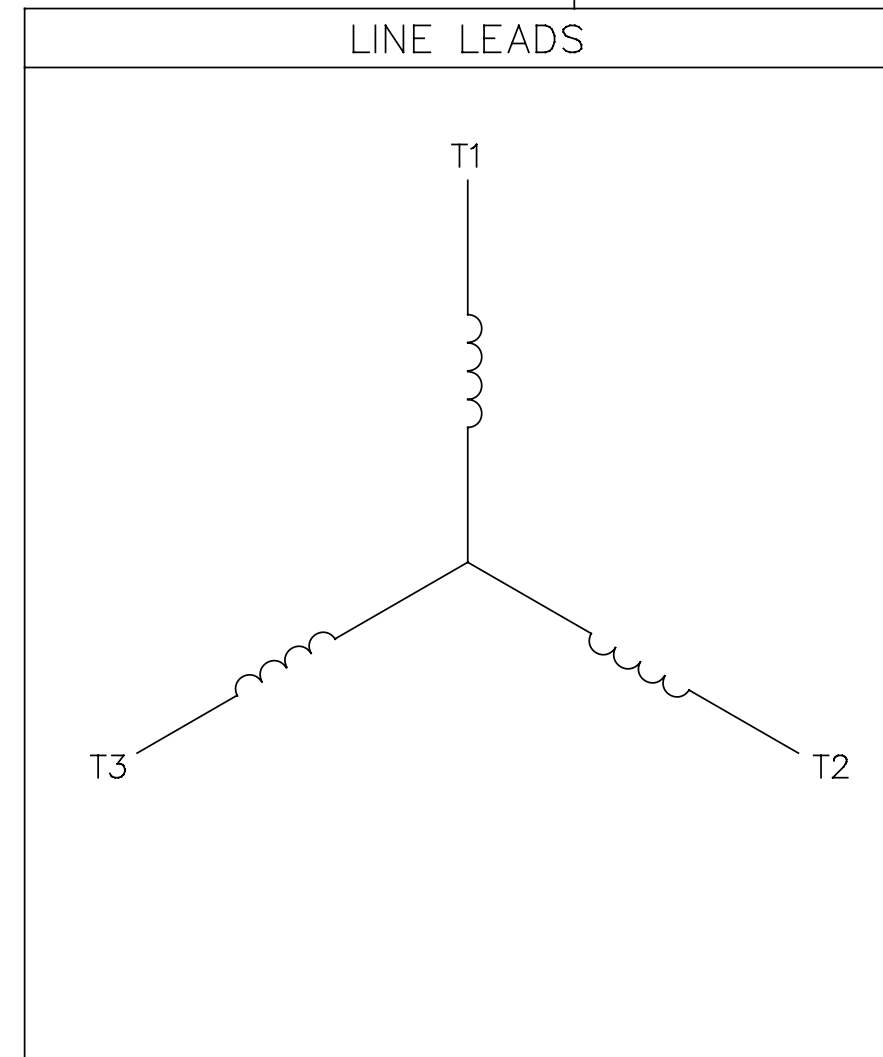
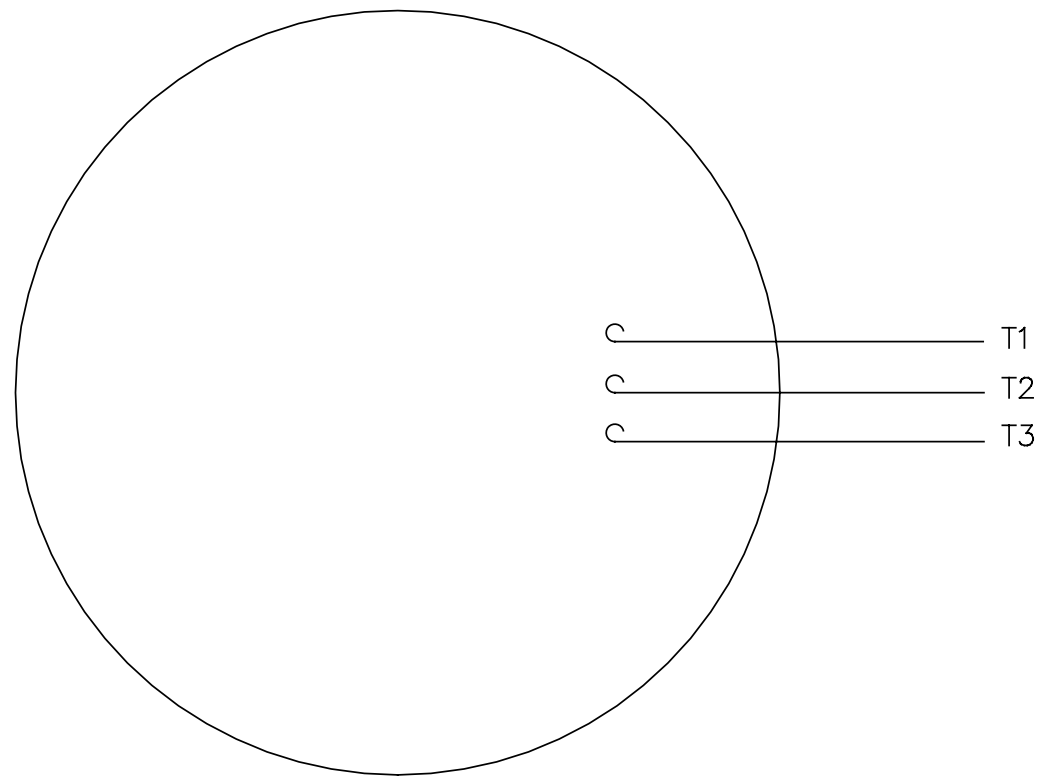
NO.	REVISION	BY & DATE	CHK	TOLERANCES UNLESS SPECIFIED		FINISH	MATERIAL	DRAWN	REV.	
				DEC.	INCHES					
				.X	±.1			LST 5/27/05		
				.XX	±.03			RW 6/22/05		
				.XXX	±.005			KH 6/22/05		
01	ADDED PERFORMANCE ATTRIBUTES TABLE	RLW 7/7/05		.XXXX	±.0005					
				ANG	±1/2°					
THIS DRAWING IN DESIGN AND DETAIL IS OUR PROPERTY AND MUST NOT BE USED EXCEPT IN CONNECTION WITH OUR WORK ALL RIGHTS OF DESIGN AND INVENTION ARE RESERVED THIS IS AN ELECTRONICALLY GENERATED DOCUMENT - DO NOT SCALE THIS PRINT							TITLE			
							P240 GEARBOX - 38 FRAME A.C.	SCALE	5-8	
								REF	PR040179	
								FMF		
								PREV		
							CAD FILE	M1030998	SIZE	DRAWING NO.
								B	M1030998	REV.
										01

**LEESON** ELECTRIC MOTORS  
GEARMOTORS  
AND DRIVES

# Uncontrolled Copy

005102-01

VIEW FROM OUTSIDE OF MOTOR AT SWITCH END.



CONNECT LEADS AS FOLLOWS  
FOR FOUR CONDUCTOR CORD ( )

CORD	L1 (RED)	L2 (WHITE)	L3 (BLACK)	(GREEN)
MOTOR	T1	T2	T3	GROUND

				TOLERANCES UNLESS SPECIFIED		DRAWN JRW 9/11/75	
				DEC.	INCHES	CHK	
				.X	±.1	APPD JCW 9/11/75	
08	UPDATED TO REGAL LOGO	SAJ 06/26/15	AJY	.XX	±.01	TITLE EXTERNAL WIRING DIAGRAM	
07	UPDATED TO CURRENT STANDARDS	DBT 5/30/97		.XXX	±.005	TYPE "T" W/O PROTECTOR	
06	REDRAWN ON CAD; ADDED DECAL NUMBER	SAW 1/24/95		.XXXX	±.0005	MAT'L. DECAL - 004169	
NO.	REVISION	BY & DATE	CHK	ANG	±1/2"	FINISH	
THIS DRAWING IN DESIGN AND DETAIL IS OUR PROPERTY AND MUST NOT BE USED EXCEPT IN CONNECTION WITH OUR WORK ALL RIGHTS OF DESIGN AND INVENTION ARE RESERVED THIS IS AN ELECTRONICALLY GENERATED DOCUMENT - DO NOT SCALE THIS PRINT			RFP	5/1/02	CAD FILE	00510201	SIZE A
			DIST	BRF-NLV	DRAWING NO. 005102-01		REV. 08

