



A Regal Brand

Catalog # : M1145129.00

Product Type: ACSG

Description:

Model: M1145129.00

Stock: Y

Engineering Data

RPM	86	Volts		Volts	
HP/KW	.375	F.L. Amps		F.L. Amps	1.4-1.3
Frame	38	S. F Amps		S. F Amps	
Max Amb	40	Hertz		Phase	3
Insul Class	F4	Duty	CONT	TYPE	TF
		Serv. Factor	1.0	PF	
Eff 100%		Eff 75%		Enclosure	TEFC
Protection	NOT	Therm.Prot.		Bearing OPE	6201-13
Design		Code	G	Bearing PE	6201-13
UL	Yes	CSA	Yes	CE	No
Series	13	Nameplate	081188	Lubrication	
		Overrlung Ld.	235	Shaft Type	RIGHT-ANGLE

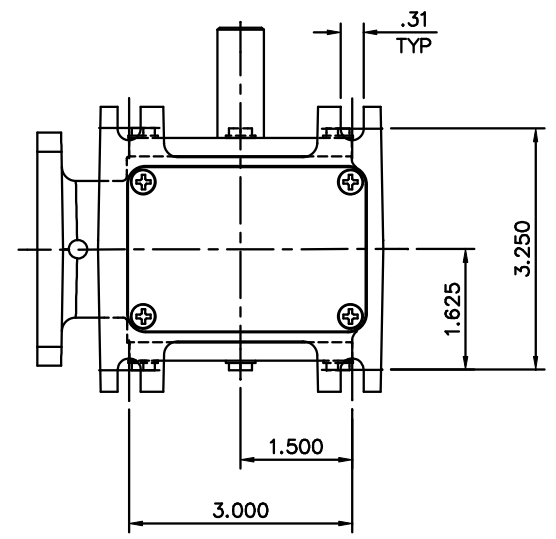
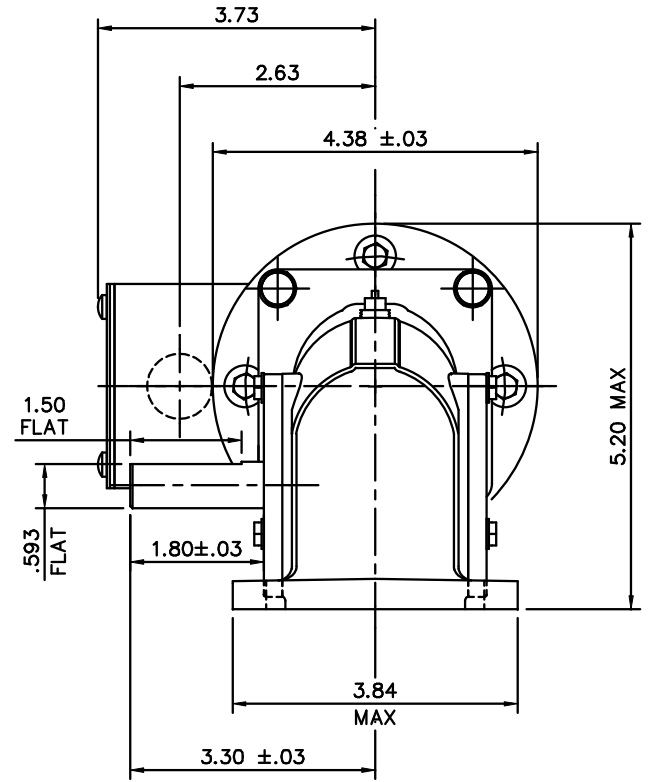
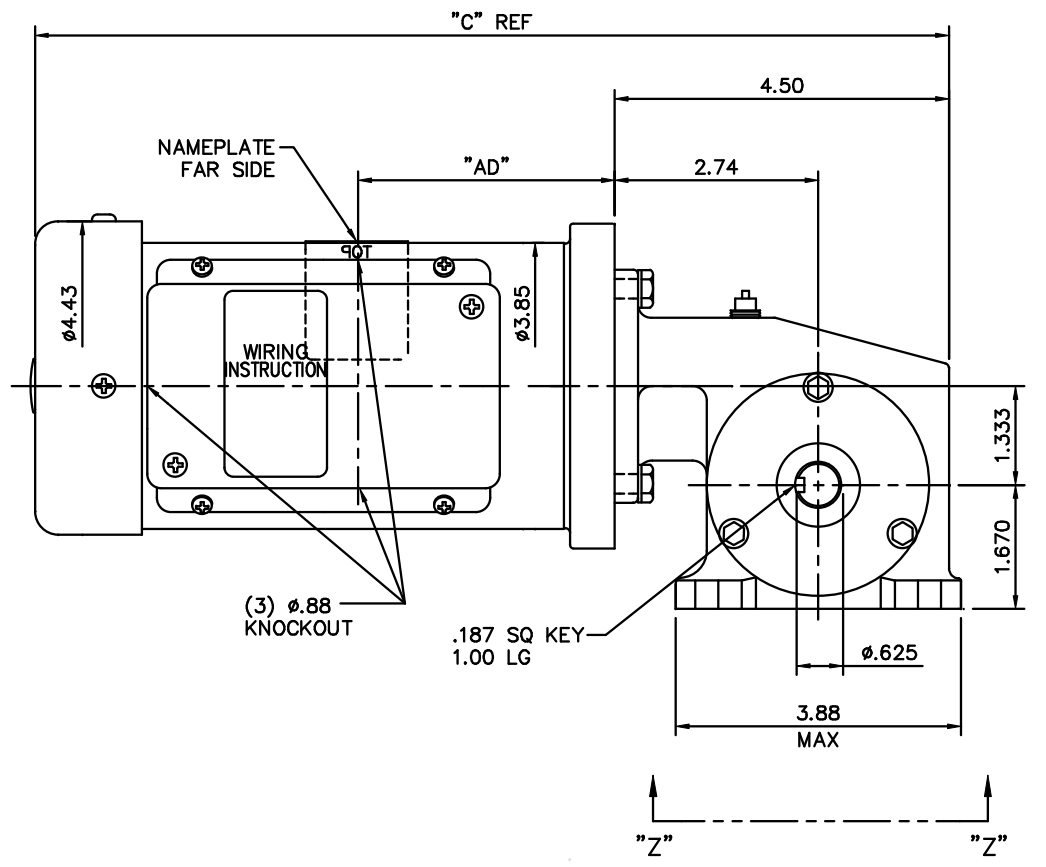
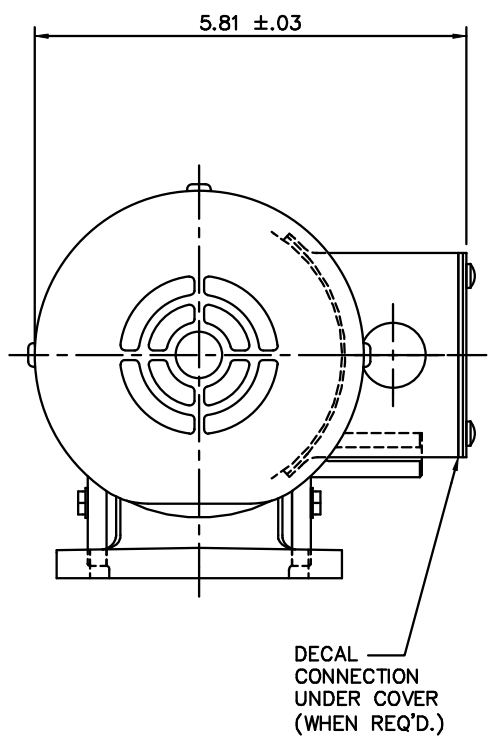
Motor Wt.	18 LB	Mounting	SPECIAL	Rotation	RECONN
Carton Label	Subfrac Individual	Assembly	M1040956		
Winding	MT38432	Shaft Dia.	5/8	Ext. Diag2.	
GROUP :	1 E	Paint	M1305027.01	Packaging	M1307027.01
Test Card	03	Outline	M1030994	Cust Part No	

Form Factor		RMS Amps	
Torque		Peak	
AB Code		Peak@DegC	
Resistance			
Connection		Const Torque	

Rework Status	Rework TYPE
---------------	-------------

4Explosion Proof		2Brake Motors
Temp Op Code		FORCE
Class	GROUP	VDC
Class	GROUP	ADC

M1030994



VIEW Z-Z

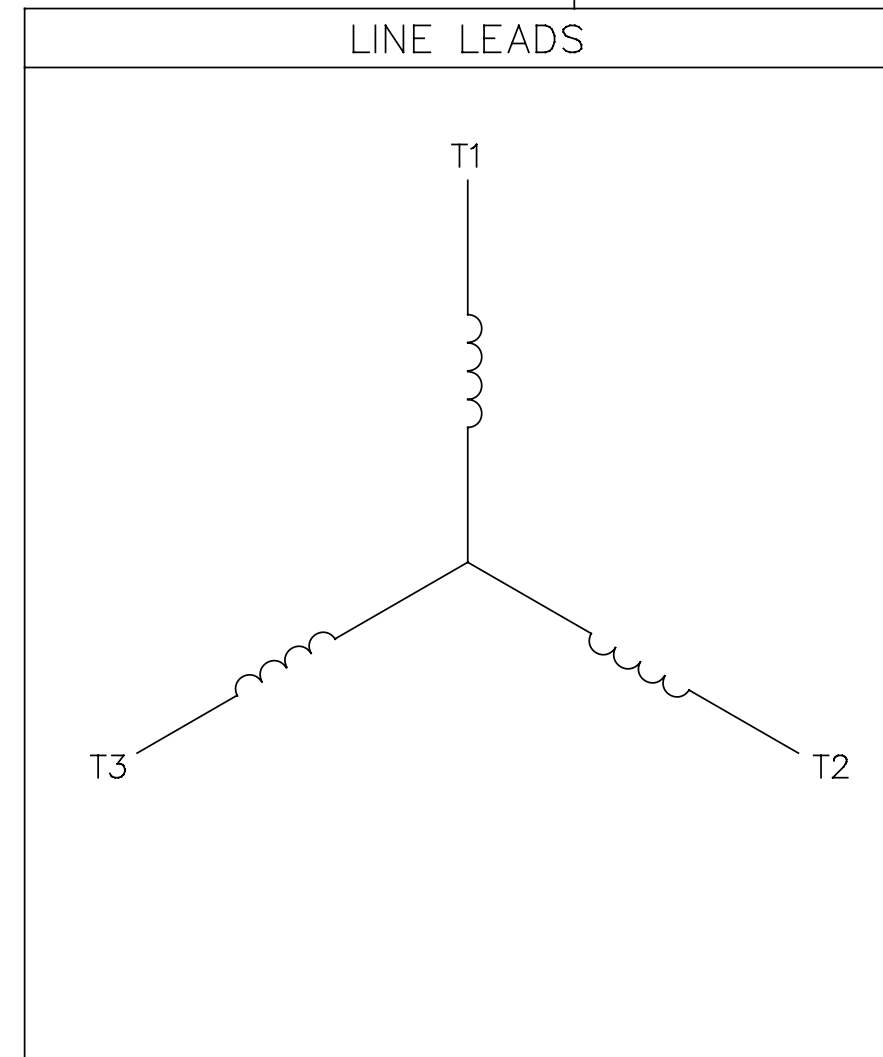
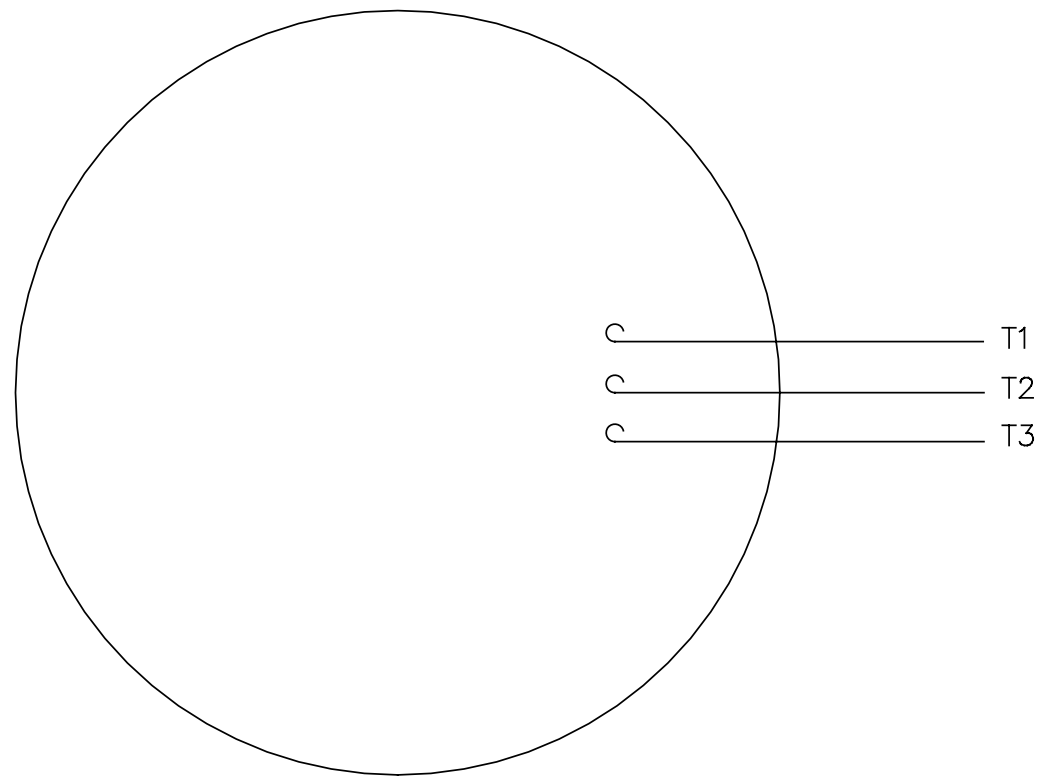
CATALOG NUMBER	OUTPUT RPM	FULL LOAD TORQUE LB.-IN.	INPUT HP	OVERHUNG LOAD LBS.	RATIO TO 1	"C"	"AD"
M1145127.00	29	220	3/8	235	60	12.31	3.50
M1145128.00	43	228	3/8	235	40	12.31	3.50
M1145129.00	86	138	3/8	235	20	12.31	3.50
M1145130.00	172	105	3/8	235	10	12.31	3.50
M1145131.00	345	54	3/8	235	05	12.31	3.50
M1145136.00	345	23	3/8	235	05	11.81	2.50

		TOLERANCES UNLESS SPECIFIED		LEESON	ELECTRIC MOTORS GEARMOTORS AND DRIVES	DRAWN	LST 5/16/05		
		DEC.	INCHES			CHK	RW 6/1/05		
		.X	±.1	TITLE 38 FRAME A.C. RIGHT ANGLE GEARMOTOR		APPD	KH 6/1/05		
		.XX	±.03			SCALE	1=2		
02	CHANGED TO DIE CAST GEARBOX PER ECN 06-3024.	RPB	7/13/06	BC	.XXX	±.005	REF	PR040180	
01	ADDED PERFORMANCE ATTRIBUTES TABLE	RLW	7/7/05		.XXXX	±.0005	MAT'L	FMF	
NO.	REVISION	BY & DATE	CHK	ANG	±1/2"	FINISH	PREV		
THIS DRAWING IN DESIGN AND DETAIL IS OUR PROPERTY AND MUST NOT BE USED EXCEPT IN CONNECTION WITH OUR WORK ALL RIGHTS OF DESIGN AND INVENTION ARE RESERVED THIS IS AN ELECTRONICALLY GENERATED DOCUMENT - DO NOT SCALE THIS PRINT				RFP	CAD FILE	M1030994	SIZE	DRAWING NO.	REV.
				DIST			B	M1030994	02

Uncontrolled Copy

005102-01

VIEW FROM OUTSIDE OF MOTOR AT SWITCH END.



CONNECT LEADS AS FOLLOWS
FOR FOUR CONDUCTOR CORD ()

CORD	L1 (RED)	L2 (WHITE)	L3 (BLACK)	(GREEN)
MOTOR	T1	T2	T3	GROUND

				TOLERANCES UNLESS SPECIFIED		REGAL ™ Regal Beloit America, Inc.		DRAWN JRW 9/11/75	
				DEC.	INCHES			CHK	
				.X	±.1			APPD JCW 9/11/75	
08	UPDATED TO REGAL LOGO	SAJ 06/26/15	AJY	.XX	±.01	TITLE EXTERNAL WIRING DIAGRAM TYPE "T" W/O PROTECTOR		SCALE 1=1	
07	UPDATED TO CURRENT STANDARDS	DBT 5/30/97		.XXX	±.005			REF W-T6343-6	
06	REDRAWN ON CAD; ADDED DECAL NUMBER	SAW 1/24/95		.XXXX	±.0005	MAT'L. DECAL - 004169		FMF 6T17FB7	
NO.	REVISION	BY & DATE	CHK	ANG	±1/2"	FINISH		PREV	
THIS DRAWING IN DESIGN AND DETAIL IS OUR PROPERTY AND MUST NOT BE USED EXCEPT IN CONNECTION WITH OUR WORK ALL RIGHTS OF DESIGN AND INVENTION ARE RESERVED THIS IS AN ELECTRONICALLY GENERATED DOCUMENT - DO NOT SCALE THIS PRINT			RFP	5/1/02	CAD FILE	00510201	SIZE	DRAWING NO.	REV.
			DIST	BRF-NLV			A	005102-01	08