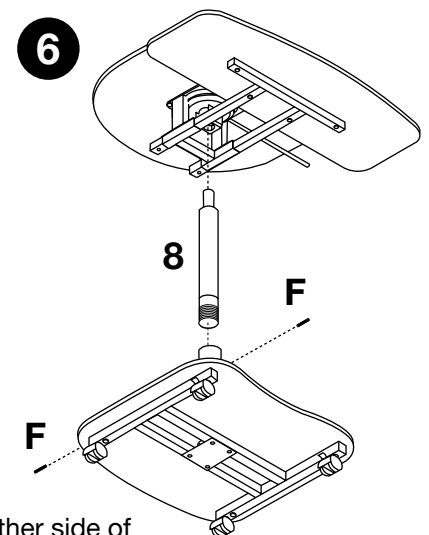
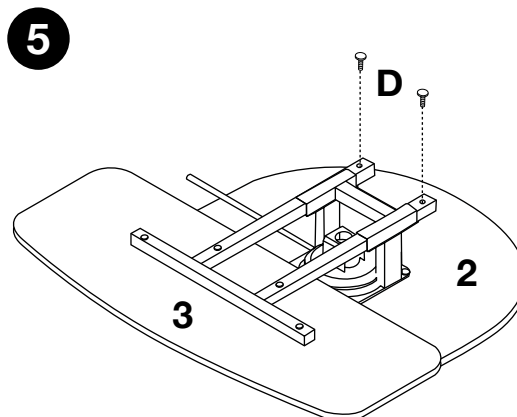
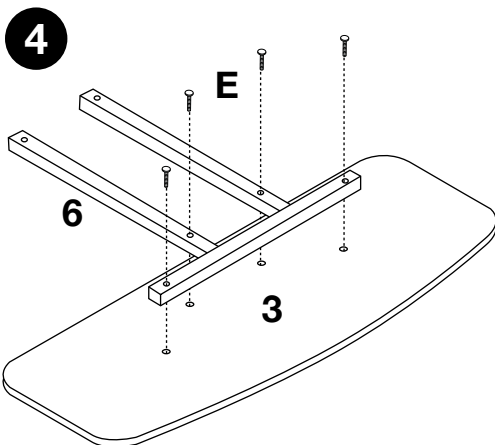
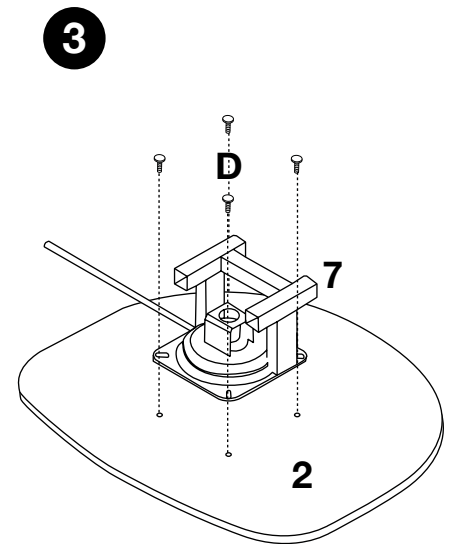
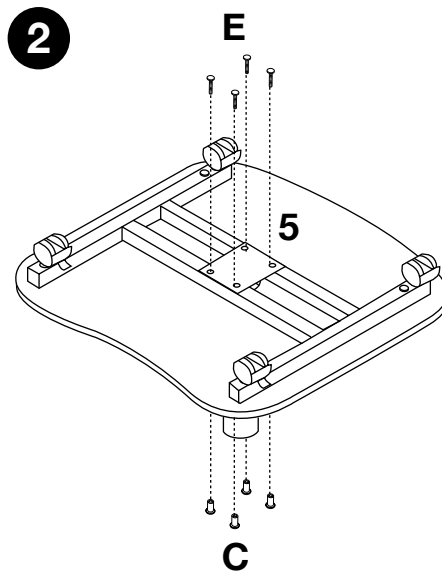
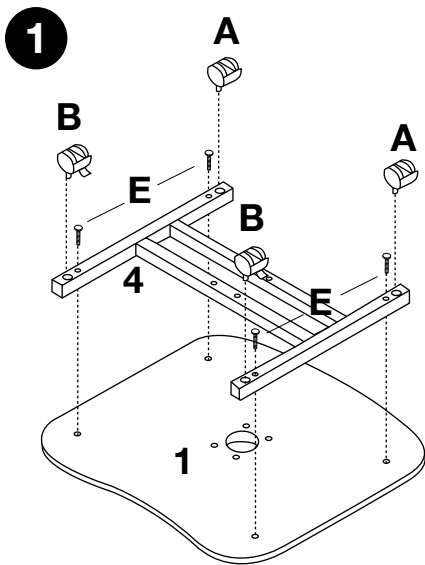
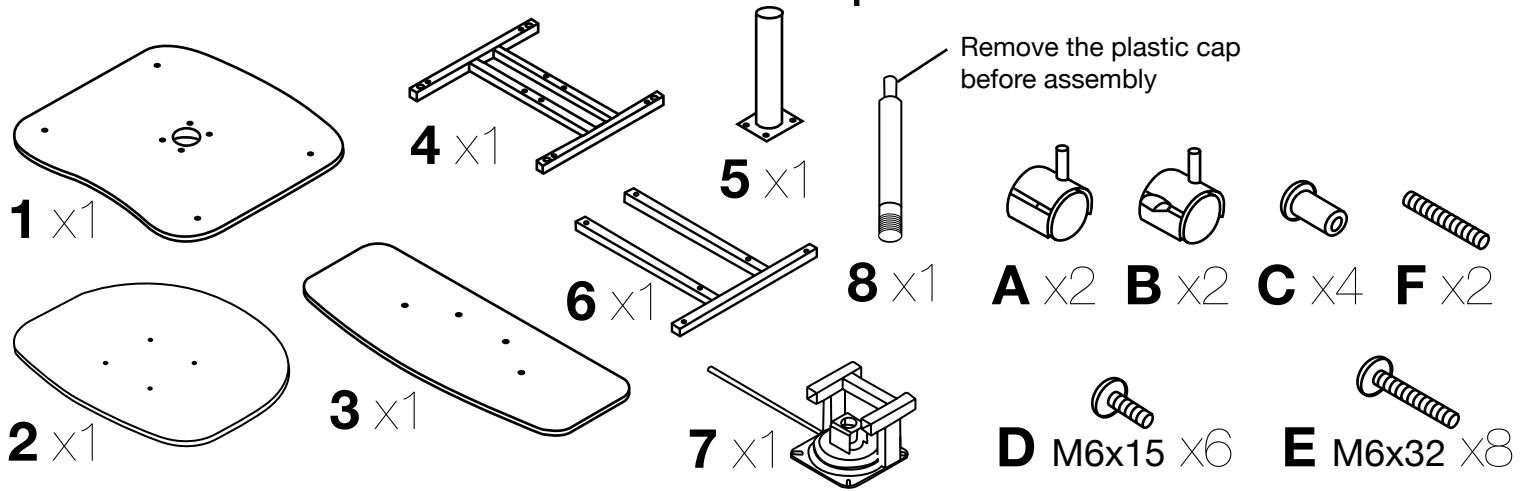


LAMC2936 & LAMC3037 Instructions

Parts List

Tools Required

- Screwdriver



Insert set screw **F** on either side of pole after top is inserted into base.