

PRESENTATION STATIONS



40" MOBILE PRESENTATION STATION

WPS4 | WPS4E | WPS4C | WPS4CE

Whether you're in a classroom or a meeting room, the Luxor WPS4 40" Mobile Presentation Station provides a versatile solution for presenting and storing audio/visual components. This multipurpose presentation cart has four shelves set at differing heights and offers platforms that will hold a projector and laptop while providing plenty of space for a variety of AV equipment and accessories. The second shelf functions perfectly as a keyboard tray and adjusts between 32" and 40" high, accommodating multiple users. Four silent-roll 3" casters deliver total mobility, while two locking brakes keep the unit stable during presentations. An optional lockable cabinet can house IT equipment or office supplies; add an optional electric assembly and turn the WPS4C / WPS4CE into a self-contained presentation station.

Features:

- Sturdy steel frame with four flat shelves
- Second shelf adjusts between 32" and 40" high, accommodating multiple users
- Four silent roll 3" casters, two with locking brakes, offer total mobility
- Overall Dimensions: 18"W x 34.25"D x 40"H
- Optional locking cabinet with inner dimensions of 13.4"W x 13.3"D x 18.3"
- Optional 3-outlet UL-Listed electric assembly with 15' cord

WPS4	No Cabinet + No Electric
WPS4E	No Cabinet + Electric Included
WPS4C	Cabinet Included + No Electric
WPS4CE	Cabinet + Electric Included



Optional 3-outlet UL-Listed electric assembly with 15' cord

2245 Delany Road, Waukegan, IL 60087
800-323-4656 | Fax 847-244-1818 | www.LuxorFurn.com

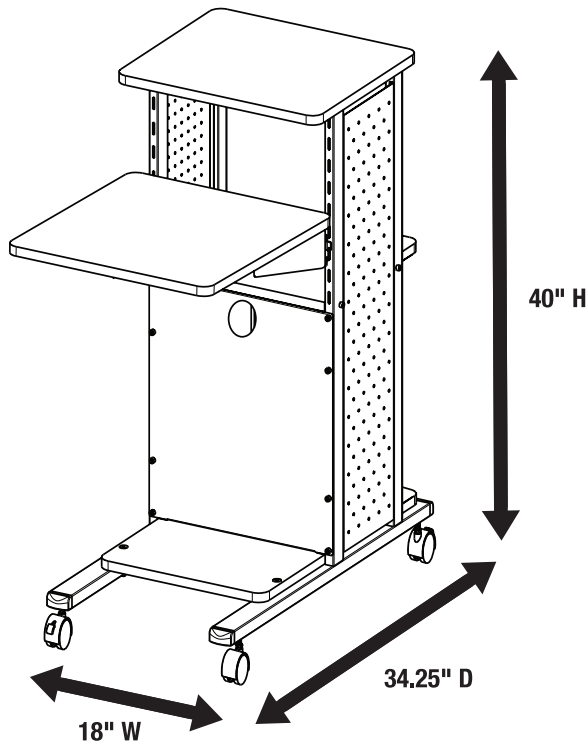
LUXOR

INNOVATIVE WORKSPACE PRODUCT SOLUTIONS

WPS4 - MOBILE PRESENTATION STATION

Product Specifications:

Item Number	WPS4
Frame Material	Steel
Frame Color	Black
Shelf Material	MDF with PVC surface
Shelf Color	Light Gray
Overall Dimensions	34.25"W x 18"D x 40"H
Weight	46.3 lbs.
Top Shelf Dimensions	16" x 18"
Middle Shelf 1 Dimensions	18.5" x 18"
Middle Shelf 2 Dimensions	15" x 14.25"
Bottom Shelf Dimensions	24.6" x 15"
Electric Included	No
Casters	Four 3" casters; two casters include locking brakes
Weight Capacity	110 lbs. evenly distributed
Ship Method	Ground
Shipping Carton Dims	36.6"W x 28.1"D x 4.3"H
Shipping Weight	52 lbs.
Assembly Required	Yes



**To Order, Call Your
Sales Representative
or 800-323-4656**