

GCP1

AC Port Plug With Extension Cord



NOCO

Accessories

Integrated Extension With Easy Installation.

Make a charging port, engine block, or garage outlet more accessible than ever before.

GCP1 is an **AC Port Plug** with an integrated extension cord that offers **optimal flexibility and ease of installation**. It works with any extension cord and **requires no cable modifications or hand wiring**. It has full-sized AC prongs for maximum conductivity and has a watertight rubberized cap. The cap's **low-profile** design seals against the surface of your boat, vehicle, engine block, equipment and more.



Watertight

GCP1 has a pressure-fit cap for a watertight seal, perfect for rugged applications and protecting the AC plug inside.



Plug-N-Play

No hand wiring or cable modification is required. Simply drill a 2" hole and secure with three screws.

16
AWG



Heavy Duty

The GCP1 is rated at 13A & 125V for peak performance and is made from durable, high-performance 16AWG wire.



Low-Profile

GCP1's sleek, ultra low-profile design integrates seamlessly on any vehicle application for charging access and more.

The NOCO Company
30339 Diamond Parkway, #102
Glenwillow, OH 44139 | USA
1.800.456.6626

no.co

NOCO
Since 1914

GCP1 Mounting Template & Product Measurements

Figure A

Scale 1:1

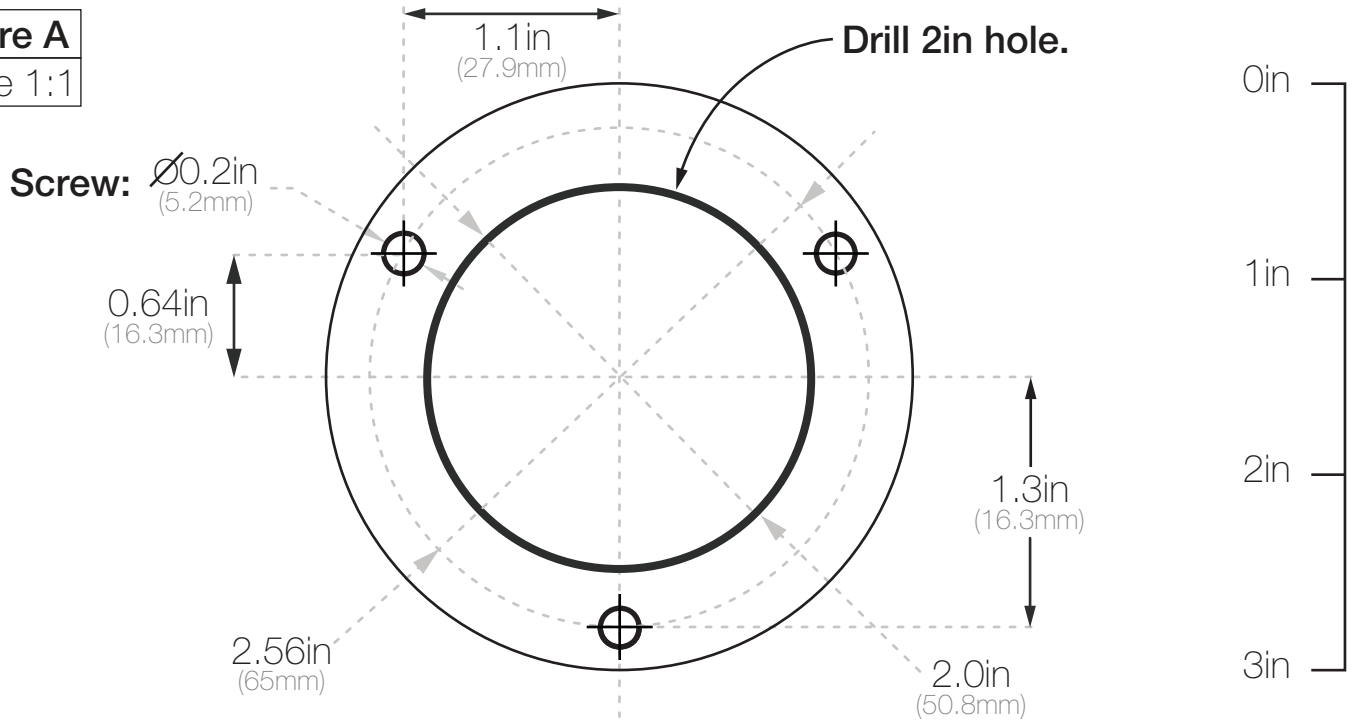


Figure B

Scale 1:2

