



**Dearborn®
Brass**

4675 W. 160th St.
Cleveland, Ohio 44135
Ph: (800) 321-9532
Fax: (800) 321-9535
www.dearbornbrass.com

SUBMITTAL SPECIFICATION

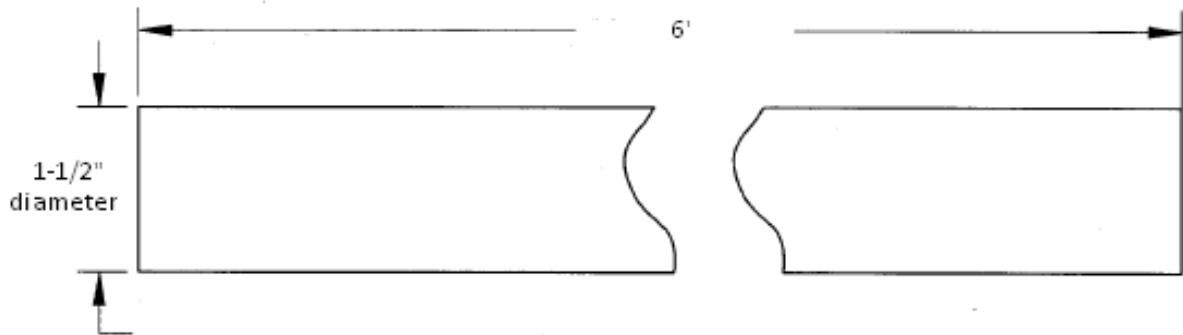
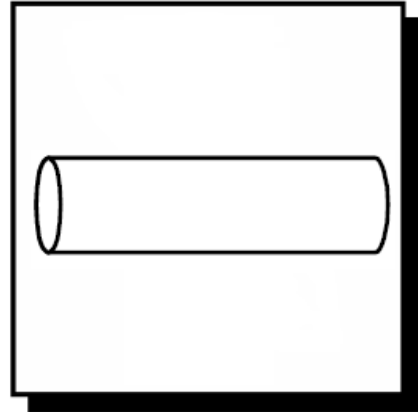
**BRASS TUBULAR
1-½" BULK BRASS TUBING**

Engineering Specification: Dearborn Brass 1-½" Bulk Brass Tubing can be used for tubular drain applications. Tubing measures 6' in length.

Job Reference

DESCRIPTION

- Chrome Finish
- 17 Gauge Brass



✓	Product No.	Description	Carton Quantity	Carton Weight (lbs)
	1142-1	1-½" x 6' Brass Tubing – 17 Gauge	1	5

Data is subject to manufacturing tolerances.