



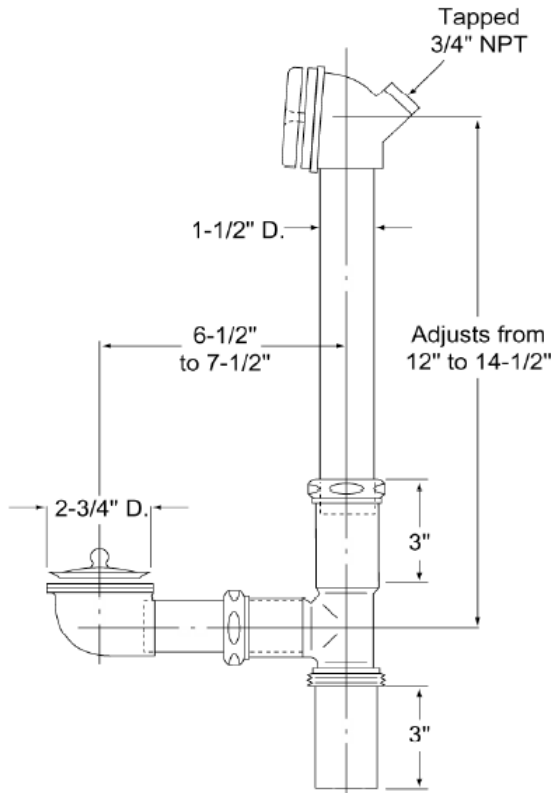
4675 W. 160th St.
Cleveland, Ohio 44135
Ph: (800) 321-9532
Fax: (800) 321-9535
www.dearbornbrass.com

SUBMITTAL SPECIFICATION

**BATH WASTE & OVERFLOW
BRASS TUBULAR FULL KIT
UNI-LIFT STOPPER WITH CONDENSATE ELBOW**

Engineering Specification: Dearborn Brass Bath Waste & Overflow Brass Tubular Full Kits are manufactured to strict industry standards. Full Kit contains waste and overflow assemblies and all pipe lengths required for assembly. Fits most 14" – 16" depth tubs.

Job Reference



- 1-½" Waste Shoe/Drain Assembly
- Made of 17 Gauge Brass
- Chrome Finish on exposed trim
- One Hole Face Plate

✓	Product No.	Description	Carton Quantity	Carton Weight (lbs)
	227C-3	Full Kit, 17 Gauge Brass Tubular Uni-Lift Stopper Mechanism with Condensate Elbow– Chrome Finish Trim	1	4.7

Data is subject to manufacturing tolerances.